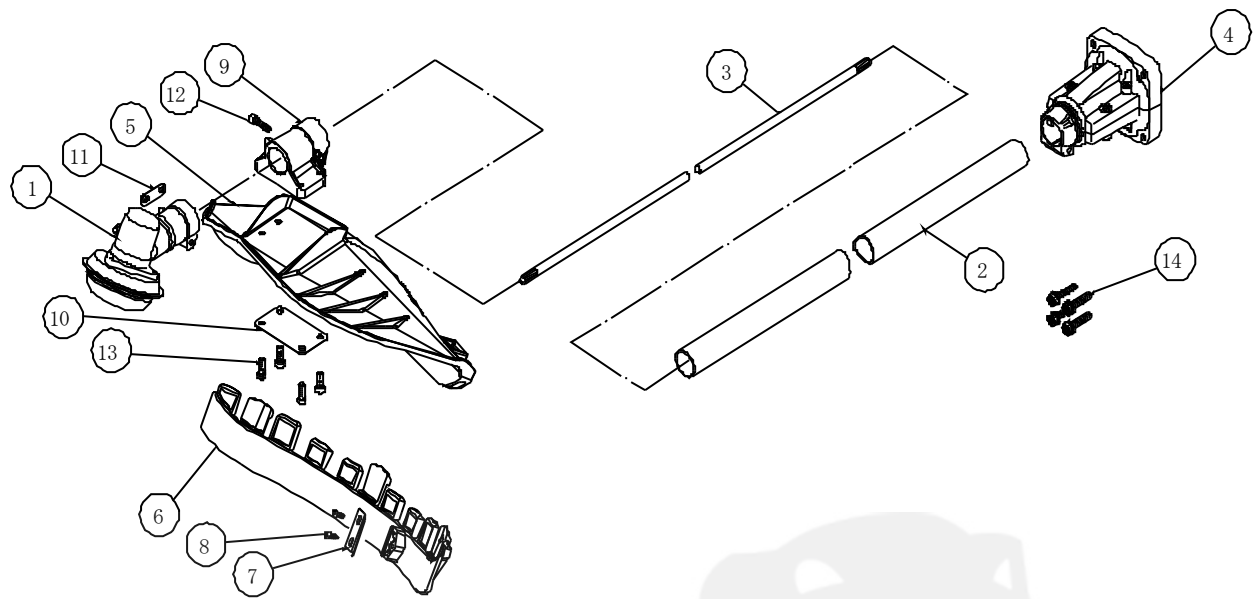
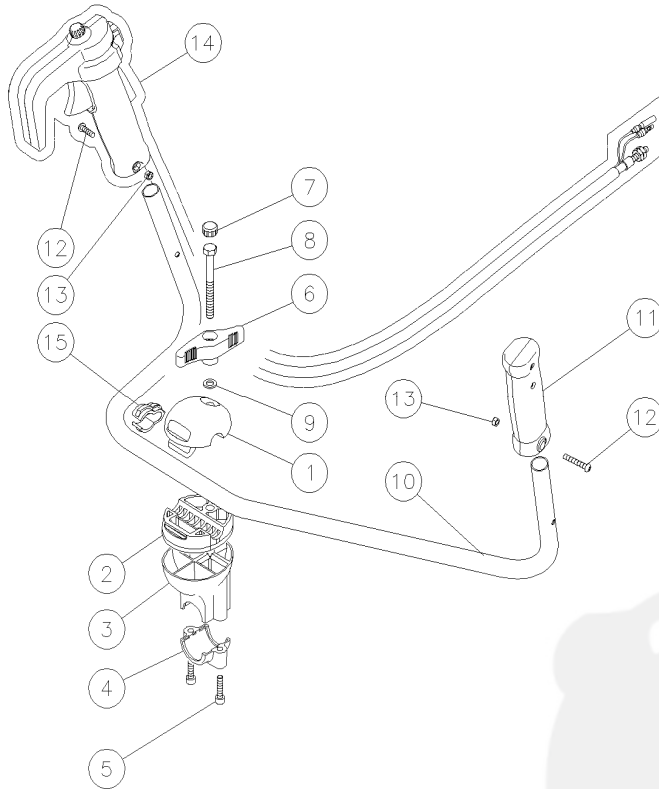


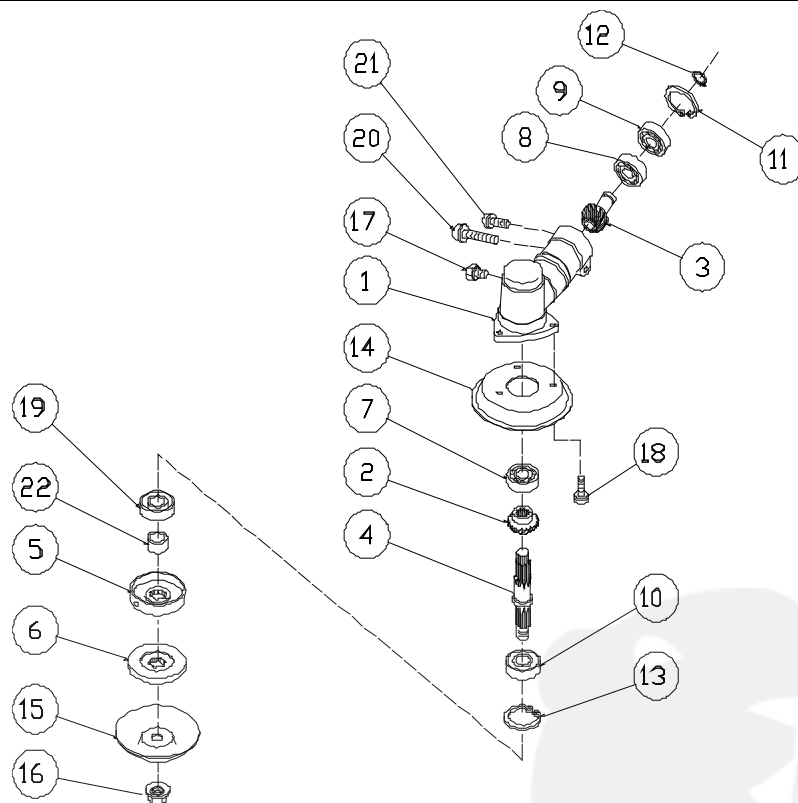
REF No.	CODE	NAME	QTY	REMARKS
1	800204416	SHAFT SET	1	26
2	800204417	HANDLE SET	1	W type
3	800200036	HANDLE DAMPER	1	for 26
4	801675723	WIRE GUIDE	2	for 26
5	801675710	HANGER STRAP STEM	1	for 26
6	800200001	SCREW	2	M6×12 (+)2P
7	801668671	HARNESS ASSY	1	Double belt
8	800200380	LABEL	1	178×35 PL
9	800204466	LABEL	1	106×20 CE08
10	800204456	LABEL	1	53×20 Model+dB
11	800201167	LABEL	1	143×29 MARUNAKA
12	800204464	LABEL	1	Φ20 Made in Japan
13	801688381	EYE PROTECTOR	1	
14	800200023	SPANNER	1	10×8
15	800200022	SPANNER	1	#4
16	800200042	SPANNER	1	#5
17	800200043	SPANNER	1	#6
18	800203745	SPANNER	1	16×19
19	800200111	CABLE ASSY	1	80mm
20	800200034	SCREW	1	M5×10(+)2P
21	800200511	PROTECTOR	2	1Set
22	801689082	BAG	1	82×60
23	800200025	BAG	1	118×168
24	800200026	BAG	1	370×270
25	800204407	MANUAL	1	A4



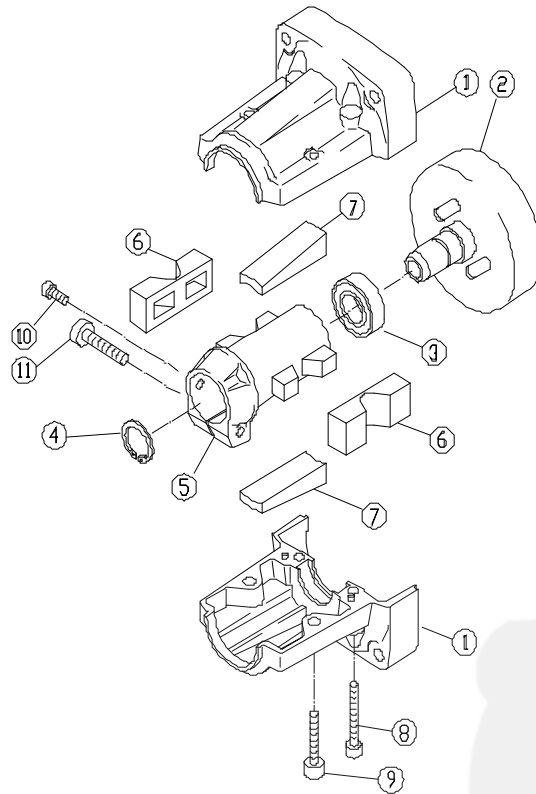
REF No.	CODE	NAME	QTY	REMARKS
1	801675707	GEAR CASE ASS'Y	1	for 26
2	801675708	DRIVE SHAFT HOUSING ASS'Y	1	$\phi 26 \times 1545$
2, 1	801675709	DRIVE SHAFT HOUSING	1	$\phi 26 \times t1.6 \times 1545$
2. 2	800203600	METAL CUSHION	6	M-6
2, 3	800200029	OIL METAL	6	$\phi 8 \times \phi 14 \times 10$
3	801666942	DRIVE SHAFT	1	$\phi 8 \times 1593$
4	800202421	CLUTCH CASE ASSY	1	for 26
5	800205017	800204579 SAFETY GUARD	1	RED
6	800201971	SAFETY GUARD	1	
7	800201972	CUTTER	1	$38 \times 31.7 \times t1$
8	800200460	SCREW	2	#4 \times 12 (+) 2P
9	800204577	SAFETY GUARD HOLDER	1	for 26
10	800204580	SAFETY GUARD HOLDER (PLATE)	1	$72 \times 40 \times t1.5$
11	801675703	CONNECTOR	1	$35 \times 12 \times t1.5$
12	800200012	CAP BOLT	1	M5 \times 20
13	800200013	CAP BOLT	4	M5 \times 16
14	800200035	BOLT	4	M6 \times 30 (+) 3P



REF No.	CODE	NAME	QTY	REMARKS
1	800203108	HANDLE HOLDER	1	
2	800203109	HANDLE HOLDER	1	
3	800200378	HANDLE HOLDER	1	
4	800200068	HANDLE HOLDER	1	
5	800200039	BOLT	2	
6	800200796	KNOB	1	
7	800202852	CAP	1	
8	800203111	BOLT	1	
9	800200091	WASHER	1	
10	800200792	HANDLE	1	
11	801676713	GRIP ASSY	1	
12	800203739	SCREW	2	M5×30(+/-)
13	800201048	NUT	2	M5
14	801695881	THROTTELE LEVER ASSY	1	
15	801675722	WIRE GUIDE	1	for 19



REF No.	CODE	NAME	QTY	REMARKS
	801675707	GEAR CASE ASS'Y	1	for 26
1	801676365	GEAR CASE	1	for 26
2	801676366	BEVEL GEAR	1	
3	801676367	PINION	1	
4	801676368	GEAR SHAFT	1	
5	801676369	HOLDER (A)	1	
6	801676370	HOLDER (B)	1	
7	800045020	BEARING	1	6000
8	800045020	BEARING	1	6000
9	800045500	BEARING	1	6000Z
10	801676371	BEARING	1	6201
11	800083160	STOP RING	1	26
12	800082010	STOP RING	1	10
13	800083190	STOP RING	1	32
14	801676372	GEAR CASE COVER	1	$\phi 40 \times \phi 88$
15	801676373	NUT COVER	1	$\phi 10 \times \phi 73$
16	801676374	NUT	1	M10 \times 1.25
17	800010505	BOLT	1	M6 \times 8
18	801676360	SCREW	3	M4 \times 8(+) 2P
19	801676375	OIL SEAL	1	TC17327
20	801676376	CAP BOLT	1	M6 \times 28 2P
21	801676363	CAP BOLT	1	M5 \times 10 2P
22	801676364	COLLAR	1	$\phi 12 \times \phi 17 \times 9.5$



REF No.	CODE	NAME	QTY	REMARKS
	800202421	CLUTCH CASE ASSY	1	for 26
1	800202144	CLUTCH HOUSING	1	94.35×92×46
2	801688365	CLUTCH DRUM	1	φ 78
3	800200004	BEARING	1	6002ZZ
4	800200006	STOP RING	1	S-15
5	800202145	CLUTCH HOUSING HOLDER	1	for 26
6	801693572	HOUSING DAMPER	2	20×50×13
7	801652258	HOUSING DAMPER	2	
8	800200032	CAP BOLT	2	M5×30
9	800200033	CAP BOLT	2	M6×25
10	800200034	SCREW	1	M5×10 (+)2P
11	800200035	BOLT	1	M6×30 (+)3P