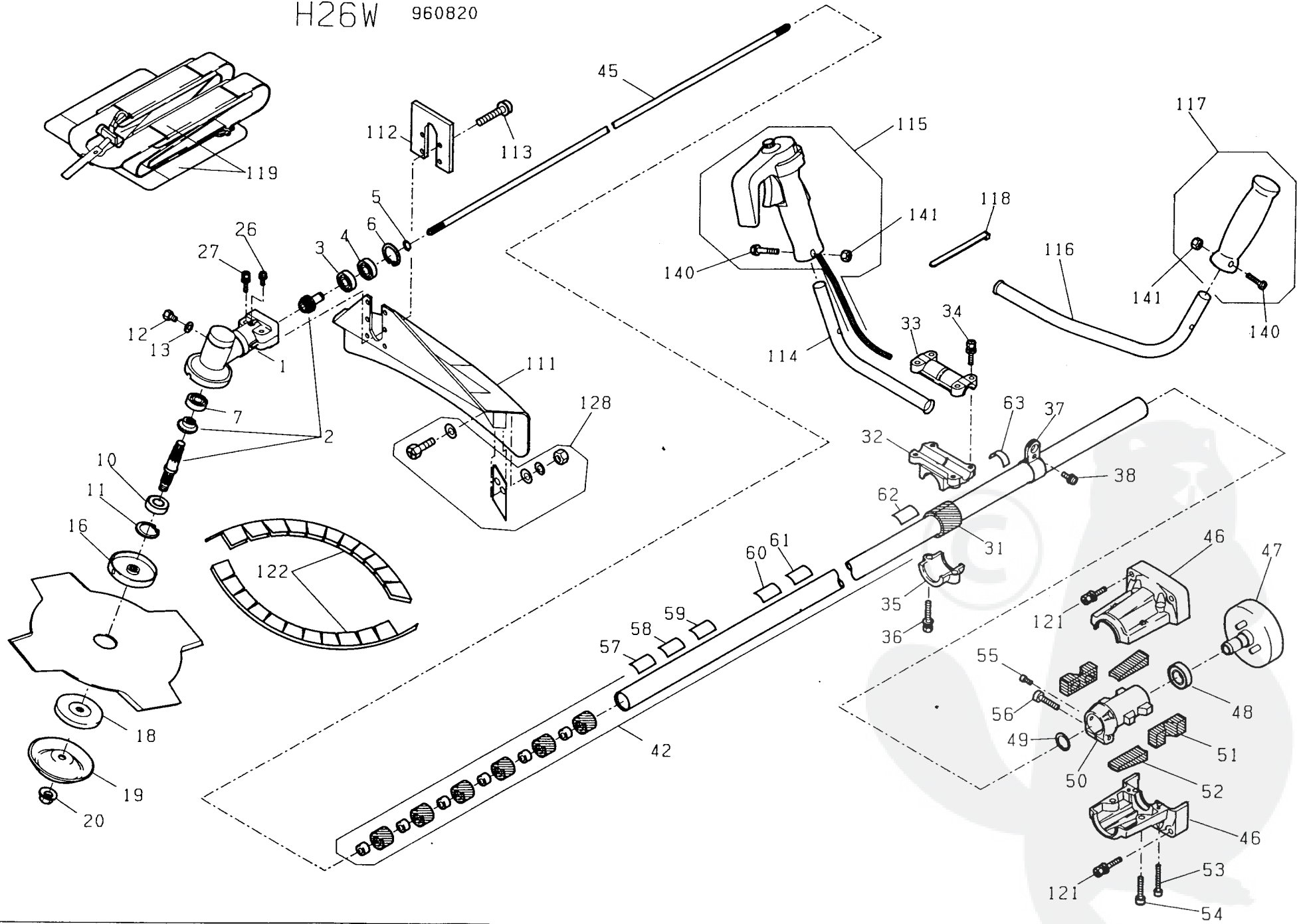


H26W 960820



MA3A-MA33-MA43

No.	CODE No.	NAME	QTY	REMARKS	
				SIZE	ORIGINAL MODEL
1-27	1666939	GEAR CASE ASS'Y	1		
1	1656235	GEAR CASE	1		
2	1667120	GEAR ASS'Y	1		
3	0045020	PINION BEARING	1		F-4
4	0045500	PINION BEARING	1		F-4
5	0082010	STOP RING	1		F-4
6	0083160	STOP RING	1		F-4
7	0045020	GEAR BEARING	1		F-5
10	0047010	SHAFT BEARING	1		F-4
11	0083170	STOP RING	1		F-4
12	0011000	OIL HOLE BOLT	1	M8 × 10	
13	1664754	OIL HOLE PACKING	1		F-5
16	1666917	HOLDER CUTTER	1		F-4
18	1666918	CAP CUTTER	1		
19	1650957	STABILIZER	1		F-5
20	1666919	BLADE NUT	1	M10 LEFT	
26	0024210	SCREW	1	M5 × 10	
27	0018120	BOLT	1	M6 × 30	
31	2031070	HANDLE DAMPER	1		F-4
32	1665431	HANDLE HOLDER	1		
33	1665429	HANDLE HOLDER	1		
34	0018120	BOLT	4	M6 × 30	
35	1665433	HANDLE HOLDER	1		
36	0018120	BOLT	2	M6 × 30	
37	2011070	HANGER STRAP STEM	1		F-50(F-18)
38	0024420	SCREW	1	M6 × 12	
42	1667125	DRIVE SHAFT HOUSING ASS'Y	1		
45	1666942	DRIVE SHAFT	1		
46-56	1667113	CLUTCH HOUSING ASS'Y	1		F-50(F-18)
46	1667108	CLUTCH HOUSING	1		F-53(F-19)
47	2031000	CLUTCH DRUM	1		F-5
48	0046010	CLUTCH BEARING	1		F-5
49	0080610	STOP RING	1		F-5
50	1667109	CLUTCH HOUSING CORE	1		F-50(F-18)
51	1652132	HOUSING DAMPER	2		F-53(F-19)
52	1652258	HOUSING DAMPER	2		F-53(F-19)
53	1652142	HEX. SOCKET HEAD BOLT	2	M5 × 30	
54	1652141	HEX. SOCKET HEAD BOLT	2	M6 × 25	
55	0017180	BOLT	1	M5 × 12	
56	0018120	BOLT	1	M6 × 30	
57	1655770	LABEL	1		
58	3333015	LABEL	1		
59	1655765	LABEL	1		
60	1655768	LABEL	1		
61	1655769	LABEL	1		
63	1655772	LABEL	1		
111	1667117	SAFETY GUARD	1		
112	1666378	SAFETY GUARD HOLDER	1		
113	0018180	SCREW	4	M5 × 16	
114	1665791	HANDLE	1		
115	1655820	THROTTLE LEVER ASS'Y	1		
116	1665789	HANDLE	1		
117	1655825	HANDLE GRIP ASS'Y	1		
118	0080360	BAND	2		

No.	CODE No.	NAME	QTY	REMARKS	
				SIZE	ORIGINAL MODEL
119	1667187	HARNES ASS'Y	1		
121	0018120	BOLT	4	M6 × 30	
122	1666953	PROTECTOR	2		
123	1654104	WRENCH	1		F-5
124	1654103	SPANNER	1	10 × 8	
128	1665880	BLADE ASS'Y	1		
140	1655775	BOLT	2	M5 × 30	
141	0030080	NUT	2	M5	

s.a. de SAINT HUBERT n.v.
 Sint-Truidensesteenweg 252
 3300 - TIENEN
 Tél. (016) 81 27 72
 Fax (16) 81 27 76
 TVA 436 131 202

Stelting

MA3A - MA33 - MA43