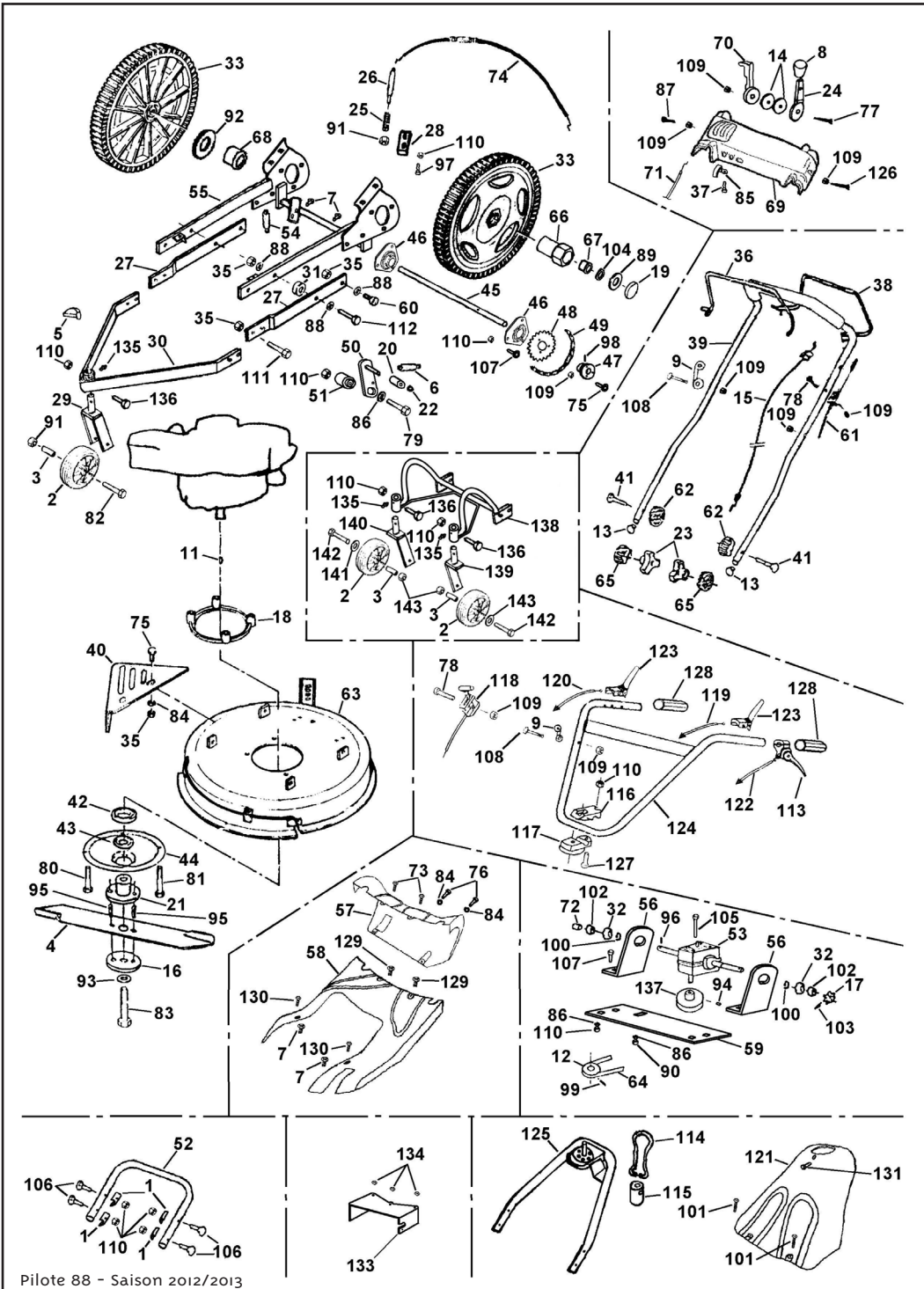


D501 - D502 - D512 - DP512 - D552 - DP552



D501 - D502 - D512 - DP512 - D552 - DP552

Rep	Référence	Désignation	Part name	Abzeichnung	Descrizione	Designacion	Designaço	Onderdeel	B&S	Honda
1	19943	Rondelle	Washer	Scheibe	Rondella	Arandela	Anilha	Ring	4	4
2	30601	Roue	Rad	Rueda	Rueda	Rueda	Rueda	Wheel	1	1
3	30602	Entretoise	Distanzstück	Distanzstück	Distanziale	Separadore	Separador	afstandsstuk	1	1
4	31461	Lame 51 cm	Blade 51 cm	Lama 51 cm	Cuchilla 51 cm	Lamina 51 cm	Lamina 51 cm	Mes 51 cm	1	1
5	79993	Goupille	Pin	Spina	Spina	Pin	Pin	Lamina 51 cm	1	1
6	33398	Passador	Pin	Molla	Molla	Pin	Pin	Veer	1	1
7	33766	Ecrou à serrer	Nut	Mutter	Mutter	Tuerca	Porca	Moer	4	4
8	43151	Capuchon	Plug knob	Verschluß	Tappo	Tapon plastica	Calote	Dop	1	1
9	43159	Führung	Guide	Guida	Guida	Guia	Guia	Onderstel	1	1
10	46006	Vis	Screw	Schraube	Tornillo	Parafuso	Schroef	Schroef	2	2
11	46049	Clavette	Key	Chiavetta	Chiavetta	Parafuso	Parafuso	Pin	2	2
12	46086	Poulie motrice	Pulley	Treibscheibe	Puleggia	Polia	Polia	Reim	1	1
13	4718	Bouchon	Plastic plug	Otturatore	Tapon	Obturator	Anilha	Plug	2	2
14	47140	Rondelle	Washer	Scheibe	Rondella	Arandela	Anilha	Ring	2	2
15	47477	Timonerie FM (D)	Clutch control	Gestange	Commando	Manillar	Manillar	Koppelingstang	1	1
16	71097	Rondelle	Washer	Scheibe	Commando	Manillar	Manillar	Koppelingstang	1	1
17	71409	Ripron	Pinion	Ritzi	Ingranaggio	Pino	Pino	Rondel	1	1
18	71132	Entretoise	Spacer	Distanzstück	Distanziale	Separadore	Separador	afstandsstuk	1	1
19	71134	Enjolonneur	Clip	Seeger	Seeger	Clip	Clavete	Calotte	1	1
20	71136	Galet	Roller	Ruolina	Ruolina	Polia tensora	Polia tensora	Rofo de came	1	1
21	71149	Moyeu D. 22,2 mm	Hub	Nabe	Moza	Eje	Eje	Mesaf	1	1
22	71378	Nabe	Hub	Nabe	Moza	Eje	Eje	Mesaf	1	1
23	71396	Rondelle	Washer	Scheibe	Rondella	Arandela	Anilha	Ring	1	1
24	72593	Schraube	Screw	Schraube	Tornillo	Parafuso	Schroef	Schroef	1	1
25	72595	Lever	Hebel	Leva	Alavanca	Alavanca	Alavanca	Koppelingsgreep	1	1
26	72596	Resort	Feder	Feder	Muelle	Muelle	Muelle	Veer	1	1
27	72597	Châssis	Chassis	Chassis	Chassis	Chassis	Chassis	Chassis	1	1
28	72598	Barre d'indexage	Indexing bar	Barra de chasis	Barra de chasis	Barra de chasis	Barra de chasis	Barra de chasis	1	1
29	72599	Abdeckung sporn	Support	Supporto	Supporto	Supporto	Supporto	Supporto	2	2
30	72544	Fourche	Fork	Träger	Supporto	Supporto	Supporto	Supporto	1	1
31	72547	Berceau	Fork support	Träger	Supporto	Supporto	Supporto	Supporto	1	1
32	72548	Entretoise	Spacer	Distanzstück	Distanziale	Separadore	Separador	afstandsstuk	1	1
33	72549	Pallier	Bearing	Kugellager	Cuscinetto	Rodamiento	Rodamiento	Kopplager	2	2
34	72550	Roue	Wheel	Rueda	Rueda	Rueda	Rueda	Wheel	2	2
35	72551	Ecrou	Nut	Mutter	Tuerca	Porca	Moer	Moer	2	2
36	72552	Timonerie FM	Clutch control	Gestange	Commando	Manillar	Manillar	Koppelingstang	1	1
37	72553	Vis	Screw	Schraube	Tornillo	Parafuso	Schroef	Schroef	9	9
38	72554	Poignée d'embrayage	Clutch lever	Kuppelhebel	Empaparadura	Empaparadura	Empaparadura	Koppelingsgreep	1	1
39	72555	Handelaar	Clutch lever	Kuppelhebel	Empaparadura	Empaparadura	Empaparadura	Koppelingsgreep	1	1
40	72556	Endmünder	Deflector	Ablenklech	Mamico	Manillar	Manillar	Deflector	1	1
41	72557	Vis	Screw	Schraube	Tornillo	Parafuso	Schroef	Schroef	2	2
42	030.6207.2	Roulement	Bearing	Kugellager	Cuscinetto	Rodamiento	Rodamiento	Kopplager	1	1
43	16625	Joint	Seal	Wellendichtung	Anello	Junta	Junta	Dichtung	1	1
44	71133	Carter système palier	Casing	Carter	Carter	Carter	Carter	Carter	1	1
45	72540	Arbre	Axle	Achse	Axina	Arbol	Arbol	Las	1	1
46	72541	Pallier	Bearing	Kugellager	Cuscinetto	Rodamiento	Rodamiento	Kopplager	1	1
47	72542	Moyeu	Hub	Nabe	Moza	Eje	Eje	Mesaf	1	1
48	72543	Disque	Disc	Disco	Disco	Disco	Disco	Disco	1	1
49	72544	Chaîne D512-DP512	Chain	Kette	Catena	Corrente	Corrente	Ketting	1	1
50	72545	Chaîne D512-DP512	Chain	Kette	Catena	Corrente	Corrente	Ketting	1	1
51	72546	Bras de galet	Support	Vormrichtung	Soporte	Soporte	Soporte	Brac de rolo	1	1
52	72547	Douille	Spacer	Distanzstück	Distanziale	Separadore	Separador	afstandsstuk	1	1
53	72548	Guidon inférieur	Handlebar	Lenker	Manillar	Manillar	Manillar	Stuurstang	1	1
54	72549	Boîte de transmission	Gear box	Getriebe	Reduttore	Reduttore	Reduttore	Reductor	1	1
55	72550	Ressort	Spring	Feder	Molla	Muelle	Muelle	Veer	1	1
56	72551	Chassis	Chassis	Chassis	Chassis	Chassis	Chassis	Chassis	1	1
57	72552	Support	Support	Supporto	Supporto	Supporto	Supporto	Supporto	2	2
58	72553	Capot arrière	Cover	Haube	Coperchio	Capo	Capo	Kap	1	1
59	72554	Capot courroie	Cover	Haube	Coperchio	Capo	Capo	Kap	1	1
60	72555	Plaque	Support	Träger	Supporto	Supporto	Supporto	Supporto	1	1
61	202.10.30	Vis	Screw	Schraube	Tornillo	Parafuso	Schroef	Schroef	4	4
62	71277	Timonerie d'embrayage (D)	Clutch control	Gestange	Commando	Manillar	Manillar	Koppelingstang	1	1
63	71278	Rosace D. 22,5	Serrated rose	Formegezahnte rosette	Reglaje	Roseta estrada	Gefärdtele rozet	Carter	2	2
64	71279	Coque 55 cm	Carte	Scocca	Carter	Carter	Carter	Carter	1	1
65	71280	Coque 55 cm	Carte	Scocca	Carter	Carter	Carter	Carter	1	1
66	71281	Courroie	Belt	Riemen	Cinghia	Correa	Correa	Riem	1	1
67	71282	Rosace D. 25,5	Serrated rose	Formegezahnte rosette	Reglaje	Roseta estrada	Gefärdtele rozet	Carter	1	1
68	71283	Moyeu	Hub	Nabe	Moza	Eje	Eje	Mesaf	2	2
69	71284	Roue libre	Wheel	Rueda	Rueda	Rueda	Rueda	Wheel	2	2
70	71285	Entretoise	Spacer	Distanzstück	Distanziale	Separadore	Separador	afstandsstuk	2	2
71	71286	Tableau de bord	Control panel	Instrumententafel	Cuscetto	Tablao de mandos	Schokepanel	Koppelingsgreep	1	1
72	71287	Cable d'accélération (D)	Throttle control	Gashebelgestange	Commando	Manillar	Manillar	Koppelingstang	1	1
73	71288	Vis	Screw	Schraube	Tornillo	Parafuso	Schroef	Schroef	1	1
74	71289	Vis	Screw	Schraube	Tornillo	Parafuso	Schroef	Schroef	2	2
75	203.6.16	Vis	Screw	Schraube	Tornillo	Parafuso	Schroef	Schroef	5	5
76	203.6.30	Vis	Screw	Schraube	Tornillo	Parafuso	Schroef	Schroef	2	2
77	203.6.35	Vis	Screw	Schraube	Tornillo	Parafuso	Schroef	Schroef	2	2
78	203.6.45	Vis	Screw	Schraube	Tornillo	Parafuso	Schroef	Schroef	2	2
79	203.8.10	Vis	Screw	Schraube	Tornillo	Parafuso	Schroef	Schroef	2	2
80	203.8.80	Vis	Screw	Schraube	Tornillo	Parafuso	Schroef	Schroef	2	3
81	203.8.10	Vis	Screw	Schraube	Tornillo	Parafuso	Schroef	Schroef	1	0
82	203.10.85	Vis	Screw	Schraube	Tornillo	Parafuso	Schroef	Schroef	1	1
83	003.924257	Rondelle	Washer	Scheibe	Rondella	Arandela	Anilha	Ring	1	1
84	208.1L6U	Rondelle	Washer	Scheibe	Rondella	Arandela	Anilha	Ring	1	1
85	208.1L6U	Rondelle	Washer	Scheibe	Rondella	Arandela	Anilha	Ring	1	1
86	208.1L6U	Rondelle	Washer	Scheibe	Rondella	Arandela	Anilha	Ring	1	1
87	208.1L6U	Rondelle	Washer	Scheibe	Rondella	Arandela	Anilha	Ring	1	1
88	208.1L6U	Rondelle	Washer	Scheibe	Rondella	Arandela	Anilha	Ring	1	1
89	208.1L6U	Rondelle	Washer	Scheibe	Rondella	Arandela	Anilha	Ring	1	1
90	208.1L6U	Rondelle	Washer	Scheibe	Rondella	Arandela	Anilha	Ring	1	1
91	208.1L6U	Rondelle	Washer	Scheibe	Rondella	Arandela	Anilha	Ring	1	1
92	208.1L6U	Rondelle	Washer	Scheibe	Rondella	Arandela	Anilha	Ring	1	1
93	208.1L6U	Rondelle	Washer	Scheibe	Rondella	Arandela	Anilha	Ring	1	1
94	013.5.40	Goupille	pin	Spina	Spina	Pin	Pin	Pin	1	1
95	013.5.40	Goupille	pin	Spina	Spina	Pin	Pin	Pin	1	1
96	013.5.40	Goupille	pin	Spina	Spina	Pin	Pin	Pin	1	1
97	208.1L6U	Rondelle	Washer	Scheibe	Rondella	Arandela	Anilha	Ring	1	1
98	013.5.40	Goupille	pin	Spina	Spina	Pin	Pin	Pin	1	1
99	024.8.15	Vis	Screw	Schraube	Tornillo	Parafuso	Schroef	Schroef	1	1
100	024.8.15	Vis	Screw	Schraube	Tornillo	Parafuso	Schroef	Schroef	1	1
101	208.6.35	Roulement	Bearing	Kugellager	Cuscinetto	Rodamiento	Rodamiento	Kopplager	2	2
102	013.1.20	Goupille	pin	Spina	Spina	Pin	Pin	Pin	2	2
103	013.1.20	Goupille	pin	Spina	Spina	Pin	Pin	Pin	2	2
104	013.1.20	Goupille	pin	Spina	Spina	Pin	Pin	Pin	2	2
105	208.1L6U	Rondelle	Washer	Scheibe	Rondella	Arandela	Anilha	Ring	1	1
106	208.1L6U	Rondelle	Washer	Scheibe	Rondella	Arandela	Anilha	Ring	1	1
107	208.1L6U	Rondelle	Washer	Scheibe	Rondella	Arandela	Anilha	Ring	1	1
108	208.1L6U	Rondelle	Washer	Scheibe	Rondella	Arandela	Anilha	Ring	1	1
109	208.1L6U	Rondelle	Washer	Scheibe	Rondella	Arandela	Anilha	Ring	1	1
110	208.1L6U	Rondelle	Washer	Scheibe	Rondella	Arandela	Anilha	Ring	1	1
111	208.1L6U	Rondelle	Washer	Scheibe	Rondella	Arandela	Anilha	Ring	1	1
112	208.1L6U	Rondelle	Washer	Scheibe	Rondella	Arandela	Anilha	Ring	1	1
113	208.1L6U	Rondelle	Washer	Scheibe	Rondella	Arandela	Anilha	Ring	1	1
114	30993	Hebel	Lever	Leva	Alavanca	Alavanca	Alavanca	Koppelingsgreep	1	1
115	3101	Ecrou	Nut	Mutter	Tuerca	Porca	Moer	Moer	1	1
116	3102	Support	Support	Supporto	Supporto	Supporto	Supporto	Supporto	1	1
117	3103	Support	Support	Supporto	Supporto	Supporto	Supporto	Supporto	1	1
118	3104	Support	Support	Supporto	Supporto	Supporto	Supporto	Supporto	1	1
119	3105	Support	Support	Supporto	Supporto	Supporto	Supporto	Supporto	1	1
120	71281	Timonerie FM (DP)	Clutch control	Gestange	Commando	Manillar	Manillar	Koppelingstang	1	1
121	71282	Timonerie d'embrayage (DP)	Clutch control	Gestange	Commando	Manillar	Manillar	Koppelingstang	1	1
122	71283	Manchon supérieur	Lever	Leva	Alavanca	Alavanca	Alavanca	Koppelingsgreep	1	1
123	71284	Manchon inférieur	Lever	Leva	Alavanca	Alavanca	Alavanca	Koppelingsgreep	1	1
124	71285	Vis	Screw	Schraube	Tornillo	Parafuso	Schroef	Schroef	2	2
125	71286	Vis	Screw	Schraube	Tornillo	Parafuso	Schroef	Schroef	2	2
126	208.6.45	Vis	Screw	Schraube	Tornillo	Parafuso	Schroef	Schroef	2	2
127	208.6.45	Vis	Screw	Schraube	Tornillo	Parafuso	Schroef	Schroef	2	2
128	208.6.45	Vis	Screw	Schraube	Tornillo	Parafuso	Schroef	Schroef	2	2
129	208.6.45	Vis	Screw	Schraube	Tornillo	Parafuso	Schroef	Schroef	2	2
130	208.6.45	Vis	Screw	Schraube	Tornillo	Parafuso	Schroef	Schroef	2	2
131	208.6.45	Vis	Screw	Schraube	Tornillo	Parafuso	Schroef	Schroef	2	2
132	208.6.45	Vis	Screw	Schraube	Tornillo	Parafuso	Schroef	Schroef	2	2
133	208.6.45	Vis	Screw	Schraube	Tornillo	Parafuso	Schroef	Schroef	2	2
134	013.5.40	Goupille	pin	Spina	Spina	Pin	Pin	Pin	1	1
135	013.5.40	Goupille	pin	Spina	Spina	Pin	Pin	Pin	1	1
136	013.5.40	Goupille	pin	Spina	Spina	Pin	Pin	Pin	1	1
137	013.5.40	Goupille	pin	Spina	Spina	Pin	Pin	Pin	1	1
138	013.5.40	Goupille	pin	Spina	Spina	Pin	Pin	Pin	1	1
139	013.5.40	Goupille	pin	Spina	Spina	Pin	Pin	Pin	1	1
140	013.5.40	Goupille	pin	Spina	Spina	Pin	Pin	Pin	1	1
141	013.5.40</									