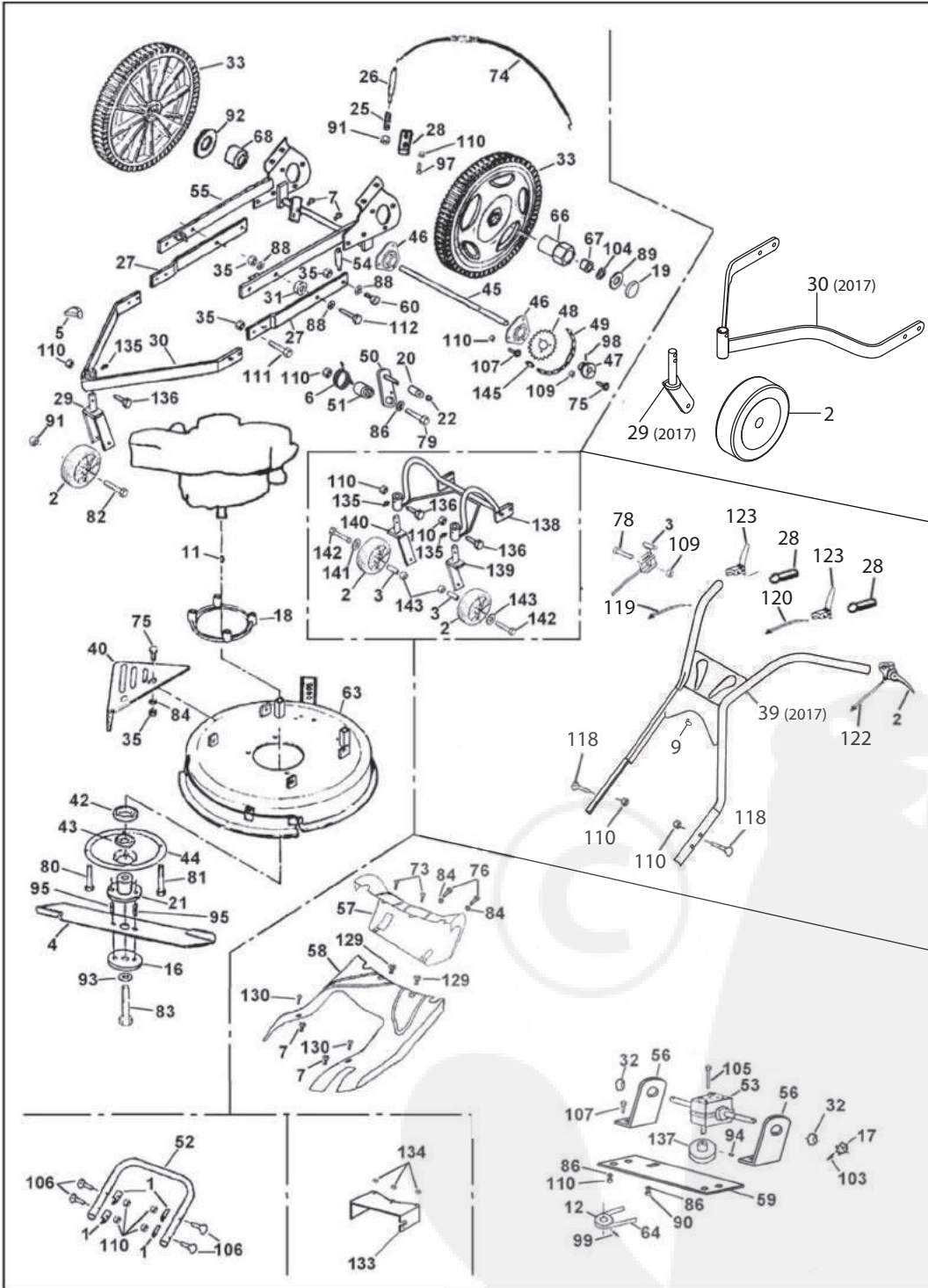


D503 - D514 - D554



D500 - D503 - D514 - D554

Rep	Référence	Désignation	Partname	Bezeichnung	Descrizione	Designacion	Designação	Onderdeel	B&S	Honda
1	19943	Rondelle	Washer	Scheibe	Rondella	Arandela	Anilha	Ring	4	4
2	30601	Roue	Wheel	Rad	Ruota	Rueda	Roda	Wiel	1	1
3	38093	Cable accélérateur	Throttle control	Gashebelgestange	Commando	Variiljarije	Commando	Koppellingsstang	1	1
4	31461	Lame 51 cm	Blade 51 cm	Klingenmesser 51 cm	Lama 51 cm	Cuchilla 51 cm	Lamina 51 cm	Mes 51 cm	1	1
5	72992	Lame 53 cm	Blade 53 cm	Klingenmesser 53 cm	Lama 53 cm	Cuchilla 53 cm	Lamina 53 cm	Mes 53 cm	1	1
6	31493	Goupille	Pin	Splint	Spina	Pasador	Pino	Pin	1	1
7	75334	Bessort	Spring	Feder	Molla	Muelle	Mola	Veer	1	1
8	33766	Ecrou à sertir	Nut	Mutter	Dado	Tuerca	Porca	Moer	4	4
9	43159	Arrêt de corde	Guide	Führung	Guida	Guía	Porca	Onderstel	1	1
10	46006	Vis	Screw	Schraube	Vite	Tornillo	Parafuso	Schroef	2	2
11	46049	Clavette	Key	Schlüssel	Chiavetta	Clavija	Clavija	Pin	1	1
12	46086	Poulie motrice	Pulley	Treibscheibe	Puleggia	Polea	Polia	Riem	1	1
16	71097	Rondelle	Washer	Scheibe	Rondella	Arandela	Anilha	Ring	1	1
17	75540	Pignon	Pinion	Ritzai	Ingranaggio	Cinghia	Pinhao	Rondsel	1	1
18	71132	Entrotoise	Spacer	Distanzstück	Distanziale	Separadore	Separador	afstandsstuk	1	1
19	71134	Enjiveur	Clip	Seeger	Seeger	Clrip	Calotte	Wielkap	2	2
20	75573	Galet	Roller	Laverde	Ruotina	Poleatensora	Rolode came	Rol	1	1
21	71149	Moyeu D.22.2 mm - Ht 64	Hub	Nabe	Moza	Eje	Cubade lamina	Mesnaaf	1	1
22	75378	Moyeu D.22.2 mm - Ht 73	Hub	Nabe	Moza	Eje	Cubade lamina	Mesnaaf	1	1
23	75322	Rondelle	Washer	Scheibe	Rondella	Arandela	Anilha	Ring	1	1
24	71396	Bouton	Nut	Schraube	Dado	Tuerca	Porca	Moer	2	2
25	75565	Bessort	Spring	Feder	Molla	Muelle	Mola	Veer	1	1
26	75564	Doigt d'indexage	Axle	Achse	Nottolino di divisione	Claviza indicadora	Cavilha deimobilizaçao	Indexvinger	1	1
27	72530D503/D554	Barre de chassis	Crossbar	Chassisstang	Barra di telaio	Barra de chassiss	Barra de chassiss	Framebalk	2	2
28	75594 D514	Barre de chassis	Crossbar	Chassisstang	Barra di telaio	Barra de chassiss	Barra de chassiss	Framebalk	2	2
29	75562	Chappe d'indexage	Abdeckung sporn	Abdeckung sporn	Supporte	Supporte	Junta de forquilha	Juk	1	1
30	72544	Fourche	Fork	Radgäbe	Supporto	Soporte	Forquilha	Vork	1	1
31	P755830 (2017)	Fourche	Fork	Radgäbe	Supporto	Soporte	Forquilha	Vork	1	1
32	72541	Berceau	Support	Träger	Supporto	Soporte	Armaçao	Onderstel	1	1
33	P755800 (2017)	Berceau	Support	Träger	Supporto	Soporte	Armaçao	Onderstel	1	1
34	72547	Entrotoise	Spacer	Distanzstück	Distanziale	Separadore	Separador	afstandsstuk	2	2
35	75538	Palier	Bearing	Kugellager	Cuscinetto	Rodamiento	Rodamento	Kopelager	2	2
36	72995	Roue	Wheel	Rad	Ruota	Rueda	Roda	Wiel	1	1
37	73271	Ecrou	Nut	Mutter	Dado	Tuerca	Porca	Moer	2	2
38	73276	Ecrou	Nut	Mutter	Dado	Tuerca	Porca	Moer	9	9
39	P755900 (2017)	Guidon	Handelbar	Manic	Manico	Manillar	Handgriep	Handgriep	1	1
40	73594	Andaineur plastique	Deflector	Ablenklech	Defletore	Defletore	Defletore	Deflector	1	1
41	21510	Andaineur tôle	Deflector	Ablenklech	Defletore	Defletore	Defletore	Deflector	1	1
42	030.6207.2	Roulement	Bearing	Kugellager	Cuscinetto	Rodamiento	Rodamento	Kopelager	1	1
43	16625	Joint	Seal	Wellendichtung	Anello	Junta	Junta	Dichtung	1	1
44	71133	Carter jéme palier	Casing	Carter	Carter	Carter	Carter	Carter	1	1
45	75550	Alfêre	Axle	Achse	Astina	Arbal	Elio	Las	2	2
46	75245	Palier	Bearing	Kugellager	Cuscinetto	Rodamiento	Rodamento	Kopelager	2	2
47	75246	Moyeu	Hub	Nabe	Moza	Eje	Cuba	Mesnaaf	1	1
48	75403	Disque	Disc	Kette	Disco	Disco	Disco	Disq	1	1
49	75512	Chaîne D503-D514	Chain	Kette	Catena	Cadena	Corrente	Ketting	1	1
50	75544	Am	Chain	Kette	Catena	Cadena	Corrente	Ketting	1	1
51	75534	Bas de galet	Arm	Vorrichtung	Supporto	Soporte	Braçac de olo	Rolarm	1	1
52	75251	Ouille	Spacer	Distanzstück	Distanziale	Separadore	Separador	afstandsstuk	1	1
53	75253	Guidon inférieur	Handelbar	Lenker	Manico	Manillar	Guiador	Stuurstang	1	1
54	75555	Bolide transmission	Gearbox	Getriebe	Riduttore	Riduttore	Riduttore	Reductor	1	1
55	75252	Ressort	Spring	Feder	Molla	Muelle	Mola	Veer	2	2
56	75568	Chassis	Chassis	Chassis	Telaio	Chasis	Chassis	Chassis	1	1
57	75537	Support	Träger	Support	Supporto	Soporte	Hevel	Stem	1	1
58	75575	Capot arrière	Cover	Haube	Coperchio	Capo	Cobertura	Kap	1	1
59	75262	Capot courroie	Cover	Haube	Coperchio	Capo	Cobertura	Kap	1	1
60	75270	Flaque	Support	Träger	Supporto	Soporte	Hevel	Stem	1	1
61	202.10.30	Vis	Screw	Schraube	Vite	Tornillo	Parafuso	Schroef	4	4
63	75569	Coque 51 cm	Carter	Carter	Scocca	Carter	Carter	Carter	1	1
64	75570	Coque 55 cm	Carter	Carter	Scocca	Carter	Carter	Carter	1	1
65	75281	Belt	Riemen	Hub	Cinghia	Correa	Correa	Riem	1	1
66	75293	Moyeu	Hub	Nabe	Moza	Eje	Cuba	Mesnaaf	2	2
67	75294	Rouelle	Wheel	Rad	Ruota	Rueda	Roda	Wiel	4	4
68	75295	Entrotoise	Spacer	Distanzstück	Distanziale	Separadore	Separador	afstandsstuk	1	1
73	226.6.20	Vis	Screw	Schraube	Vite	Tornillo	Parafuso	Schroef	2	2
74	75304	Timonerie d'indexage (D)	Control cable	Commando	Commando	Variiljarije	Commando	Koppellingsstang	1	1
75	203.6.16	Vis	Screw	Schraube	Vite	Tornillo	Parafuso	Schroef	5	5
76	203.6.30	Vis	Screw	Schraube	Vite	Tornillo	Parafuso	Schroef	2	2
77	203.6.35	Vis	Screw	Schraube	Vite	Tornillo	Parafuso	Schroef	2	2
78	203.6.45	Vis	Screw	Schraube	Vite	Tornillo	Parafuso	Schroef	2	2
79	203.6.40	Vis	Screw	Schraube	Vite	Tornillo	Parafuso	Schroef	1	1
80	203.8.80	Vis	Screw	Schraube	Vite	Tornillo	Parafuso	Schroef	2	3
81	203.8.110	Vis	Screw	Schraube	Vite	Tornillo	Parafuso	Schroef	1	0
82	203.10.85	Vis	Screw	Schraube	Vite	Tornillo	Parafuso	Schroef	1	1
83	003.952163	Vis	Screw	Schraube	Vite	Tornillo	Parafuso	Schroef	1	1
84	Z08L6U	Rondelle	Washer	Scheibe	Rondella	Arandela	Anilha	Ring	6	6
85	Z08L8N	Rondelle	Washer	Scheibe	Rondella	Arandela	Anilha	Ring	8	8
86	Z08L8N	Rondelle	Washer	Scheibe	Rondella	Arandela	Anilha	Ring	8	8
87	Z26.6.35	Vis	Screw	Schraube	Vite	Tornillo	Parafuso	Schroef	1	1
88	Z08.M10U	Rondelle	Washer	Scheibe	Rondella	Arandela	Anilha	Ring	4	4
89	Z08.220U	Rondelle	Washer	Scheibe	Rondella	Arandela	Anilha	Ring	2	2
90	Z11.6	Ecrou	Nut	Mutter	Dado	Tuerca	Porca	Moer	1	1
91	Z53.10	Ecrou	Nut	Mutter	Dado	Tuerca	Porca	Moer	1	1
92	Z08L20N	Rondelle	Washer	Scheibe	Rondella	Arandela	Anilha	Ring	1	1
93	Z12.10AZ	Rondelle	Washer	Scheibe	Rondella	Arandela	Anilha	Ring	1	1
94	013.5.40	Goupille	pin	splint	Spina	Pasador	pino	Pin	1	1
95	013.6.20	Goupille	pin	splint	Spina	Pasador	pino	Pin	2	2
97	Z26.8.25	Vis	Screw	Schraube	Vite	Tornillo	Parafuso	Schroef	2	2
98	013.6.30	Goupille	pin	splint	Spina	Pasador	pino	Pin	1	1
99	024.8.15	Vis	Screw	Schraube	Vite	Tornillo	Parafuso	Schroef	1	1
103	033.1.3.22	Goupille	pin	splint	Spina	Pasador	pino	Pin	1	1
104	034.202804	Joint	Seal	Wellendichtung	Anello	Junta	Junta	Dichtung	4	4
105	Z42.6.110	Vis	Screw	Schraube	Vite	Tornillo	Parafuso	Schroef	4	4
106	Z42.8.40CC	Vis	Screw	Schraube	Vite	Tornillo	Parafuso	Schroef	4	4
107	Z42.8.20CC	Vis	Screw	Schraube	Vite	Tornillo	Parafuso	Schroef	10	10
108	Z42.6.40	Vis	Screw	Schraube	Vite	Tornillo	Parafuso	Schroef	1	1
109	Z53.6	Ecrou	Nut	Mutter	Dado	Tuerca	Porca	Moer	7	7
110	Z53.8	Ecrou	Nut	Mutter	Dado	Tuerca	Porca	Moer	19	19
111	Z63.10.30	Vis	Screw	Schraube	Vite	Tornillo	Parafuso	Schroef	2	2
112	Z63.10.35	Vis	Screw	Schraube	Vite	Tornillo	Parafuso	Schroef	2	2
113	30933	Poignée	Lever	Hebel	Leva	Palanca	Alavanca	Koppellingsgreep	1	1
118	Q5TRC0850	Vis	Screw	Schraube	Vite	Tornillo	Parafuso	Schroef	1	1
119	73586	Timonerie d'indexage (DP)	Control cable	Commando	Commando	Variiljarije	Commando	Koppellingsstang	1	1
120	73585	Timonerie FM (DP)	Clutch control	Gestange	Commando	Variiljarije	Commando	Koppellingsstang	1	1
122	75279	Timonerie d'embrayage (DP)	Clutch control	Gestange	Commando	Variiljarije	Commando	Koppellingsstang	1	1
123	75282	Lever FM/indexage	Lever	Hebel	Leva	Palanca	Alavanca	Koppellingsgreep	2	2
126	Z26.6.45	Vis	Screw	Schraube	Vite	Tornillo	Parafuso	Schroef	1	1
128	16706	Poignée	Lever	Hebel	Leva	Palanca	Alavanca	Koppellingsgreep	2	2
129	75311	Ecrou à sertir	Nut	Mutter	Dado	Tuerca	Porca	Moer	2	2
130	Z26.6.20	Vis	Screw	Schraube	Vite	Tornillo	Parafuso	Schroef	2	2
133	75539	Tôle de protection	Cover	Haube	Coperchio	Capo	Cobuerta	Kap	1	1
134	Z11-4	Ecrou	Nut	Mutter	Dado	Tuerca	Porca	Moer	3	3
135	056-6-100	Graiséur	Schmierstelle	Schmierstelle	Vite	Puntode engrase	Puntode engrase	Smeergaant	3	3
136	Z26-8-30	Vis	Screw	Schraube	Vite	Tornillo	Parafuso	Schroef	3	3
137	71091	Poulie	Pulley	Treibscheibe	Puleggia	Polea	Polia	Riem	1	1
138	75416	Berceau	Support	Träger	Supporto	Soporte	Armaçao	Onderstel	1	1
139	75417	Fourche G	Fork	Radgäbe	Supporto	Soporte	Forquilha	Vork	1	1
140	75425	Fourche D	Fork	Radgäbe	Supporto	Soporte	Forquilha	Vork	1	1
141	Z08-112N	Rondelle	Washer	Scheibe	Rondella	Arandela	Anilha	Ring	2	2
142	Z03-12-90	Vis	Screw	Schraube	Vite	Tornillo	Parafuso	Schroef	2	2
143	Z53-12	Ecrou	Nut	Mutter	Dado	Tuerca	Porca	Moer	2	2
145	75407	Attache rapide	Quicklink	schnelle Verbindung	Linkrapido	Enlacedrapido	Ligaçãorapida	Snelkoppeling	1	1