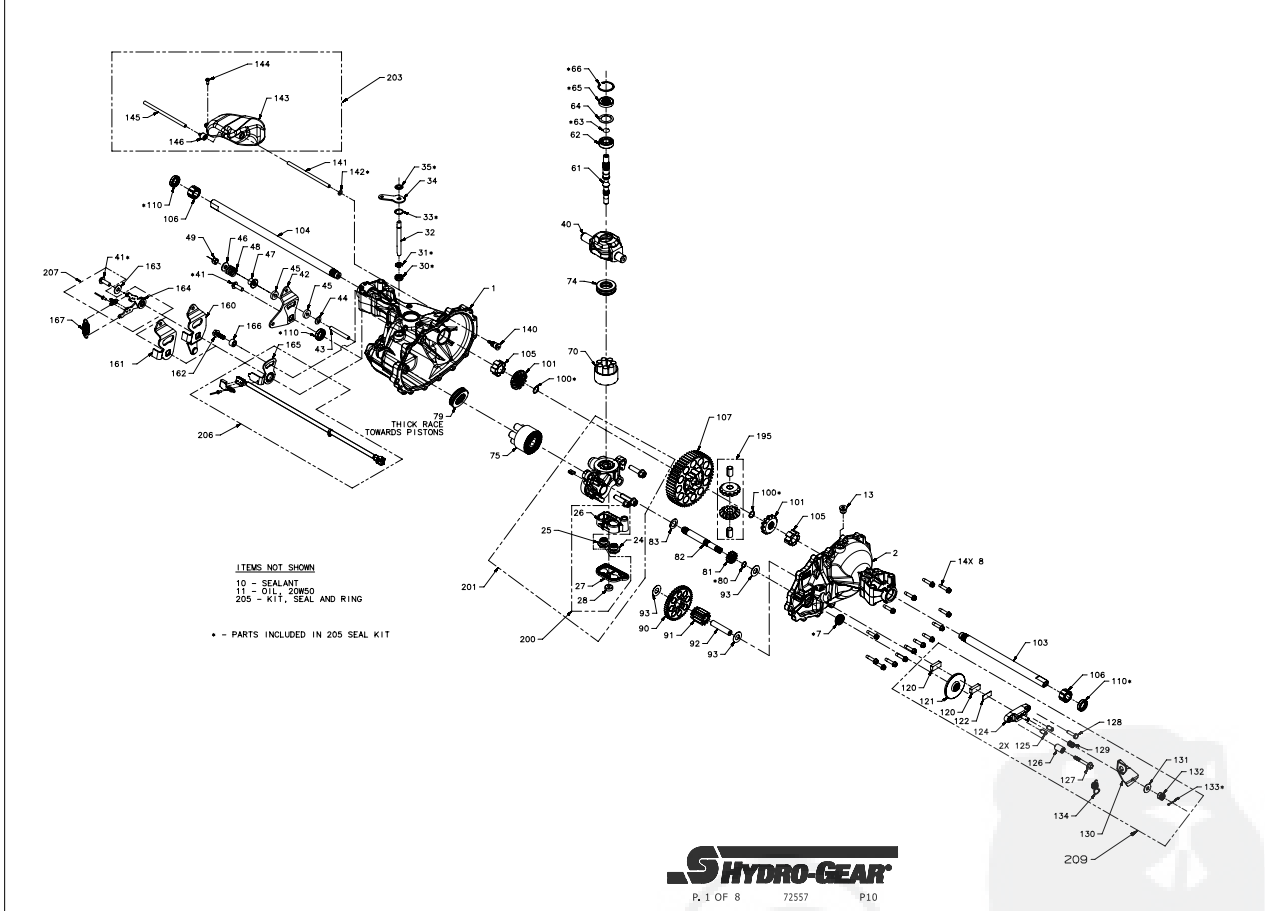


# T3-CHBF-2X3C-1TX4

## Service Schematic

NOTICE - PROPRIETARY INFORMATION: THIS SERVICE SCHEMATIC AND ITS CONTENTS ARE WHOLLY OWNED BY HYDRO-GEAR OF SULLIVAN, IL, AND MAY NOT BE USED, DISCLOSED, PUBLISHED OR REPRODUCED WITHOUT THE WRITTEN CONSENT OF HYDRO-GEAR.

### T3 SERVICE SCHEMATIC



## Service Schematic

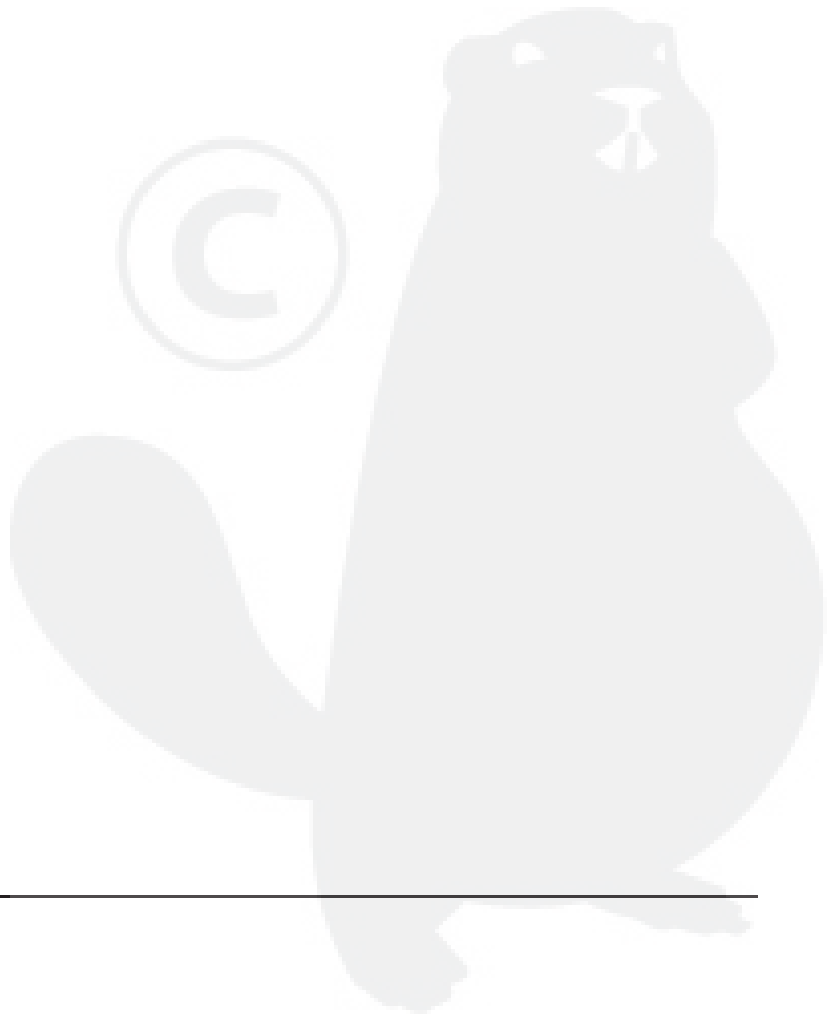
#	PART #	DESCRIPTION	QTY	Note
1	72316	KIT, HOUSING MAIN	1	
2	72317	KIT, HOUSING SIDE	1	
7	52820	SEAL .50 X 1.00 X .25 TC LIP	1	
8	53246	SCREW 1/4-20 X 1.125 HEX WASHER	13	
10	51186	SEALANT	0.007	
11	50006	20W-50 OIL	0.55	
13	9005110-5600	PLUG 9/16-18 METAL	1	
24	51084	CHK PLUG ASSY/WASHER,.027"	1	
25	51084	CHK PLUG ASSY/WASHER,.027"	1	
30	51626	SEAL .375 X .75 X .25 LIP	1	
31	51628	RING RET 37 EXT KLIPRING	1	
32	52459	ROD BYPASS .375 X 3.81	1	
33	51627	RING RET 75 INT	1	
34	52460	ARM, BYPASS	1	
35	51630	RING RET 37 EXT PUSH	1	
40	52450	SWASHPLATE TRUNNION	1	
41	51812	SCREW 5/16-24 X 1.00 TWHCS PATCH	1	
70	72228	KIT, BLOCK, 7 PISTON, 8CC	1	
74	52465	BEARING 28X47X14 BALL THRUST	1	
75	71971	KIT, BLOCK 12CC	1	
79	50551	BEARING 30X52X13 BALL THRUST	1	
80	44354	RING RET 50 EXT	1	
81	52466	GEAR, 13T	1	
82	52467	SHAFT MOTOR	1	
83	52468	WASHER .60 X 1.00 X .03 FLAT	1	
90	53372	GEAR, 48T/10T	1	
91	54240	GEAR, JACKSHAFT 10T	1	
92	51083	JACK SHAFT (PIN)	1	
93	50132	WASHER .51 X 1.10 X .03 FLAT	3	
100	44871	RING RET 62 EXT SPIRAL	2	
101	51769	GEAR, MITER 12T (SPLINED)	2	
103	53441	SHAFT .75 X 13.41 AXLE KEY	1	
104	53442	SHAFT .75 X 19.0 AXLE KEY	1	
105	52280	BUSHING, AXLE INBOARD	2	
106	52278	BUSHING, AXLE OUTBOARD	2	
107	54909	GEAR, 54T BULL	1	
110	53901	SEAL .75 X 1.125 X .25 LIP	3	
140	51143	FITTING 5/16 SAE, 5/32 TUBE	1	
141	52474	TUBE .16 X .28 X 5.5	1	
142	51144	O-RING -109 .103 X .299	1	
143	53758	TANK, EXPANSION	1	
144	52810	SCREW 10-32 X .50 SELF T	1	
145	52474	TUBE .16 X .28 X 5.5	1	
146	53759	CAP, BARBED VENT	1	
161	52478	ARM, CONTROL RTN	1	
162	51064	BOLT 5/16-24 X .94 HF (PATCH)	1	

# Service Schematic

#	PART #	DESCRIPTION	QTY	Note
163	44130	WASHER .34 X .88 X .06	2	
164	52611	ASSEMBLY, RTN BI-DIRECTIONAL	1	
165	52618	ARM, NEUTRAL ASSEMBLY	1	
166	52481	BUSHING .330 X .618 X .405	1	
167	52401	SPRING EXT .63 X 2.05	1	
176	9008000-0125	SEAL .50 X .88 X .25 LIP	1	
180	54012	SPRING CLIP - HOUSING THRUST	2	
192	53246	SCREW 1/4-20 X 1.125 HEX WASHER	1	
195	72314	KIT MITER GEAR PINS	1	
200	71553	KIT, FILTER	1	
201	72499	KIT CENTERSECTION W/FILTER	1	
205	71554	KIT, SEAL	1	
203	71549	KIT, EXPANSION TANK	1	
208	72787	KIT, INPUT SHAFT	1	
209	71892	KIT, BRAKE	1	
211	55056	CLAMP, CAM		[1]

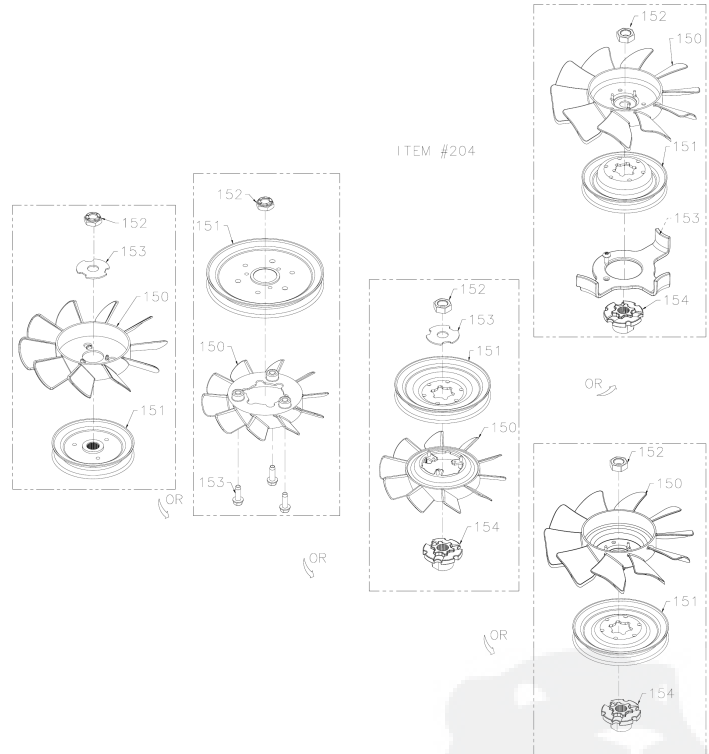
**PART NOTES:**

- [1] - To hold the differential lock parts in the side housing while assembling to the main housing, use service tool #55056.



# Fans, Pulleys, and Fan & Pulley Kits

T3 SERVICE SCHEMATIC



## Fans, Pulleys, and Fan &amp; Pulley Kits

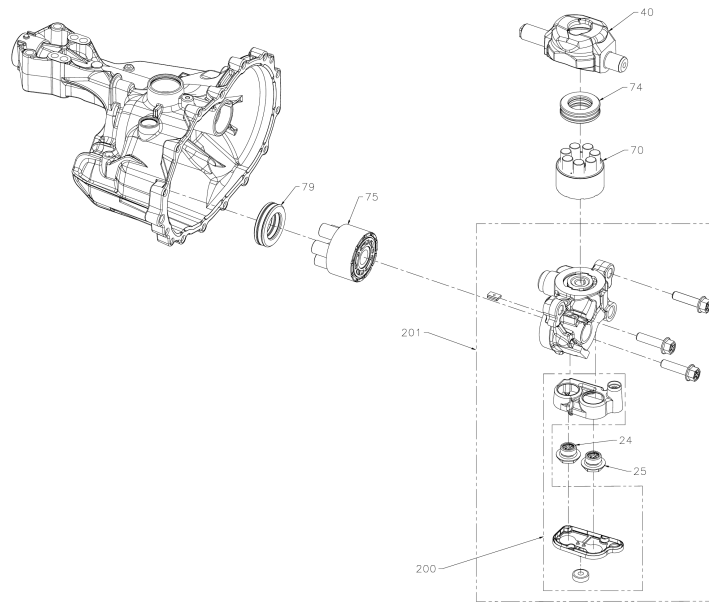
#	PART #	DESCRIPTION	QTY	Note
150	53994	FAN 7.0 (10 BLADE)	1	
151	53815	DISC, PULLEY CUPPED, 4.0 INCH	1	
152	44133	NUT 1/2-20 HEX JAM W/ PATCH	1	
153	51523	WASHER OD SLOTTER .53 X 1.55 X .06	1	
154	53812	HUB, PULLEY	1	
204	72133	KIT, FAN/PULLEY	1	



# Center Section Kit

NOTICE - PROPRIETARY INFORMATION: THIS SERVICE SCHEMATIC AND ITS CONTENTS ARE WHOLLY OWNED BY HYDRO-GEAR OF SULLIVAN, IL, AND MAY NOT BE USED, DISCLOSED, PUBLISHED OR REPRODUCED WITHOUT THE WRITTEN CONSENT OF HYDRO-GEAR.

## T3 SERVICE SCHEMATIC



P. 3 OF 8 72557 P10

## Center Section Kit

#	PART #	DESCRIPTION	QTY	Note
24	51084	CHK PLUG ASSY/WASHER,.027"	1	
25	51084	CHK PLUG ASSY/WASHER,.027"	1	
40	52450	SWASHPLATE TRUNNION	1	
70	72228	KIT, BLOCK, 7 PISTON, 8CC	1	
74	52465	BEARING 28X47X14 BALL THRUST	1	
75	71971	KIT, BLOCK 12CC	1	
79	50551	BEARING 30X52X13 BALL THRUST	1	
200	71553	KIT, FILTER	1	
201	72499	KIT CENTERSECTION W/FILTER	1	

