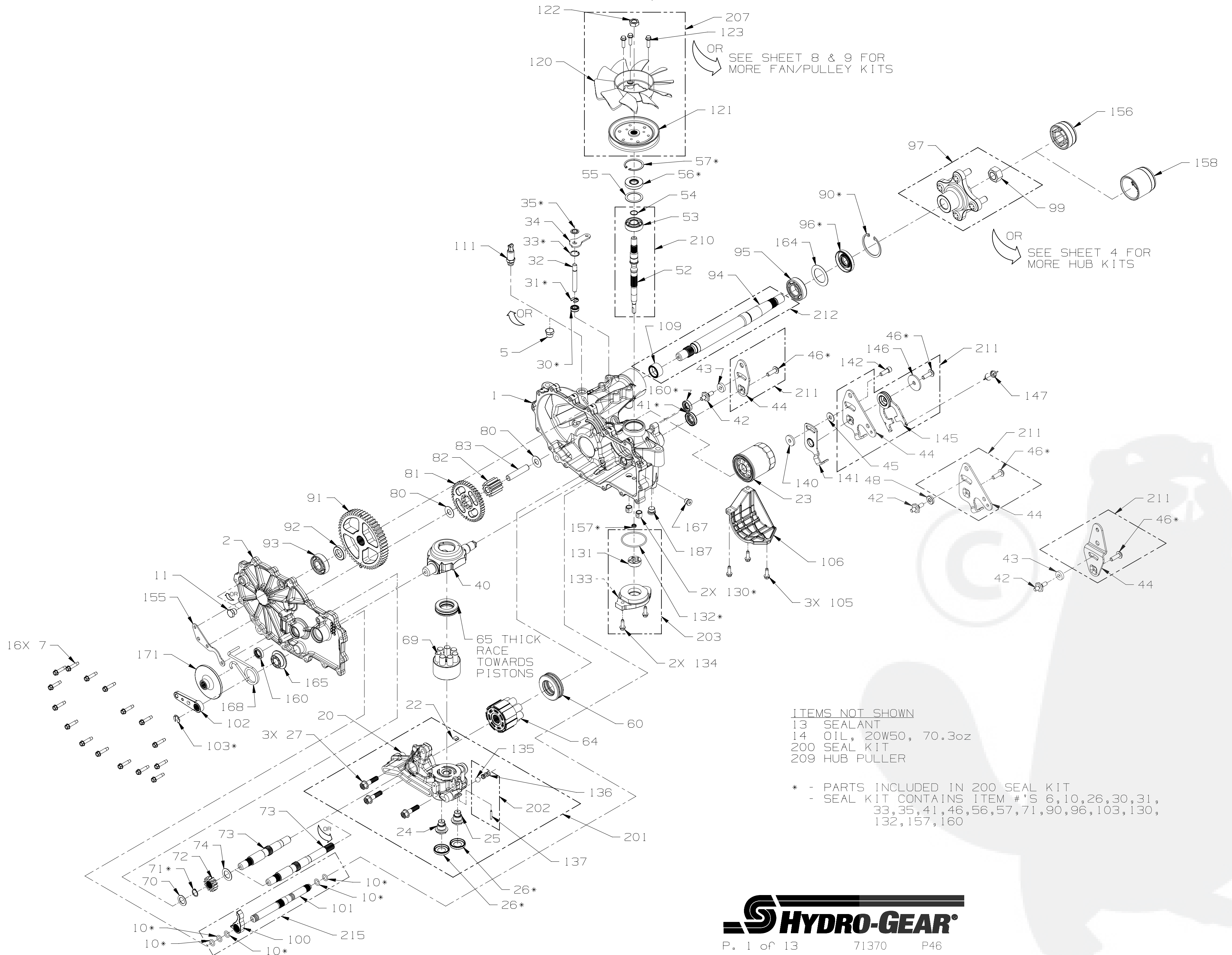


ZT-2800, ZT-3100 & ZT-3200 SERVICE SCHEMATIC



ITEMS NOT SHOWN
 13 SEALANT
 14 OIL, 20W50, 70.3oz
 200 SEAL KIT
 209 HUB PULLER

* - PARTS INCLUDED IN 200 SEAL KIT
 - SEAL KIT CONTAINS ITEM #'S 6, 10, 26, 30, 31, 33, 35, 41, 46, 56, 57, 71, 90, 96, 103, 130, 132, 157, 160



ZT-2800, ZT-3100 & ZT-3200 SERVICE SCHEMATIC

MODEL NUMBER:
CHARACTER #:

Z		*					*	*						
1	2	3	4	5	6	7	8	9	10	11	12	13	14	

CONTROL TYPE

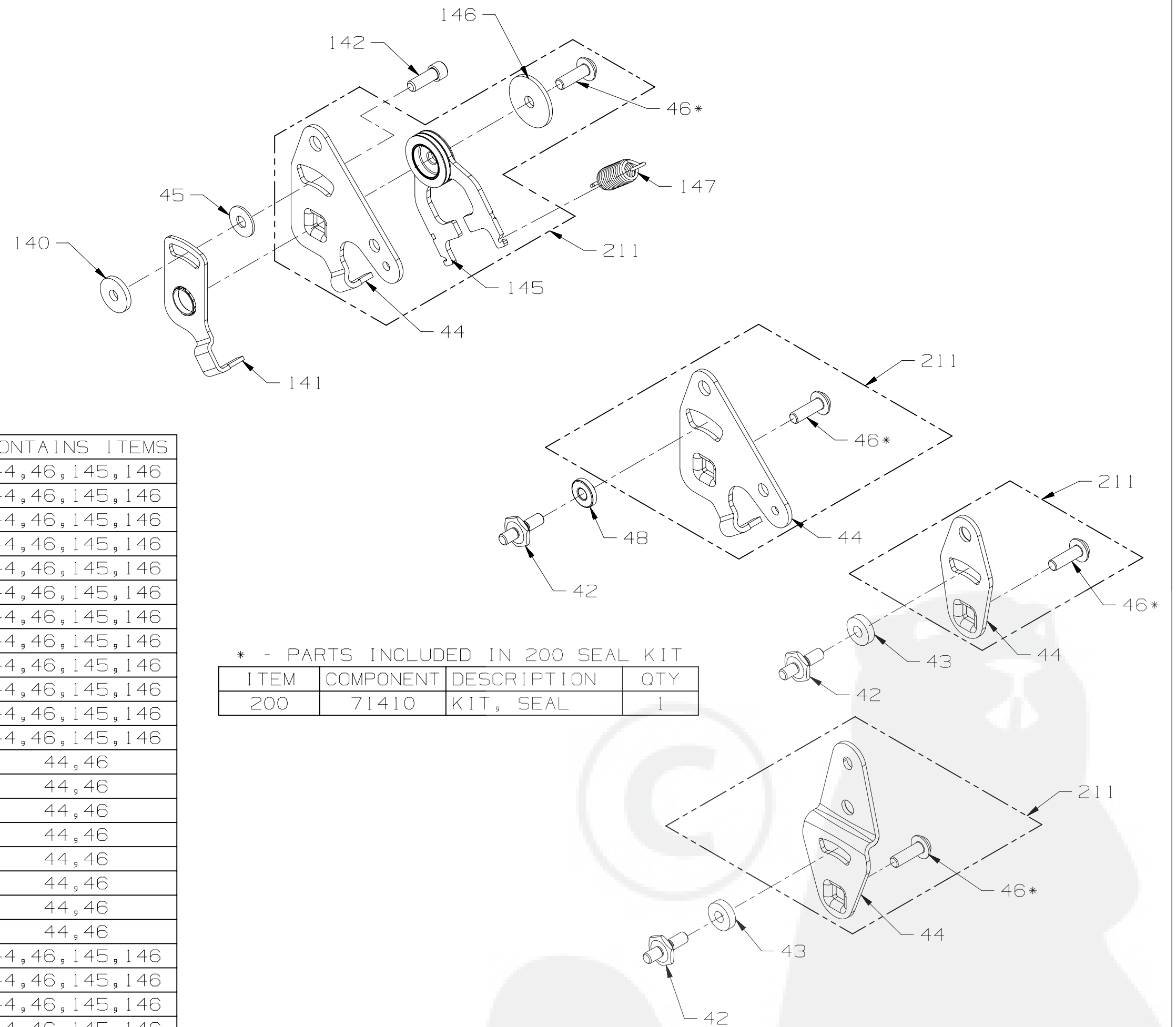
CHAR 9	CHAR 10	ITEM	COMPONENT	DESCRIPTION	QTY
O, N, P, R, T	A, H	42	50426	STUD, SHORT 5/16-24	1
		43	52298	PUCK, FRICTION	1
		46	51812	TWHCS 5/16-24 X 1.00 (PATCH)	1
	B, C, F, G	42	50426	STUD, SHORT 5/16-24	1
		46	51812	TWHCS 5/16-24 X 1.00 (PATCH)	1
		48	51846	SPACER	1
S	42	50426	STUD, SHORT 5/16-24	1	
2, 3, 4, 7, 8, 9, A-M, U	B, C, F, G	45	44130	WASHER, .34 X .88 X .06	1
		46	51812	TWHCS 5/16-24 X 1.00 (PATCH)	1
		140	54315	SPACER, .320 X 1.005 X .179	1
		142	51616	SHCS 5/16-24 X 1 (PATCH)	1

NEUTRAL ARM

CHAR 9	CHAR 10	ITEM	COMPONENT	DESCRIPTION	QTY
2, 3, 4, 7, 8, 9, A-M	B, F	141	51945	ARM, NEUTRAL RIGHT	1
	C, G		51946	ARM, NEUTRAL LEFT	1
B	72431		KIT, RH NEUTRAL ARM	1	
C	72432		KIT, LH NEUTRAL ARM	1	

RTN ASSEMBLY & CONTROL ARM

CHAR 3	CHAR 9	CHAR 10	ITEM	COMPONENT	DESCRIPTION	QTY	CONTAINS ITEMS		
G, H, J, N	2, A, G	C	211	71592	KIT, RTN, BIDIRECTIONAL	1	44, 46, 145, 146		
		G		71598	KIT, RTN, BIDIRECTIONAL	1	44, 46, 145, 146		
	7, D, K	B		71588	KIT, RTN, BIDIRECTIONAL	1	44, 46, 145, 146		
		F		71595	KIT, RTN, BIDIRECTIONAL	1	44, 46, 145, 146		
	3, B, H	C		71593	KIT, RTN, CCW	1	44, 46, 145, 146		
		G		71599	KIT, RTN, CCW	1	44, 46, 145, 146		
	8, E, L	B		71590	KIT, RTN, CW	1	44, 46, 145, 146		
		F		71597	KIT, RTN, CW	1	44, 46, 145, 146		
	4, C, J	C		71594	KIT, RTN, CW	1	44, 46, 145, 146		
		G		71600	KIT, RTN, CW	1	44, 46, 145, 146		
	9, F, M, U	B		71589	KIT, RTN, CCW	1	44, 46, 145, 146		
				F	71596	KIT, RTN, CCW	1	44, 46, 145, 146	
		O, T		A	71633	ARM, CONTROL	1	44, 46	
				C	71635	ARM, CONTROL, LH	1	44, 46	
				G	71637	ARM, CONTROL, LH	1	44, 46	
				H	72370	ARM, CONTROL	1	44, 46	
				5, R	A	71633	ARM, CONTROL	1	44, 46
					B	71634	ARM, CONTROL, RH	1	44, 46
	K, L, M, P	2, A, G		B	211	71588	KIT, RTN, BIDIRECTIONAL	1	44, 46, 145, 146
				F		71595	KIT, RTN, BIDIRECTIONAL	1	44, 46, 145, 146
		7, D, K		C		71592	KIT, RTN, BIDIRECTIONAL	1	44, 46, 145, 146
				G		71598	KIT, RTN, BIDIRECTIONAL	1	44, 46, 145, 146
		3, B, H		B		71590	KIT, RTN, CW	1	44, 46, 145, 146
				F		71597	KIT, RTN, CW	1	44, 46, 145, 146
8, E, L		C	71593	KIT, RTN, CCW		1	44, 46, 145, 146		
		G	71599	KIT, RTN, CCW		1	44, 46, 145, 146		
4, C, J		B	71589	KIT, RTN, CCW		1	44, 46, 145, 146		
		F	71596	KIT, RTN, CCW		1	44, 46, 145, 146		
9, F, M, U		C	71594	KIT, RTN, CW		1	44, 46, 145, 146		
			G	71600		KIT, RTN, CW	1	44, 46, 145, 146	
		O, T	A	71633		ARM, CONTROL	1	44, 46	
			B	71634		ARM, CONTROL, RH	1	44, 46	
			F	71636		ARM, CONTROL, RH	1	44, 46	
			H	72370		ARM, CONTROL	1	44, 46	
			5, R	A		71633	ARM, CONTROL	1	44, 46
				C		71635	ARM, CONTROL, LH	1	44, 46
G		71637	ARM, CONTROL, LH	1		44, 46			
		H	72370	ARM, CONTROL		1	44, 46		



* - PARTS INCLUDED IN 200 SEAL KIT

ITEM	COMPONENT	DESCRIPTION	QTY
200	71410	KIT, SEAL	1

SPRING

CHAR 9	CHAR 10	ITEM	COMPONENT	DESCRIPTION	QTY
2, 3, 4, 7, 8, 9	B, C, F, G	147	52401	SPRING, EXTNSN .57 X 2"	1
			51833	SPRING, EXTNSN RTN - 34 LBS	1
51605			SPRING, EXTNSN RTN - 44 LBS	1	
54402			SPRING, EXTNSN	1	



ZT-2800, ZT-3100 & ZT-3200 SERVICE SCHEMATIC

MODEL NUMBER:
CHARACTER #:

Z	*	-	*	*	*	-	*				-					
1	2	-	3	4	5	6	-	7	8	9	10	-	11	12	13	14

REDUCTION RATIO				
CHAR 2	ITEM	COMPONENT	DESCRIPTION	QTY
H	72	52149	GEAR, 16T	1
	81	52148	GEAR, 43T	1
J	72	52344	GEAR, 16T, STEEL	1
	81	52148	GEAR, 43T	1
K	72	52109	GEAR, 14T	1
	81	52110	GEAR, 45T	1
L	72	52341	GEAR, 14T, STEEL	1
	81	52110	GEAR, 45T	1
M	72	52342	GEAR, 13T, STEEL	1
	81	52343	GEAR, 46T	1

SIDE COVER AND GEAR						
CHAR 7	CHAR 2	CHAR 3	ITEM	COMPONENT	DESCRIPTION	QTY
1,2	H,K	G,H,J,N	2, 82	71541	SEE PAGE 11	1
		K,L,M,P		71543		1
	J,L,M	G,H,J,N		71542		1
		K,L,M,P		71544		1
3,4,5-8 ,A	H,K J,L,M	-	82	52583	GEAR, 11T	1
				52586	GEAR, 11T, STEEL	1

COMMON PARTS			
ITEM	COMPONENT	DESCRIPTION	QTY
22	51448	PLATE, BYPASS	1
26	52162	SEAL, PLUG 1.250 X .250	2
27	52137	HFHCS 3/8-16 X 1.5 (PATCH)	3
40	51048	TRUNNION, SWASHPLATE	1
60	51462	BEARING, THRUST	1
65	50551	BEARING, THRUST BALL 30 X 52 X 13	1
69	70723	ASS'Y, BLOCK 7 PISTON	1
70	44371	WASHER, .63 X 1.0 X .05	1
71	44145	RING, RETAINING .625	1
74	51069	WASHER, .72 X 1.16 X .04	1
80	50132	WASHER, .5 X 1.0 X .03	2
83	51083	JACK SHAFT (PIN)	1
200	71410	KIT, SEAL	1

BLOCK KIT				
CHAR 7	ITEM	COMPONENT	DESCRIPTION	QTY
1,2	64	72158	KIT, 16cc MOTOR BLOCK	1
3-8,A	64	71579	KIT, 16cc MOTOR BLOCK	1

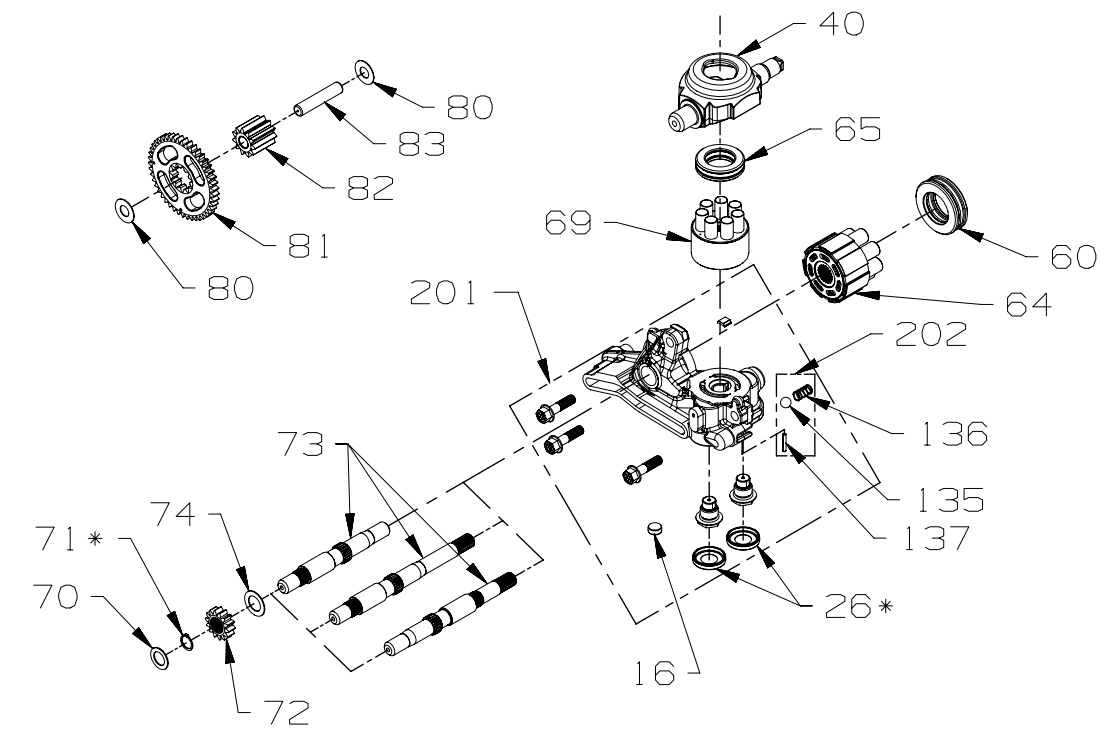
MOTOR SHAFT				
CHAR 7	ITEM	COMPONENT	DESCRIPTION	QTY
3,5-8	73	52150	SHAFT, MOTOR	1
4	73	53136	SHAFT, MOTOR	1
A	73	54325	SHAFT, MOTOR	1

CHARGE RELIEF KIT					
CHAR 3	ITEM	COMPONENT	DESCRIPTION	QTY	CONTAINS ITEMS
G,H,K L,N,P	202	71436	KIT, CHARGE RELIEF	1	135,136,137

CENTERSECTION KIT AND BLOCK ASSEMBLY					
CHAR 7	CHAR 3	CHAR 5	CHAR 6	ITEM	DESCRIPTION
1,2	G,K	A - R	A - R	64	REFERENCE SHEET 12 FOR UNIT REPLACEMENT
				201	

* - PARTS INCLUDED IN 200 SEAL KIT

ITEM	COMPONENT	DESCRIPTION	QTY
200	71410	KIT, SEAL	1



CENTERSECTION KITS									
CHAR 7	CHAR 3	CHAR 5	CHAR 6	ITEM	COMPONENT	DESCRIPTION	QTY	CONTAINS ITEMS	
	G - M	A - R	A - R	64	71579	ASS'Y, CYLINDER BLOCK, 16cc	1	64	
	G,H,N				71561	KIT, CENTERSECTION, RH, CHRG	1	20,22,24,25,26,27,28,135,136,137	
	J		E		71562	KIT, CENTERSECTION, RH	1	16,20,22,24,25,26,27	
	K,L,P	E	E		71563	KIT, CENTERSECTION, LH, CHRG	1	20,22,24,25,26,27,28,135,136,137	
	M				71564	KIT, CENTERSECTION, LH	1	16,20,22,24,25,26,27	
	G,H,N		F		71565	KIT, CENTERSECTION, RH, CHRG	1	20,22,24,25,26,27,28,135,136,137	
	K,L,P				71566	KIT, CENTERSECTION, LH, CHRG	1	20,22,24,25,26,27,28,135,136,137	
	G,H,N		E		72114	KIT, CENTERSECTION, RH, CHRG	1	20,22,24,25,26,27,28,135,136,137	
	K,L,P				72115	KIT, CENTERSECTION, LH, CHRG	1	20,22,24,25,26,27,28,135,136,137	
	G,H,N		F		72481	KIT, CENTERSECTION, RH, CHRG	1	20,22,24,25,26,27,28,135,136,137	
	K,L,P				72480	KIT, CENTERSECTION, LH, CHRG	1	20,22,24,25,26,27,28,135,136,137	
	G,N	P	P		71838	KIT, CENTERSECTION, RH, CHRG	1	20,22,24,25,26,27,28,135,136,137	
	K,P				71839	KIT, CENTERSECTION, LH, CHRG	1	20,22,24,25,26,27,28,135,136,137	
	G,N				71638	KIT, CENTERSECTION, RH, CHRG	1	20,22,24,25,26,27,28,135,136,137	
	K,P		B		71639	KIT, CENTERSECTION, LH, CHRG	1	20,22,24,25,26,27,28,135,136,137	
3,4,5 6,7,8, A	J	B	B	201	71567	KIT, CENTERSECTION, RH	1	16,20,22,24,25,26,27	
	M				71568	KIT, CENTERSECTION, LH	1	16,20,22,24,25,26,27	
	J		C		71580	KIT, CENTERSECTION, RH	1	16,20,22,24,25,26,27	
	M				71581	KIT, CENTERSECTION, LH	1	16,20,22,24,25,26,27	
	G,H,N	C	C		72413	KIT, CENTERSECTION, RH, CHRG	1	20,22,24,25,26,27,28,135,136,137	
	K,L,P				72412	KIT, CENTERSECTION, LH, CHRG	1	20,22,24,25,26,27,28,135,136,137	
	K	B	C		72515	KIT, CENTERSECTION, LH, CHRG	1	20,22,24,25,26,27,28,135,136,137	
	G				72516	KIT, CENTERSECTION, RH, CHRG	1	20,22,24,25,26,27,28,135,136,137	
	K	E	B		72534	KIT, CENTERSECTION, LH, CHRG	1	20,22,24,25,26,27,28,135,136,137	
	G				72535	KIT, CENTERSECTION, RH, CHRG	1	20,22,24,25,26,27,28,135,136,137	
	K	D	F		72548	KIT, CENTERSECTION, LH, CHRG	1	20,22,24,25,26,27,28,135,136,137	
	G				72547	KIT, CENTERSECTION, RH, CHRG	1	20,22,24,25,26,27,28,135,136,137	
	K	L	L		72742	KIT, CENTERSECTION, LH, CHRG	1	20,22,24,25,26,27,28,135,136,137	
	G				72743	KIT, CENTERSECTION, RH, CHRG	1	20,22,24,25,26,27,28,135,136,137	
	K	B	E		72772	KIT, CENTERSECTION, LH, CHRG	1	20,22,24,25,26,27,28,135,136,137	
	G				72771	KIT, CENTERSECTION, RH, CHRG	1	20,22,24,25,26,27,28,135,136,137	



ZT-2800, ZT-3100 & ZT-3200 SERVICE SCHEMATIC

MODEL NUMBER: Z - * - - -
 CHARACTER #: 1 2 - 3 4 5 6 - 7 8 9 10 - 11 12 13 14

AXLE KITS (CONTAIN ITEM #'S 94 & 109)

CHAR 4	ITEM	COMPONENT	DESCRIPTION	QTY
A THRU E, L, M	212	71569	KIT, SHAFT, AXLE	1
F THRU K, N, P		71570	KIT, SHAFT, AXLE	1
R, T		53527	SHAFT, AXLE	1
S		53528	SHAFT, AXLE	1
F THRU K, N, P, R, T	186	53496	TUBE, AXLE	1

HUB KITS (INCLUDES HUB, STUDS AND AXLE NUT)

CHAR 4	ITEM	COMPONENT	DESCRIPTION	QTY
B, G	97	71404	KIT, HUB, 4 BOLT	1
	156	53088	CAP, AXLE	1
C, H, S	97	71405	KIT, HUB, 4 BOLT	1
	156	53088	CAP, AXLE	1
L, N	97	71445	KIT, HUB, 4 BOLT	1
	158	53501	CAP, AXLE	1
M, P, T	97	71446	KIT, HUB, 4 BOLT	1
	158	53501	CAP, AXLE	1
E, K, R	97	71691	KIT, HUB, 5 BOLT	1
	156	53088	CAP, AXLE	1

HUB PULLER (INCLUDES BOLT)

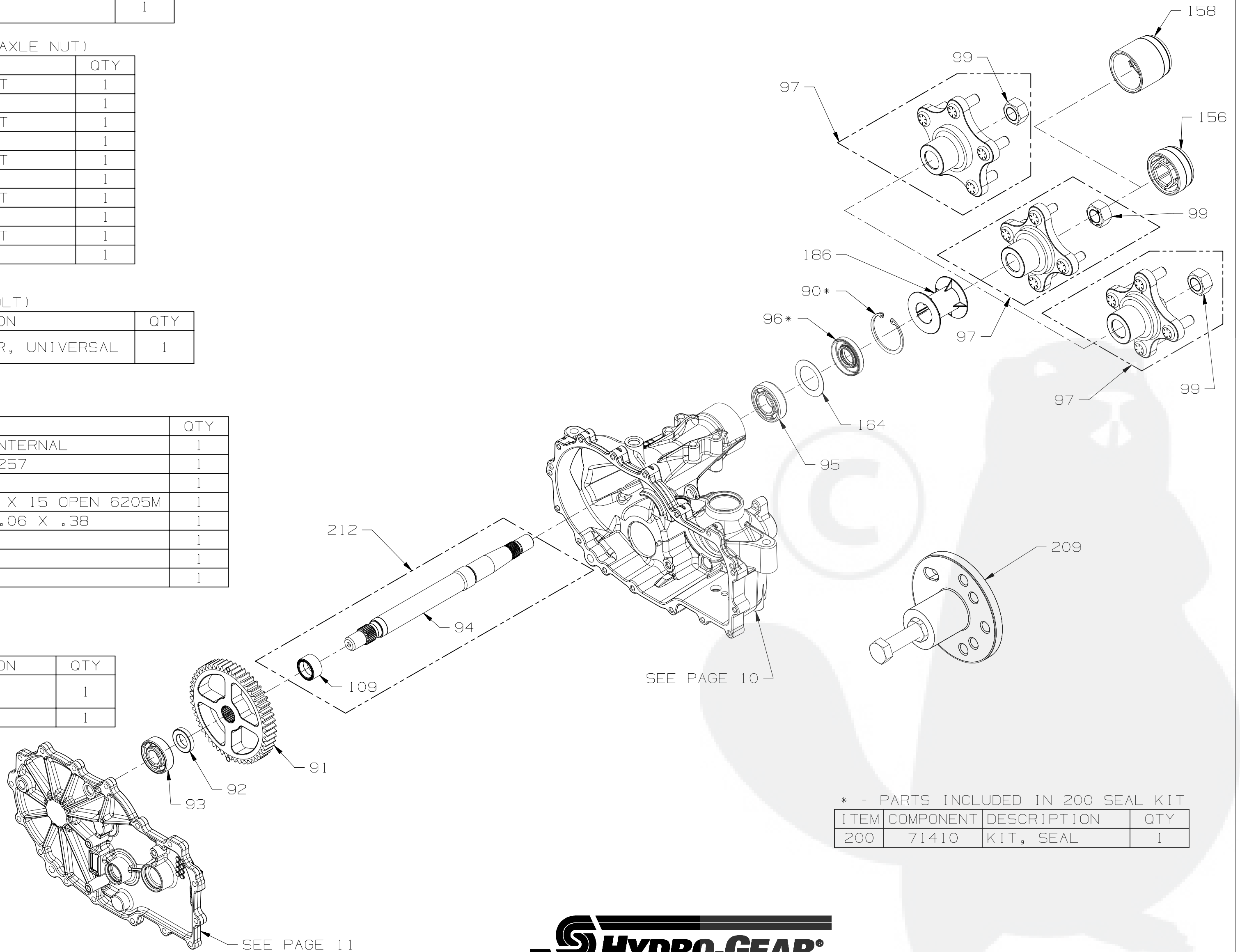
CHAR 4	ITEM	COMPONENT	DESCRIPTION	QTY
B, C, E, G, H, K, L, M, N, P, R, S, T	209	72320	HUB PULLER, UNIVERSAL	1

COMMON PARTS

ITEM	COMPONENT	DESCRIPTION	QTY
90	50859	RING, RETAINING 2.06 INTERNAL	1
92	53336	SPACER, .75 X 1.32 X .257	1
93	72749	KIT, BEARING	1
95	53656	BEARING, BALL 1.0 X 52 X 15 OPEN 6205M	1
96	53699	SEAL, LIP TC4, 1.0 X 2.06 X .38	1
99	53768	NUT, HEX LOCK 3/4-16	1
164	53514	SPACER	1
200	71410	KIT, SEAL	1

BULL GEAR

CHAR 4	ITEM	COMPONENT	DESCRIPTION	QTY
A, B, C, E, F, G, H, K, L, M, N, P	91	52108	GEAR, 54T	1
R, S, T		53327	GEAR, 54T	1



* - PARTS INCLUDED IN 200 SEAL KIT

ITEM	COMPONENT	DESCRIPTION	QTY
200	71410	KIT, SEAL	1



BYPASS ARM

CHAR 11	ITEM	COMPONENT	DESCRIPTION	QTY
1	34	51629	ARM, BYPASS	1
2		51910	ARM, BYPASS	1
3		52370	ARM, BYPASS	1
4		52742	ARM, BYPASS	1

ZT=2800, ZT-3100 & ZT-3200 SERVICE SCHEMATIC

MODEL NUMBER: Z - * - * - * - *
 CHARACTER #: 1 2 - 3 4 5 6 - 7 8 9 10 - 11 12 13 14

BRAKE ARM

CHAR 7	CHAR 3	CHAR 8	CHAR 14	ITEM	COMPONENT	DESCRIPTION	QTY
1	N/A	A,B,C,E,F,G	X,1,2	102	52501	HANDLE, ACTUATING	1
2					52499	ARM, BRAKE 2"	1
3,6,7					53973	HANDLE, ACTUATING	1
3,6,7					53973	HANDLE, ACTUATING	1
5	G,H,J,N	A,B,C,E,F,G	X,1,2	102	71957	KIT, BRAKE ARM RIGHT HAND	1
5	K,L,M,P	J,K,L,N,P,R			71958	KIT, BRAKE ARM LEFT HAND	1
3	N/A	K	1		52639	HANDLE, ACTUATING	1
8	N/A	N/A	N/A		N/A	NO BRAKE ARM	-

BRAKE SHAFT

CHAR 7	CHAR 8	ITEM	COMPONENT	DESCRIPTION	QTY
3,5,6,7,8	A,B,C,D,E,F,G	101	52651	SHAFT, BRAKE	1
	J,K,L,N,P,R		REFERENCE SHEET 13 FOR BRAKE SHAFT OPTIONS		

CHARGE COMPONENTS

CHAR 3	ITEM	COMPONENT	DESCRIPTION	QTY
G,H,K,L,N,P	130	54501	TUBE, CONNECTING	2
	131	50273	GEROTOR ASSEMBLY (1.9 cc/rev)	1
	132	52250	O-RING, -137, .103 X 2.050	1
	134	50752	HFCS 1/4-20 X .75	2
	157	72291	KIT, GEROTOR SEAL	1
G,H,K,L	133	53738	COVER, CHARGE PUMP	1
N,P	133	53738	COVER, CHARGE PUMP	1

ITEM	COMPONENT	DESCRIPTION	QTY
200	71410	KIT, SEAL	1

INPUT SHAFT AND CHARGE KITS

CHAR 3	ITEM	COMPONENT	DESCRIPTION	QTY	CONTAINS ITEMS
G,H,K,L	203	72274	KIT, CHARGE PUMP	1	131,132,133,134
	210	71442	KIT, INPUT SHAFT	1	52,53,54
N,P	203	72274	KIT, CHARGE PUMP	1	131,132,133,134
	210	71442	KIT, INPUT SHAFT	1	52,53,54
J,M	210	71443	KIT, INPUT SHAFT	1	52,53,54

BRAKE BIAS SPRING

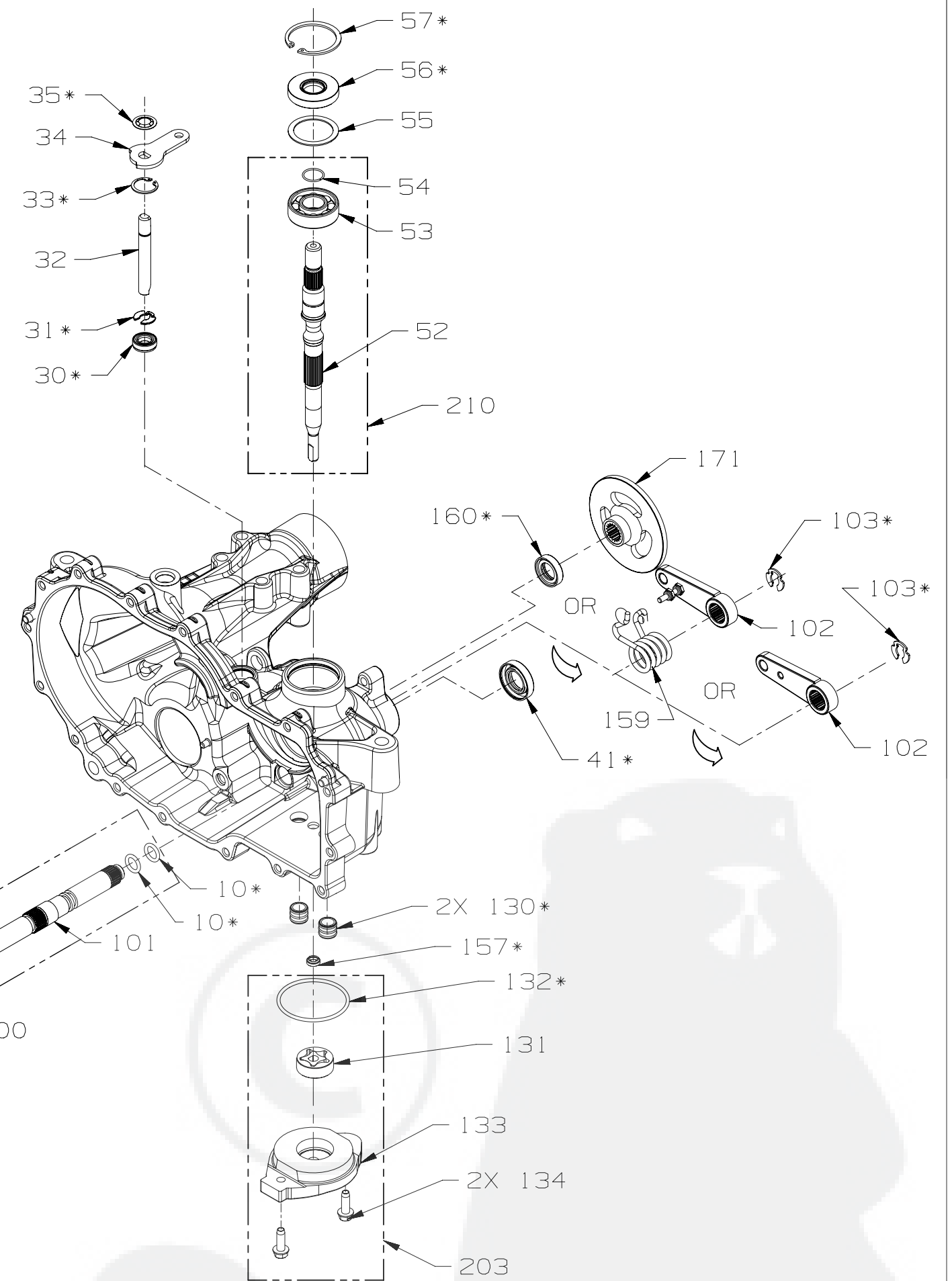
CHAR 7	CHAR 3	ITEM	COMPONENT	DESCRIPTION	QTY
5,6	G,H,J,N K,L,M,P	159	53429	SPRING, TORSION, CCW	1
			53483	SPRING, TORSION, CW	1
7	G,H,J,N	165	53781	GUIDE, SPRING RETURN	1
			53976	SPRING, TORSION, RH	1
	K,L,M,P		52781	GUIDE, SPRING RETURN	1
			53975	SPRING, TORSION, LH	1

COMMON PARTS

ITEM	COMPONENT	DESCRIPTION	QTY
13	50928	SEALANT, TUBE	1
30	51626	SEAL, LIP .375 X .75 X .25	1
31	51628	RING, RETAINING .375 EXTERNAL	1
32	52136	ROD, BYPASS	1
33	51627	RING, RETAINING .750 INTERNAL	1
35	51630	RING, RETAINING .375 EXTERNAL	1
55	50951	WASHER, 1.23 X 1.56 X .04	1
56	51161	SEAL, LIP 17 X 40 X 7	1
57	50329	RING, RETAINING	1

BRAKE COMPONENT

CHAR 7	ITEM	COMPONENT	DESCRIPTION	QTY
3,5,6,7	10	51804	O-RING -111 .103 X .424	4
	41	51140	SEAL, LIP 12 X 32 X 7	1
	100	52766	PAWL, BRAKE	1
	103	53019	RING, RETAINING	1
4	160	70719	KIT, SEAL	1
	171	52582	BRAKE, ROTOR	1
8	10	51804	O-RING -111 .103 X .424	4
	41	51140	SEAL, LIP 12 X 32 X 7	1
	100	52766	PAWL, BRAKE	1



* - PARTS INCLUDED IN 200 SEAL KIT

BRAKE COMPONENTS

CHAR 7	ITEM	DESCRIPTION
1,2	100,101,104,208	REFERENCE SHEET 12 & 13 FOR UNIT REPLACEMENT FOR CHARACTER 7 = "A", SEE PAGE 6

CHAR 7	CHAR 3	CHAR 8	ITEM	COMPONENT	DESCRIPTION	QTY	CONTAINS ITEMS
3,5,6,7,8	G,H K,L	J,K,L,T N,P,R	215	72753	KIT, OUTBOARD RH ROT "A" / LH ROT "B"	1	10,100,101
				72754	KIT, OUTBOARD RH ROT "B" / LH ROT "A"		
	72755	KIT, INBOARD RH ROT "A" / LH ROT "B"					
	72756	KIT, INBOARD RH ROT "B" / LH ROT "A"					
	K,L	A,B,C,D					



ZT-2800, ZT-3100 & ZT-3200 SERVICE SCHEMATIC

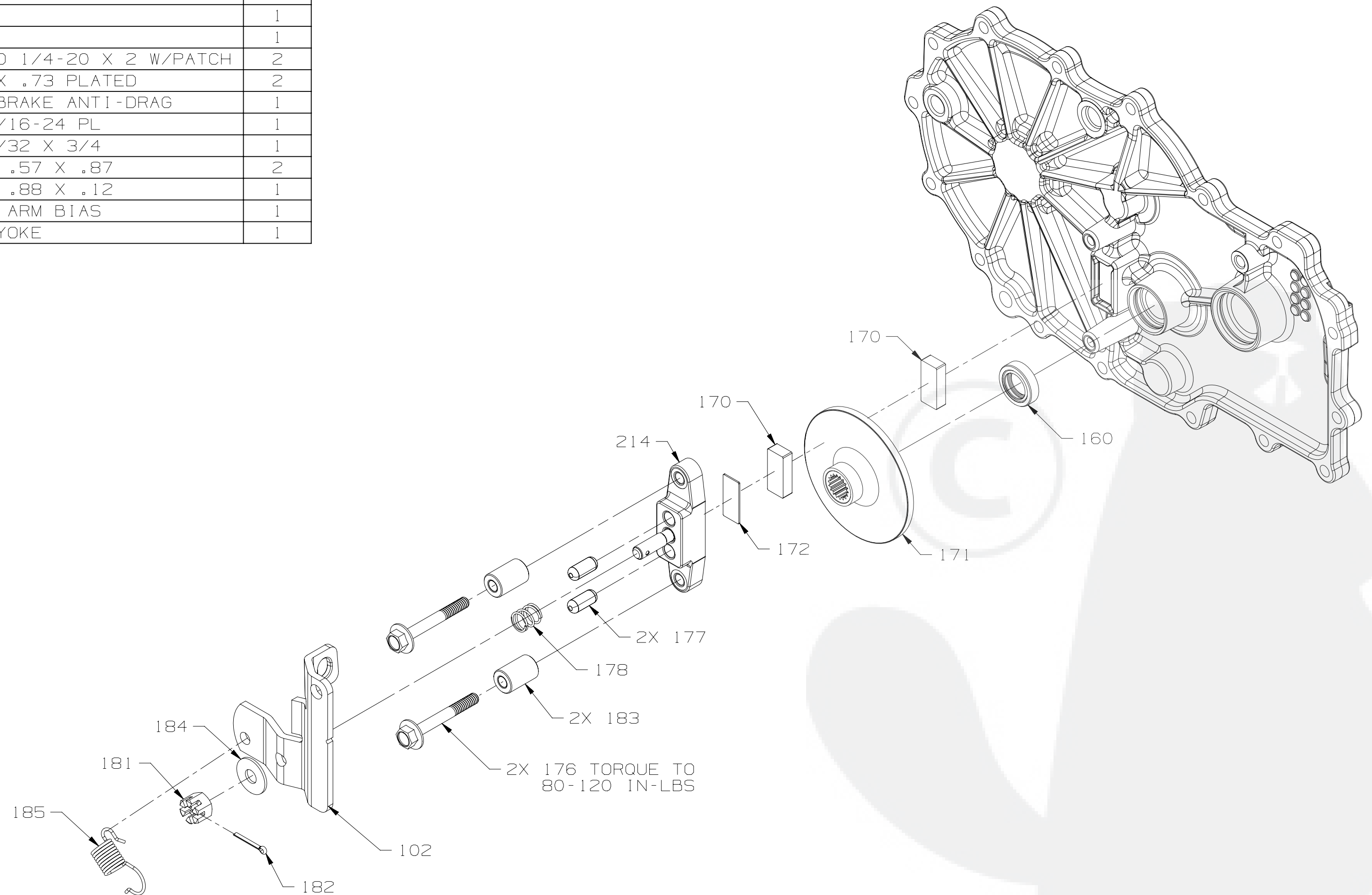
MODEL NUMBER: Z - - * * -
 CHARACTER #: 1 2 - 3 4 5 6 - 7 8 9 10 - 11 12 13 14

BRAKE

CHAR 7	CHAR 8	ITEM	COMPONENT	DESCRIPTION	QTY
A	1	102	54326	ARM, BRAKE	1
	2	102	54440	ARM, BRAKE	1

BRAKE

CHAR 7	ITEM	COMPONENT	DESCRIPTION	QTY
A	160	70719	KIT, SEAL	1
	170	44132	PUCK, BRAKE	2
	171	53989	ROTOR, BRAKE	1
	172	44134	PLATE, PUCK	1
	176	51146	BOLT, HEX HEAD 1/4-20 X 2 W/PATCH	2
	177	44127	PIN, BRK .31 X .73 PLATED	2
	178	50919	SPRING, COMP BRAKE ANTI-DRAG	1
	181	44142	NUT, CASTLE 5/16-24 PL	1
	182	44101	PIN, COTTER 3/32 X 3/4	1
	183	23711	SPACER, .26 X .57 X .87	2
	184	44130	WASHER, .27 X .88 X .12	1
	185	50884	SPRING, BRAKE ARM BIAS	1
	214	70633	KIT, BRAKE - YOKE	1



ZT-2800, ZT-3100 & ZT-3200 SERVICE SCHEMATIC

MODEL NUMBER:

Z	
1	2

 -

		*	
3	4	5	6

 -

7	8	9	10

 -

	*		
11	12	13	14

CHARACTER #:

1	2

 -

3	4	5	6

 -

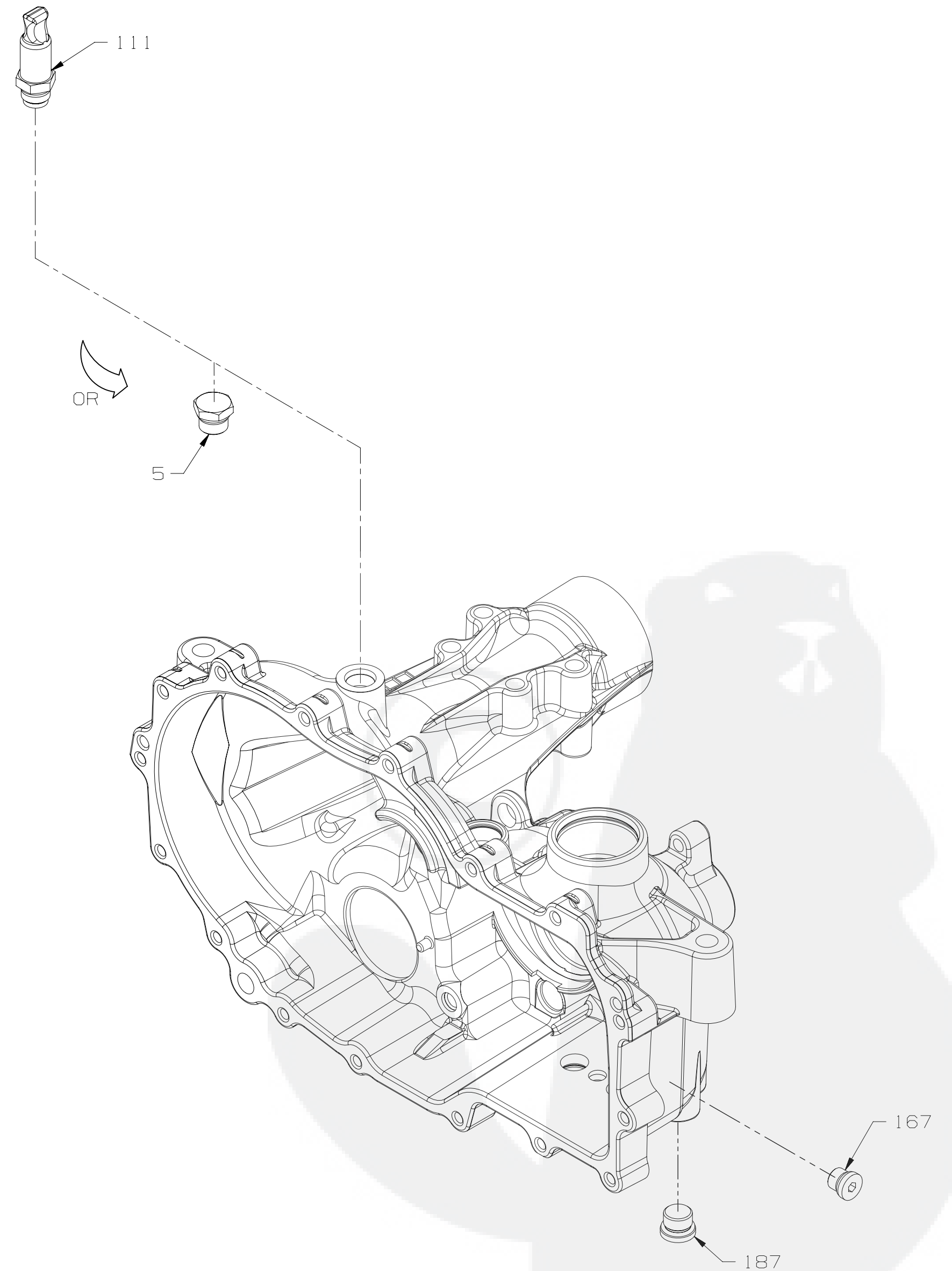
7	8	9	10

 -

11	12	13	14

BREATHER FITTINGS AND PLUGS

CHAR 5	CHAR 13	ITEM	COMPONENT	DESCRIPTION	QTY
A THRU G	L	111	71393	FITTING, STR 9/16-18 SAE .5 BARB	1
	R	5	54730	PLUG EXTERNAL HEX 9/16-18 (METAL)	1
K THRU T	X	5	54730	PLUG 9/16-18 (METAL)	1
		167	9005110-4400	PLUG 7/16-20 (METAL)	1
		187	9005110-5600	PLUG 9/16-18 (METAL)	1



ZT-2800, ZT-3100 & ZT-3200 SERVICE SCHEMATIC

MODEL NUMBER:

Z	
1	2

 -

*			
3	4	5	6

 -

7	8	9	10

 -

*			
11	12	13	14

CHARACTER #:

1	2

 -

3	4	5	6

 -

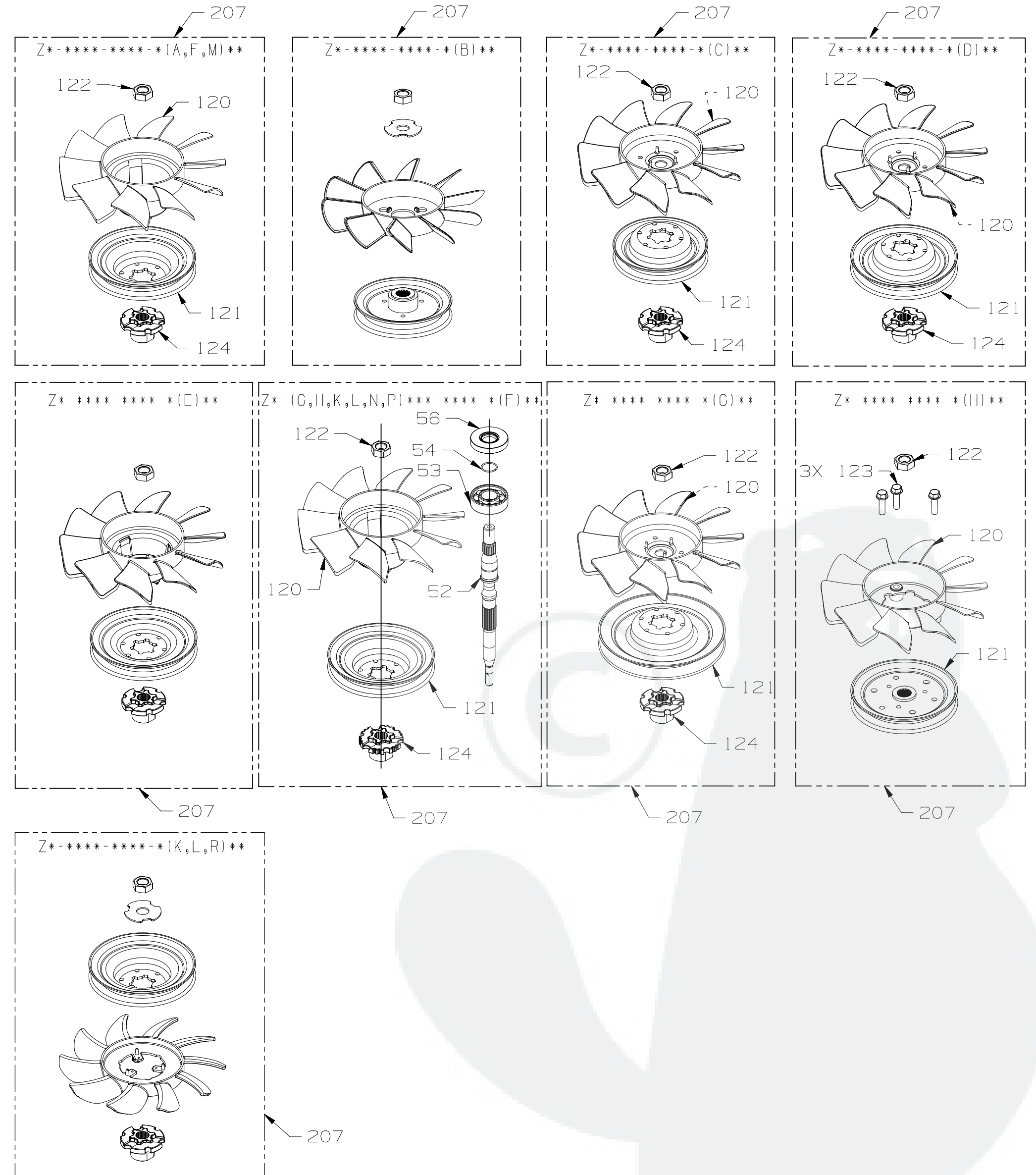
7	8	9	10

 -

11	12	13	14

FAN & PULLEY KIT

CHAR 12	CHAR 3	ITEM	COMPONENT	DESCRIPTION	QTY
X				N/A	
A		207	72124	KIT, FAN/PULLEY	1
B		207	70630	KIT, FAN/PULLEY	1
C	G THRU P	207	72130	KIT, FAN/PULLEY	1
		120	53822	FAN, 7.0 (10 BLADE) W/INSERT	1
		121	53815	DISC, PULLEY, CUPPED 4.0 INCH	1
		122	44133	NUT, HEX 1/2-20 W/PATCH	1
		124	53812	HUB, PULLEY	1
D	G THRU P	207	72131	KIT, FAN/PULLEY	1
		120	53822	FAN, 7.0 (10 BLADE) W/INSERT	1
		121	53804	DISC, PULLEY, CUPPED 4.5 INCH	1
		122	44133	NUT, HEX 1/2-20 W/PATCH	1
E	G THRU P	124	53812	HUB, PULLEY	1
		207	72125	KIT, FAN/PULLEY	1
F	J, M	207	72124	KIT, FAN/PULLEY	1
	G, H, K, L, N, P	207	71833	KIT, FAN/PULLEY	1
		52	53140	SHAFT, INPUT	1
		53	50315	BEARING, BALL 17 X 40 X 12	1
		54	2000022	RING, RETAINING	1
		56	51161	SEAL, LIP 17 X 40 X 7	1
		120	53821	FAN, 7.0 (10 BLADE)	1
		121	53804	DISC, PULLEY, 4.5, CUPPED	1
		122	44133	NUT, HEX 1/2-20 W/PATCH	1
		124	54759	HUB, PULLEY	3
207		72132	KIT, FAN/PULLEY	1	
G	G THRU P	120	53822	FAN, 7.0 (10 BLADE)	1
		121	54435	DISC, PULLEY, CUPPED, 5.34 INCH	1
		122	44133	NUT, HEX 1/2-20 W/PATCH	1
		124	53812	HUB, PULLEY	1
H	G THRU P	207	71826	KIT, FAN/PULLEY	1
		120	52576	FAN, 7.0 (10 BLADE)	1
		121	51182	PULLEY 4.5 INCH	1
		122	44133	NUT, HEX JAM 1/2-20 W/PATCH	1
		123	51076	HFHCS 1/4-20 X .875	3
K, L, R		207	72134	KIT, FAN/PULLEY	1
M	G THRU P	207	72124	KIT, FAN/PULLEY	1
		120	53821	FAN, 7.0 (10 BLADE) W/INSERT	1
		121	53804	DISC, PULLEY, CUPPED, 4.5 INCH	1
		122	44133	NUT, HEX JAM 1/2-20 W/PATCH	1
		124	53812	HUB, PULLEY	1

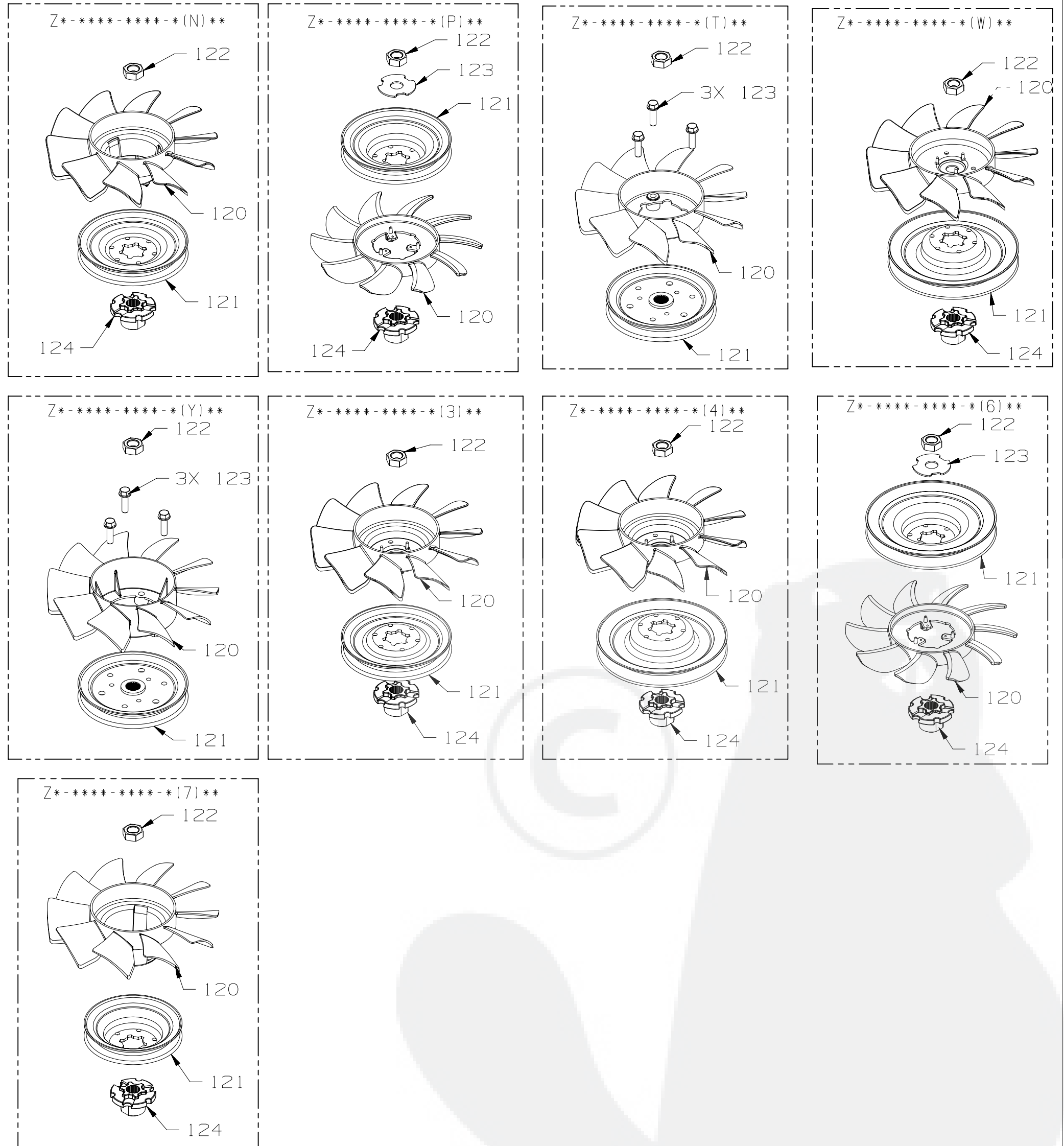


ZT-2800, ZT-3100 & ZT-3200 SERVICE SCHEMATIC

MODEL NUMBER: Z - * - - - - - - - - - - - - - - - - - - - - - - - - - - - - - - - - - * - - - - -
 CHARACTER #: 1 2 - 3 4 5 6 - 7 8 9 10 - 11 12 13 14

FAN & PULLEY KIT

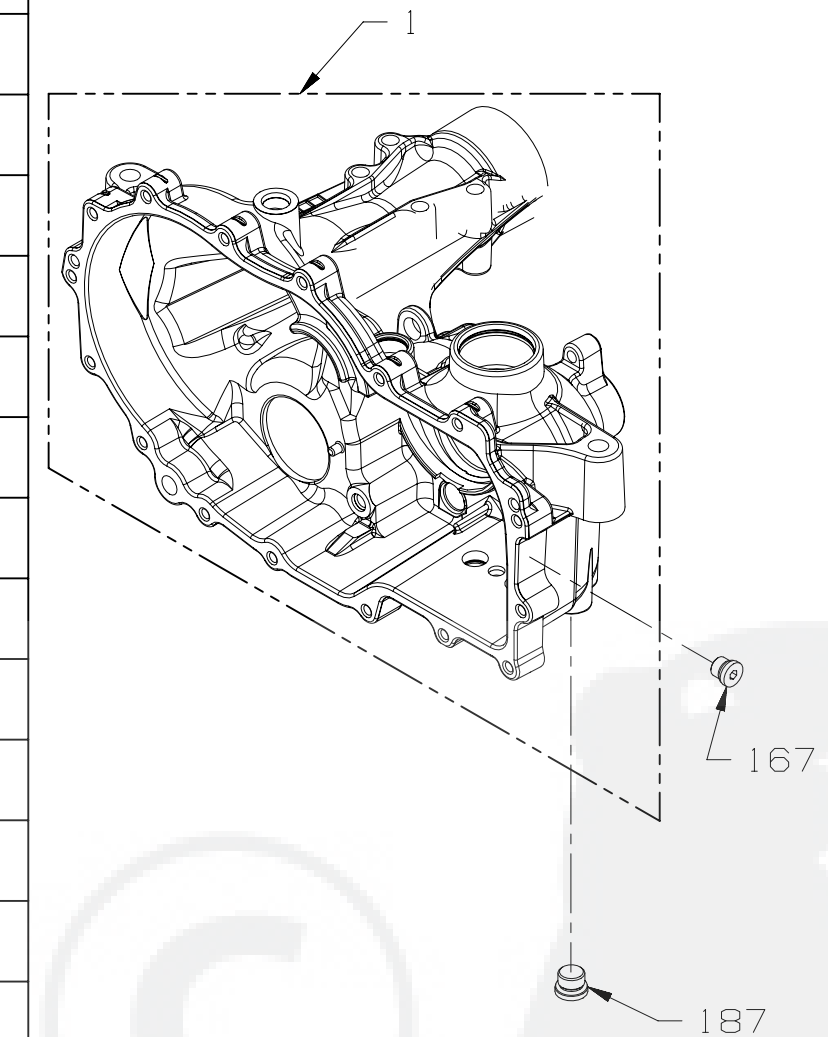
CHAR 12	CHAR 3	ITEM	COMPONENT	DESCRIPTION	QTY
N	G THRU P	207	72125	KIT, FAN/PULLEY	1
		120	53823	FAN, 7.0 (10 BLADE)	1
		121	53806	DISC, PULLEY, CUPPED 4.5 INCH	1
		122	44133	NUT, HEX JAM 1/2-20 W/PATCH	1
		124	53812	HUB, PULLEY	1
P	G THRU P	207	72134	KIT, FAN/PULLEY	1
		120	53994	FAN, 7.0 (10 BLADE)	1
		121	53804	DISC, PULLEY, CUPPED 4.5 INCH	1
		122	44133	NUT, HEX JAM 1/2-20 W/PATCH	1
		123	51523	WASHER, OD SLOTTED .53 X 1.63 X .06	1
T	G THRU P	124	53812	HUB, PULLEY	1
		207	71511	KIT, FAN/PULLEY	1
		120	52576	FAN, 7.0 (10 BLADE)	1
		121	51182	DISC, PULLEY, 4.5 INCH	1
		122	44133	NUT, HEX JAM 1/2-20 W/PATCH	1
W	G THRU P	123	51076	HFHCS 1/4-20 X .875	3
		207	72132	KIT, FAN/PULLEY	1
		207	71655	KIT, FAN/PULLEY	1
Y	G THRU P	120	52901	FAN, 7.0 (10 BLADE)	1
		121	51182	DISC, PULLEY 4.5	1
		122	44133	NUT, HEX JAM 1/2-20 W/PATCH	1
		123	51076	HFHCS 1/4-20 X .875	3
		207	72126	KIT, FAN/PULLEY	1
3	G THRU P	120	53824	FAN, 7.0 (10 BLADE) W/INSERT	1
		121	53806	DISC, PULLEY, CUPPED 4.5 INCH	1
		122	44133	NUT, HEX JAM 1/2-20 W/PATCH	1
		124	53812	HUB, PULLEY	1
		207	72271	KIT, FAN/PULLEY	1
4	G THRU P	120	53824	FAN, 7.0 (10 BLADE)	1
		121	54435	DISC, PULLEY, CUPPED, 5.34 INCH	1
		122	44133	NUT, HEX JAM 1/2-20 W/PATCH	1
		124	53812	HUB, PULLEY	1
		207	72135	KIT, FAN/PULLEY	1
6	G THRU P	120	53994	FAN, 7.0 (10 BLADE)	1
		121	54435	DISC, PULLEY, CUPPED, 5.34 INCH	1
		122	44133	NUT, HEX JAM 1/2-20 W/PATCH	1
		123	51523	WASHER, OD SLOTTED .53 X 1.63 X .06	1
		124	53812	HUB, PULLEY	1
7	G THRU P	207	72275	KIT, FAN/PULLEY	1
		120	53821	FAN, 7.0 (10 BLADE) W/INSERT	1
		121	53815	DISC, PULLEY, 4.0 INCH	1
		122	44133	NUT, HEX JAM 1/2-20 W/PATCH	1
		124	53812	HUB, PULLEY	1



ZT-2800, ZT-3100 & ZT-3200 SERVICE SCHEMATIC

MODEL NUMBER: Z - * * * - * * * - * * * *
 CHARACTER #: 1 2 - 3 4 5 6 - 7 8 9 10 - 11 12 13 14

MAIN HOUSING KITS (INCLUDES BUSHINGS AND PINS)										
CHAR 4	CHAR 7	CHAR 5	CHAR 3	CHAR 9	ITEM	COMPONENT	DESCRIPTION	QTY	CONTAINS ITEMS	
A-K, L, M, N, P	1,3,5, 6,7,8	A THRU G	G,H,N	0-4,A-C, G-J, N & T	1	71412	KIT, HOUSING, MAIN, RH, CHRG	1		
				5-9,D-F, K-M, P, R & U		71413	KIT, HOUSING, MAIN, RH, CHRG, CNTL	1		
			J	0-4,A-C, G-J, N & T		71414	KIT, HOUSING, MAIN, RH	1		
				5-9,D-F, K-M, P, R & U		71415	KIT, HOUSING, MAIN, RH, CNTL	1		
			K,L,P	0-4,A-C, G-J, N & T		71420	KIT, HOUSING, MAIN, LH, CHRG	1		
				5-9,D-F, K-M, P, R & U		71421	KIT, HOUSING, MAIN, LH, CHRG, CNTL	1		
		M	0-4,A-C, G-J, N & T	71424		KIT, HOUSING, MAIN, LH	1			
			5-9,D-F, K-M, P, R & U	71425		KIT, HOUSING, MAIN, LH, CNTL	1			
		4	A THRU G	G		0-4,A-C, G-J, N & T	72189	KIT, HOUSING, MAIN, RH, CHRG	1	
				K		0-4,A-C, G-J, N & T	72188	KIT, HOUSING, MAIN, LH, CHRG	1	
				J		0-4,A-C, G-J, N & T	71821	KIT, HOUSING, MAIN, RH, DISC	1	
				M		0-4,A-C, G-J, N & T	71822	KIT, HOUSING, MAIN, LH, DISC	1	
	1,3,5, 6,7,8	K THRU T	G,H,N	0-4,A-C, G-J, N & T	71418	KIT, HOUSING, MAIN, RH, CHRG	1	167,187		
				5-9,D-F, K-M, P, R & U	71419	KIT, HOUSING, MAIN, RH, CHRG, CNTL	1	167,187		
			J	0-4,A-C, G-J, N & T	71416	KIT, HOUSING, MAIN, RH	1	167,187		
				5-9,D-F, K-M, P, R & U	71417	KIT, HOUSING, MAIN, RH, CNTL	1	167,187		
			K,L,P	0-4,A-C, G-J, N & T	71422	KIT, HOUSING, MAIN, LH, CHRG	1	167,187		
				5-9,D-F, K-M, P, R & U	71423	KIT, HOUSING, MAIN, LH, CHRG, CNTL	1	167,187		
		M	0-4,A-C, G-J, N & T	71426	KIT, HOUSING, MAIN, LH	1	167,187			
			5-9,D-F, K-M, P, R & U	71427	KIT, HOUSING, MAIN, LH, CNTL	1	167,187			
		A	A THRU G	G	0-4,A-C, G-J, N & T	72373	KIT, HOUSING, MAIN, RH, CHRG	1		
				K	0-4,A-C, G-J, N & T	72374	KIT, HOUSING, MAIN, LH, CHRG	1		
				J	0-4,A-C, G-J, N & T	72491	KIT, HOUSING, MAIN, RH	1		
				M	0-4,A-C, G-J, N & T	72490	KIT, HOUSING, MAIN, LH	1		
	R, S, T	N/A	A THRU G	G	0-4,A-C, G-J, N & T	72483	KIT, HOUSING, MAIN, RH, CHRG	1		
				K	0-4,A-C, G-J, N & T	72482	KIT, HOUSING, MAIN, LH, CHRG	1		
			K	5-9,D-F, K-M, P, R & U	72362	KIT, HOUSING, MAIN, RH, CNTL, CHRG	1			
				5-9,D-F, K-M, P, R & U	72363	KIT, HOUSING, MAIN, LH, CNTL, CHRG	1			



ITEMS NOT SHOWN:
 13 SEALANT
 14 OIL, 20W50, 70.3oz
 200 SEAL KIT



ZT-2800, ZT-3100 & ZT-3200 SERVICE SCHEMATIC

SIDE COVER KITS (INCLUDES BUSHINGS & BEARING)

CHAR 5	CHAR 3	CHAR 7	CHAR 9	ITEM	COMPONENT	DESCRIPTION	QTY
A THRU G	G, H, J, N	3, 5, 6, 7, 8	0-4, A-C, G-J, N & T	2	71571	KIT, COVER, SIDE, RH, CNTL	1
			5-9, D-F, K-M, P, R & U		71572	KIT, COVER, SIDE, RH	1
		4	0-4, A-C, G-J, N & T		72226	KIT, COVER, SIDE, RH, CNTL	1
		0-4, A-C, G-J, N & T	71573		KIT, COVER, SIDE, LH, CNTL	1	
	K, L, M, P	3, 5, 6, 7, 8	0-4, A-C, G-J, N & T		71574	KIT, COVER, SIDE, LH	1
			5-9, D-F, K-M, P, R & U		72227	KIT, COVER, SIDE, LH, CNTL	1
		4	0-4, A-C, G-J, N & T		72375	KIT, COVER, SIDE, RH, CNTL	1
		0-4, A-C, G-J, N & T	72376		KIT, COVER, SIDE, LH, CNTL	1	
K THRU T	G, H, J, N	3, 5, 6, 7, 8	0-4, A-C, G-J, N & T	71575	KIT, COVER, SIDE, RH, CNTL	1	
			5-9, D-F, K-M, P, R & U	71576	KIT, COVER, SIDE, RH	1	
	0-4, A-C, G-J, N & T		71577	KIT, COVER, SIDE, LH, CNTL	1		
	5-9, D-F, K-M, P, R & U		71578	KIT, COVER, SIDE, LH	1		

SIDE COVER AND GEAR

CHAR 7	CHAR 2	CHAR 3	ITEM	COMPONENT	DESCRIPTION	QTY
1, 2	H, K	G, H, J, N	2, 82	71541*	KIT, COVER, SIDE, RH PM	1
		K, L, M, P		71543*	KIT, SIDE COVER LH, PM GEAR	1
	J, L, M	G, H, J, N		71542*	KIT, SIDE COVER RH, CUT STEEL GEAR	1
		K, L, M, P		71544*	KIT, COVER, SIDE LH STEEL	1

FILTER GUARD

CHAR 3	ITEM	COMPONENT	DESCRIPTION	QTY
G, H, J, N	106	53655	GUARD, FILTER, RH	1
K, L, M, P		53644	GUARD, FILTER, LH	1

BRACKET

CHAR 14	ITEM	COMPONENT	DESCRIPTION	QTY
1	155	53046	BRACKET, DAMPER	1
2	169	52041	STUD, 1/4-20 x 1.25 SELF TAP	2
X, 3			NONE	

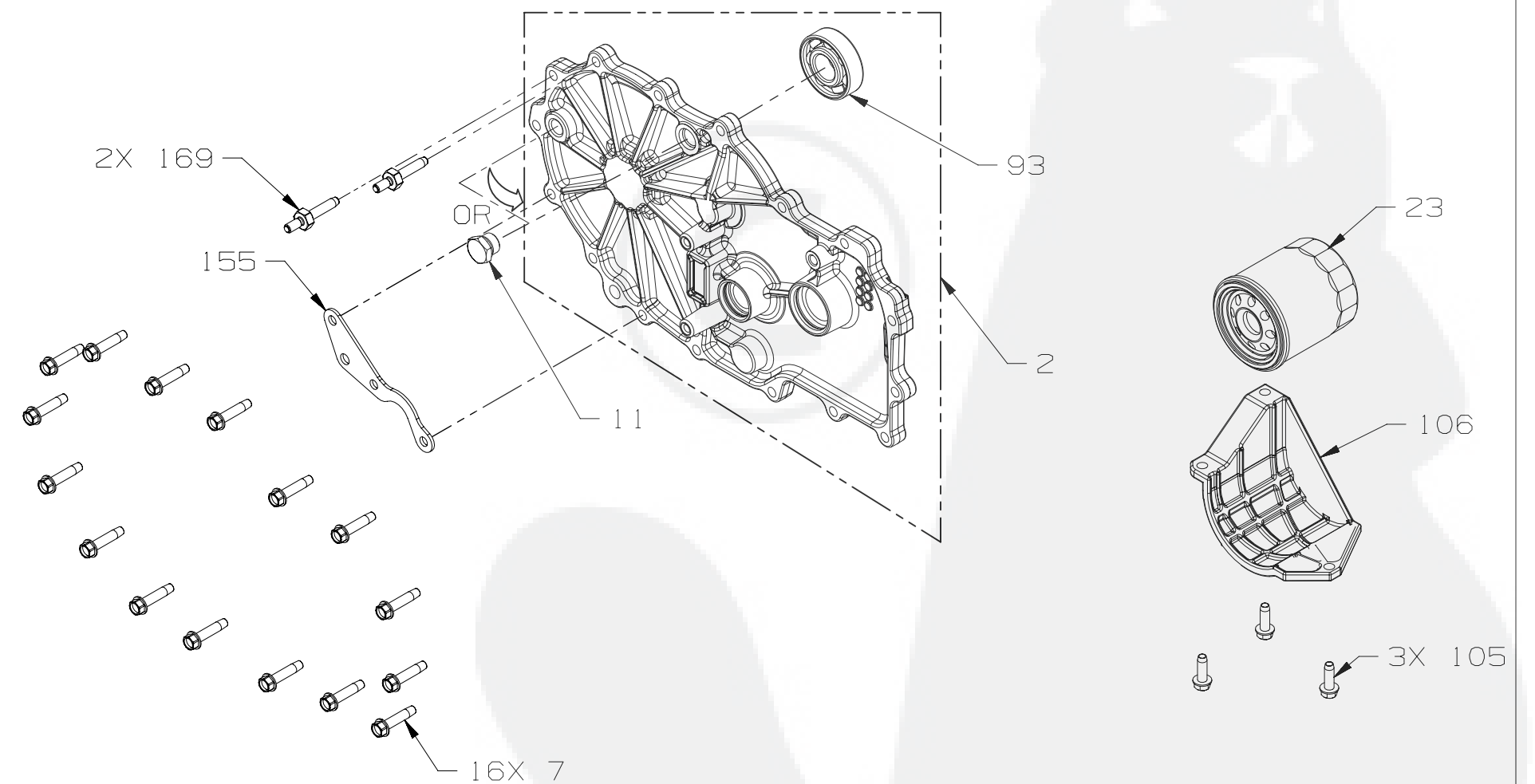
COMMON PARTS

ITEM	COMPONENT	DESCRIPTION	QTY
7	53246	HFHCS 1/4-20 X 1.125"	16
11	54730	PLUG, EXTERNAL HEX VENT 9/16-18	1
13	50928	SEALANT	1
14		OIL, 20W50	70.3oz
23	52114	FILTER, OIL	1
105	50752	HFHCS 1/4-20 X .75	3
200	71410	KIT, SEAL	1

PLUGS

CHAR 5	ITEM	COMPONENT	DESCRIPTION	QTY
K THRU T	167	9005110-4400	PLUG 7/16-20 STR THREAD SOCKET HEAD	1
	187	9005110-5600	PLUG 9/16-18 (METAL)	1

NOTE: * GEAR NOT SHOWN



ZT-2800, ZT-3100 & ZT-3200 SERVICE SCHEMATIC

MODEL NUMBER: Z * * * - * * - *
 CHARACTER #: 1 2 - 3 4 5 6 - 7 8 9 10 - 11 12 13 14

NOTES: CUSTOMER MAY CHOOSE PARTS LISTED OR REPLACEMENT UNIT

DUE TO PART OBSOLETION, THE FOLLOWING MODELS REQUIRE UNIT REPLACEMENT WHEN ITEMS # 64, 100, 101, 104, 201, 208 REQUIRE SERVICE:

OLD MODEL NO.	NEW MODEL NO.
SUPERSEDED TO	
ZH-GCEE-1B8B-1BXX	ZH-GCEE-3B8B-1BXX
ZH-KCEE-1B8C-1BXX	ZH-KCEE-3B8C-1BXX
ZH-JCEE-1B8B-1BXX	ZH-JCEE-3B8C-1BXX
ZH-MCEE-1B8C-1BXX	ZH-MCEE-3B8C-1BXX
ZJ-GMEE-1ELB-1FLX	71728
ZJ-KMEE-1ELC-1FLX	71729
ZJ-GCEF-1KKB-1EXX	ZJ-GCEF-3KKB-1EXX
ZJ-KCEF-1KKC-1EXX	ZJ-KCEF-3KKB-1EXX
ZK-GHEE-1K5A-2LXX	ZK-GHEF-3K5A-2LLX
ZK-KHEE-1K5A-2LXX	ZK-KHEF-3K5A-2LLX
ZK-GHEE-1K5A-2LLX	ZK-GHEF-3K5A-2LLX
ZK-KHEE-1K5A-2LLX	ZK-KHEF-3K5A-2LLX
ZK-GHEE-1KKB-2LXX	ZK-GHEF-3KKB-2LLX
ZK-KHEE-1KKB-2LXX	ZK-KHEF-3KKB-2LLX
ZK-GHEF-1KKB-2LLX	ZK-GHEF-3KKB-2LLX
ZK-KHEF-1KKB-2LLX	ZK-KHEF-3KKB-2LLX
ZL-GCEE-1K5A-1LXX	ZL-GCEE-3K5A-1LXX
ZL-KCEE-1K5A-1LXX	ZL-KCEE-3K5A-1LXX
ZL-GCEE-1K5A-1EXX	ZL-GCEE-3K5A-1EXX
ZL-KCEE-1K5A-1EXX	ZL-KCEE-3K5A-1EXX
ZL-GMEE-1BEB-2FXX	ZL-GMEE-3BLB-2FXX
ZL-KMEE-1BEC-2FXX	ZL-KMEE-3BLC-2FXX
ZL-GMEE-1BLB-2FXX	ZL-GMEE-3BLB-2FXX
ZL-KMEE-1BLC-2FXX	ZL-KMEE-3BLC-2FXX
ZL-GPEE-2N5B-2LXX	ZL-GPEE-3N5B-2LXX
ZL-KPEE-2N5C-2LXX	ZL-KPEE-3N5C-2LXX
ZL-GHEF-1KKB-2LLX	ZL-GHEF-3KKB-3LLX
ZL-KHEF-1KKB-2LLX	ZL-KHEF-3KKB-3LLX
ZL-GHEF-1KKB-3LLX	ZL-GHEF-3KKB-3LLX
ZL-KHEF-1KKB-3LLX	ZL-KHEF-3KKB-3LLX
ZM-GCEE-1L8B-2TLX	ZM-GCEE-3L8B-2TLX
ZM-KCEE-1L8C-2TLX	ZM-KCEE-3L8C-3TLX
ZH-GMCC-3LUB-1MXX	72429
ZH-KMCC-3LUC-1MXX	72430

BRAKE CAM KIT

CHAR 7	CHAR 8	ITEM	COMPONENT	DESCRIPTION	QTY
1,2	B, E	208	71408	KIT, BRAKE CAM	1
	K		71409	KIT, BRAKE CAM	1

BRAKE CAM

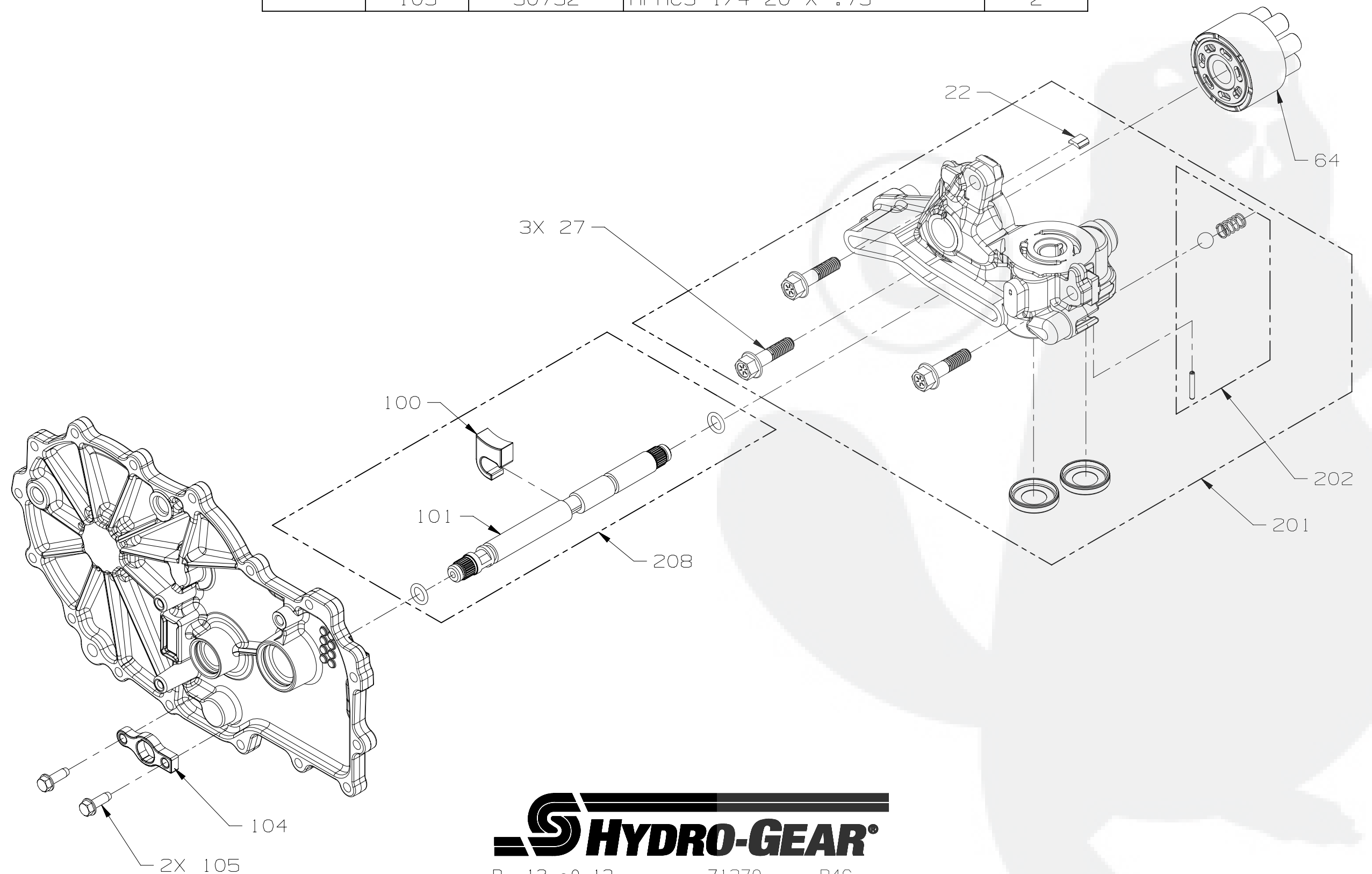
CHAR 7	CHAR 8	ITEM	COMPONENT	DESCRIPTION	QTY
1,2	B, E	101	52244	CAM, BRAKE	1
	K		52245	CAM, BRAKE	1

CENTERSECTION KIT/BLOCK ASSEMBLY

CHAR 7	CHAR 3	CHAR 5	CHAR 6	ITEM	COMPONENT	DESCRIPTION	QTY
1, 2	G-M	A-R	A-R	64	72158	ASS'Y, CYLINDER BLOCK, 16cc	1
	G	E	E	201	71438	KIT, CENTERSECTION, RH, CHRG	1
	K				71440	KIT, CENTERSECTION, LH, CHRG	1
	G				71479	KIT, CENTERSECTION, RH, CHRG	1
	K				71480	KIT, CENTERSECTION, LH, CHRG	1
	G, K	A-R	A-R	202	71436	KIT, CHARGE RELIEF	1

PARTS

CHAR 7	ITEM	COMPONENT	DESCRIPTION	QTY
1, 2	22	51448	PLATE, BYPASS	1
	27	52137	HFHCS 3/8-16 X 1.5 (PATCH)	3
	100	52118	PUCK, BRAKE	1
	104	52115	RETAINER, CAM STOP	1
	105	50752	HFHCS 1/4-20 X .75	2



ZT-2800, ZT-3100 & ZT-3200 SERVICE SCHEMATIC

MODEL NUMBER: Z - - * * -
 CHARACTER #: 1 2 - 3 4 5 6 - 7 8 9 10 - 11 12 13 14

BRAKE SHAFT

CHAR 7	CHAR 8	MODEL NUMBER	ITEM #	COMPONENT	DESCRIPTION	QTY
3	J, K, L, N, P, R	ZM-GCEE-3L8B-2TLX	101	52640	BRAKE SHAFT	1
		ZM-KCEE-3L8C-3TLX				
		ZM-GEEE-3LEF-2ALX				
		ZM-KEEE-3LEG-3ALX				
5,6,7		ALL OTHERS		72046	KIT, BRAKE SHAFT	1
		N/A				

FOR WHOLE UNIT REPLACEMENT, PLEASE USE THE FOLLOWING TABLE:

OLD MODEL NO.	NEW MODEL NO.
SUPERSEDED TO	
ZM-GCEE-3L8B-2TLX	72047
ZM-KCEE-3L8C-3TLX	72048
ZM-GEEE-3LEF-2ALX	72049
ZM-KEEE-3LEG-3ALX	72050

