

# Service Schematic

NOTICE - PROPRIETARY INFORMATION: THIS SERVICE SCHEMATIC AND ITS CONTENTS ARE WHOLLY OWNED BY HYDRO-GEAR OF SULLIVAN, IL, AND MAY NOT BE PUBLISHED OR REPRODUCED WITHOUT THE WRITTEN CONSENT OF HYDRO-GEAR.

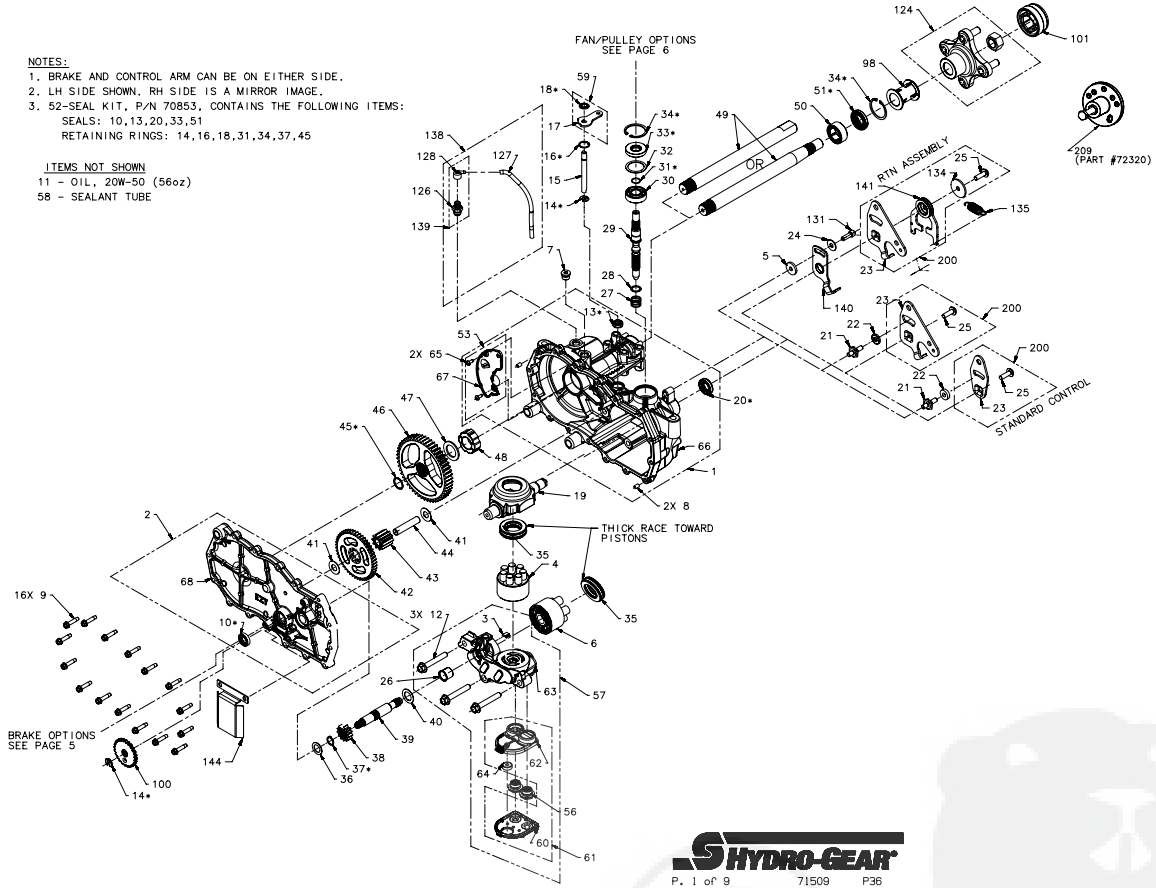
## EZT SERVICE DRAWING 1" AXLE

**NOTES:**

1. BRAKE AND CONTROL ARM CAN BE ON EITHER SIDE.
2. LH SIDE SHOWN. RH SIDE IS A MIRROR IMAGE.
3. 52-SEAL KIT, P/N 70853, CONTAINS THE FOLLOWING ITEMS:  
SEALS: 10,13,20,33,51  
RETAINING RINGS: 14, 16, 18, 31, 34, 37, 45

**ITEMS NOT SHOWN**

- 11 - OIL, 20W-50 (56oz)
- 58 - SEALANT TUBE



P. 1 of 9 71509 P36

# Service Schematic

#	PART #	DESCRIPTION	QTY	Note
1	70862L	KIT, MAIN HOUSING-LH	1	
2	70863L	KIT, SIDE HOUSING LH	1	
4	70723	ASSY, BLOCK 7 PISTON	1	
5	54315	SPACER 0.320 ID X 1.005 OD X 0.1495 THK	1	
6	70331	KIT, BLOCK, 10CC CYLINDER	1	
7	9005110-5600	PLUG 9/16-18 METAL	1	
9	53246	SCREW 1/4-20 X 1.125 HEX WASHER	16	
15	51625	ROD BYPASS	1	
19	51048	TRUNNION, SWASHPLATE	1	
24	44130	WASHER .34 X .88 X .06	1	
27	2003014	SPRING, BLOCK	1	
28	2003017	WASHER .59 X .79 X .04	1	
29	51062	SHAFT INPUT	1	
30	50315	BEARING 17X40X12 BALL OPEN 6203	1	
32	50951	WASHER 1.23 X 1.57 X .04	1	
35	50551	BEARING 30X52X13 BALL THRUST	2	
36	44371	WASHER .63 X 1.0 X .05 FLAT	1	
37	44145	RING RET 62 EXT	1	
38	51130	GEAR, 13T PINNION	1	
39	51632	SHAFT MOTOR	1	
40	51069	WASHER .71 X 1.16 X .04	1	
41	50132	WASHER .51 X 1.10 X .03 FLAT	2	
42	51129	GEAR, 10T/48T	1	
43	51043	GEAR, 10T JACKSHAFT	1	
44	51083	JACK SHAFT (PIN)	1	
46	52541	GEAR, 52T BULL	1	
47	52532	WASHER 1.013 X 1.750 X .105 FLAT	1	
48	52542	SLEEVE BEARING (INBOARD)	1	
49	53705	SHAFT AXLE	1	
50	51517	BUSHING 1.003X1.571X.625	1	
52	70853	KIT, SEALS AND RETAINING RINGS	1	
10		SEAL. LIP .625 X 1.000 X .2501	1	
		SEAL. LIP .50 X .88 X .25	1	
13		SEAL. LIP .375 X .75 X .25	1	
14		RING RETAINING .375 EXT	2	
16		RING RETAINING .750 INT	1	
18		RING RETAINING .375 EXT (PUSHNUT)	1	
20		SEAL. LIP 18 X 32 X 7	1	
31		RING RETAINING WIRE .561 ID	1	
33		SEAL LIP 17 X 40 X 7	1	
34		RING RETAINING	2	
37		RING RETAINING	1	
45		RING SPIRAL RETAINING	1	
51		SEAL LIP 1.00 X 1.57 X .25	1	
		SEAL LIP .375 X .75 X .25	1	
53	70868L	KIT, EXPANSION PLATE LH	1	

# Service Schematic

#	PART #	DESCRIPTION	QTY	Note
57	71529	KIT, CENTER SECTION W/ FILTER - LH	1	
(63)		CENTER SECTION, LH, 7P	1	
(3)		PLATE, BYPASS	1	
(26)		BUSHING, .711 X .789 X .778	1	
(12)		BOLT, HEX FLANGE 3/8-24 X 2.5	3	
(60)		ASSEMBLY, COVER	1	
(62)		FILTER, BASE	1	
(64)		MAGNET	1	
(56)		CHECK PLUG ASSEMBLY, .027, WASHER	2	
58	50928	SEALANT TUBE	1	
59	71357	KIT, BYPASS ARM	1	
61	71497	KIT, FILTER	1	
(60)		ASSEMBLY, COVER	1	
(62)		FILTER, BASE	1	
(64)		MAGNET	1	
98	53730	TUBE AXLE .81	1	
100	51635	DISC, COG BRAKE	1	
101	53501	CAP, AXLE	1	
124	71446	KIT, HUB 4 BOLT	1	
131	51616	SHCS 5/16-24 X .875	1	
135	51605	SPRING EXT .65 X 2.05 YELLOW ZINC	1	
138	71510	KIT, BREATHER	1	
(126)		ASSEMBLY, FITTING 9/16	1	
(127)		HOSE, EXP TANK	1	
(128)		CAP, BARBED VENT	1	
139	71524	KIT, BREATHER	1	
(128)		CAP, BARBED VENT	1	
(126)		ASSEMBLY, FITTING 9/16	1	
140	51946	ARM, NEUTRAL LEFT	1	
200	71594	KIT, RTN CW	1	
209	72320	KIT HUB PULLER	1	

# Brake Assembly

NOTICE - PROPRIETARY INFORMATION: THIS SERVICE SCHEMATIC AND ITS CONTENTS ARE WHOLLY OWNED BY HYDRO-GEAR OF SULLIVAN, IL. AND MAY NOT BE PUBLISHED OR REPRODUCED WITHOUT THE WRITTEN CONSENT OF HYDRO-GEAR.

## EZT SERVICE DRAWING 1" AXLE

MODEL NUMBER: Z - \* - \* - \*  
 CHARACTER #: 1 2 - 3 4 5 6 - 7 8 9 10 - 11 12 13 14

### COG BRAKE KITS

CHAR 3	CHAR 7	CHAR 8	ITEM #	COMPONENT #	DESCRIPTION	QTY
A, B	A, C, K, M	2	55	71069	KIT, BRAKE ARMW/CLEVIS PIN, LH	1
			(74)		ARM, BRAKE	1
			(70)		PIN, CLEVIS	1
			(71)		BOLT, 1/4-20X1 SHOULDER W/PATCH	1
			55	71070	KIT, BRAKE ARMW/CLEVIS PIN, RH	1
			(74)		ARM, BRAKE	1
D	B, D, J, L	2	(70)		PIN, CLEVIS	1
			55	71069	KIT, BRAKE ARMW/CLEVIS PIN, LH	1
			(74)		ARM, BRAKE	1
			(70)		PIN, CLEVIS	1
			(71)		BOLT, 1/4-20X1 SHOULDER W/PATCH	1
			55	71070	KIT, BRAKE ARMW/CLEVIS PIN, RH	1
A, B, D	A, C, K, M	3	55	70885	KIT, BRAKE ARM, THROUGH HOLE	1
			(74)		ARM, BRAKE	1
			(71)		BOLT, 1/4-20X1 SHOULDER W/PATCH	1
A, B, D	A, C, K, M	4	55	71356	KIT, BRAKE ARM W/ SPRING	1
			(74)		ARM, BRAKE	1
A, B, D	B, D, J, L	5	(75)		SPRING, EXTENSION	1
			(71)		BOLT, 1/4-20X1 SHOULDER W/PATCH	2
			55	71560	KIT, BRAKE ARM, TOP MOUNT	1
A, B, D	W	5	(71)		SPACER	1
			(74)		ARM, BRAKE	1
			(73)		HFHCS 1/4-20 X 2.0 (PATCH)	1
A, B, D	A, C, K, M	6	55	72578	KIT, BRAKE ARM	1
			(71)		BOLT, 1/4-20 X 1 SHOULDER W/PATCH	1
			(74)		ARM, BRAKE	1

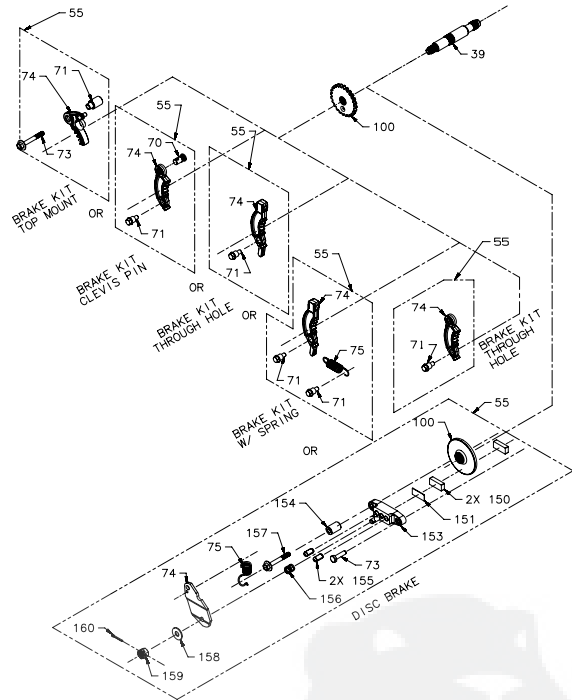
### COG/MOTOR SHAFTS

CHAR 7	CHAR 8	ITEM #	COMPONENT #	DESCRIPTION	QTY
2, 3, 4, 5, 6, X	A-D	39	51632	SHAFT, MOTOR	1
		100	51635	DISC, COG BRAKE	1
	J-M, W	39	51845	SHAFT, MOTOR	1
		100	51635	DISC, COG BRAKE	1
	Y, Z	39	51845	SHAFT, MOTOR	1
		A-D	39	52579	SHAFT, MOTOR
E	J-M	39	52580	SHAFT, MOTOR	1

### DISC BRAKE

CHAR 7	ITEM #	COMPONENT #	DESCRIPTION	QTY
B	55	71846	KIT, BRAKE	1
C	55	71892	KIT, BRAKE	1
D	55	71893	KIT, BRAKE	1
E	55	72082	KIT, BRAKE	1

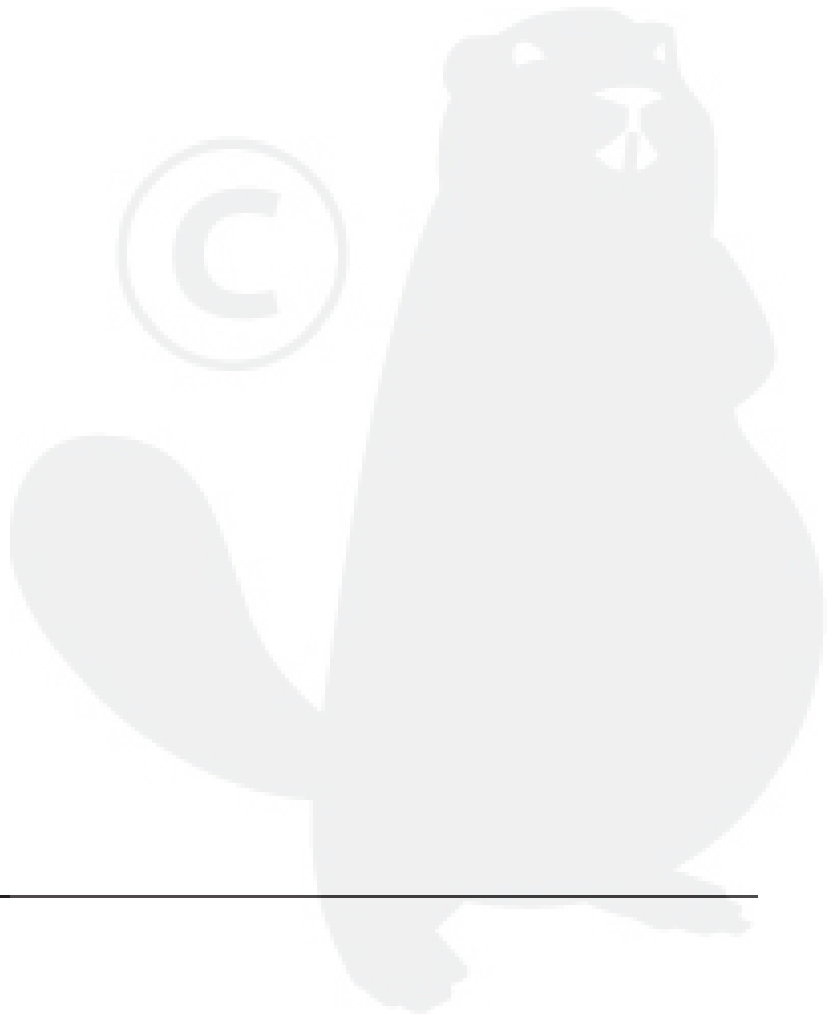
KITS INCLUDE ITEMS: 73, 74, 75, 100, 150, 151, 153, 154, 155, 156, 157, 158, 159, 160



P. 5 of 9 71509 P36

# Brake Assembly

#	PART #	DESCRIPTION	QTY	Note
39	51632	SHAFT MOTOR	1	
55	70865	KIT, BRAKE ARM	1	
(74)		ARM, BRAKE	1	
(71)		BOLT, 1/4-20X1 SHOULDER W/PATCH	1	
100	51635	DISC, COG BRAKE	1	



# Fans, Pulleys, and Fan & Pulley Kits

NOTICE - PROPRIETARY INFORMATION: THIS SERVICE SCHEMATIC AND ITS CONTENTS ARE WHOLLY OWNED BY HYDRO-GEAR OF SULLIVAN, IL, AND MAY NOT BE PUBLISHED OR REPRODUCED WITHOUT THE WRITTEN CONSENT OF HYDRO-GEAR.

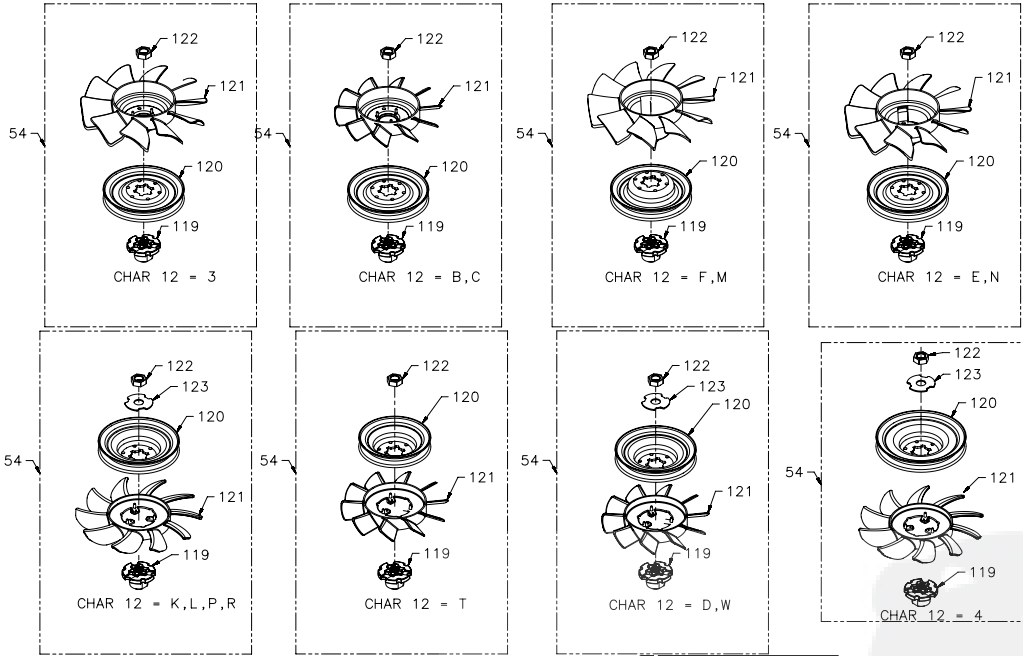
## EZT SERVICE DRAWING 1" AXLE

MODEL NUMBER:  
CHARACTER #:

Z	2	-					-								*		
1	2	-	3	4	5	6	-	7	8	9	10	-	11	12	13	14	

FAN & PULLEY KIT

CHAR 12	ITEM#	COMPONENT#	DESCRIPTION	QTY	CONTAINS ITEMS
3	54	72126	KIT, FAN-PULLEY	1	(119), (120), (121), (122)
B,C	54	72128	KIT, FAN-PULLEY	1	(119), (120), (121), (122)
F,W	54	72124	KIT, FAN-PULLEY	1	(119), (120), (121), (122)
E,N	54	72125	KIT, FAN-PULLEY	1	(119), (120), (121), (122)
K,L,P,R	54	72134	KIT, FAN-PULLEY	1	(119), (120), (121), (122), (123)
T	54	72136	KIT, FAN-PULLEY	1	(119), (120), (121), (122)
D,W	54	72137	KIT, FAN-PULLEY	1	(119), (120), (121), (122), (123)
4	54	72135	KIT, FAN-PULLEY	1	(119), (120), (121), (122), (123)



P. 7 of 9 71509 P36

## Fans, Pulleys, and Fan & Pulley Kits

#	PART #	DESCRIPTION	QTY	Note
54	72134	KIT, FAN & PULLEY	1	[1]

**PART NOTES:**

[1] - Includes items: 119-123

