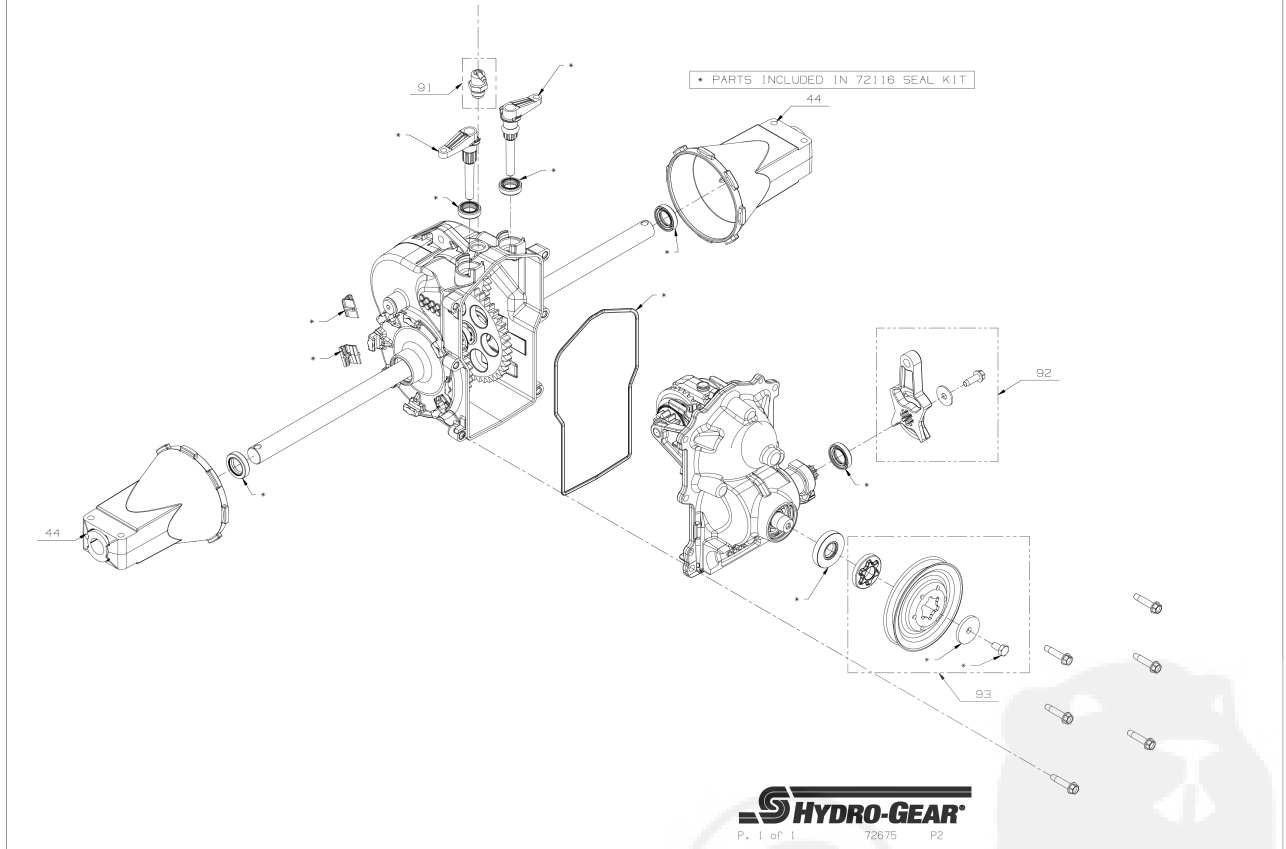


# Parts Breakdown

NOTICE - PROPRIETARY INFORMATION: THIS SERVICE SCHEMATIC AND ITS CONTENTS ARE WHOLLY OWNED BY HYDRO-GEAR OF SULLIVAN, IL, AND MAY NOT BE PUBLISHED OR REPRODUCED WITHOUT THE WRITTEN CONSENT OF HYDRO-GEAR.

## 1310-1006 SST SERVICE SCHEMATIC



## Parts Breakdown

#	PART #	DESCRIPTION	QTY	Note
44	53201	HORN AXLE	2	
90	72116	KIT, SEAL - SST	1	
91	72680	KIT, BREATHER	1	
92	72702	KIT CONTROL ARM	1	
93	72434	KIT, PULLEY	1	

