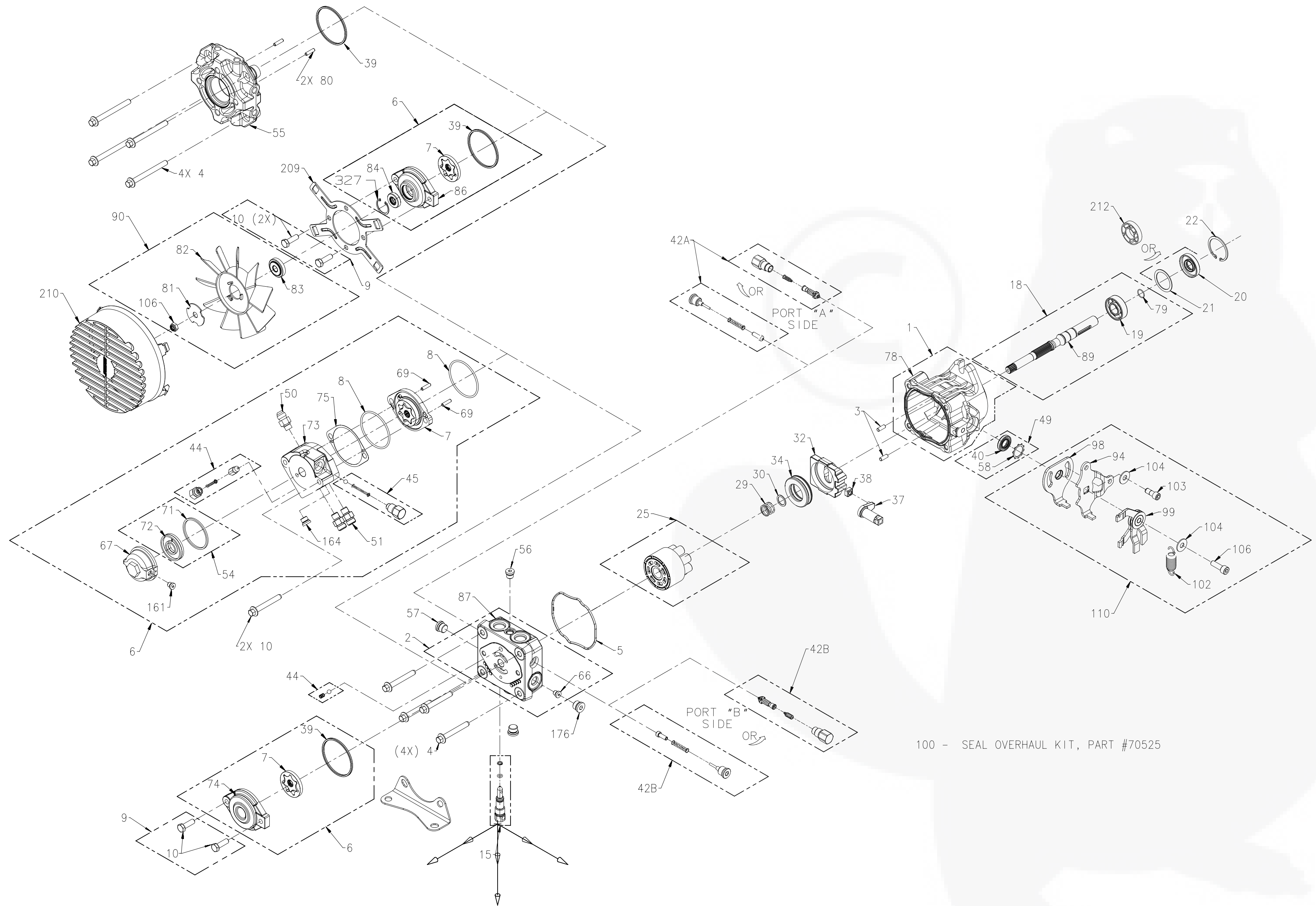


# PK SERIES SERVICE SCHEMATIC



100 - SEAL OVERHAUL KIT, PART #70525

# PK SERIES SERVICE SCHEMATIC

MODEL NUMBER: 

P	K
1	2

 - 

*	*	*	*
3	4	5	6

 - 

7	8	9	10

 - 

*			
11	12	13	14

CHARACTER #: 


 - 


 - 


 - 


## COMMON PARTS

CHARACTER 2	CHARACTER 12	ITEM #	COMPONENT #	DESCRIPTION	QTY	CONTAINS ITEMS:
K	X,L	3	50641	PIN, DOWEL	2	3
		5	54022	O-RING, HOUSING	1	5
		20	51161	LIP SEAL 17 x 40 x 7 PTC	1	20
		21	50951	SPACER WASHER	1	21
		22	50329	RETAINING RING	1	22
		25	71971	CYLINDER BLOCK KIT	1	25
		29	2003014	BLOCK SPRING	1	29
		30	2003017	BLOCK THRUST WASHER	1	30
		34	53502	THRUST BALL BEARING ASSEMBLY	1	34
		38	2000015	SLOT GUIDE	1	38
		49	2513043	TRUNNION SEAL / RETAINER KIT	1	40,58
		100	70525	KIT, OVERHAUL SEAL	1	5,8,20,22,39,40,58,71,75,84
		212	52431	SPACER	1	212
		56	9005110-4400	PLUG, 7/16-20 STEEL	1	56
		57	9005110-5600	PLUG, 9/16-18 STEEL	1	57
		66	9005110-3100	PLUG, 5/16-24 STEEL	1	66
		170	9005110-5600	PLUG, 9/16-18 STEEL	1	170
		176	9005110-5600	PLUG, 9/16-18 STEEL	1	176
X	32	2003087	SWASHPLATE	1	32	
L	32	53998	SWASHPLATE	1	32	

## PUMP SHAFT KITS (CONTAINS ITEMS 19,79,89)

CHARACTER 3	ITEM #	COMPONENT #	DESCRIPTION	QTY
B	18	71249	KIT, PUMP SHAFT (5/8 KEYED, STD CHG)	1
C		71250	KIT, PUMP SHAFT (5/8 KEYED, THRU)	1
E		70524	KIT, PUMP SHAFT (9T INPUT SHAFT)	1
F		70726	KIT, PUMP SHAFT (9T THRU SHAFT)	1
2		70522	KIT, PUMP SHAFT (15mm STRAIGHT KEYED INPUT)	1
3		70620	KIT, PUMP SHAFT (15mm STRAIGHT KEYED THRU)	1
5		71252	KIT, PUMP SHAFT (15mm TAPERED KEYED, THRU)	1
7		71251	KIT, PUMP SHAFT (15mm TAPERED KEYED, STD CHG)	1
H		71249	KIT, PUMP SHAFT (5/8 KEYED, STD CHG)	1
K		70522	KIT, PUMP SHAFT (15mm STRAIGHT KEYED INPUT)	1
L		70524	KIT, PUMP SHAFT (9T INPUT SHAFT)	1

## STEEL PLUG

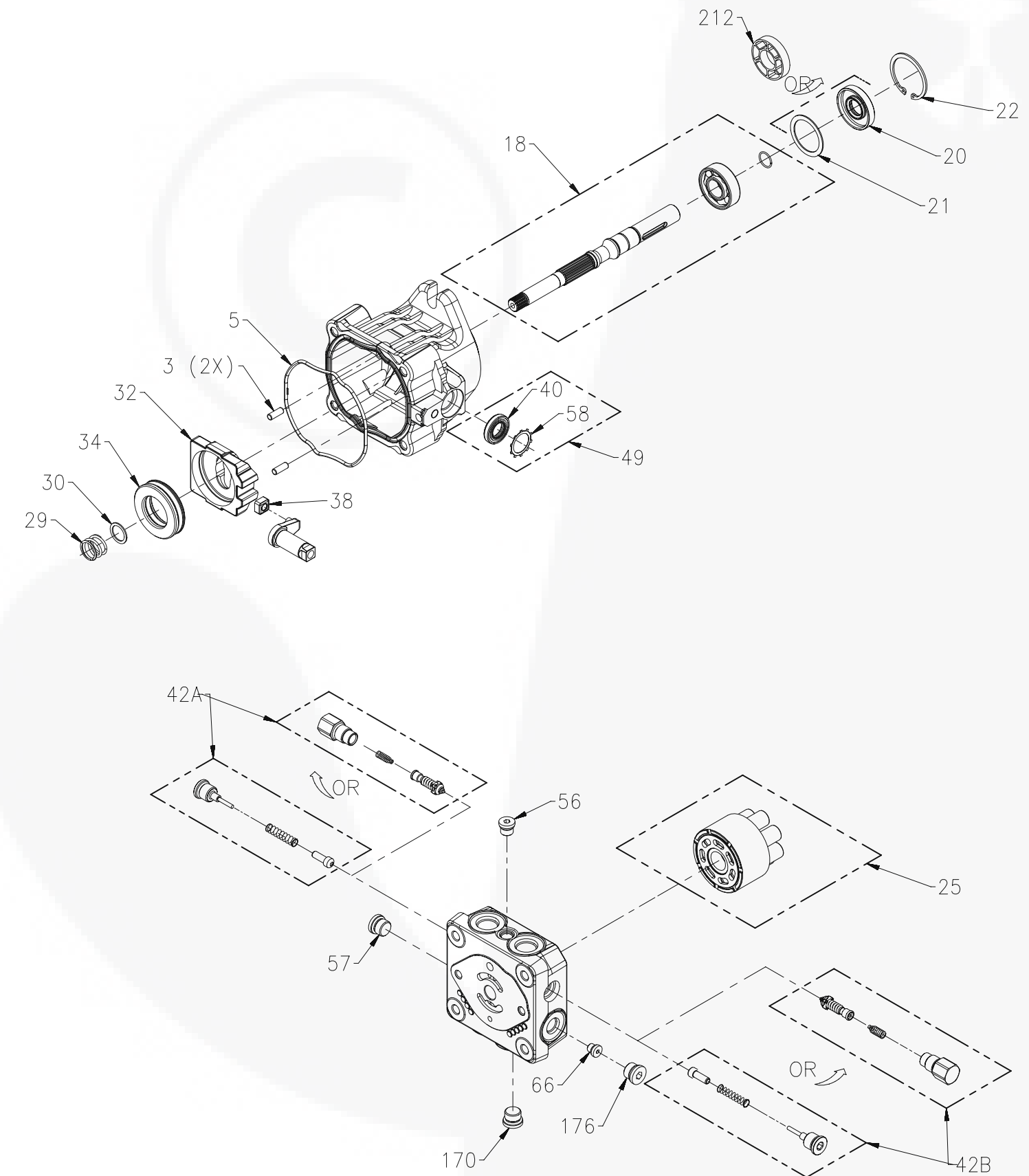
CHARACTER 4	ITEM #	COMPONENT #	DESCRIPTION	QTY
A,B,C,D,G,H,J,K	56	9005110-4400	PLUG - 7/16-18 STEEL (DIAGNOSTIC)	1
1,2,3,4	62	9005200-4400	PLUG - 7/16-18 PLASTIC (DIAGNOSTIC)	1

## SHOCK VALVE KITS, \*A\* SIDE

CHARACTER 5	ITEM #	COMPONENT #	DESCRIPTION	QTY
A	42A	70741	KIT, SHOCK VALVE (200 BAR, BLANK ORIFICE)	1
B		70742	KIT, SHOCK VALVE (200 BAR, .024 ORIFICE)	1
C		70743	KIT, SHOCK VALVE (200 BAR, .031 ORIFICE)	1
D		70744	KIT, SHOCK VALVE (200 BAR, .044 ORIFICE)	1
E		70836	KIT, SHOCK VALVE (160 BAR, BLANK ORIFICE)	1
F		70837	KIT, SHOCK VALVE (160 BAR, .024 ORIFICE)	1
G		70838	KIT, SHOCK VALVE (160 BAR, .031 ORIFICE)	1
H		70839	KIT, SHOCK VALVE (160 BAR, .044 ORIFICE)	1
N		2510050	KIT, CHECK VALVE (BLANK ORIFICE)	1
P		2510062	KIT, CHECK VALVE (.024 ORIFICE)	1
Q		2510027	KIT, CHECK VALVE (.031 ORIFICE)	1
R		2510034	KIT, CHECK VALVE (.044 ORIFICE)	1
T		71254	KIT, CHECK VALVE (.016 ORIFICE)	1

## SHOCK VALVE KITS, \*B\* SIDE

CHARACTER 6	ITEM #	COMPONENT #	DESCRIPTION	QTY
A	42B	70741	KIT, SHOCK VALVE (200 BAR, BLANK ORIFICE)	1
B		70742	KIT, SHOCK VALVE (200 BAR, .024 ORIFICE)	1
C		70743	KIT, SHOCK VALVE (200 BAR, .031 ORIFICE)	1
D		70744	KIT, SHOCK VALVE (200 BAR, .044 ORIFICE)	1
E		70836	KIT, SHOCK VALVE (160 BAR, BLANK ORIFICE)	1
F		70837	KIT, SHOCK VALVE (160 BAR, .024 ORIFICE)	1
G		70838	KIT, SHOCK VALVE (160 BAR, .031 ORIFICE)	1
H		70839	KIT, SHOCK VALVE (160 BAR, .044 ORIFICE)	1
N		2510050	KIT, CHECK VALVE (BLANK ORIFICE)	1
P		2510062	KIT, CHECK VALVE (.024 ORIFICE)	1
Q		2510027	KIT, CHECK VALVE (.031 ORIFICE)	1
R		2510034	KIT, CHECK VALVE (.044 ORIFICE)	1
T		71254	KIT, CHECK VALVE (.016 ORIFICE)	1



# PK SERIES SERVICE SCHEMATIC

MODEL NUMBER: 

P	K
1	2

 - 

3	4	5	6

 - 

*		*	
7	8	9	10

 - 

11	12	13	14

## END CAP & GEROTOR KITS

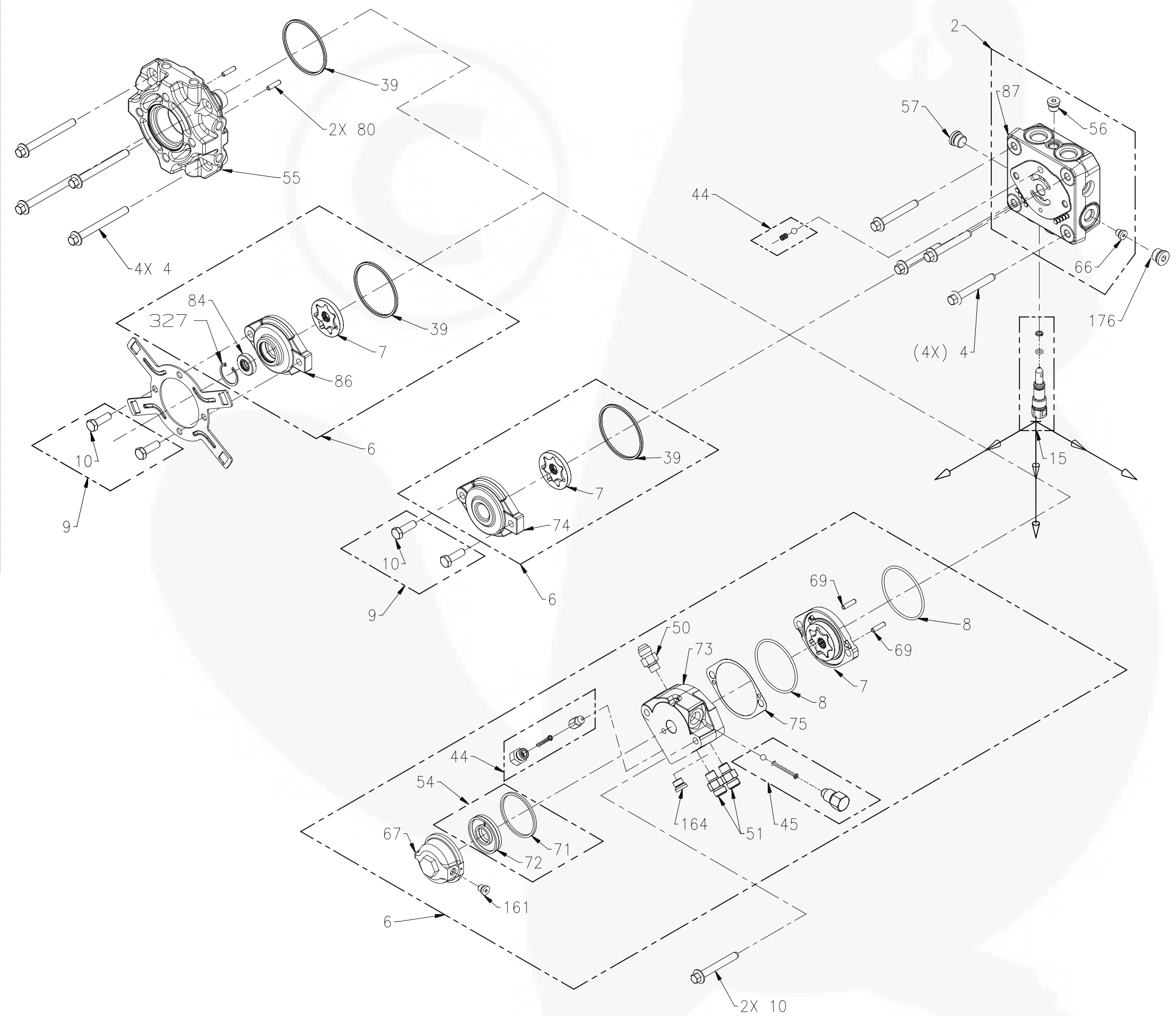
CHAR 7	ITEM #	COMPONENT #	DESCRIPTION	QTY	CONTAINS ITEMS:
E	2	72011	KIT, ENDCAP (STANDARD)	1	56,66,87
E	6	71246	KIT, CHARGE PUMP (STD CHG .19 ci/rev)	1	7,39,74
E	9	72254	KIT, CHARGE PUMP BOLT	1	10
E	44	70402	CHARGE RELIEF KIT, (1/4 PLASTIC BALL & 2000029 SPRING)	1	44
F	2	72011	KIT, ENDCAP (STANDARD)	1	56,66,87
F	6	70622	KIT, CHARGE PUMP (STD CHG, .13 ci/rev, THRU)	1	7,39,84,86,327
F	9	72254	KIT, CHARGE PUMP BOLT	1	10
F	44	70402	CHARGE RELIEF KIT, (1/4 PLASTIC BALL & 2000029 SPRING)	1	44
G	2	72011	KIT, ENDCAP (STANDARD)	1	56,66,87
G	6	71247	KIT, CHARGE PUMP (STD CHG .19 ci/rev, THRU)	1	7,39,84,86,327
G	9	72254	KIT, CHARGE PUMP BOLT	1	10
G	44	70402	CHARGE RELIEF KIT, (1/4 PLASTIC BALL & 2000029 SPRING)	1	44
J	2	72012	KIT, ENDCAP AUXILIARY	1	56,66,87
J	6	70472	KIT, AUXILIARY PUMP KIT	1	7,8,44,45,67,69,71-73,75,161,164
J	44	70471	KIT, CHARGE RELIEF VALVE (75-105 PSI)	1	44
L	2	72011	KIT, ENDCAP (STANDARD)	1	56,66,87
L	6	71261	KIT, CHARGE PUMP (STD CHG .13 ci/rev)	1	7,39,74
L	9	72254	KIT, CHARGE PUMP BOLT	1	10
L	44	70402	CHARGE RELIEF KIT, (1/4 PLASTIC BALL & 2000029 SPRING)	1	44
M	2	72011	KIT, ENDCAP (STANDARD)	1	56,66,87
M	6	71261	KIT, CHARGE PUMP (STD CHG .13 ci/rev)	1	7,39,74
M	9	72254	KIT, CHARGE PUMP BOLT	1	10
M	44	70403	CHARGE RELIEF KIT, (1/4 PLASTIC BALL & 50654 SPRING)	1	44
N	2	72011	KIT, ENDCAP (STANDARD)	1	56,66,87
N	6	70622	KIT, CHARGE PUMP (STD CHG, .13 ci/rev, THRU)	1	7,39,84,86,327
N	9	72254	KIT, CHARGE PUMP BOLT	1	10
N	44	70403	CHARGE RELIEF KIT, (1/4 PLASTIC BALL & 50654 SPRING)	1	44
W	2	72012	KIT, ENDCAP AUXILIARY	1	56,66,87
W	6	71362	KIT, AUXILIARY PUMP	1	7,8,44,45,51,67,69,71-73,75,161,164
W	44	70926	KIT, CHARGE RELIEF VALVE	1	44
W	51	51583	FITTING (FACE O-RING)	2	64
Z	2	72011	KIT, ENDCAP (STANDARD)	1	56,66,87
Z	6	71247	KIT, CHARGE PUMP (STD CHG .19 ci/rev, THRU)	1	7,39,84,86,327
Z	9	72254	KIT, CHARGE PUMP BOLT	1	10
Z	44	71361	CHARGE RELIEF KIT, (1/4 PLASTIC BALL & 52338 SPRING)	1	44
E,F,G,L, M,N,Z	4	50969	HF BOLT M8-1.25 x 60mm LG	4	4
	39	51016	O-RING	1	39
5	2	72013	KIT, ENDCAP TANDEM	1	56,66,87
5	4	52269	SCREW, HEX FLANGE M8 X 1.25 X 80	4	4
5	39	51016	O-RING	1	39
5	55	52267	PLATE, ADAPTER (GEAR AA)	1	55
5	80	50408	PIN, STRIAGHT HEADLESS	2	80
6	2	72013	KIT, ENDCAP TANDEM	1	56,66,87
6	4	52269	SCREW, HEX FLANGE M8 X 1.25 X 80	4	4
6	39	51016	O-RING	1	39
6	55	52264	PLATE, ADAPTER (GEAR A)	1	55
6	80	50408	PIN, STRIAGHT HEADLESS	2	80

## COMMON AUXILIARY CHARGE PARTS

CHAR 7	ITEM #	COMPONENT #	DESCRIPTION	QTY	CONTAINS ITEMS:
J,W	4	50969	HF BOLT 8M-1.25 x 60mm	4	4
J,W	8	9004100-1430	O-RING	2	8
J,W	10	50969	FH SCREW 8M-1.25 x 60mm	2	10
J,W	45	2510082	KIT, AUX RELIEF VALVE	1	45
J,W	54	2510090	KIT, AUX FILTER	1	71,72
J,W	67	53070	FILTER COVER	1	67
J,W	69	50408	PIN, DOWEL	2	69
J,W	75	51148	SHIM (.002 RED)	1	75
J,W	161	9005110-3100	PLUG, 5/16-24 STEEL	1	161
J,W	164	9005110-4400	PLUG, 7/16-20 STEEL	1	164

## BYPASS VALVE KIT

CHAR 9	ITEM #	COMPONENT #	DESCRIPTION	QTY
1	15	2513030	BYPASS VALVE KIT (BLANK)	1

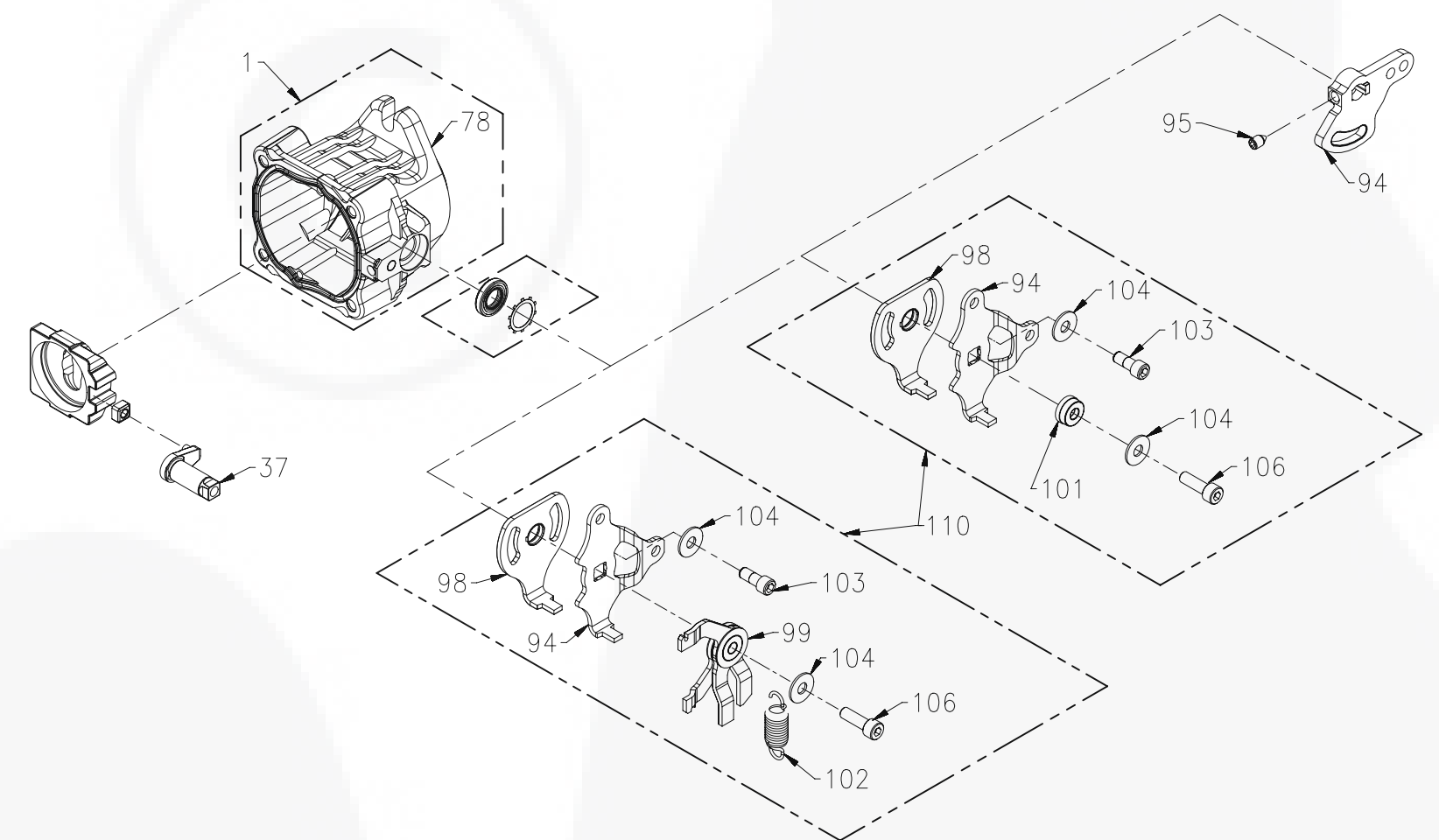


# PK SERIES SERVICE SCHEMATIC

MODEL NUMBER: P K - [ ] [ ] [ ] [ ] - [ ] \* [ ] [ ] - [ ] \* [ ] [ ] [ ]  
 CHARACTER #: 1 2 - 3 4 5 6 - 7 8 9 10 - 11 12 13 14

## TRUNNION ARM, HOUSING AND RETURN KITS

CHARACTER 8	CHARACTER 12	ITEM #	COMPONENT #	DESCRIPTION	QTY	CONTAINS ITEMS:
A, B	X	1	71717	KIT, HOUSING	1	78
		L	1	72267	KIT, HOUSING	1
	X, L	37	52866	ARM, TRUNNION, TAPERED SQUARE	1	37
		102	52401	SPRING, LIGHT	1	102
		110	71716	KIT, RTN, STD SCISSOR, LIGHT SPRING	1	94,98,99,102,103,104,106
C, D	X	1	71717	KIT, HOUSING	1	78
		L	1	72267	KIT, HOUSING	1
	X, L	37	52866	ARM, TRUNNION, TAPERED SQUARE	1	37
		102	52401	SPRING, LIGHT	1	102
		110	71718	KIT, RTN, CW SCISSOR, LIGHT SPRING	1	94,98,99,102,103,104,106
E, F	X	1	71717	KIT, HOUSING	1	78
		L	1	72267	KIT, HOUSING	1
	X, L	37	52866	ARM, TRUNNION, TAPERED SQUARE	1	37
		102	52401	SPRING, LIGHT	1	102
		110	71719	KIT, RTN, CCW SCISSOR, LIGHT SPRING	1	94,98,99,102,103,104,106
G, H	X	1	71717	KIT, HOUSING	1	78
		37	52866	ARM, TRUNNION, TAPERED SQUARE	1	37
		102	51605	SPRING, HVY	1	102
		110	71738	KIT, RTN, STD SCISSOR, HVY SPRING	1	94,98,99,102,103,104,106
		110	71717	KIT, HOUSING	1	78
J, K	X	37	52866	ARM, TRUNNION, TAPERED SQUARE	1	37
		102	51605	SPRING, HVY	1	102
		110	71739	KIT, RTN, CW SCISSOR, HVY SPRING	1	94,98,99,102,103,104,106
		1	71717	KIT, HOUSING	1	78
		110	71717	KIT, HOUSING	1	78
L, M	X	37	52866	ARM, TRUNNION, TAPERED SQUARE	1	37
		102	51605	SPRING, HVY	1	102
		110	71740	KIT, RTN, CCW SCISSOR, HVY SPRING	1	94,98,99,102,103,104,106
		1	71717	KIT, HOUSING	1	78
		110	71717	KIT, HOUSING	1	78
N, P	X	37	52866	ARM, TRUNNION, TAPERED SQUARE	1	37
		102	51833	SPRING, MEDIUM	1	102
		110	71741	KIT, RTN, STD SCISSOR, MEDIUM SPRING	1	94,98,99,102,103,104,106
		1	71717	KIT, HOUSING	1	78
		110	71717	KIT, HOUSING	1	78
Q, R	X	37	52866	ARM, TRUNNION, TAPERED SQUARE	1	37
		102	51833	SPRING, MEDIUM	1	102
		110	71742	KIT, RTN, CW SCISSOR, MEDIUM SPRING	1	94,98,99,102,103,104,106
		1	71717	KIT, HOUSING	1	78
		110	71717	KIT, HOUSING	1	78
T, U	X	37	52866	ARM, TRUNNION, TAPERED SQUARE	1	37
		102	51833	SPRING, MEDIUM	1	102
		110	71743	KIT, RTN, CCW SCISSOR, MEDIUM SPRING	1	94,98,99,102,103,104,106
		1	71717	KIT, HOUSING	1	78
		110	71717	KIT, HOUSING	1	78
V, W, 8	X	37	52866	ARM, TRUNNION, TAPERED SQUARE	1	37
		110	71744	KIT, RTN, BASIC#1 CONTROL ARM	1	94,101,104,106
		1	70516	KIT, HOUSING	1	78
Y	X	37	2003005	ARM, TRUNNION, DOUBLE D	1	37
		L	1	72358	KIT, HOUSING	1
Z	X	1	70516	KIT, HOUSING	1	78
		37	2003005	ARM, TRUNNION, DOUBLE D	1	37
		94	45007	ARM, CONTROL	1	94
	L	95	50018	SCREW, SOCKET HEAD SET, 5/16-24 X .50	1	95
		1	72358	KIT, HOUSING	1	78
1	X	1	71717	KIT, HOUSING	1	78
		37	52866	ARM, TRUNNION, TAPERED SQUARE	1	37



# PK SERIES SERVICE SCHEMATIC

MODEL NUMBER: 

P	K
1	2

 - 

3	4	5	6

 - 

		*	
7	8	9	10

 - 

*			
11	12	13	14

CHARACTER #: 


FAN KITS					
CHARACTER 10	ITEM #	COMPONENT #	DESCRIPTION	QTY	CONTAINS ITEMS:
X	N/A	N/A	NONE	0	NONE
A	90	71172	KIT, FAN	1	81,82,83,106
B	90	71172	KIT, FAN	1	81,82,83,106
	209	52016	BRACKET, SHROUD	1	209
C	90	71172	KIT, FAN	1	81,82,83,106
	209	52016	BRACKET, SHROUD	1	209
	210	52059	SHROUD, FAN	1	210
D	90	71172	KIT, FAN	1	81,82,83,106
	209	52016	BRACKET, SHROUD	1	209
E	90	71172	KIT, FAN	1	81,82,83,106
	209	52016	BRACKET, SHROUD	1	209
F	210	52059	SHROUD, FAN	1	210
	90	70811	KIT, FAN	1	81,82,83,106
G	209	52355	BRACKET, SHROUD	1	209
	210	52354	SHROUD, FAN	1	210
	90	70811	KIT, FAN	1	81,82,83,106
H	209	52355	BRACKET, SHROUD	1	209
	90	71348	KIT, FAN	1	81,82,83,106
J	209	52355	BRACKET, SHROUD	1	209
	210	52354	SHROUD, FAN	1	210
1	90	70793	KIT, FAN	1	81,82,83,106
2	90	71172	KIT, FAN	1	81,82,83,106

CHARACTER 10	ITEM #	COMPONENT #	DESCRIPTION	QTY	CONTAINS ITEMS:
A,B,C,D,E, F,G,H,J,1,2	106	52506	NUT, SIDELOCK 5/16-24UNF	1	106

TORQUE BRACKETS					
CHARACTER 11	ITEM #	COMPONENT #	DESCRIPTION	QTY	CONTAINS ITEMS:
X	N/A	N/A	NONE	0	
1 THRU 4	35	51593	TORQUE BRACKET	1	

