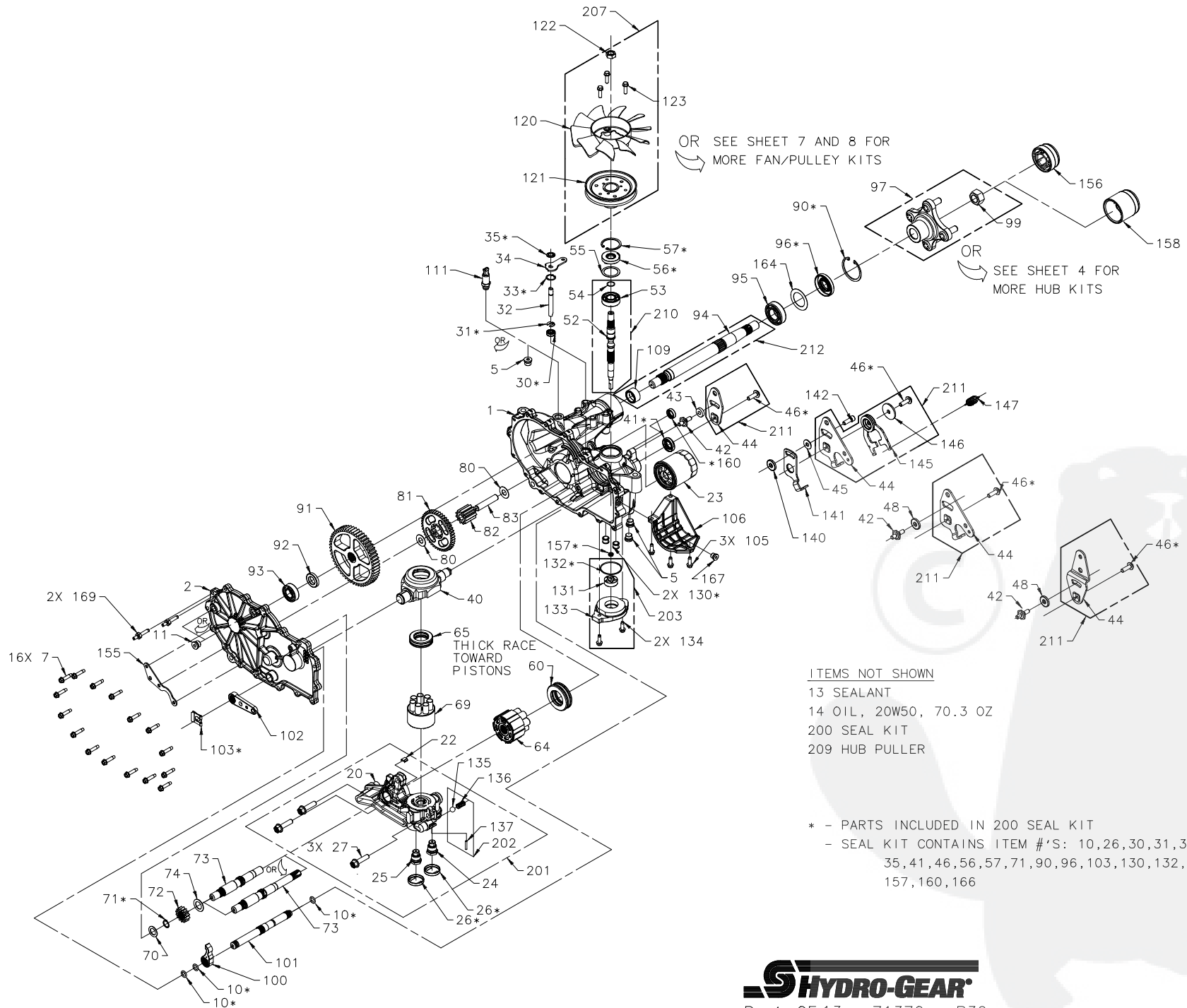


ZT-2800, ZT-3100 & ZT-3200 SERVICE SCHEMATIC



ITEMS NOT SHOWN
 13 SEALANT
 14 OIL, 20W50, 70.3 OZ
 200 SEAL KIT
 209 HUB PULLER

* - PARTS INCLUDED IN 200 SEAL KIT
 - SEAL KIT CONTAINS ITEM #'S: 10, 26, 30, 31, 33, 35, 41, 46, 56, 57, 71, 90, 96, 103, 130, 132, 157, 160, 166



ZT-2800, ZT-3100 & ZT-3200 SERVICE SCHEMATIC

MODEL NUMBER:

Z					
---	--	--	--	--	--

 -

*					
---	--	--	--	--	--

 -

--	--	--	--	--	--

 -

*	*				
---	---	--	--	--	--

 -

--	--	--	--	--	--

CHARACTER #:

1	2				
---	---	--	--	--	--

 -

3	4	5	6		
---	---	---	---	--	--

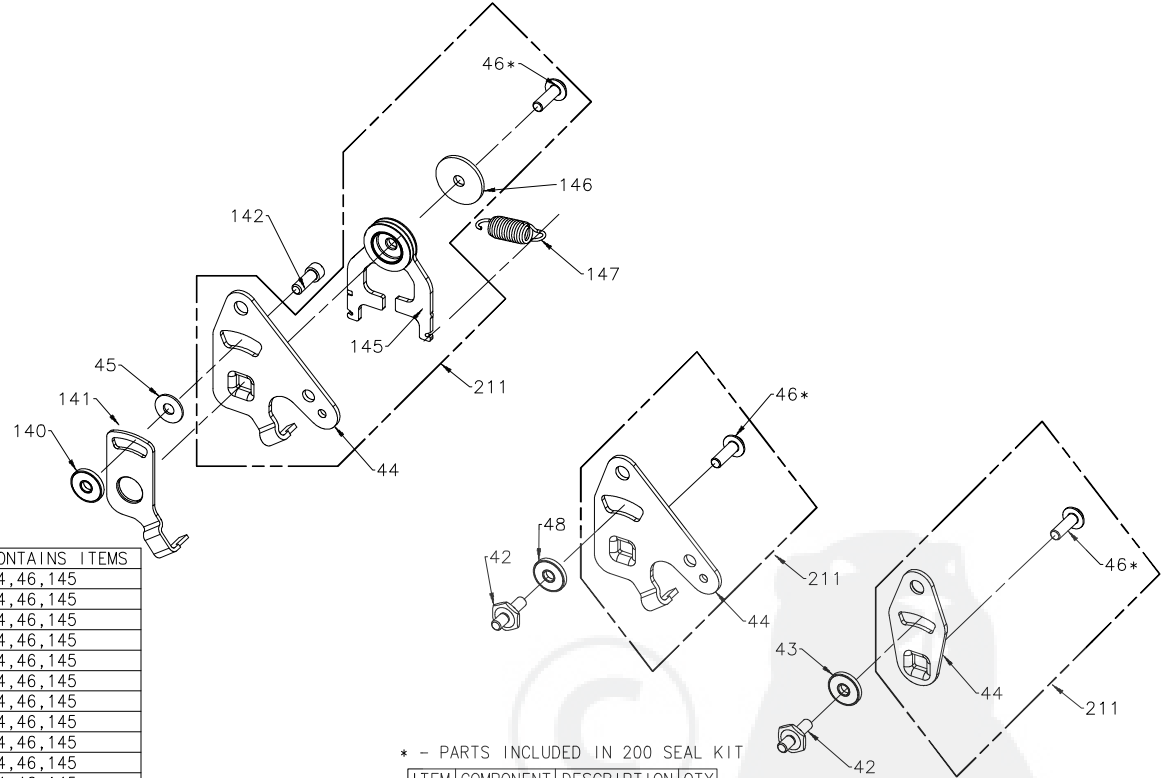
 -

7	8	9	10		
---	---	---	----	--	--

 -

11	12	13	14		
----	----	----	----	--	--

CONTROL TYPE					
CHAR 9	CHAR 10	ITEM	COMPONENT	DESCRIPTION	QTY
O, 5, N, P R, T	A	42	50426	STUD, SHORT 5/16-24	1
		43	52298	PUCK, FRICTION	1
		46	51812	TWCS 5/16-24 X 1.00 (PATCH)	1
	B, C, F, G	42	50426	STUD, SHORT 5/16-24	1
		46	51812	TWCS 5/16-24 X 1.00 (PATCH)	1
		48	51846	SPACER	1
2,3,4,7,8, 9,A,B,C,D, E,F,G,H,J, K,L,M	S	42	50426	STUD, SHORT 5/16-24	1
	B, C, F, G	45	44130	WASHER .34X.88X.06	1
		46	51812	TWCS 5/16-24 X 1.00 (PATCH)	1
		140	52527	SPACER .320 X 1.005 X .179	1
142	51616	SHCS 5/16-24X1 PATCH	1		



NEUTRAL ARM					
CHAR 9	CHAR 10	ITEM	COMPONENT	DESCRIPTION	QTY
2,3,4,7, 8,9,A,B, C,D,E,F, G,H,J,K, L,M	B,F	141	51945	ARM, NEUTRAL RIGHT	1
	C,G		51946	ARM, NEUTRAL LEFT	1

SPRING					
CHAR 9	CHAR 10	ITEM	COMPONENT	DESCRIPTION	QTY
2,3,4,7, 8,9	B, C, F, G	147	52401	SPRING, EXTNSN .57 X 2"	1
A, B, C, D, E, F			51833	SPRING, EXTNSN RTN-34LBS	1
G, H, J, K, L, M			51605	SPRING, EXTNSN RTN-44LBS	1

RTN ASSEMBLY & CONTROL ARM								
CHAR 3	CHAR 9	CHAR 10	ITEM	COMPONENT	DESCRIPTION	QTY	CONTAINS ITEMS	
G, H, J, N	2,A,G	C	211	71592	KIT, RTN, BIDIRECTIONAL	1	44,46,145	
		G		71598	KIT, RTN, BIDIRECTIONAL	1	44,46,145	
	7,D,K	B		71588	KIT, RTN, BIDIRECTIONAL	1	44,46,145	
		F		71595	KIT, RTN, BIDIRECTIONAL	1	44,46,145	
	3,B,H	C		71593	KIT, RTN, CCW	1	44,46,145	
		G		71599	KIT, RTN, CCW	1	44,46,145	
	8,E,L	B		71590	KIT, RTN, CW	1	44,46,145	
		F		71597	KIT, RTN, CW	1	44,46,145	
	4,C,J	C		71594	KIT, RTN, CW	1	44,46,145	
		G		71600	KIT, RTN, CW	1	44,46,145	
	9,F,M	B		71589	KIT, RTN, CCW	1	44,46,145	
		F		71596	KIT, RTN, CCW	1	44,46,145	
	0,T	A		71633	ARM, CONTROL	1	44,46	
				71635	ARM, CONTROL LH	1	44,46	
		G		71637	ARM, CONTROL LH	1	44,46	
				A	71633	ARM, CONTROL	1	44,46
		5,R		B	71634	ARM, CONTROL RH	1	44,46
				F	71636	ARM, CONTROL RH	1	44,46
K, L, M, P	2,A,G	B	211	71588	KIT, RTN, BIDIRECTIONAL	1	44,46,145	
		F		71595	KIT, RTN, BIDIRECTIONAL	1	44,46,145	
	7,D,K	C		71592	KIT, RTN, BIDIRECTIONAL	1	44,46,145	
		G		71598	KIT, RTN, BIDIRECTIONAL	1	44,46,145	
	3,B,H	B		71590	KIT, RTN, CW	1	44,46,145	
		F		71597	KIT, RTN, CW	1	44,46,145	
	8,E,L	C		71593	KIT, RTN, CCW	1	44,46,145	
		G		71599	KIT, RTN, CCW	1	44,46,145	
	4,C,J	B		71589	KIT, RTN, CCW	1	44,46,145	
		F		71596	KIT, RTN, CCW	1	44,46,145	
	9,F,M	C		71594	KIT, RTN, CW	1	44,46,145	
		G		71600	KIT, RTN, CW	1	44,46,145	
	0,T	A		71633	ARM, CONTROL	1	44,46	
				71634	ARM, CONTROL RH	1	44,46	
		F		71636	ARM, CONTROL RH	1	44,46	
				A	71633	ARM, CONTROL	1	44,46
		5,R		C	71635	ARM, CONTROL LH	1	44,46
				G	71637	ARM, CONTROL LH	1	44,46
	H	72370		ARM, CONTROL	1	44,46		

* - PARTS INCLUDED IN 200 SEAL KIT

ITEM	COMPONENT	DESCRIPTION	QTY
200	71410	KIT, SEAL	1



REDUCTION RATIO

CHAR 2	ITEM	COMPONENT	DESCRIPTION	QTY
H	72	52149	GEAR, 16T	1
	81	52148	GEAR, 43T	1
J	72	52344	GEAR, 16T, STEEL	1
	81	52148	GEAR, 43T	1
K	72	52109	GEAR, 14T	1
	81	52110	GEAR, 45T	1
L	72	52341	GEAR, 14T, STEEL	1
	81	52110	GEAR, 45T	1
M	72	52342	GEAR, 13T, STEEL	1
	81	52343	GEAR, 46T	1

ZT-2800, ZT-3100 & ZT-3200 SERVICE SCHEMATIC

MODEL NUMBER:

Z	*
---	---

 -

*	*	*
---	---	---

 -

*			
---	--	--	--

 -

--	--	--	--	--

 -

11	12	13	14
----	----	----	----

CHARACTER #:

1	2
---	---

 -

3	4	5	6
---	---	---	---

 -

7	8	9	10
---	---	---	----

 -

--	--	--	--	--

SIDE COVER AND GEAR

CHAR 7	CHAR 2	CHAR 3	ITEM #	COMPONENT	DESCRIPTION	QTY
1, 2	H, K	G, H, J, N	2, 82	71541	SEE PAGE 9	1
		K, L, M, P		71543		1
	J, L, M	G, H, J, N		71542		1
		K, L, M, P		71544		1
3, 4, 5, 6, 7	H, K	-----	82	52583	GEAR, 11T	1
		J, L, M		52586	GEAR, 11T, STEEL	1

COMMON PARTS

ITEM	COMPONENT	DESCRIPTION	QTY
22	51448	PLATE, BYPASS	1
26	52162	SEAL, PLUG 1.250 X .250	2
27	52137	HFCS 3/8-16X1.5 (PATCH)	3
40	51048	TRUNNION, SWASHPLATE	1
60	51462	BEARING, THRUST	1
65	50551	BRG, THRUST BALL 30X52X13	1
69	70723	ASS'Y, BLOCK 7 PISTON	1
70	44371	WASHER .63X1.0X.05	1
71	44145	RING, RETAINING .625	1
74	51069	WASHER .72X1.16X.04	1
80	50132	WASHER .5X1.0X.03	2
83	51083	JACK SHAFT (PIN)	1
200	71410	KIT, SEAL	1

BLOCK KIT

CHAR 7	ITEM	COMPONENT	DESCRIPTION	QTY
1, 2	64	72158	KIT, 16cc MOTOR BLOCK	1
3-7	64	71579	KIT, 16cc MOTOR BLOCK	1

MOTOR SHAFT

CHAR 7	ITEM	COMPONENT	DESCRIPTION	QTY
3, 4, 5, 6, 7	73	52150	SHAFT, MOTOR	1
4	73	53136	SHAFT, MOTOR	1
A	73	54325	SHAFT, MOTOR	1

CENTER SECTION KITS

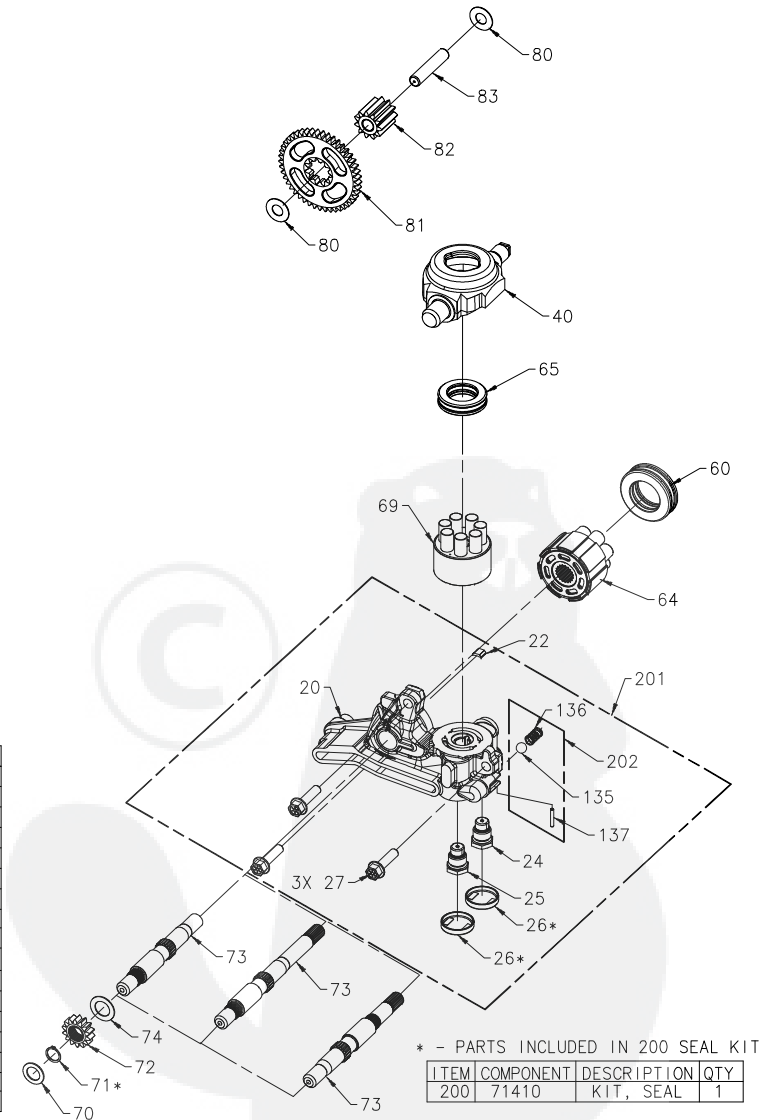
CHAR 7	CHAR 3	CHAR 5	CHAR 6	ITEM	COMPONENT	DESCRIPTION	QTY	CONTAINS ITEMS				
3, 4, 5, 6, 7	G THRU MA G, H, N J K, L, P M	E	E	64	71579	ASS'Y, CYLINDER BLOCK, 16cc	1	64				
					71561	KIT, CENTER SECTION, RH, CHRG	1	20, 22, 24, 25, 26, 27, 135, 136, 137				
					71562	KIT, CENTER SECTION, RH	1	20, 22, 24, 25, 26, 27				
					71563	KIT, CENTER SECTION, LH, CHRG	1	20, 22, 24, 25, 26, 27, 135, 136, 137				
					71564	KIT, CENTER SECTION, LH	1	20, 22, 24, 25, 26, 27				
					71565	KIT, CENTER SECTION, RH, CHRG	1	20, 22, 24, 25, 26, 27, 135, 136, 137				
	G, H, N K, L, P G, H, N K, L, P G, N	F	F	201	72114	KIT, CENTER SECTION, RH, CHRG	1	20, 22, 24, 25, 26, 27, 135, 136, 137				
					72115	KIT, CENTER SECTION, LH, CHRG	1	20, 22, 24, 25, 26, 27, 135, 136, 137				
					71838	KIT, CENTER SECTION, RH, CHRG	1	20, 22, 24, 25, 26, 27, 135, 136, 137				
					71839	KIT, CENTER SECTION, LH, CHRG	1	20, 22, 24, 25, 26, 27, 135, 136, 137				
					71638	KIT, CENTER SECTION, RH, CHRG	1	20, 22, 24, 25, 26, 27, 135, 136, 137				
					71639	KIT, CENTER SECTION, LH, CHRG	1	20, 22, 24, 25, 26, 27, 135, 136, 137				
	K, P J M J M	P	P	201	71567	KIT, CENTER SECTION, RH	1	20, 22, 24, 25, 26, 27				
					71568	KIT, CENTER SECTION, LH	1	20, 22, 24, 25, 26, 27				
					71580	KIT, CENTER SECTION, RH	1	20, 22, 24, 25, 26, 27				
					71581	KIT, CENTER SECTION, LH	1	20, 22, 24, 25, 26, 27				
					J M	B	B	201	71567	KIT, CENTER SECTION, RH	1	20, 22, 24, 25, 26, 27
									71568	KIT, CENTER SECTION, LH	1	20, 22, 24, 25, 26, 27
J M	B	C	201	71567	KIT, CENTER SECTION, RH	1	20, 22, 24, 25, 26, 27					
				71568	KIT, CENTER SECTION, LH	1	20, 22, 24, 25, 26, 27					

CHARGE RELIEF KIT

CHAR 3	ITEM	COMPONENT	DESCRIPTION	QTY	CONTAINS ITEMS
G, H, K, L, N, P	202	71436	KIT, CHARGE RELIEF	1	135, 136, 137

CENTER SECTION KIT AND BLOCK ASSEMBLY

CHAR 7	CHAR 3	CHAR 5	CHAR 6	ITEM	DESCRIPTION
1, 2	G, K	A THRU R	A THRU R	64	REFERENCE SHEET 10 FOR UNIT REPLACEMENT
				201	(REFERENCE BLN-52696)



ITEM	COMPONENT	DESCRIPTION	QTY
200	71410	KIT, SEAL	1



ZT-2800, ZT-3100 & ZT-3200 SERVICE SCHEMATIC

MODEL NUMBER:

Z			
---	--	--	--

 -

*			
---	--	--	--

 -

--	--	--	--

 -

--	--	--	--

 CHARACTER #:

1	2
---	---

 -

3	4	5	6
---	---	---	---

 -

7	8	9	10
---	---	---	----

 -

11	12	13	14
----	----	----	----

AXLE KITS (CONTAIN ITEM #'S 94 & 109)

CHAR 4	ITEM	COMPONENT	DESCRIPTION	QTY
A THRU E L, M	212	71569	KIT, SHAFT, AXLE	1
F THRU K N, P		71570	KIT, SHAFT, AXLE	1
R		53527	SHAFT, AXLE	1

HUB KITS (INCLUDES HUB, STUDS AND AXLE NUT)

CHAR4	ITEM	COMPONENT	DESCRIPTION	QTY
B, G	97	71404	KIT, HUB, 4 BOLT	1
	156	53088	CAP, AXLE	1
C, H	97	71405	KIT, HUB, 4 BOLT	1
	156	53088	CAP, AXLE	1
L, N	97	71445	KIT, HUB, 4 BOLT	1
	158	53501	CAP, AXLE	1
M, P	97	71446	KIT, HUB, 4 BOLT	1
	158	53501	CAP, AXLE	1
E, K	97	71691	KIT, HUB, 5 BOLT	1
	156	53088	CAP, AXLE	1

HUB PULLER (INCLUDES BOLT)

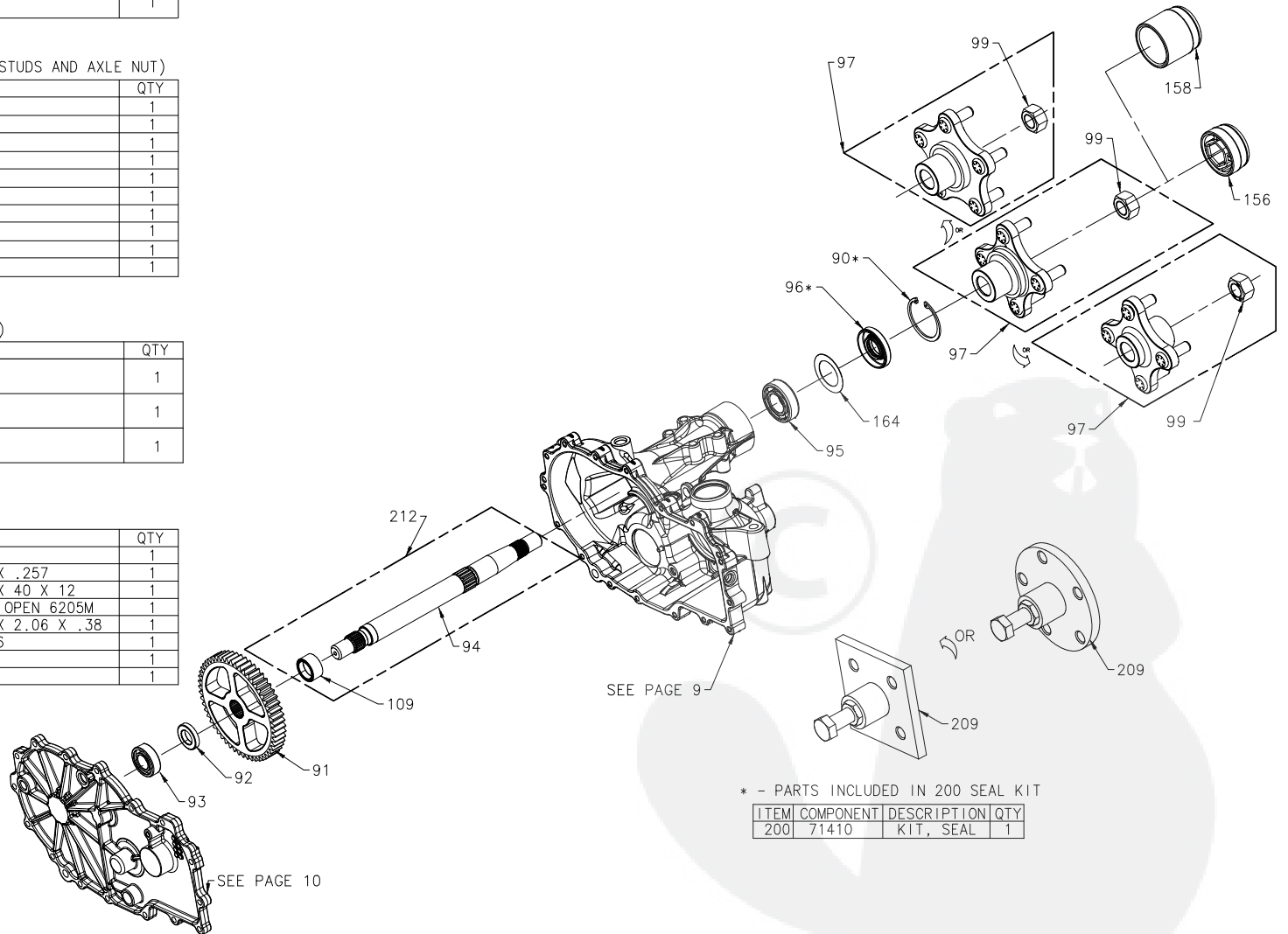
CHAR4	ITEM	COMPONENT	DESCRIPTION	QTY
B, C, G, H	209	71241	HUB PULLER, 4 BOLT	1
L, M, N, P		71459	HUB PULLER, 4 BOLT	1
E, K		71784	HUB PULLER, 5 BOLT	1

COMMON PARTS

ITEM	COMPONENT	DESCRIPTION	QTY
90	50859	RING, RET 2.06 INT	1
92	53336	SPACER, .75 X 1.32 X .257	1
93	44121	BEARING, BALL, .75 X 40 X 12	1
95	53656	BRG, BALL 1.0X52X15 OPEN 6205M	1
96	53699	SEAL, LIP TC4, 1.0 X 2.06 X .38	1
99	53768	NUT, HEX LOCK 3/4-16	1
164	53514	SPACER	1
200	71410	KIT, SEAL	1

BULL GEAR

CHAR 4	ITEM	COMPONENT	DESCRIPTION	QTY
A, K, L, M, N, P	91	52108	GEAR, 54T	1
R		53327	GEAR, 54T	1



* - PARTS INCLUDED IN 200 SEAL KIT

ITEM	COMPONENT	DESCRIPTION	QTY
200	71410	KIT, SEAL	1

BYPASS ARM

CHAR 11	ITEM	COMPONENT	DESCRIPTION	QTY
1	34	51629	ARM, BYPASS	1
2		51910	ARM, BYPASS	1
3		52370	ARM, BYPASS	1
4		52742	ARM, BYPASS	1

ZT-2800, ZT-3100 & ZT-3200 SERVICE SCHEMATIC

MODEL NUMBER: Z - * - * - *
 CHARACTER #: 1 2 - 3 4 5 6 - 7 8 9 10 - 11 12 13 14

BRAKE ARM

CHAR 7	CHAR 3	CHAR 8	CHAR 14	ITEM	COMPONENT	DESCRIPTION	QTY	
1	G,H,J, K,L,M, N,P	A,B,C, E,F,G	X,1,2	102	52501	HANDLE, ACTUATING	1	
2						52499	ARM, BRAKE 2*	1
3,6,7						53973	HANDLE, ACTUATING	1
3,6,7						53973	HANDLE, ACTUATING	1
5	G,H,J,N	A,B,C,E,F,G	X,1,2	71957	71958	KIT, BRAKE ARM RIGHT HAND	1	
5	K,L,M,P	J,K,L,N,P,R				KIT, BRAKE ARM LEFT HAND	1	
3	G,H,J,N	K	1	52639	HANDLE, ACTUATING	1		

BRAKE SHAFT

CHAR 7	CHAR 8	ITEM	COMPONENT	DESCRIPTION	QTY
3,5,6,7	A,B,C, E,F,G J,K,L, N,P,R	101	52651	SHAFT, BRAKE	1
REFERENCE SHEET 10 FOR BRAKE SHAFT OPTIONS					

CHARGE COMPONENTS

CHAR 3	ITEM	COMPONENT	DESCRIPTION	QTY
G,H,K, L,N,P	130	52157	TUBE, CONNECTING	2
	131	50273	GEROTOR ASSEMBLY (1.9 cc/rev)	1
	132	52250	O-RING, -137, 0.103 X 2.050	1
	134	50752	HFCS 1/4-20X.75	2
	157	72291	KIT, GEROTOR SEAL	1
G,H,K,L N,P	133	53738	COVER, CHARGE PUMP	1
	133	53738	COVER, CHARGE PUMP	1

INPUT SHAFT AND CHARGE KITS

CHAR 3	CHAR 12	ITEM	COMPONENT	DESCRIPTION	QTY	CONTAINS ITEMS
G,H,K,L	A-H	203	72274	KIT, CHARGE PUMP	1	131,132,133,134
	L-Y	210	71442	KIT, INPUT SHAFT	1	52,53,54
N,P	A-H	203	72274	KIT, CHARGE PUMP	1	131,132,133,134
	L-Y	210	71442	KIT, INPUT SHAFT	1	52,53,54
J,M		210	71443	KIT, INPUT SHAFT	1	52,53,54

BRAKE BIAS SPRING

CHAR 7	CHAR 3	ITEM	COMPONENT	DESCRIPTION	QTY
5,6	G,H,J,N K,L,M,P	159	53429	SPRING, TORSION, CCW	1
			53483	SPRING, TORSION, CW	1
7	G,H,J,N	165	53781	GUIDE, SPRING RETURN	1
		168	53783	SPRING, TORSION, RH	1
	K,L,M,P	165	53781	GUIDE, SPRING RETURN	1
		168	53782	SPRING, TORSION, LH	1

COMMON PARTS

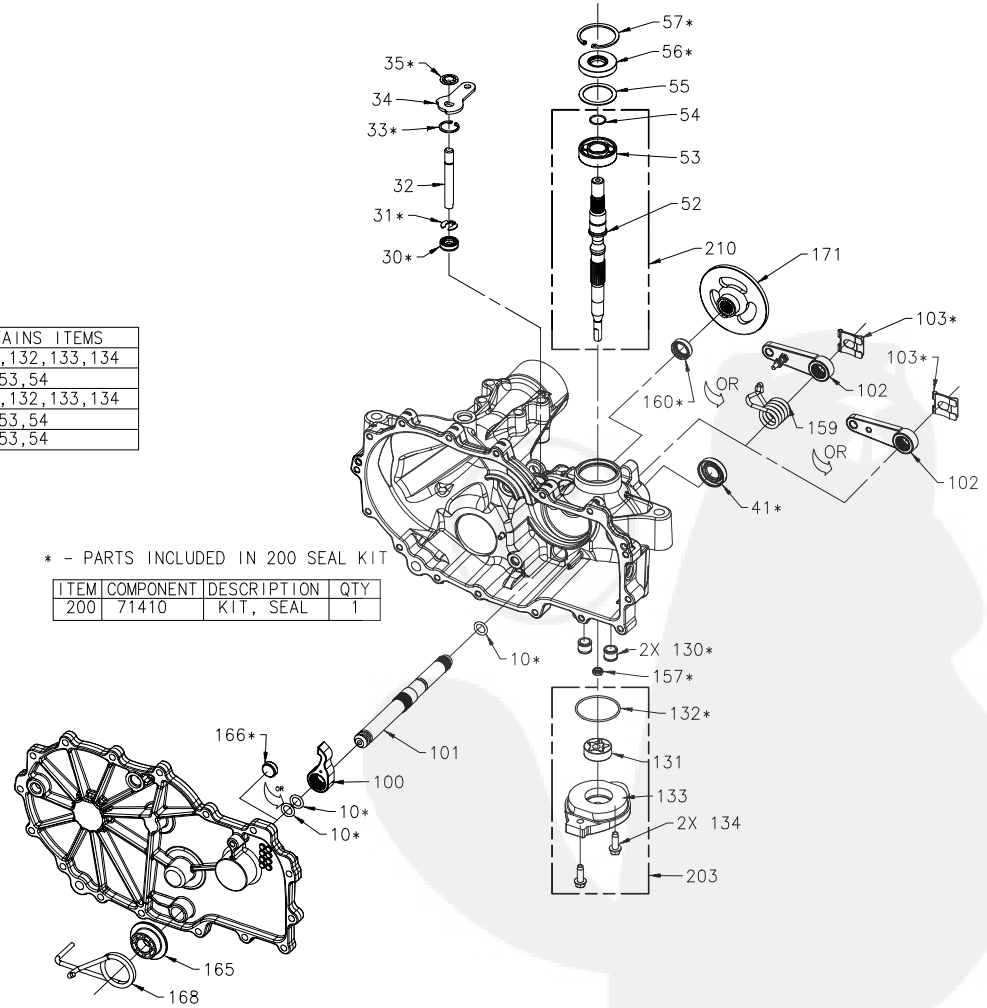
ITEM	COMPONENT	DESCRIPTION	QTY
30	51626	SEAL, LIP .375X.75X.25	1
31	51628	RING, RET .375 EXTRNL	1
32	52136	ROD, BYPASS	1
33	51627	RING, RET .750 INTRNL	1
35	51630	RING, RTNG .375 EXT	1
41	51140	SEAL, LIP 12 X 32 X 7	1
55	50951	WASHER 1.23X1.56X.04	1
56	51161	SEAL, LIP 17X40X7	1
57	50329	RING, RETAINING	1

BRAKE COMPONENT

CHAR 7	ITEM	COMPONENT	DESCRIPTION	QTY
3,5,6,7	10	51804	O-RING - 111 .103 X .424	3
	100	52766	PAWL, BRAKE	1
	103	52027	CLIP, RETAINING	1
4	160	53138	SEAL, LIP .625 x .875 x .25	1
	166	53139	SEAL, PLUG .64 x .25	1
	171	52582	BRAKE ROTOR	1

BRAKE COMPONENT

CHAR 7	ITEM	DESCRIPTION
1,2	100	REFERENCE SHEET 10 FOR UNIT REPLACEMENT
	101	
	104	
	208	

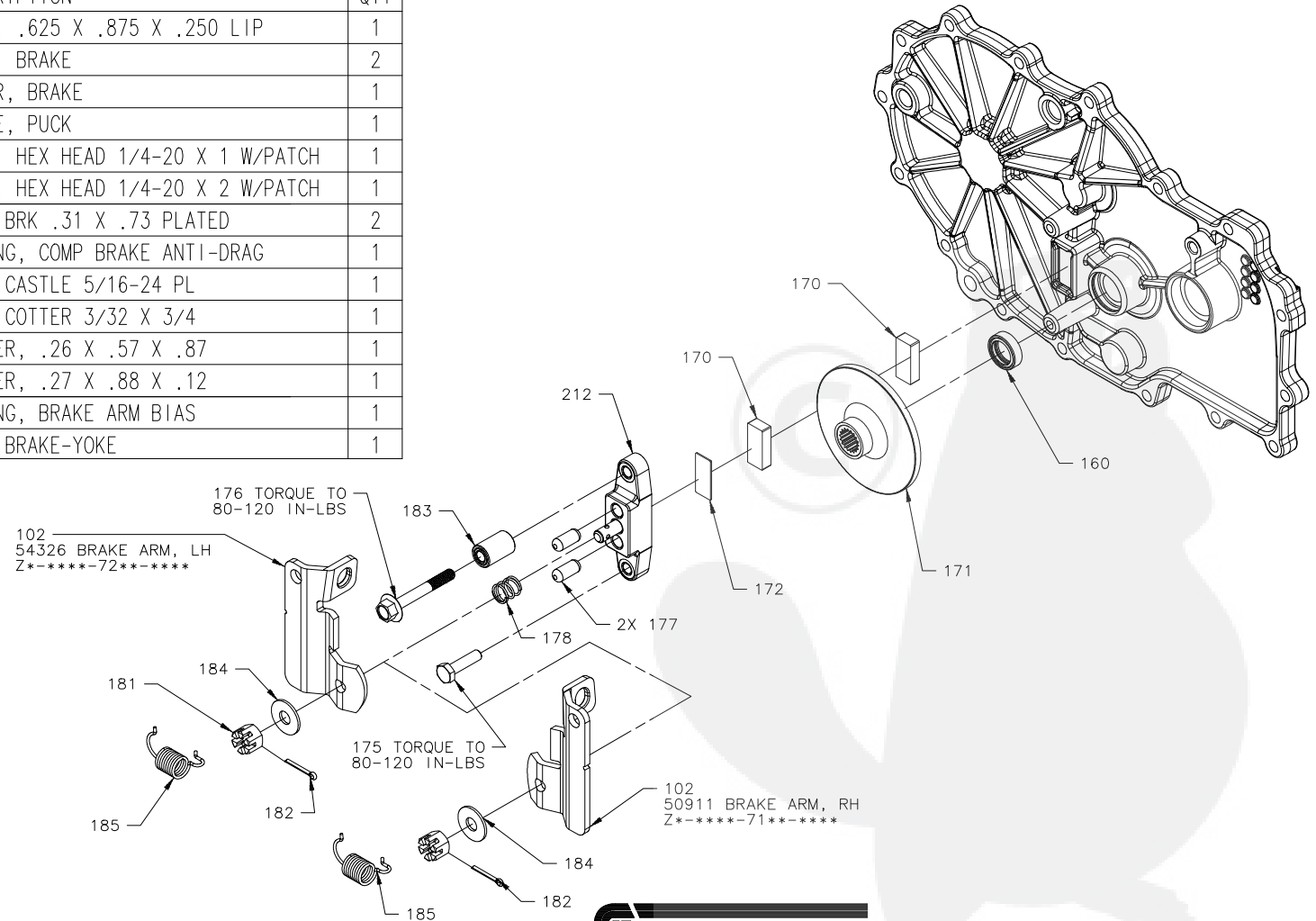


ZT-2800, ZT-3100 & ZT-3200 SERVICE SCHEMATIC

MODEL NUMBER: Z - - - * * -
 CHARACTER #: 1 2 - 3 4 5 6 - 7 8 9 10 - 11 12 13 14

BRAKE					
CHAR 7	CHAR 8	ITEM	COMPONENT	DESCRIPTION	QTY
A	1	102	50911	ARM, BRAKE	1
	2	102	54326	ARM, BRAKE	1

BRAKE				
CHAR 7	ITEM	COMPONENT	DESCRIPTION	QTY
A	160	53138	SEAL, .625 X .875 X .250 LIP	1
	170	44132	PUCK, BRAKE	2
	171	53989	ROTOR, BRAKE	1
	172	44134	PLATE, PUCK	1
	175	44433	BOLT, HEX HEAD 1/4-20 X 1 W/PATCH	1
	176	51146	BOLT, HEX HEAD 1/4-20 X 2 W/PATCH	1
	177	44127	PIN, BRK .31 X .73 PLATED	2
	178	50919	SPRING, COMP BRAKE ANTI-DRAG	1
	181	44141	NUT, CASTLE 5/16-24 PL	1
	182	44101	PIN, COTTER 3/32 X 3/4	1
	183	23711	SPACER, .26 X .57 X .87	1
	184	44130	WASHER, .27 X .88 X .12	1
	185	50884	SPRING, BRAKE ARM BIAS	1
	212	70633	KIT, BRAKE-YOKE	1



ZT-2800, ZT-3100 & ZT-3200 SERVICE SCHEMATIC

MODEL NUMBER:

Z	
---	--

 -

--	--	--	--

 -

*	*		
---	---	--	--

 -

--	--	--	--

 CHARACTER #:

1	2
---	---

 -

3	4	5	6
---	---	---	---

 -

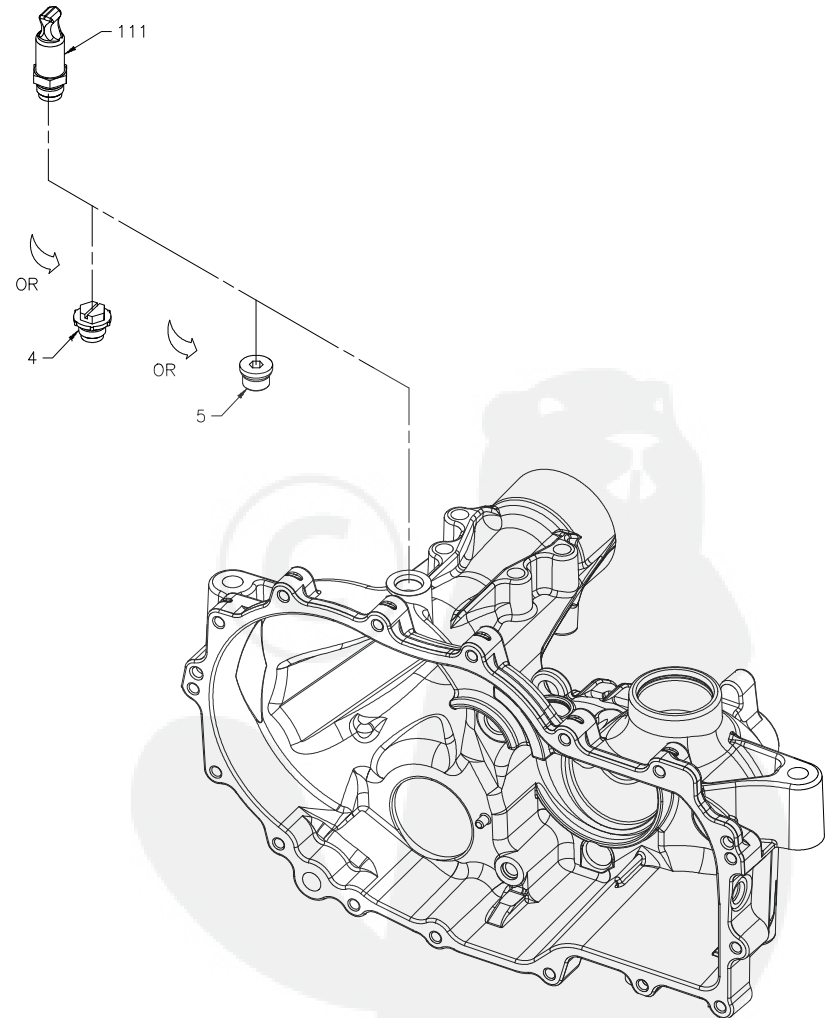
7	8	9	10
---	---	---	----

 -

11	12	13	14
----	----	----	----

BREATHER FITTINGS AND PLUGS

CHAR 5	CHAR 13	ITEM	COMPONENT	DESCRIPTION	QTY
	L	111	71393	FITTING, STR 9/16-18 SAE .5 BARB	1
A THRU C	R	5	9005110-5600	PLUG 9/16-18 (METAL)	1
	X	4	9005200-5600	PLUG 9/16-18 (PLASTIC)	1
K THRU T	X	5	9005110-5600	PLUG 9/16-18 (METAL)	3



ZT-2800, ZT-3100 & ZT-3200 SERVICE SCHEMATIC

MODEL NUMBER:

Z	
1	2

 -

*			
3	4	5	6

 -

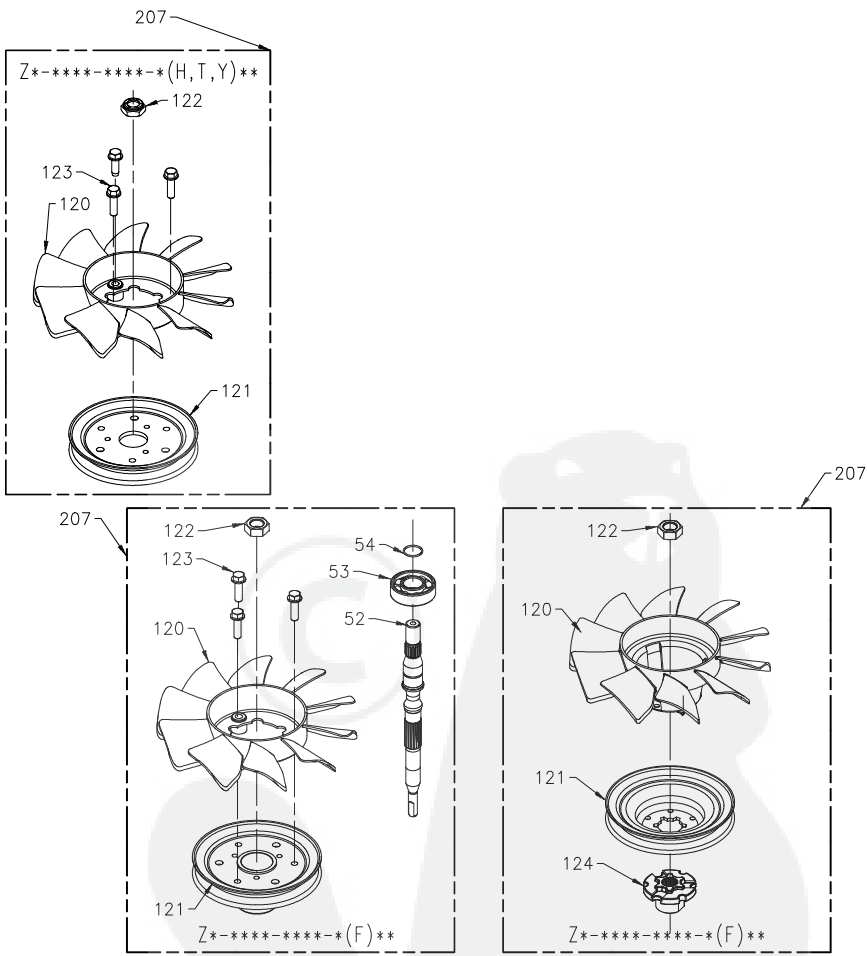
7	8	9	10

 -

	*		
11	12	13	14

FAN & PULLEY KIT

CHAR12	CHAR3	ITEM	COMPONENT	DESCRIPTION	QTY
X	G - P			N/A	
F	J, M	207	72124	KIT, FAN & PULLEY	1
		207	71833	KIT, FAN & PULLEY	1
	G, H, K, L, N, P	52		SHAFT, INPUT	1
		53		BEARING, BALL 17MM X 40MM 12 MM	1
		54		RING, RETAINING	1
		120		FAN 7.0 (BLADE)	1
		121		PULLEY 4.5	1
		122	44133	NUT, HEX JAM 1/2-20 W/PATCH	1
		123	51076	HFHCS 1/4-20 X .875	3
		207	71826	KIT, FAN & PULLEY	1
H	G	120	52576	FAN 7.0 (10 BLADE)	1
		121	51182	PULLEY 4.5 INCH	1
		122	44133	NUT, HEX JAM 1/2-20 W/PATCH	1
		123	51076	HFHCS 1/4-20 X .875	3
		207	71511	KIT, FAN & PULLEY	1
T	G	120	52576	FAN 7.0 (10 BLADE)	1
		121	51182	PULLEY 4.5	1
		122	44133	NUT, HEX JAM 1/2-20 W/PATCH	1
W	THRU	207	72132	KIT, FAN - PULLEY	1
Y	P	207	71655	KIT, FAN & PULLEY	1
		120	52901	FAN 7.0 (10 BLADE)	1
		121	51182	PULLEY 4.5	1
		122	44133	NUT, HEX JAM 1/2-20 W/PATCH	1
		123	51076	SCREW, HEX 1/4-20 X .875	3
A		207	72124	KIT, FAN - PULLEY	1
B		207	72130	KIT, FAN - PULLEY	1
E		207	72125	KIT, FAN - PULLEY	1
K,L,R		207	72134	KIT, FAN - PULLEY	1



ZT-2800, ZT-3100 & ZT-3200 SERVICE SCHEMATIC

MODEL NUMBER:

Z	
1	2

 -

*			
3	4	5	6

 -

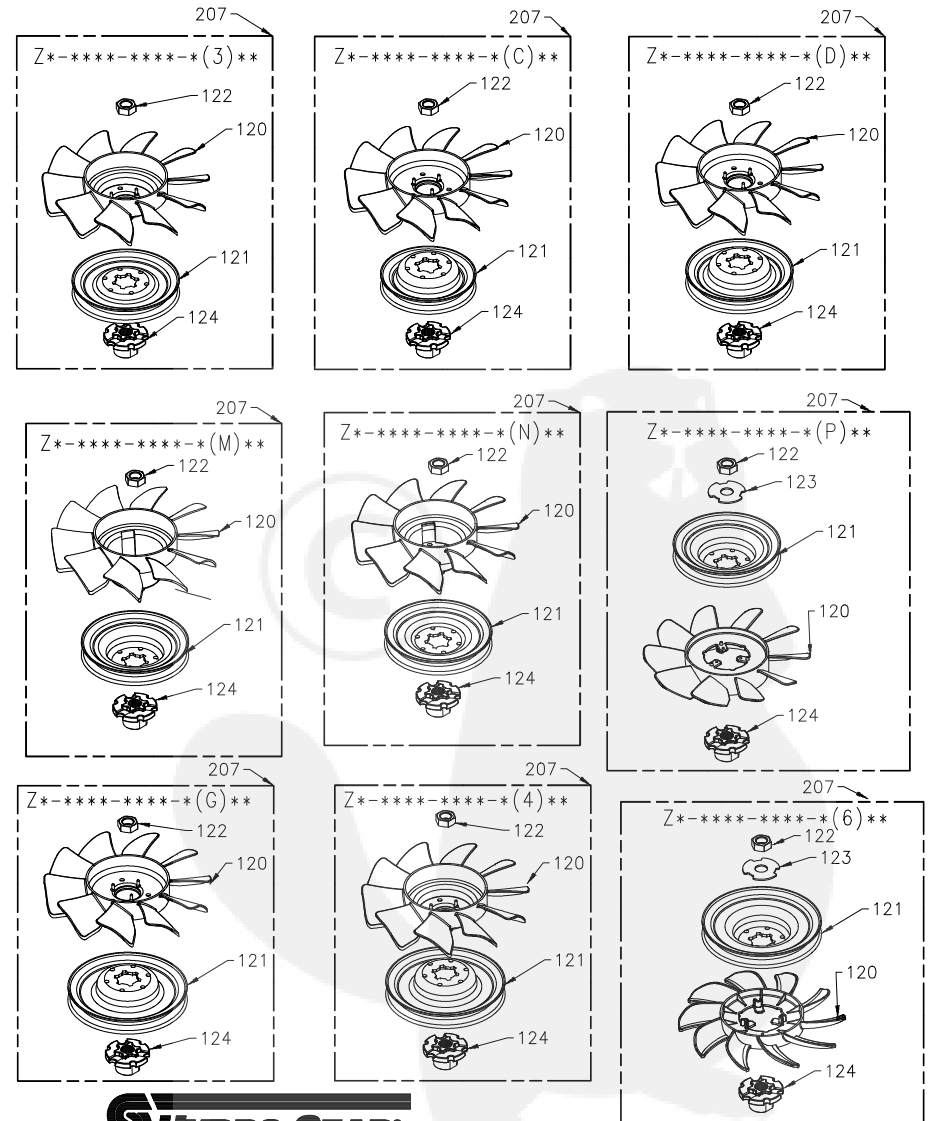
7	8	9	10

 -

	*		
11	12	13	14

FAN & PULLEY KIT

CHAR12	CHAR3	ITEM	COMPONENT	DESCRIPTION	QTY
3		207	72126	KIT, FAN & PULLEY	1
		120	53824	FAN, 7.0 (10 BLADE) W/INSERT	1
		121	53806	DISC, PULLEY, CUPPED 4.5 INCH	1
		122	44133	NUT, HEX JAM 1/2-20 W/PATCH	1
C		124	53812	HUB,PULLEY	1
		207	72130	KIT, FAN/PULLEY	1
		120	53822	FAN, 7.0 (10 BLADE) W/INSERT	1
		121	53815	DISC, PULLEY, CUPPED 4.0 INCH	1
D		122	44133	NUT, HEX JAM 1/2-20 W/PATCH	1
		124	53812	HUB,PULLEY	1
		207	72131	KIT, FAN/PULLEY	1
		120	53822	FAN, 7.0 (10 BLADE) W/INSERT	1
M		121	53804	DISC, PULLEY, CUPPED, 4.5 INCH	1
		122	44133	NUT, HEX 1/2-20 PATCH	1
		124	53812	HUB,PULLEY	1
		207	72124	KIT, FAN/PULLEY	1
N		120	53821	FAN, 7.0 (10 BLADE), W/INSERT	1
		121	53804	DISC, PULLEY, CUPPED, 4.5 INCH	1
		122	44133	NUT, HEX JAM 1/2-20 W/PATCH	1
		124	53812	HUB,PULLEY	1
P	G	207	72125	KIT, FAN/PULLEY	1
		120	53823	FAN, 7.0 (10 BLADE)	1
		121	53806	PULLEY 4.5 INCH	1
		122	44133	NUT, HEX JAM 1/2-20 W/PATCH	1
P	P	124	53812	HUB,PULLEY	1
		207	72134	KIT, FAN/PULLEY	1
		120	53810	FAN, 7.0 (10 BLADE) W/INSERT	1
		121	53804	DISC, PULLEY, CUPPED, 4.5 INCH	1
G		122	44133	NUT, HEX JAM 1/2-20 W/PATCH	1
		123	51523	WASHER, OD SLOTTED .53 X 1.63 X .06	1
		124	53812	HUB,PULLEY	1
		207	72132	KIT, FAN/PULLEY	1
4		120	53822	FAN 7.0 (10 BLADE)	1
		121	53609	PULLEY Ø5.0 INCH	1
		122	44133	NUT, HEX JAM 1/2-20 W/PATCH	1
		124	53812	HUB,PULLEY	1
6		207	72271	KIT, FAN/PULLEY	1
		120	53824	FAN 7.0 (10 BLADE)	1
		121	53609	PULLEY Ø5.0 INCH	1
		122	44133	NUT, HEX JAM 1/2-20 W/PATCH	1
6		124	53812	HUB,PULLEY	1
		207	72135	KIT, FAN/PULLEY	1
		120	53994	FAN 7.0 (10 BLADE)	1
		121	53609	DISC, PULLEY, CUPPED 5.0 INCH	1
6		122	44133	NUT, HEX JAM 1/2-20 W/PATCH	1
		123	51523	WASHER, OD SLOTTED .53 X 1.63 X .06	1
		124	53812	HUB,PULLEY	1



ZT-2800, ZT-3100 & ZT-3200 SERVICE SCHEMATIC

MODEL NUMBER:

Z	
---	--

 -

*		*	
---	--	---	--

 -

*		*	
---	--	---	--

 -

--	--	--	--

 CHARACTER #:

1	2
---	---

 -

3	4	5	6
---	---	---	---

 -

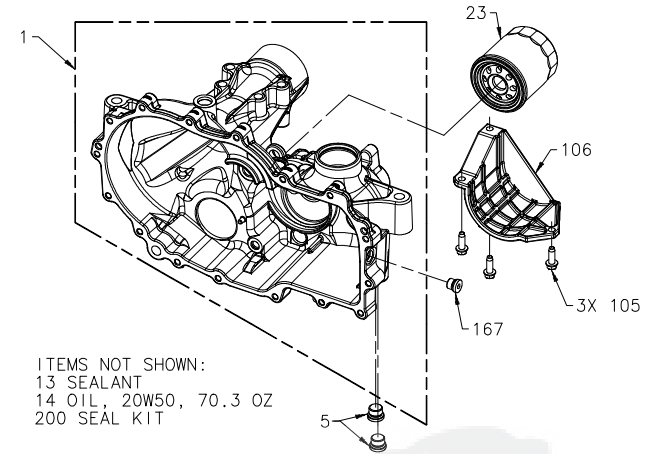
7	8	9	10
---	---	---	----

 -

11	12	13	14
----	----	----	----

MAIN HOUSING KITS (INCLUDES BUSHINGS AND PINS)

CHAR 4	CHAR 7	CHAR 5	CHAR3	CHAR9	ITEM	COMPONENT	DESCRIPTION	QTY	CONTAINS ITEMS	
A-K, L, M, N, P	1,3,5, 6,7	A THRU G	G,H,N	0 THRU 4,A THRU C, G THRU J,N & T	1	71412	KIT, HOUSING, MAIN, RH, CHRG	1		
				5 THRU 9,D THRU F, K THRU M,P & R		71413	KIT, HOUSING,MAIN,RH,CHRG, CNTL	1		
			J	0 THRU 4,A THRU C, G THRU J,N & T		71414	KIT, HOUSING, MAIN, RH	1		
				5 THRU 9,D THRU F, K THRU M,P & R		71415	KIT, HOUSING, MAIN, RH, CNTL	1		
				K,L,P		0 THRU 4,A THRU C, G THRU J,N & T	71420	KIT, HOUSING, MAIN, LH, CHRG	1	
		5 THRU 9,D THRU F, K THRU M,P & R	71421			KIT, HOUSING,MAIN,LH,CHRG, CNTL	1			
		M	0 THRU 4,A THRU C, G THRU J,N & T	71424		KIT, HOUSING, MAIN, LH	1			
			5 THRU 9,D THRU F, K THRU M,P & R	71425		KIT, HOUSING, MAIN, LH, CNTL	1			
			A THRU G	G		0 THRU 4,A THRU C, G THRU J,N & T	72189	KIT,HOUSING MAIN,RH,CHARGED	1	
				K		0 THRU 4,A THRU C, G THRU J,N & T	72188	KIT,HOUSING MAIN,LH,CHARGED	1	
	J			0 THRU 4,A THRU C, G THRU J,N & T		71821	KIT,HOUSING MAIN,RH,DISC	1		
	M	0 THRU 4,A THRU C, G THRU J,N & T	71822	KIT,HOUSING MAIN,LH,DISC		1				
	1,3,5, 6,7	K THRU T	G,H,N	0 THRU 4,A THRU C, G THRU J,N & T		71418	KIT, HOUSING, MAIN, RH, CHRG	1	5,167	
				5 THRU 9,D THRU F, K THRU M,P & R		71419	KIT, HOUSING,MAIN,RH,CHRG, CNTL	1	5,167	
			J	0 THRU 4,A THRU C, G THRU J,N & T		71416	KIT, HOUSING, MAIN, RH	1	5,167	
				5 THRU 9,D THRU F, K THRU M,P & R		71417	KIT, HOUSING, MAIN, RH, CNTL	1	5,167	
				K,L,P		0 THRU 4,A THRU C, G THRU J,N & T	71422	KIT, HOUSING, MAIN, LH, CHRG	1	5,167
		5 THRU 9,D THRU F, K THRU M,P & R	71423			KIT, HOUSING,MAIN,LH,CHRG, CNTL	1	5,167		
		M	0 THRU 4,A THRU C, G THRU J,N & T	71426		KIT,HOUSING, MAIN, LH	1	5,167		
			5 THRU 9,D THRU F, K THRU M,P & R	71427		KIT, HOUSING, MAIN, LH, CNTL	1	5,167		
A THRU G			K	0 THRU 4,A THRU C, G THRU J,N & T	72374	KIT, HOUSING, MAIN, LH, CHRG	1			
		G	0 THRU 4,A THRU C, G THRU J,N & T	72373	KIT, HOUSING, MAIN, RH, CHRG	1				
R	N/A	N/A	K	N/A	72362	KIT, HOUSING, MAIN, RH, CNTL	1			
			G	N/A	72363	KIT, HOUSING, MAIN, LH, CNTL	1			



ZT-2800, ZT-3100 & ZT-3200 SERVICE SCHEMATIC

SIDE COVER KITS (INCLUDES BUSHINGS)

CHAR 5	CHAR3	CHAR 7	CHAR9	ITEM	COMPONENT	DESCRIPTION	QTY	
A THRU G	G, H, J, N	3, 5, 6, 7	0-4, A-C, G-J, N & T	2	71571	KIT, COVER, SIDE, RH, CNTL	1	
			5-9, D-F, K-M, P & R		71572	KIT, COVER, SIDE, RH	1	
		4	0-4, A-C, G-J, N & T		72226	KIT, COVER, SIDE, RH, CNTL	1	
		3, 5, 6, 7	0-4, A-C, G-J, N & T		71573	KIT, COVER, SIDE, LH, CNTL	1	
	K, L, M, P	3, 5, 6, 7	5-9, D-F, K-M, P & R		71574	KIT, COVER, SIDE, LH	1	
			0-4, A-C, G-J, N & T		72227	KIT, COVER, SIDE, LH, CNTL	1	
		G	A		0-4, A-C, G-J, N & T	72375	KIT, COVER, SIDE, RH, CNTL	1
		K			72376	KIT, COVER, SIDE, LH, CNTL	1	
K THRU T	G, H, J, N	3, 5, 6, 7	0-4, A-C, G-J, N & T	71575	KIT, COVER, SIDE, RH, CNTL	1		
			5-9, D-F, K-M, P & R	71576	KIT, COVER, SIDE, RH	1		
	K, L, M, P	3, 5, 6, 7	0-4, A-C, G-J, N & T	71577	KIT, COVER, SIDE, LH, CNTL	1		
			5-9, D-F, K-M, P & R	71578	KIT, COVER, SIDE, LH	1		

SIDE COVER AND GEAR

CHAR 7	CHAR 2	CHAR 3	ITEM #	COMPONENT	DESCRIPTION	QTY
1, 2	H, K	G, H, J, N	2, 82	71541*	KIT, COVER, SIDE, RH PM	1
		K, L, M, P		71543*	KIT, SIDE COVER LH, PM GEAR	1
	J, L, M	G, H, J, N		71542*	KIT, SIDE COVER RH, CUT STEEL GEAR	1
		K, L, M, P		71544*	KIT, COVER, SIDE LH STEEL	1

FILTER GUARD

CHAR3	ITEM	COMPONENT	DESCRIPTION	QTY
G, H, J, N	106	53655	GUARD, FILTER, RH	1
K, L, M, P		53644	GUARD, FILTER, LH	1

BRACKET

CHAR 14	ITEM	COMPONENT	DESCRIPTION	QTY
1	155	53046	BRACKET, DAMPER	1
2	169	52041	STUD, 1/4-20 X 1.25 SELF TAPPING	2

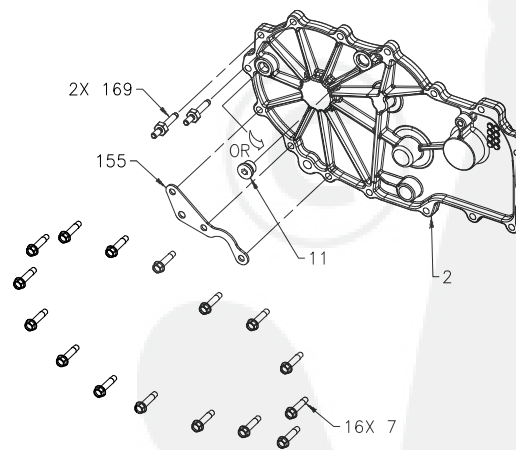
COMMON PARTS

ITEM	COMPONENT	DESCRIPTION	QTY
7	53246	HFHCS 1/4-20 X 1.125*	16
11	9005110-5600	PLUG 9/16-18 (METAL)	1
13	50928	SEALANT	1
14		OIL, 20W50	70.30Z
23	52114	FILTER, OIL	1
105	50752	HFHCS 1/4-20 X .75	3
200	71410	KIT, SEAL	1

PLUGS

CHAR5	ITEM	COMPONENT	DESCRIPTION	QTY
K THRU T	5	9005110-5600	PLUG 9/16-18 (METAL)	2
	167	9005110-4400	PLUG, 7/16-20 STR THREAD SOCKET HEAD	1

NOTE: * GEAR NOT SHOWN



ZT-2800, ZT-3100 & ZT-3200 SERVICE SCHEMATIC

MODEL NUMBER: Z - * * * - * * - *
 CHARACTER #: 1 2 - 3 4 5 6 - 7 8 9 10 - 11 12 13 14

NOTES: CUSTOMER MAY CHOOSE PARTS LISTED OR REPLACEMENT UNIT

DUE TO PART OBSOLETION, THE FOLLOWING MODELS REQUIRE UNIT REPLACEMENT WHEN ITEMS # 64, 100, 101, 104, 201, 208 REQUIRE SERVICE:

OLD MODEL NO.	NEW MODEL NO.
SUPERSEDED TO	
ZH-GCEE-1B8B-1BXX	ZH-GCEE-3B8B-1BXX
ZH-KCEE-1B8C-1BXX	ZH-KCEE-3B8C-1BXX
ZH-JCEE-1B8B-1BXX	ZH-JCEE-3B8B-1BXX
ZH-MCEE-1B8C-1BXX	ZH-MCEE-3B8C-1BXX
ZJ-GMEE-1ELB-1FLX	71728
ZJ-KMEE-1ELC-1FLX	71729
ZJ-GCEF-1KKB-1EXX	ZJ-GCEF-3KKB-1EXX
ZJ-KCEF-1KKC-1EXX	ZJ-KCEF-3KKC-1EXX
ZK-GHEE-1K5A-2LLX	ZK-GHEF-3K5A-2LLX
ZK-KHEE-1K5A-2LLX	ZK-KHEF-3K5A-2LLX
ZK-GHEE-1K5A-2LLX	ZK-GHEF-3K5A-2LLX
ZK-KHEE-1K5A-2LLX	ZK-KHEF-3K5A-2LLX
ZK-GHEE-1KKB-2LLX	ZK-GHEF-3KKB-2LLX
ZK-KHEE-1KKB-2LLX	ZK-KHEF-3KKB-2LLX
ZK-GHEF-1KKB-2LLX	ZK-GHEF-3KKB-2LLX
ZK-KHEF-1KKB-2LLX	ZK-KHEF-3KKB-2LLX
ZK-GHEF-1KKC-2LLX	ZK-GHEF-3KKC-2LLX
ZK-KHEF-1KKC-2LLX	ZK-KHEF-3KKC-2LLX
ZL-GCEE-1K5A-1LXX	ZL-GCEE-3K5A-1LXX
ZL-KCEE-1K5A-1LXX	ZL-KCEE-3K5A-1LXX
ZL-GCEE-1K5A-1EXX	ZL-GCEE-3K5A-1EXX
ZL-KCEE-1K5A-1EXX	ZL-KCEE-3K5A-1EXX
ZL-GMEE-1BEB-2FXX	ZL-GMEE-3BLB-2FXX
ZL-KMEE-1BEC-2FXX	ZL-KMEE-3BLC-2FXX
ZL-GMEE-1BLB-2FXX	ZL-GMEE-3BLB-2FXX
ZL-KMEE-1BLC-2FXX	ZL-KMEE-3BLC-2FXX
ZL-GPEE-2N5B-2LXX	ZL-GPEE-3N5B-2LXX
ZL-KPEE-2N5C-2LXX	ZL-KPEE-3N5C-2LXX
ZL-GHEF-1KKB-2LLX	ZL-GHEF-3KKB-3LLX
ZL-KHEF-1KKB-2LLX	ZL-KHEF-3KKB-3LLX
ZL-GHEF-1KKB-3LLX	ZL-GHEF-3KKB-3LLX
ZL-KHEF-1KKB-3LLX	ZL-KHEF-3KKB-3LLX
ZL-GHEF-1KKC-2LLX	ZL-GHEF-3KKC-3LLX
ZL-KHEF-1KKC-2LLX	ZL-KHEF-3KKC-3LLX
ZL-GHEF-1KKC-3LLX	ZL-GHEF-3KKC-3LLX
ZL-KHEF-1KKC-3LLX	ZL-KHEF-3KKC-3LLX
ZM-GCEE-1L8B-2TLX	ZM-GCEE-3L8B-2TLX
ZM-KCEE-1L8C-2TLX	ZM-KCEE-3L8C-3TLX

BRAKE CAM KIT

CHAR 7	CHAR 8	ITEM	COMPONENT	DESCRIPTION	QTY
1, 2	B, E	208	71408	KIT, BRAKE CAM	1
	K	208	71409	KIT, BRAKE CAM	1

BRAKE CAM

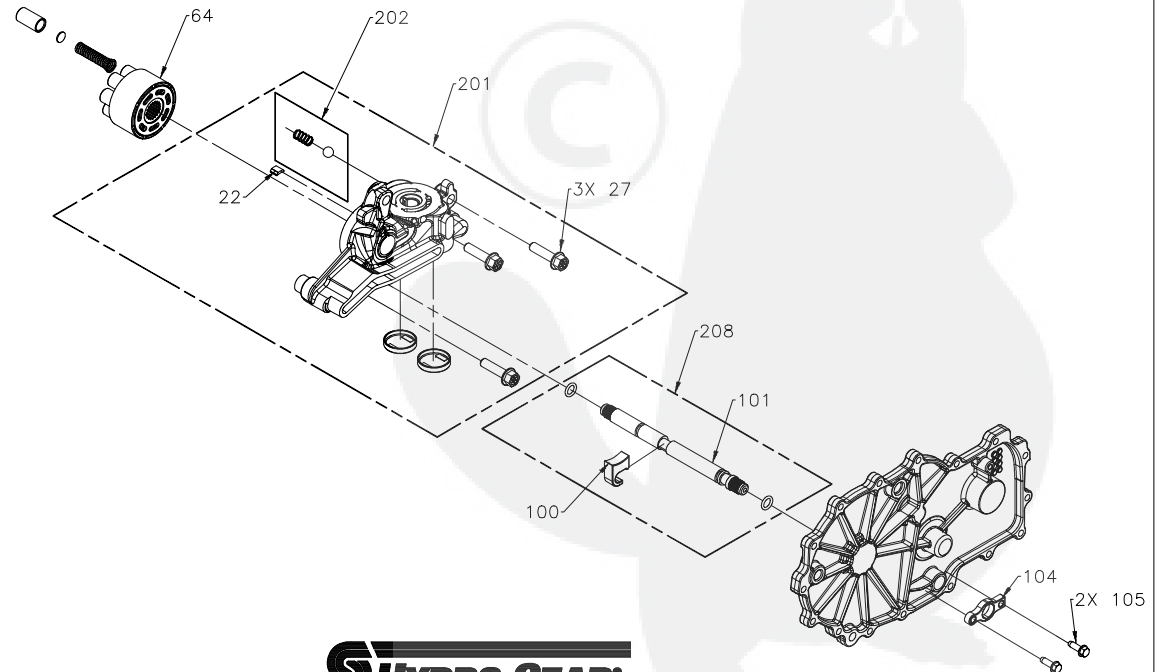
CHAR 7	CHAR 8	ITEM	COMPONENT	DESCRIPTION	QTY
1, 2	B, E	101	52244	CAM, BRAKE	1
	K	101	52245	CAM, BRAKE	1

CENTER SECTION KIT/BLOCK ASSEMBLY

CHAR 7	CHAR 3	CHAR 5	CHAR 6	ITEM	COMPONENT	DESCRIPTION	QTY
1, 2	G-M	A-R	A-R	64	72158	ASS'Y, CYLINDER BLOCK, 16cc	1
	G				71438	KIT, CENTER SECTION, RH, CHRG	1
	K	E	E	201	71440	KIT, CENTER SECTION, LH, CHRG	1
	G		F		71479	KIT, CENTER SECTION, RH, CHRG	1
	K				71480	KIT, CENTER SECTION, LH, CHRG	1
	G, K	A-R	A-R	202	71436	KIT, CHARGE RELIEF	1

PARTS

CHAR 7	ITEM	COMPONENT	DESCRIPTION	QTY
1, 2	22	51448	PLATE, BYPASS	1
	27	52137	HFHCS 3/8-16X1.5 (PATCH)	3
	100	52118	PUCK, BRAKE	1
	104	52115	RETAINER, CAM STOP	1
	105	50752	HFHCS 1/4-20X.75	2



ZT-2800, ZT-3100 & ZT-3200 SERVICE SCHEMATIC

MODEL NUMBER: Z - - * * -
 CHARACTER #: 1 2 - 3 4 5 6 - 7 8 9 10 - 11 12 13 14

BRAKE SHAFT

CHAR 7	CHAR 8	MODEL NUMBER	ITEM #	COMPONENT	DESCRIPTION	QTY
3	J, K, L, N, P, R	ZM-GCEE-3L8B-2TLX	101	52640	BRAKE SHAFT	1
		ZM-KCEE-3L8C-3TLX				
		ZM-GEEE-3LEF-2ALX				
		ZM-KEEE-3LEG-3ALX				
		ALL OTHERS				
			72046	KIT, BRAKE SHAFT	1	

FOR WHOLE UNIT REPLACEMENT, PLEASE USE THE FOLLOWING TABLE:

OLD MODEL NO.	NEW MODEL NO.
	SUPERSEDED TO
ZM-GCEE-3L8B-2TLX	72047
ZM-KCEE-3L8C-3TLX	72048
ZM-GEEE-3LEF-2ALX	72049
ZM-KEEE-3LEG-3ALX	72050

