

# EZT SERVICE DRAWING

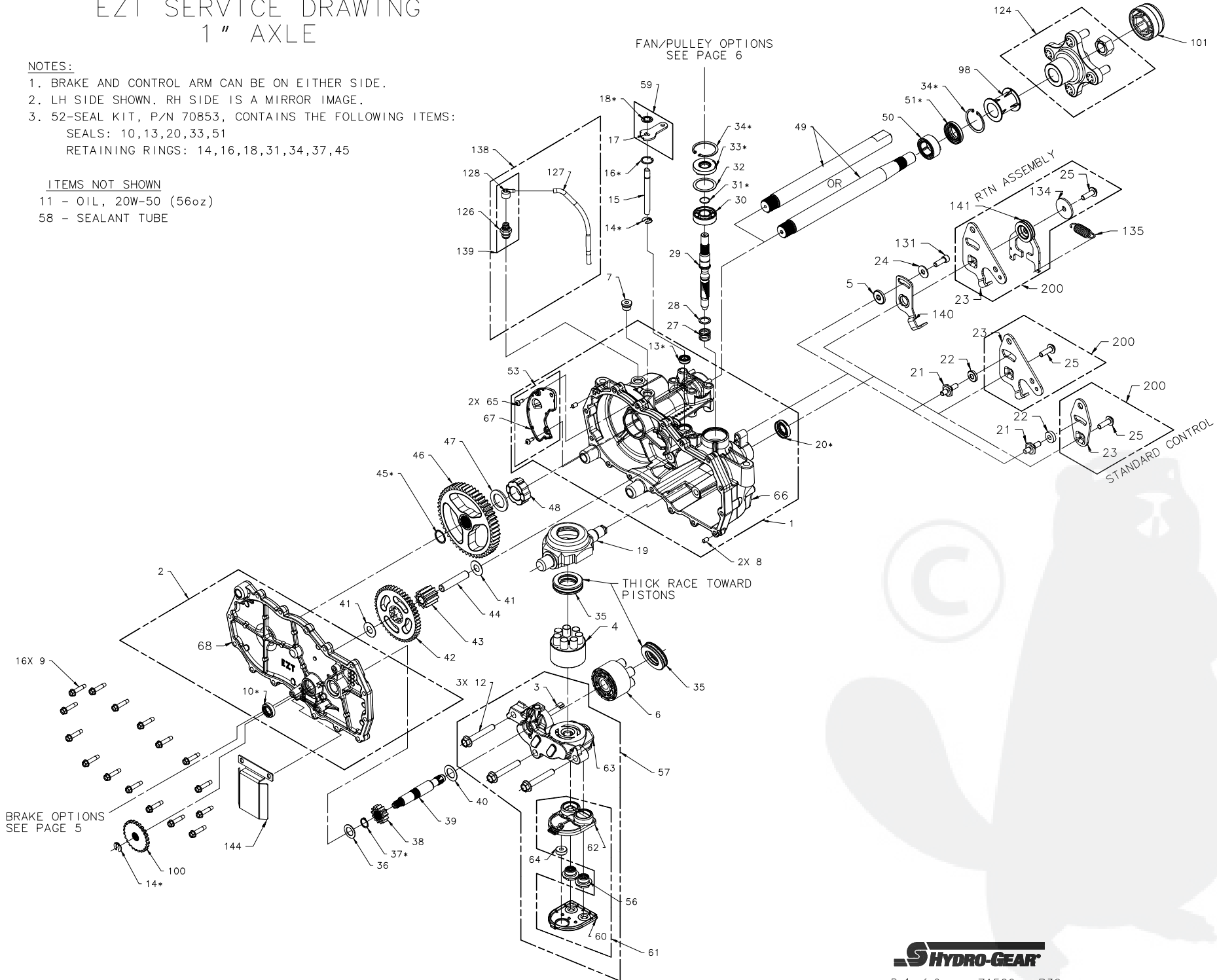
## 1" AXLE

**NOTES:**

1. BRAKE AND CONTROL ARM CAN BE ON EITHER SIDE.
2. LH SIDE SHOWN. RH SIDE IS A MIRROR IMAGE.
3. 52-SEAL KIT, P/N 70853, CONTAINS THE FOLLOWING ITEMS:  
SEALS: 10,13,20,33,51  
RETAINING RINGS: 14,16,18,31,34,37,45

**ITEMS NOT SHOWN**

- 11 - OIL, 20W-50 (56oz)
- 58 - SEALANT TUBE



# EZT SERVICE DRAWING

## 1" AXLE

MODEL NUMBER:  
CHARACTER #:

Z	*	-					-						-				
1	2	-	3	4	5	6	-	7	8	9	10		-	11	12	13	14

### COMMON PARTS (ALL MODELS)

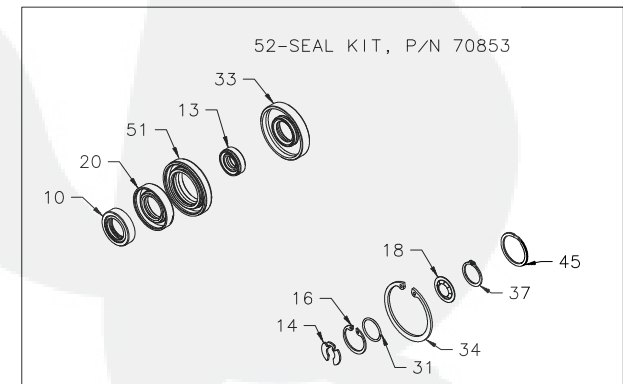
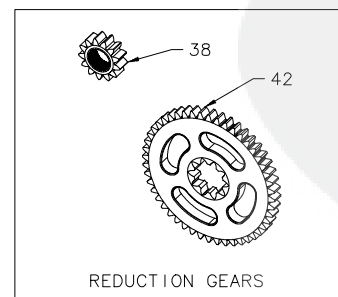
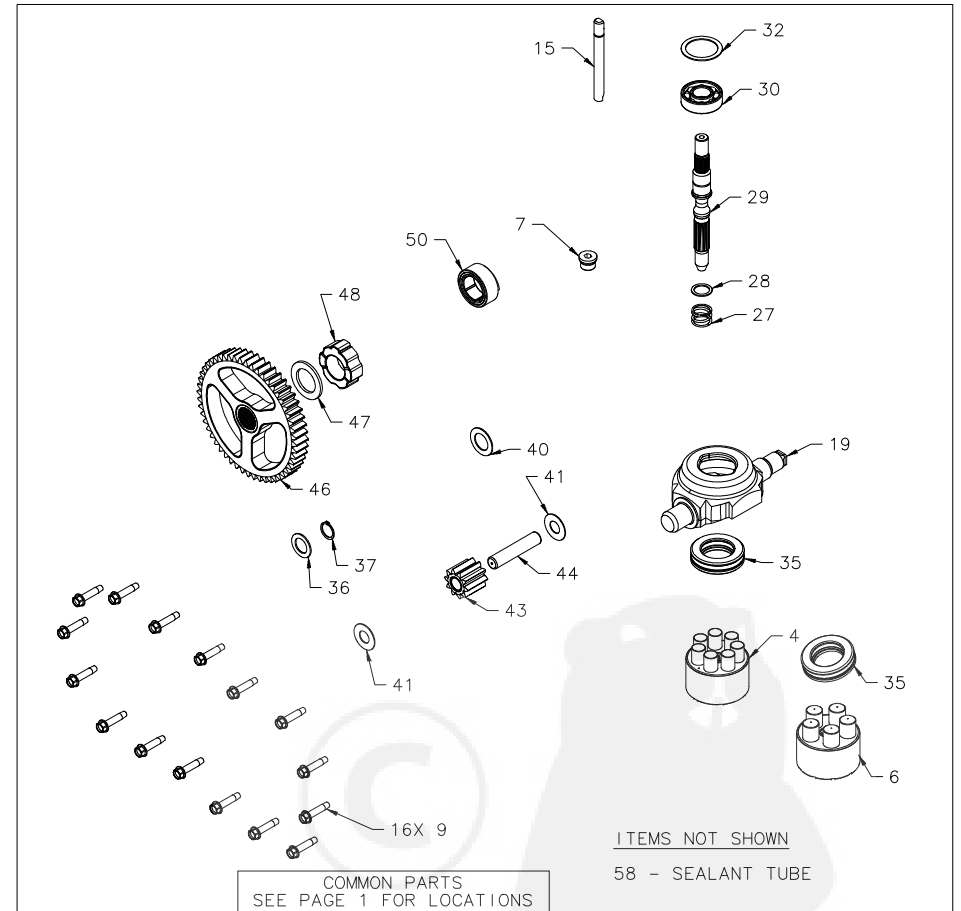
ITEM #	COMPONENT #	DESCRIPTION	QTY
4	70723	ASSEMBLY, PISTON BLOCK - 7P10CC	1
6	70331	ASSEMBLY, PISTON BLOCK - 5P10CC	1
7	9005110-5600	PLUG, 9/16-18 (METAL)	1
9	53246	HFHCS 1/4-20 X 1.125 (SELF TAPPING)	16
15	51625	ROD, BYPASS	1
19	51048	SWASHPLATE, TRUNNION, MACHINED	1
27	2003014	SPRING, HELICAL COMPRESSION	1
28	2003017	WASHER, .591 X .787 X .040	1
29	51062	SHAFT, INPUT	1
30	50315	BEARING, BALL 17MM ID X 40MM OD X 12MM	1
32	50951	SPACER	1
35	50551	BEARING, THRUST 30 X 52 X 13	2
36	44371	WASHER, 5/8 X 1.0 X .05	1
37	44145	RING, RETAINING	1
40	51069	WASHER, .71 X 1.16 X .04	1
41	50132	WASHER, HT .5 ID X 1.0 OD X .032	2
43	51043	GEAR, 10T JACKSHAFT	1
44	51083	PIN, JACKSHAFT	1
46	52541	GEAR, 52T BULL	1
47	52532	WASHER, 1.018 X 1.57 X .105	1
48	52542	SLEEVE BEARING (INBOARD)	1
50	51517	BEARING, SLEEVE, 1.00 X 1.57 X .62	1
52	70853	KIT, SEAL	1
58	50928	SEALANT TUBE	1

### ITEM #52, SEAL KIT, P/N 70853

ITEM#	DESCRIPTION	QTY
10	SEAL, LIP .625 X 1.000 X .250	1
13	SEAL, LIP .50 X .88 X .25	1
14	SEAL, LIP .375 X .75 X .25	1
16	RING, RETAINING .750 INT	1
18	RING, RETAINING .375 EXT (PUSHNUT)	1
20	SEAL, LIP 18 X 32 X 7	1
31	RING, RETAINING WIRE .561 ID	1
33	SEAL, LIP 17 X 40 X 7	1
34	RING, RETAINING	2
37	RING, RETAINING	1
45	RING, SPIRAL RETAINING	1
51	SEAL, LIP 1.00 X 1.57 X .25	1
	SEAL, LIP .375 x .75 x .25	1

### REDUCTION GEARS

CHAR 2	ITEM #	COMPONENT #	DESCRIPTION	QTY
C	38	51130	GEAR, PINION 13T	1
	42	51129	GEAR, 10T/48T	1
D	38	51767	GEAR, PINION 12T	1
	42	51766	GEAR, 10T/49T	1



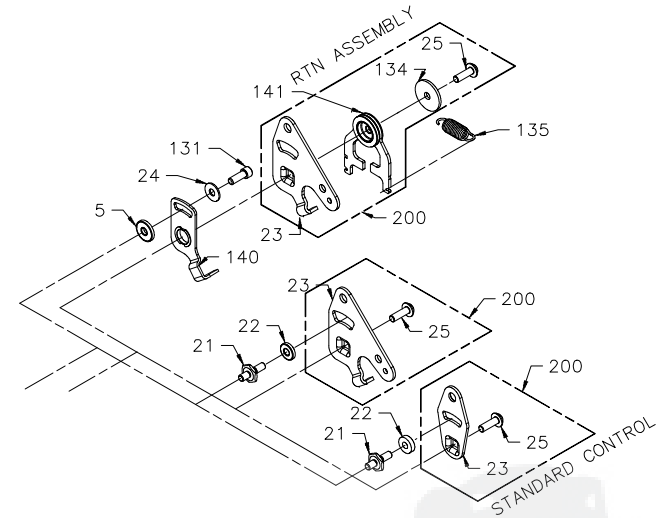
# EZT SERVICE DRAWING

## 1" AXLE

MODEL NUMBER:  
CHARACTER #:

Z		-	*					-	*	*	-					
1	2	-	3	4	5	6	-	7	8	9	10	-	11	12	13	14

CHAR 3	CHAR 9	CHAR 10	ITEM	COMPONENT	DESCRIPTION	QTY
A, B, D	0, 5, R, T	A	22	52298	WASHER, PLASTIC	1
			200	71633	KIT, CONTROL ARM	1
		B	22	51846	SPACER	1
			200	71634	KIT, CONTROL ARM	1
		C	22	51846	SPACER	1
			200	71635	KIT, CONTROL ARM	1
AND EACH INCLUDES THE FOLLOWING:						
	0, 5, R, T	A, B, C	21	50426	STUD, SHORT 5/16-24	1
D	7, D, K	C	200	71592	KIT, RTN, BIDIRECTIONAL	1
				71598	KIT, RTN, BIDIRECTIONAL	1
	2, A, G	B		71588	KIT, RTN, BIDIRECTIONAL	1
				71595	KIT, RTN, BIDIRECTIONAL	1
	9, F, M	C		71593	KIT, RTN, CCW	1
				71599	KIT, RTN, CCW	1
	4, C, J	B		71590	KIT, RTN, CW	1
				71597	KIT, RTN, CW	1
	8, E, L	C		71594	KIT, RTN, CW	1
				71600	KIT, RTN, CW	1
	3, B, H	B		71589	KIT, RTN, CCW	1
				71596	KIT, RTN, CCW	1
A, B	7, D, K	B	200	71588	KIT, RTN, BIDIRECTIONAL	1
				71595	KIT, RTN, BIDIRECTIONAL	1
	2, A, G	C		71592	KIT, RTN, BIDIRECTIONAL	1
				71598	KIT, RTN, BIDIRECTIONAL	1
	9, F, M	B		71590	KIT, RTN, CW	1
				71597	KIT, RTN, CW	1
	4, C, J	C		71593	KIT, RTN, CCW	1
				71599	KIT, RTN, CCW	1
	8, E, L	B		71589	KIT, RTN, CCW	1
				71596	KIT, RTN, CCW	1
	3, B, H	F		71594	KIT, RTN, CW	1
				71600	KIT, RTN, CW	1



CHAR 9	CHAR 10	ITEM #	COMPONENT #	DESCRIPTION	QTY
2-9 G-M A-D	B	140	51945	ARM, NEUTRAL RIGHT	1
	C	140	51946	ARM, NEUTRAL LEFT	1
	F	140	51945	ARM, NEUTRAL RIGHT	1
	G	140	51946	ARM, NEUTRAL LEFT	1
AND EACH INCLUDES THE FOLLOWING:					
2-9 G-M A-D	B, C, F, G	5	52527	SPACER, .320 X 1.005 X .179	1
		24	44130	WASHER, .34 X .88 X .06	1
		131	51616	SHCS 5/16-24X1 PATCH	1

### SPRING

CHAR 9	ITEM #	COMPONENT #	DESCRIPTION	QTY
2, 3, 4, 7, 8, 9	135	52401	SPRING, EXTENSION CLEAR ZINC	1
G-M	135	51605	SPRING, EXTENSION YELLOW ZINC	1
A-D	135	51833	SPRING, EXTENSION	1

# EZT SERVICE DRAWING

## 1" AXLE

MODEL NUMBER:  
CHARACTER #:

Z		-	*	*	*	*	-					-				
1	2	-	3	4	5	6	-	7	8	9	10	-	11	12	13	14

### CENTER SECTION & FILTER KITS

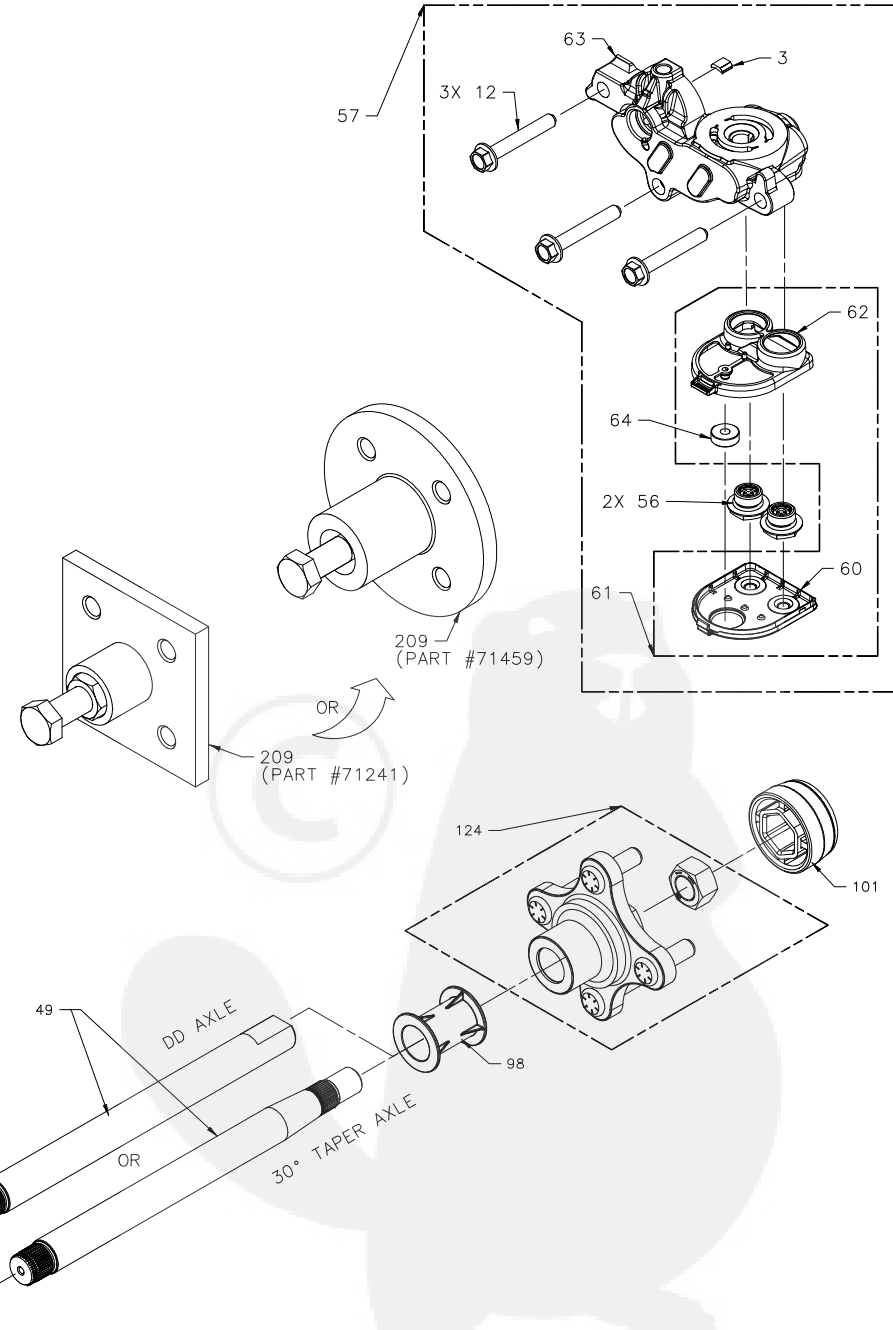
CHARACTER 3	CHARACTER 5,6	ITEM #	COMPONENT #	DESCRIPTION	QTY
A, B	B	57	71530	KIT, CENTER SECTION, W/ FILTER-RH	1
		(63)		CENTER SECTION, RH, 7P	1
		(3)		PLATE, BYPASS	1
		(12)		BOLT, HEX FLANGE 3/8-24 X 2.5	3
		(60)		ASSEMBLY, COVER	1
		(62)		FILTER, BASE	1
		(64)		MAGNET	1
		(56)		CHECK PLUG ASSEMBLY, .027, WASHER	2
		61	71497	KIT, FILTER	1
		(60)		ASSEMBLY, COVER	1
D	B	(62)		FILTER, BASE	1
		(64)		MAGNET	1
		57	71529	KIT, CENTER SECTION, W/ FILTER-LH	1
		(63)		CENTER SECTION, LH, 7P	1
		(3)		PLATE, BYPASS	1
		(12)		BOLT, HEX FLANGE 3/8-24 X 2.5	3
		(60)		ASSEMBLY, COVER	1
		(62)		FILTER, BASE	1
		(64)		MAGNET	1
		(56)		CHECK PLUG ASSEMBLY, .027, WASHER	2
61	71497	KIT, FILTER	1		
(60)		ASSEMBLY, COVER	1		
(62)		FILTER, BASE	1		
(64)		MAGNET	1		

### AXLE COMPONENTS

CHARACTER 4	ITEM #	COMPONENT #	DESCRIPTION	QTY
A	49	72181	KIT, AXLE SHORT	1
	49	72181	KIT, AXLE SHORT	1
C	98	53730	TUBE, AXLE	1
	101	53088	CAP, AXLE	1
	124	72181	KIT, AXLE SHORT	1
F	49	72182	KIT, AXLE LONG	1
	49	72182	KIT, AXLE LONG	1
H	98	53731	TUBE, AXLE	1
	101	53088	CAP, AXLE	1
	124	72182	KIT, AXLE LONG	1
M	49	52545	SHAFT, AXLE	1
	49	53705	SHAFT, AXLE	1
P	98	53730	TUBE, AXLE	1
	101	53501	CAP, AXLE	1
	124	71446	KIT, HUB 1/2-20	1
	49	53705	SHAFT, AXLE	1
T	49	53706	SHAFT, AXLE	1
	49	53706	SHAFT, AXLE	1
U	98	53731	TUBE, AXLE	1
	101	53088	CAP, AXLE	1
	124	71405	KIT, HUB 1/2-20	1

### HUB PULLER (INCLUDES BOLT)

CHARACTER 4	ITEM #	COMPONENT #	DESCRIPTION	QTY
A, C, P	209	71459	HUB PULLER (4 BOLT)	1
U, H, F		71241	HUB PULLER (4 BOLT)	1



# EZT SERVICE DRAWING

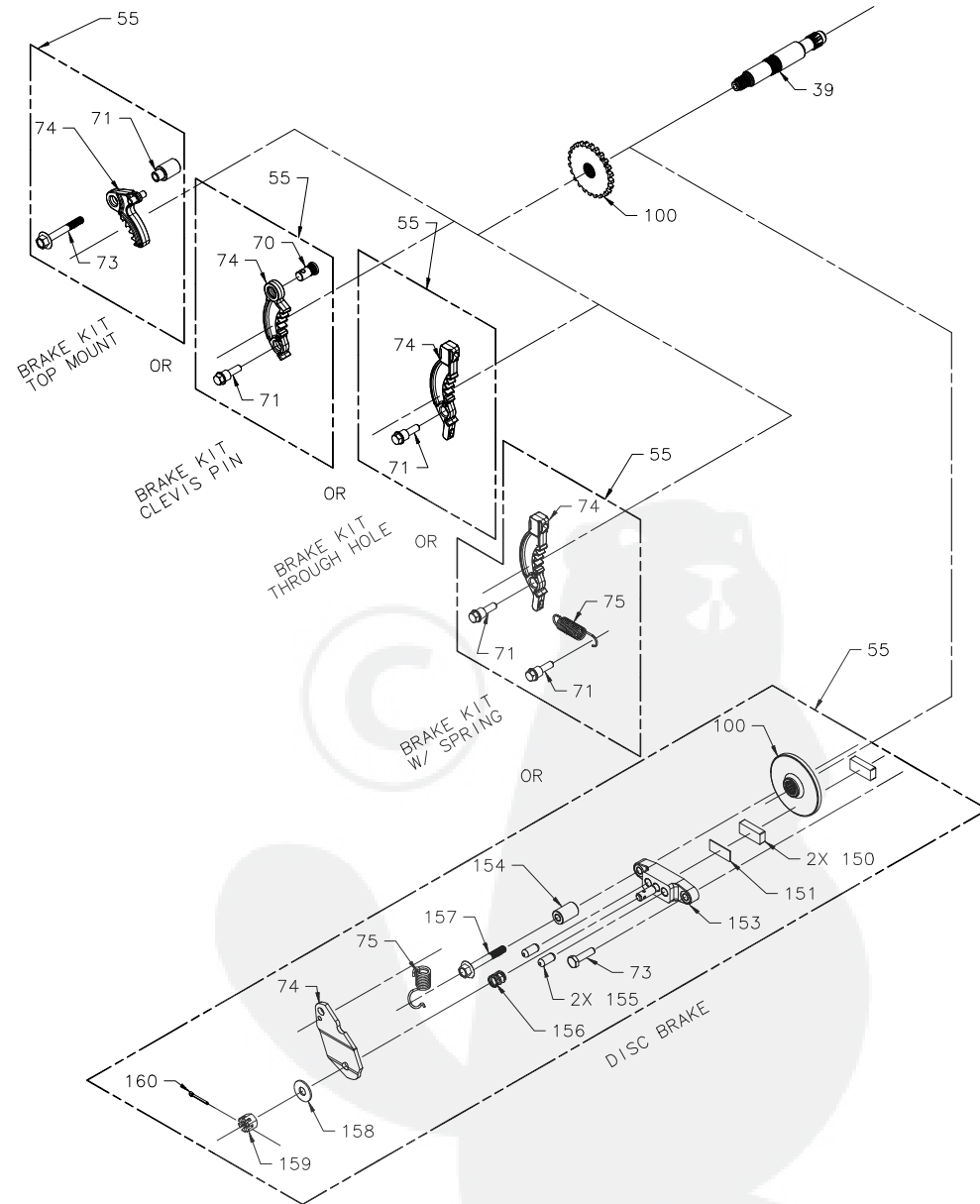
## 1" AXLE

MODEL NUMBER:  
CHARACTER #:

Z		-	*				-	*	*			-				
1	2	-	3	4	5	6	-	7	8	9	10	-	11	12	13	14

### COG BRAKE KITS

CHAR 3	CHAR 7	CHAR 8	ITEM #	COMPONENT#	DESCRIPTION	QTY	
A, B	2	A,C,K,M	55	71069	KIT, BRAKE ARMW/CLEVIS PIN, LH	1	
			(74)		ARM, BRAKE	1	
			(70)		PIN, CLEVIS	1	
			(71)		BOLT, 1/4-20X1 SHOULDER W/PATCH	1	
D		B,D,J,L	A,C,K,M	55	71070	KIT, BRAKE ARMW/CLEVIS PIN, RH	1
				(74)		ARM, BRAKE	1
				(70)		PIN, CLEVIS	1
				(71)		BOLT, 1/4-20X1 SHOULDER W/PATCH	1
A, B, D	3	A,C,K,M B,D,J,L	55	71069	KIT, BRAKE ARMW/CLEVIS PIN, LH	1	
			(74)		ARM, BRAKE	1	
			(70)		PIN, CLEVIS	1	
			(71)		BOLT, 1/4-20X1 SHOULDER W/PATCH	1	
A, B, D		4	A,C,K,M B,D,J,L	55	71070	KIT, BRAKE ARMW/CLEVIS PIN, RH	1
				(74)		ARM, BRAKE	1
				(70)		PIN, CLEVIS	1
				(71)		BOLT, 1/4-20X1 SHOULDER W/PATCH	1
A, B, D	5		A,C,K,M B,D,J,L	55	70865	KIT, BRAKE ARM, THROUGH HOLE	1
				(74)		ARM, BRAKE	1
				(71)		BOLT, 1/4-20X1 SHOULDER W/PATCH	1
				55	71356	KIT, BRAKE ARM W/ SPRING	1
A, B, D		5	A,C,K,M B,D,J,L	(74)		ARM, BRAKE	1
				(75)		SPRING, EXTENSION	1
				(71)		BOLT, 1/4-20X1 SHOULDER W/PATCH	2
				55	71560	KIT, BRAKE ARM, TOP MOUNT	1
A, B, D	5		A,C,K,M B,D,J,L	(71)		SPACER	1
				(74)		ARM, BRAKE	1
				(73)		HFHCS 1/4-20 X 2.0 (PATCH)	1



### COG/MOTOR SHAFTS

CHAR 7	CHAR 8	ITEM #	COMPONENT#	DESCRIPTION	QTY
2,3,4	A-D	39	51632	SHAFT, MOTOR	1
		100	51635	DISC, COG BRAKE	1
	J-M	39	51845	SHAFT, MOTOR	1
		100	51635	DISC, COG BRAKE	1
X,B	J,Z	39	52580	SHAFT, MOTOR	1
	A	39	52579	SHAFT, MOTOR	1
5	W	39	51845	SHAFT, MOTOR	1
		100	51635	DISC, COG BRAKE	1

### DISC BRAKE

CHAR 7	ITEM #	COMPONENT#	DESCRIPTION	QTY
B	55	71646	KIT, BRAKE	1
C	55	71892	KIT, BRAKE	1
D	55	71893	KIT, BRAKE	1
E	55	72082	KIT, BRAKE	1

KITS INCLUDE ITEMS: 73, 74, 75, 100, 150, 151, 153, 154, 155, 156, 157, 158, 159, 160

# EZT SERVICE DRAWING

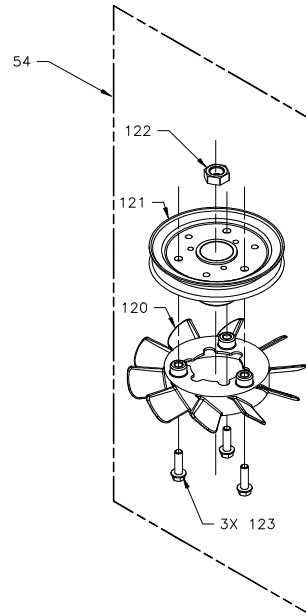
## 1" AXLE

MODEL NUMBER:  
CHARACTER #:

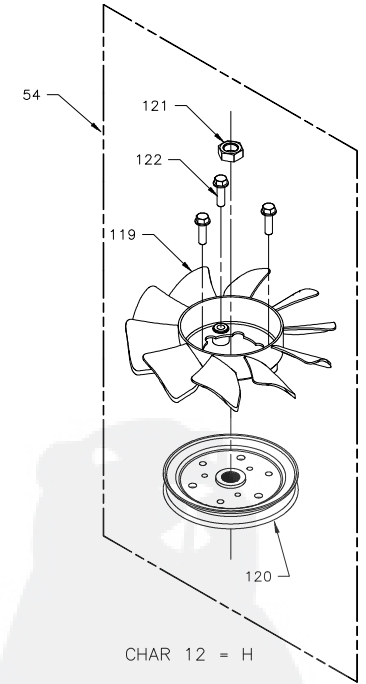
Z		-									*					
1	2	-	3	4	5	6	-	7	8	9	10	-	11	12	13	14

### FAN & PULLEY KIT

CHAR 12	ITEM#	COMPONENT #	DESCRIPTION	QTY
	54	70770	KIT, FAN-PULLEY	1
G PULLEY OVER FAN	120	51579	FAN, 6", 10 BLADE	1
	121	51585	PULLEY 4"	1
	122	44133	NUT, HEX JAM 1/2-20 W/PATCH	1
	123	51076	HEX, WASHER HD TAPPING SCREW 1/4-20 X .875	3
H PULLEY OVER FAN	54	71826	KIT, FAN-PULLEY	1
	119	52576	FAN, 7", 10 BLADE	1
	120	51182	PULLEY Ø4.5	1
	121	44133	NUT, HEX JAM 1/2-20 W/PATCH	1
C FAN OVER PULLEY	122	51076	HEX WASHER HD TAPPING SCREW 1/4-20 X .875	3
	54	72128	KIT, FAN-PULLEY	1
F FAN OVER PULLEY	54	72124	KIT, FAN-PULLEY	1
E FAN OVER PULLEY	54	72125	KIT, FAN-PULLEY	1
K,L,R PULLEY OVER FAN	54	72134	KIT, FAN-PULLEY	1
D PULLEY OVER FAN	54	72137	KIT, FAN-PULLEY	1



CHAR 12 = G



CHAR 12 = H

OR

# EZT SERVICE DRAWING

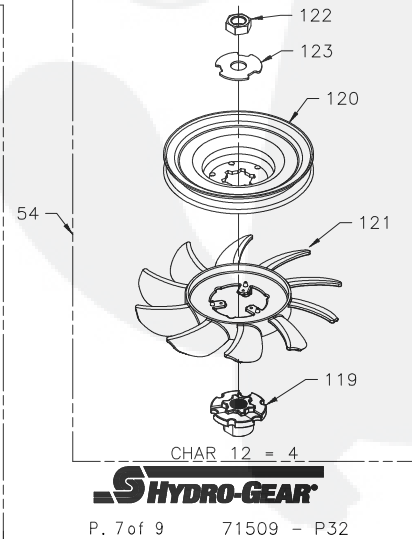
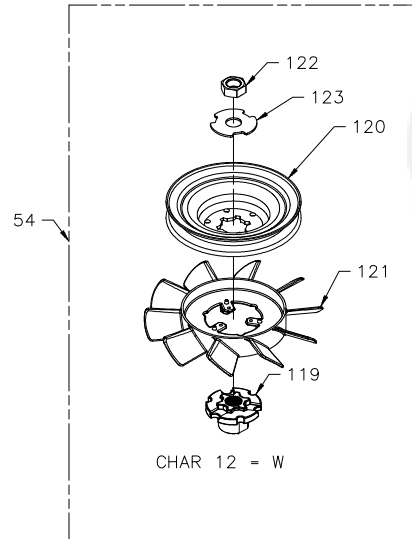
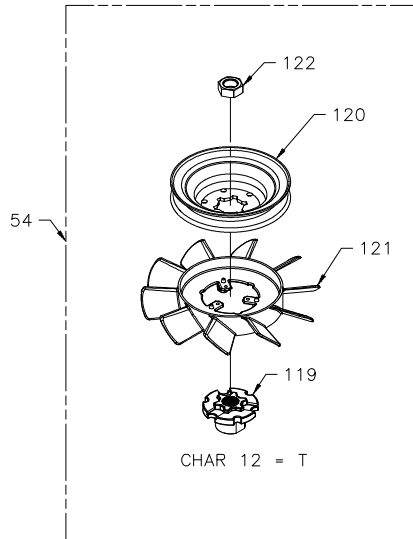
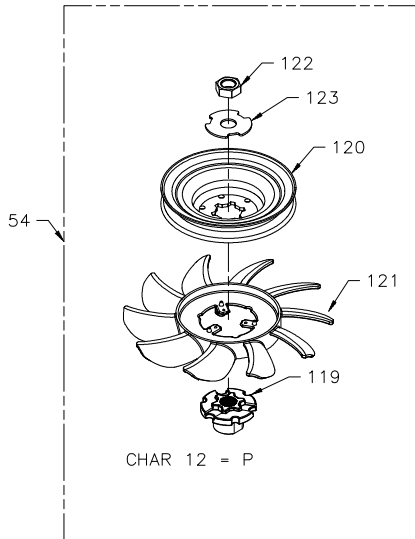
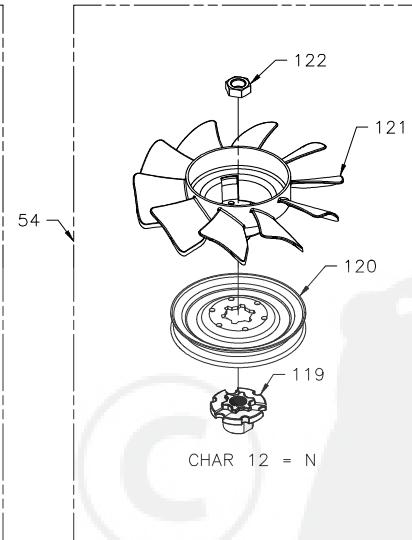
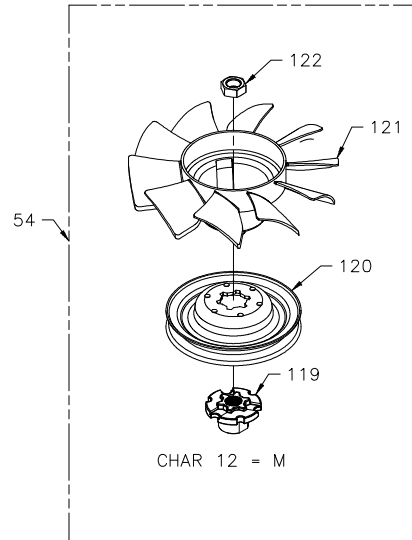
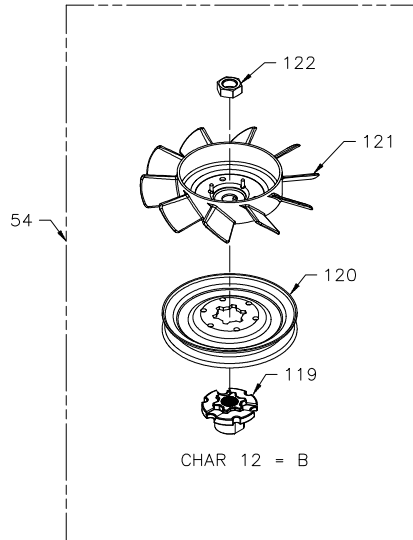
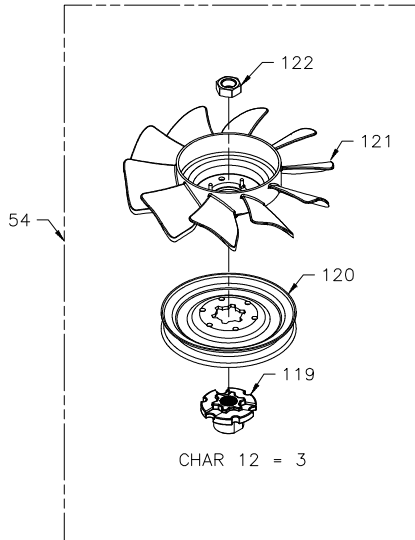
## 1" AXLE

MODEL NUMBER:  
CHARACTER #:

Z		-					-					-	*			
1	2	-	3	4	5	6	-	7	8	9	10	-	11	12	13	14

### FAN & PULLEY KIT

CHAR 12	ITEM#	COMPONENT #	DESCRIPTION	QTY	CONTAINS ITEMS
3	54	72126	KIT, FAN-PULLEY	1	(119),(120),(121),(122)
B	54	72128	KIT, FAN-PULLEY	1	(119),(120),(121),(122)
M	54	72124	KIT, FAN-PULLEY	1	(119),(120),(121),(122)
N	54	72125	KIT, FAN-PULLEY	1	(119),(120),(121),(122)
P	54	72134	KIT, FAN-PULLEY	1	(119),(120),(121),(122),(123)
T	54	72136	KIT, FAN-PULLEY	1	(119),(120),(121),(122)
W	54	72137	KIT, FAN-PULLEY	1	(119),(120),(121),(122),(123)
4	54	72135	KIT, FAN-PULLEY	1	(119),(120),(121),(122),(123)





# EZT SERVICE DRAWING

## 1" AXLE

MODEL NUMBER:  
CHARACTER #:

Z		-	*				-	*	*		-	*		*	*	
1	2	-	3	4	5	6	-	7	8	9	10	-	11	12	13	14

### MAIN HOUSING KITS

CHAR 7	CHAR 3	CHAR 9	CHAR 8	ITEM#	COMPONENT#	DESCRIPTION	QTY	ITEMS INCLUDED
B, 2, 5	A, B	0-4, A-C, G-J	J-M	1	71585	RH W/BRAKE	1	8,65,66,67
			A-D		71030R	RH	1	8,65,66,67
			A-D		70862R	RH W/CNTL	1	8,65,66,67
	D	5-9, D-F, K-M	J-M, W, Y, Z		71098	RH W/CNTL AND BRAKE	1	8,65,66,67
			A-D		71030L	LH	1	8,65,66,67
			A-D		70862L	LH W/CNTL	1	8,65,66,67
3, 4	A, B	0-4, A-C, G-J	J-M, W, Y, Z	71097	LH W/CNTL AND BRAKE	1	8,65,66,67	
			A OR D	71030R	RH	1	8,65,66,67	
			J OR M	71585	RH W/BRAKE	1	8,65,66,67	
			L	70974R	RH W/CNTL AND BRAKE, MOD BOSS	1	8,65,66,67	
			A OR D	70862R	RH W/CNTL	1	8,65,66,67	
			J, M, Y, Z	71098	RH W/CNTL AND BRAKE	1	8,65,66,67	
	D	5-9, D-F, K-M	A OR D	71030L	LH	1	8,65,66,67	
			A OR D	70862L	LH W/CNTL	1	8,65,66,67	
			J, M, Y, Z	71097	LH W/CNTL AND BRAKE	1	8,65,66,67	
			L	70974L	LH W/CNTL AND BRAKE, MOD BOSS	1	8,65,66,67	
			A OR D					
			J, M, Y, Z					

### SIDE HOUSING KITS

CHAR 3	CHAR 9	CHAR 8	ITEM#	COMPONENT#	DESCRIPTION	QTY	ITEMS INCLUDED	
A, B	0-4, A-C, G-J	A-D	2	71031R	COVER, SIDE, RH W/CTRL, BRAKE	1	68	
		J-M		71586	COVER, SIDE, RH W/CNTL	1	68	
		A-D		70863R	COVER, SIDE, RH W/BRAKE	1	68	
	D	5-9, D-F, K-M		J-M, W, Y, Z	70983R	COVER, SIDE, RH	1	68
				A-D	71031L	COVER, SIDE, LH W/CTRL, BRAKE	1	68
				A-D	70863L	COVER, SIDE, LH W/BRAKE	1	68
J-M, W, Y, Z	70983L	COVER, SIDE, LH	1	68				

### EXPANSION TANK

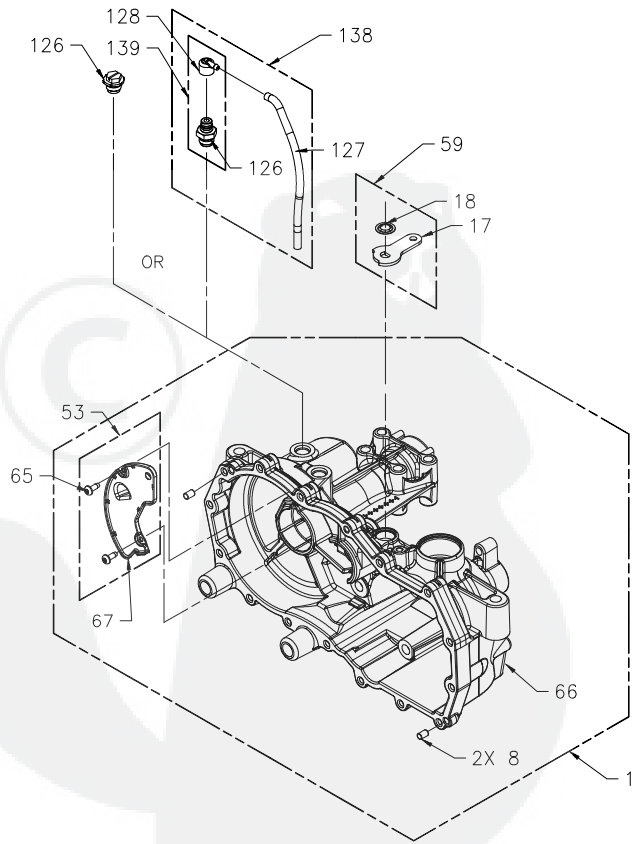
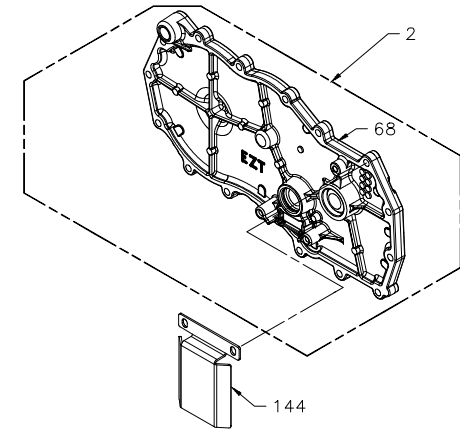
CHAR 14	CHAR 3	ITEM#	COMPONENT#	DESCRIPTION	QTY	ITEMS INCLUDED
X, A	A	53	70868R	PLATE EXPANSION, RH	1	65,67
	D	53	70868L	PLATE EXPANSION, LH	1	65,67
AND						
A	-----	144	52112	DEFLECTOR, BELT	1	144
B	-----	N/A	NONE	N/A	N/A	N/A

### BYPASS: CONTAINS ITEMS 17 & 18

CHARACTER 11	ITEM #	COMPONENT#	DESCRIPTION	QTY
1	59	70891	KIT, BYPASS ARM W/ THRU HOLE	1
2	59	71006	KIT, BYPASS ARM W/ STUD	1
3	59	71357	KIT, BYPASS ARM W/ STUD	1
4	59	72084	KIT, BYPASS	1

### BREATHER

CHAR 13	ITEM#	COMPONENT#	DESCRIPTION	QTY
X	126	9005200-5600	PLUG 9/16-18 (PLASTIC)	1
L	126	71393	FITTING ASSEMBLY	1
	138	71510	KIT, BREATHER ASSEMBLY	1
P	(126)		ASSEMBLY, FITTING 9/16	1
	(127)		HOSE, EXP TANK	1
	(128)		CAP, BARBED VENT	1
	139	71524	KIT, BREATHER ASSEMBLY	1
	(128)		CAP, BARBED VENT	1
	(126)		ASSEMBLY, FITTING 9/16	1





# EZT SERVICE DRAWING

## 1 " AXLE

REFERENCE NO.	SUPERSEDED MODEL	CURRENT MODEL NO.		
112-4760	ZA-AMBB-3D5A-1CXX (105-3492)	ZC-AHBB-3D5A-2CPX		
	ZA-AMBB-3D5A-2CXX (108-2394)			
	ZA-AHBB-3D5A-2CXX (110-6510)			
112-4761	ZA-DMBB-3D5A-1DXX (105-3491)	ZC-DHBB-3D5A-3DPX		
	ZA-DMBB-3D5A-2DXX (108-2393)			
	ZA-DHBB-3D5A-3DXX (110-6511)			
1727806	ZA-AHBB-2A7B-1DGX	ZC-AHBB-2A7B-1DPX		
1727807	ZA-DHBB-2A7C-1DFX	ZC-DHBB-2A7C-1DPX		
D-3753-01	ZB-AKBB-2L5B-1DMX ZB-AKBB-2L5B-1DAX ZC-AHBB-2L5B-1DPX	72077		
D-3753-02	ZB-DKBB-2L5C-1DMX ZB-DKBB-2L5C-1DAX	ZC-DHBB-2L5C-1DPX		
D-3783-01	ZB-AKBB-2L5B-1LMX ZB-AKBB2L5B-1LAX ZC-AHBB-2L5B-1LPX	72076		
D-3783-02	ZB-DKBB-2L5C-1LMX ZB-DKBB-2L5C-1LAX	ZC-DHBB-2L5C-1LPX		
618-04432	ZA-AFBB-3D7B-2DBX (618-04163)	71649		
	ZA-AFBB-3D7B-2DHX (618-04163A)			
	ZA-AFBB-3D7B-2DEB (618-04327)			
	ZA-AFBB-4D7B-3LJX			
	ZA-AFBB-4D7B-3RJX			
	ZA-DFBB-3D7C-2DBX (618-04164)			
618-04431	ZA-DFBB-3D7C-2DHX (618-04164A)	71650		
	ZA-DFBB-3D7C-2DEB (618-04326)			
	ZA-DFBB-4D7C-2LJX			
	ZA-DFBB-4D7C-2RJX			
	AM135623		ZB-AKBB-XZLB-1DNX	ZC-AHBB-XZLB-1DPX
	AM135624		ZB-DKBB-XZLC-1DNX	ZC-DHBB-XZLC-1DPX
110421	ZA-AHBB-3D5A-2DCX	ZC-AHBB-3D5A-2DPX		
	ZA-AHBB-3D5A-2DXX			
110422	ZB-AKBB-3D5A-2DCX	ZC-DHBB-3D5A-2DPX		
	ZA-DHBB-3D5A-2DBX			
792895	ZA-DHBB-3D5A-2DXX	72078		
	ZB-DKBB-3D5A-2DCX			
	ZA-ACBB-3M5A-1EDX			
792911	ZA-ACBB-3M5A-1EDA	ZC-DCBB-3M5A-1EPA		
	ZC-ACBB-3M5A-1EPA			
16101	ZA-DCBB-3M5A-1EBX	ZC-DCBB-3M5A-1EPA		
16102	ZA-DCBB-3M5A-1EBA	ZC-DCBB-3M5A-1EPA		
16334	ZA-DCBB-3D0A-1DBX	ZC-DCBB-3D0A-1DPX		
	ZA-ACBB-3D0A-1DBX	ZC-ACBB-3D0A-1DPX		
16335	ZA-DHBB-2L7C-1EBX	ZC-DHBB-2K7C-1EPX		
	ZA-DHBB-2K7C-1EBX	ZC-DHBB-2K7C-1EPX		
16335	ZA-AHBB-2L7B-1EBX	ZC-AHBB-2K7B-1EPX		
	ZA-AHBB-2K7B-1EBX	ZC-AHBB-2K7B-1EPX		

REFERENCE NO.	SUPERSEDED MODEL	CURRENT MODEL NO.
16400	ZA-DCBB-3D2B-1DBX	ZC-DCBB-3D2B-1DPX
16401	ZA-ACBB-3D2C-1DBX	ZC-ACBB-3D2C-1DPX
16568	ZA-DHBB-2K8C-1EBX	ZC-DHBB-2K8C-1EPX
16569	ZA-AHBB-2K8B-1EBX	ZC-AHBB-2K8B-1EPX
14331	ZA-DCBB-2K5A-1DBX	ZC-DCBB-2K5A-1DPX
	ZC-DCBB-2K5A-1DXX	
14332	ZA-ACBB-2K5A-1DBX	ZC-ACBB-2K5A-1DPX
	ZC-ACBB-2K5A-1DXX	
00177200	ZA-AHBB-2L7B-1DBX	ZC-AHBB-2K7B-1DPX
	ZA-AHBB-2K7B-1DBX	
00177300	ZA-DHBB-2L7C-1DBX	ZC-DHBB-2K7C-1DPX
	ZA-DHBB-2K7C-1DBX	
00348000	ZA-ACBB-3D7B-1GBX	ZC-ACBB-3D7B-1GPX
	ZA-ACBB-3D7B-1GPX	
00348100	ZA-DCBB-3D7C-1GBX	ZC-DCBB-3D7C-1GPX
	ZA-DCBB-3D7C-1GPX	
00498100	ZB-DKBB-2D7C-1LBX	ZC-DHBB-3D7C-1LPX
	ZB-DKBB-3D7C-1LBX	
00498200	ZB-AKBB-2D7B-1LBX	ZC-AHBB-3D7B-1LPX
	ZB-AKBB-3D7B-1LBX	
001609400	ZA-ACBB-2D2C-1DBX	ZC-ACBB-2D2C-1DPX
001609500	ZA-DCBB-2D2B-1DBX	ZC-DCBB-2D2B-1DPX
	ZA-ACBB-3A5A-1DXX	ZC-ACBB-3A5A-1DPX
	ZA-DCBB-3A5A-1DXX	ZC-DCBB-3A5A-1DPX
78111	ZA-DHBB-2D5A-2DCX	ZC-DHBB-2D5A-2DPX
78112	ZA-AHBB-2D5A-2DCX	ZC-AHBB-2D5A-2DPX
	ZC-ACBB-XYLB-1EPA	72079