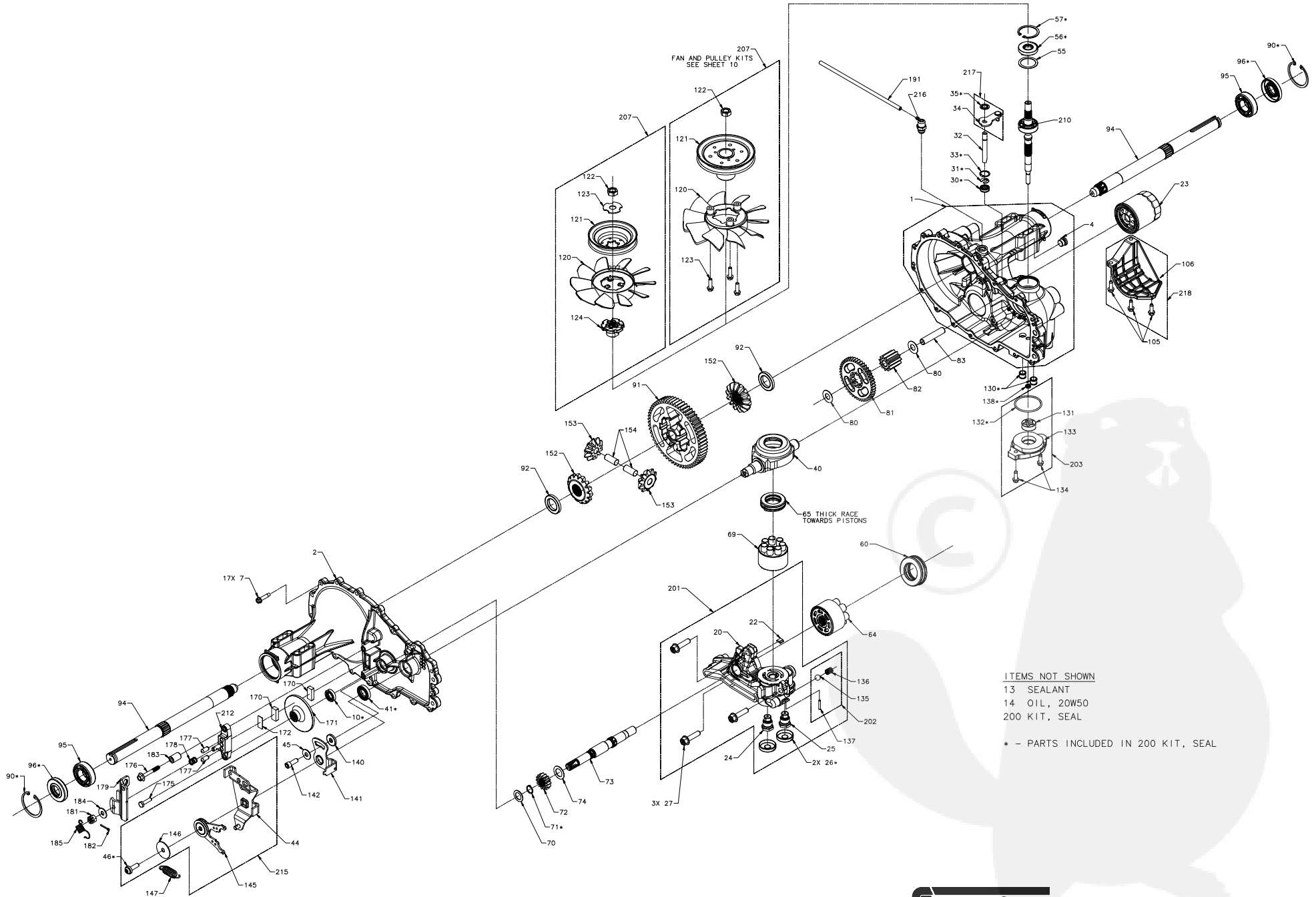


G700 SERVICE SCHEMATIC



G700 SERVICE SCHEMATIC

MODEL NUMBER:

G	7				
---	---	--	--	--	--

 -

--	--	--	--	--	--

 -

		*	*		
--	--	---	---	--	--

 -

--	--	--	--	--	--

 CHARACTER #:

1	2				
---	---	--	--	--	--

 -

3	4	5	6		
---	---	---	---	--	--

 -

7	8	9	10		
---	---	---	----	--	--

 -

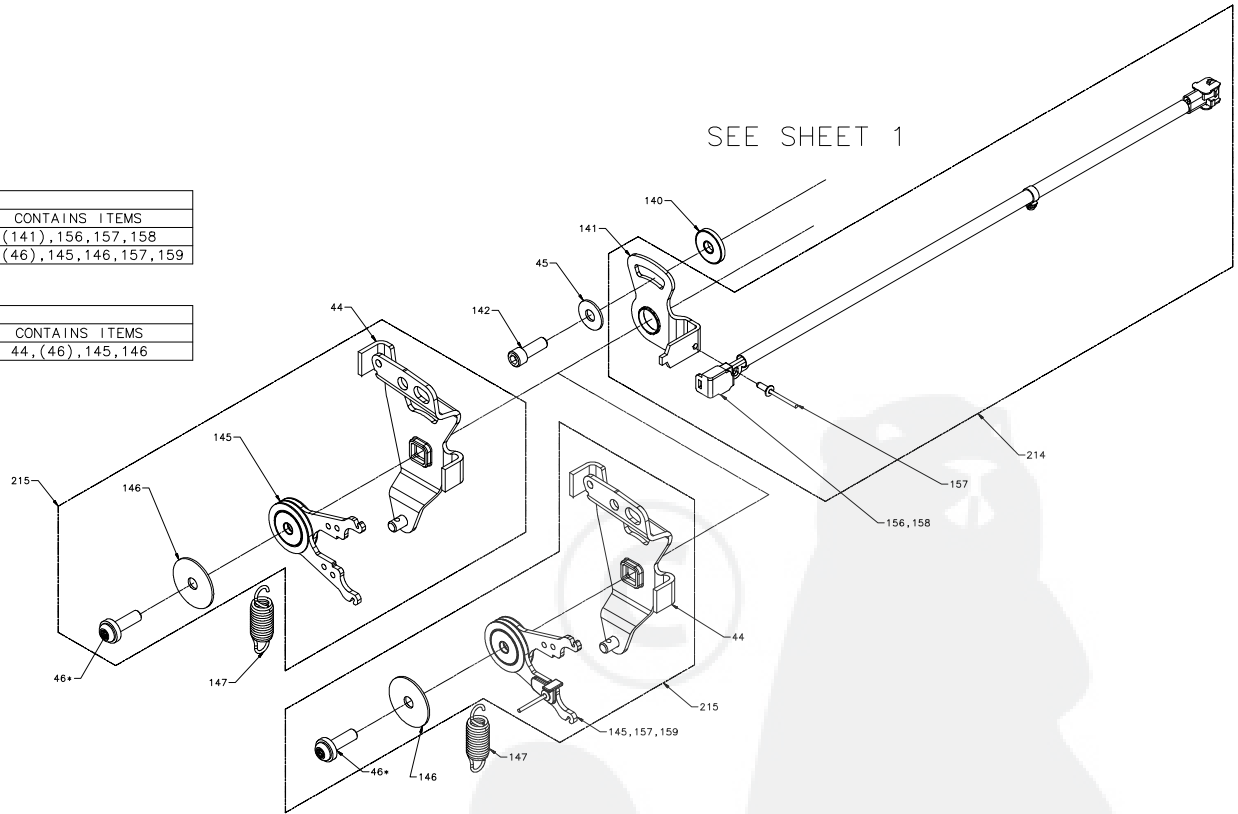
11	12	13	14		
----	----	----	----	--	--

CONTROL TYPE					
CHAR 9	CHAR 10	ITEM	COMPONENT	DESCRIPTION	QTY
7,D	B,C	045	44130	WASHER, .24 X .88 X .06	1
		046	51812	TWHCS 5.16-24 X 1.00 (PATCH)	1
		140	52527	SPACER, .320 X 1.005 X .179	1
		141	52921	ASSEMBLY, RTN, NEUTRAL ARM	1
		142	51616	SHCS 5/16-24 X 1 PATCH	1

SPRING					
CHAR 9	CHAR 10	ITEM	COMPONENT	DESCRIPTION	QTY
7,D	B,C	147	51605	SPRING, EXTENSION RTN - 44 LBS	1

ROS						
CHAR 9	CHAR 10	ITEM	COMPONENT	DESCRIPTION	QTY	CONTAINS ITEMS
D	C	214	71750	KIT, ROS	1	(141),156,157,158
		215	71771	KIT, RTN/ROS	1	44,(46),145,146,157,159

RTN ASSEMBLY						
CHAR 9	CHAR 10	ITEM	COMPONENT	DESCRIPTION	QTY	CONTAINS ITEMS
7	B	215	71827	KIT, RTN BIDIRECTIONAL	1	44,(46),145,146



* - PARTS INCLUDED IN 200 KIT, SEAL

ITEM	COMPONENT	DESCRIPTION	QTY
200	71632	KIT, SEAL	1

() INDICATES THAT PART IS LISTED ELSEWHERE IN THE BOM AND IS AVAILABLE AS AN INDIVIDUAL PART.



G700 SERVICE SCHEMATIC

MODEL NUMBER:

G	7	*	*	*
---	---	---	---	---

 -

--	--	--	--

 -

--	--	--	--

 -

--	--	--	--

CHARACTER #:

1	2	3	4	5	6
---	---	---	---	---	---

 -

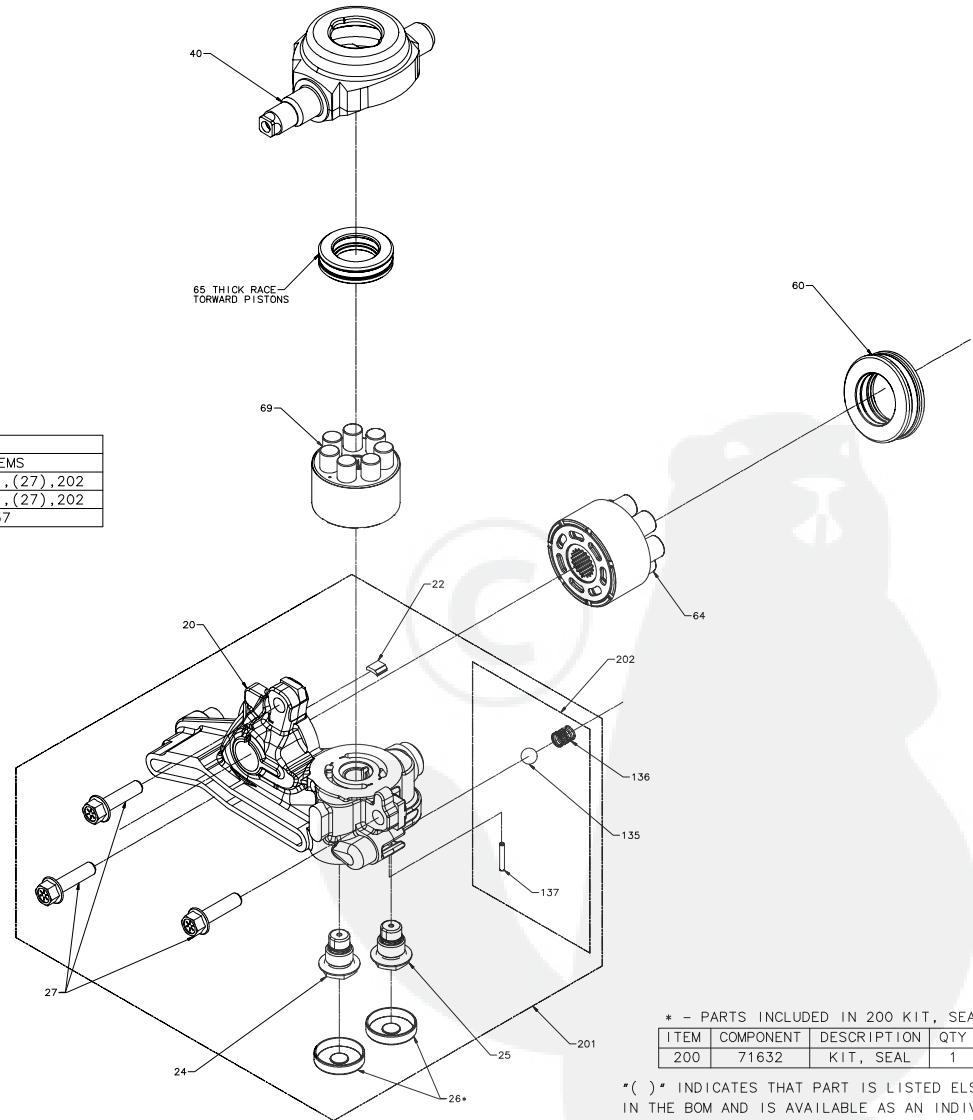
7	8	9	10
---	---	---	----

 -

11	12	13	14
----	----	----	----

COMMON PARTS			
ITEM	COMPONENT	DESCRIPTION	QTY
022	51448	PLATE, BYPASS	1
026	52162	SEAL, PLUG 1.250 X .250	2
027	52137	HFHCS 3/8-16 X 1.5 (PATCH)	3
040	51048	TRUNNION, SWASHPLATE	1
060	51462	BEARING, THRUST	1
064	70735	ASSEMBLY, CYLINDER BLOCK, 16cc	1
065	50551	BEARING, THRUST BALL 30 X 52 X 13	1
069	70723	ASSEMBLY, BLOCK 7 PISTON	1

CENTER SECTION KITS							
CHAR 3	CHAR 5	CHAR 6	ITEM	COMPONENT	DESCRIPTION	QTY	CONTAINS ITEMS
B	B	B	201	71639	KIT, CENTER SECTION, LH, CHR	1	20, (22), 24, 25, (26), (27), 202
				71708	KIT, CENTER SECTION, LH, CHR	1	20, (22), 24, 25, (26), (27), 202
			202	71436	KIT, CHARGE RELIEF	1	135, 136, 137



* - PARTS INCLUDED IN 200 KIT, SEAL

ITEM	COMPONENT	DESCRIPTION	QTY
200	71632	KIT, SEAL	1

*() * INDICATES THAT PART IS LISTED ELSEWHERE IN THE BOM AND IS AVAILABLE AS AN INDIVIDUAL PART.



G700 SERVICE SCHEMATIC

MODEL NUMBER:

G	7	*			
---	---	---	--	--	--

 -

--	--	--	--	--	--

 -

--	--	--	--	--	--

 -

--	--	--	--	--	--

CHARACTER #:

1	2	3	4	5	6
---	---	---	---	---	---

 -

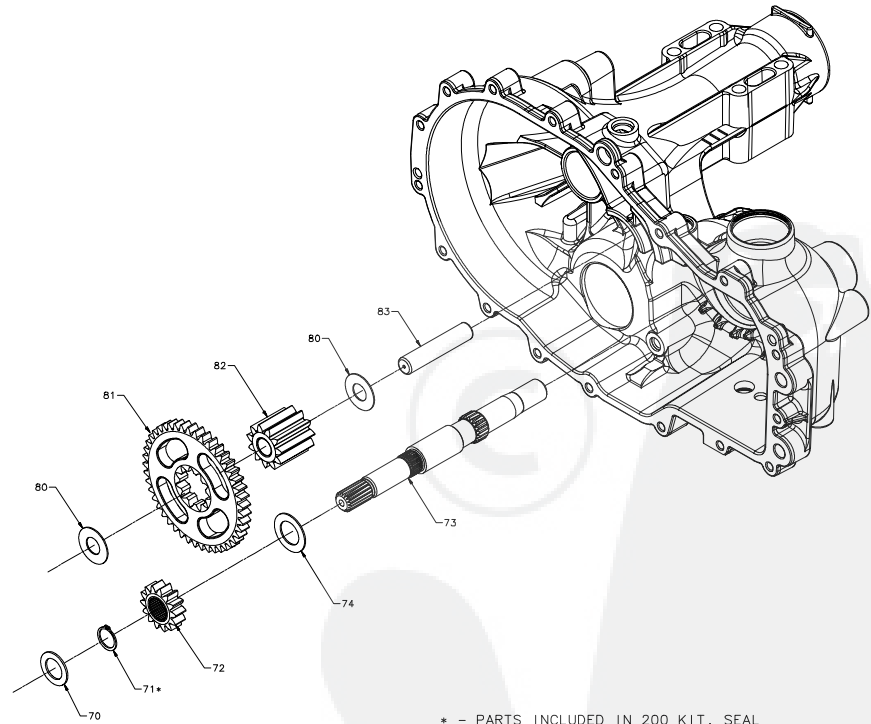
7	8	9	10
---	---	---	----

 -

11	12	13	14
----	----	----	----

REDUCTION RATIO				
CHAR 3	ITEM	COMPONENT	DESCRIPTION	QTY
B	072	52109	GEAR, 14T	1
	081	52110	GEAR, 45T	1
	082	52583	GEAR, 11T	1

COMMON PARTS				
ITEM	COMPONENT	DESCRIPTION	QTY	
070	44371	WASHER, .63 X 1.0 X .05	1	
071	44145	RING, RETAINING .625 EXTERNAL	1	
073	52585	SHAFT, MOTOR	1	
074	51069	WASHER, .72 X 1.16 X .04	1	
080	50132	WASHER, .5 X 1.0 X .03	2	
083	51083	PIN, JACKSHAFT	1	



* - PARTS INCLUDED IN 200 KIT, SEAL

ITEM	COMPONENT	DESCRIPTION	QTY
200	71632	KIT, SEAL	1

G700 SERVICE SCHEMATIC

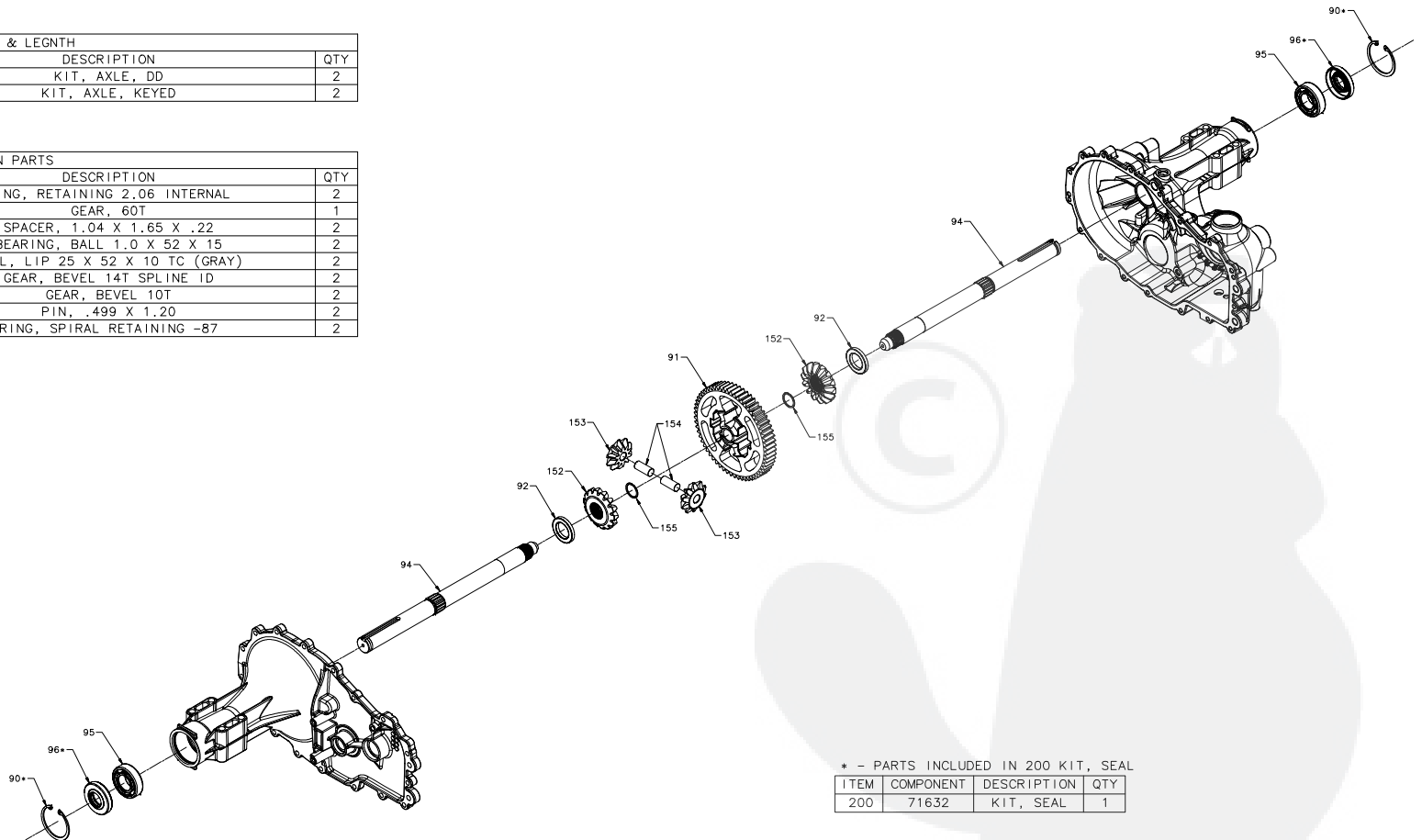
MODEL NUMBER:

G	7	-		*												
1	2	-	3	4	5	6	-	7	8	9	10	-	11	12	13	14

FOR MODELS BUILT BEFORE MARCH 9TH, 2009 [SN 9068YXXXX]*
 [FOR MODELS BUILT ON OR AFTER MARCH 9TH, 2009 SEE NEXT PAGE]

AXLE END & LEGNTH				
CHAR 4	ITEM	COMPONENT	DESCRIPTION	QTY
B		72022	KIT, AXLE, DD	2
C	094	72021	KIT, AXLE, KEYED	2

COMMON PARTS				
ITEM	COMPONENT	DESCRIPTION	QTY	
090	50859	RING, RETAINING 2.06 INTERNAL	2	
091	52577	GEAR, 60T	1	
092	51939	SPACER, 1.04 X 1.65 X .22	2	
095	50771	BEARING, BALL 1.0 X 52 X 15	2	
096	50772	SEAL, LIP 25 X 52 X 10 TC (GRAY)	2	
152	52599	GEAR, BEVEL 14T SPLINE ID	2	
153	52600	GEAR, BEVEL 10T	2	
154	52608	PIN, .499 X 1.20	2	
155	52531	RING, SPIRAL RETAINING -87	2	



* - PARTS INCLUDED IN 200 KIT, SEAL

ITEM	COMPONENT	DESCRIPTION	QTY
200	71632	KIT, SEAL	1

*NOTE: HOW TO READ BAR CODE LABEL SERIAL NUMBER DATE CODE
 EX. 9XXXXXXX CHARACTER 1 = YEAR (2009), CHARACTERS 2, 3 & 4 ARE 1234
 JULIAN DATE CODE 001 THRU 365 (001 = JAN 1; 032 = FEB 1; 365 = DEC 31)



G700 SERVICE SCHEMATIC

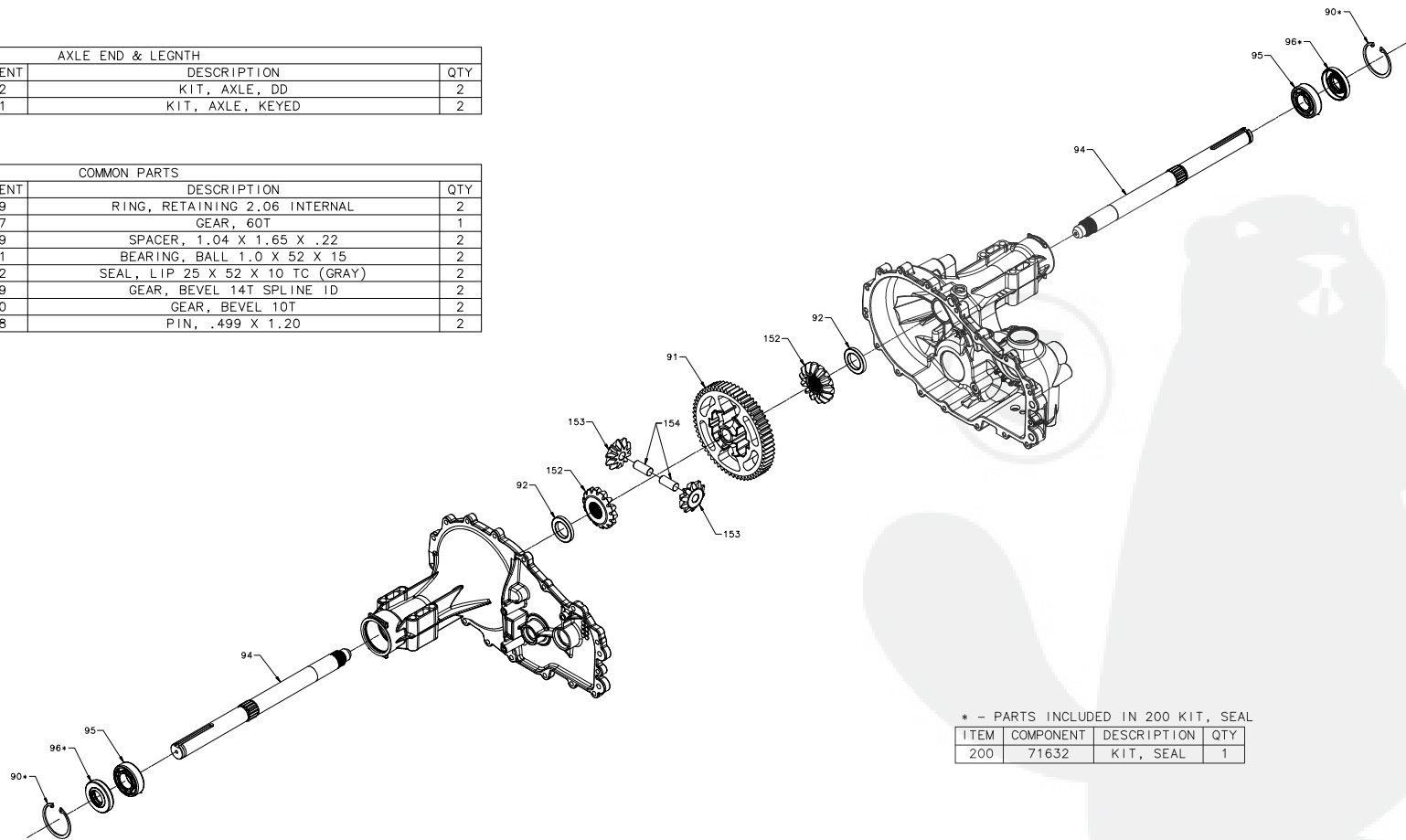
MODEL NUMBER:

G	7	-		*			-									
1	2	-	3	4	5	6	-	7	8	9	10	-	11	12	13	14

FOR MODELS BUILT ON OR AFTER MARCH 9TH, 2009 [SN 9068YXXXX]*
 [FOR MODELS BUILT BEFORE MARCH 9TH, 2009 SEE PREVIOUS PAGE]

AXLE END & LENGTH				
CHAR 4	ITEM	COMPONENT	DESCRIPTION	QTY
B	094	72022	KIT, AXLE, DD	2
C		72021	KIT, AXLE, KEYED	2

COMMON PARTS				
ITEM	COMPONENT	DESCRIPTION	QTY	
090	50859	RING, RETAINING 2.06 INTERNAL	2	
091	52577	GEAR, 60T	1	
092	51939	SPACER, 1.04 X 1.65 X .22	2	
095	50771	BEARING, BALL 1.0 X .52 X 15	2	
096	50772	SEAL, LIP 25 X 52 X 10 TC (GRAY)	2	
152	52599	GEAR, BEVEL 14T SPLINE ID	2	
153	52600	GEAR, BEVEL 10T	2	
154	52608	PIN, .499 X 1.20	2	



* - PARTS INCLUDED IN 200 KIT, SEAL

ITEM	COMPONENT	DESCRIPTION	QTY
200	71632	KIT, SEAL	1

*NOTE: HOW TO READ BAR CODE LABEL SERIAL NUMBER DATE CODE
 EX. 9XXXXXXX CHARACTER 1 = YEAR (2009), CHARACTERS 2, 3 & 4 ARE 1234
 JULIAN DATE CODE 001 THRU 365 (001 = JAN 1; 032 = FEB 1; 365 = DEC 31)



G700 SERVICE SCHEMATIC

MODEL NUMBER:

G	7	*				*				*			
---	---	---	--	--	--	---	--	--	--	---	--	--	--

 CHARACTER #:

1	2	3	4	5	6	7	8	9	10	11	12	13	14
---	---	---	---	---	---	---	---	---	----	----	----	----	----

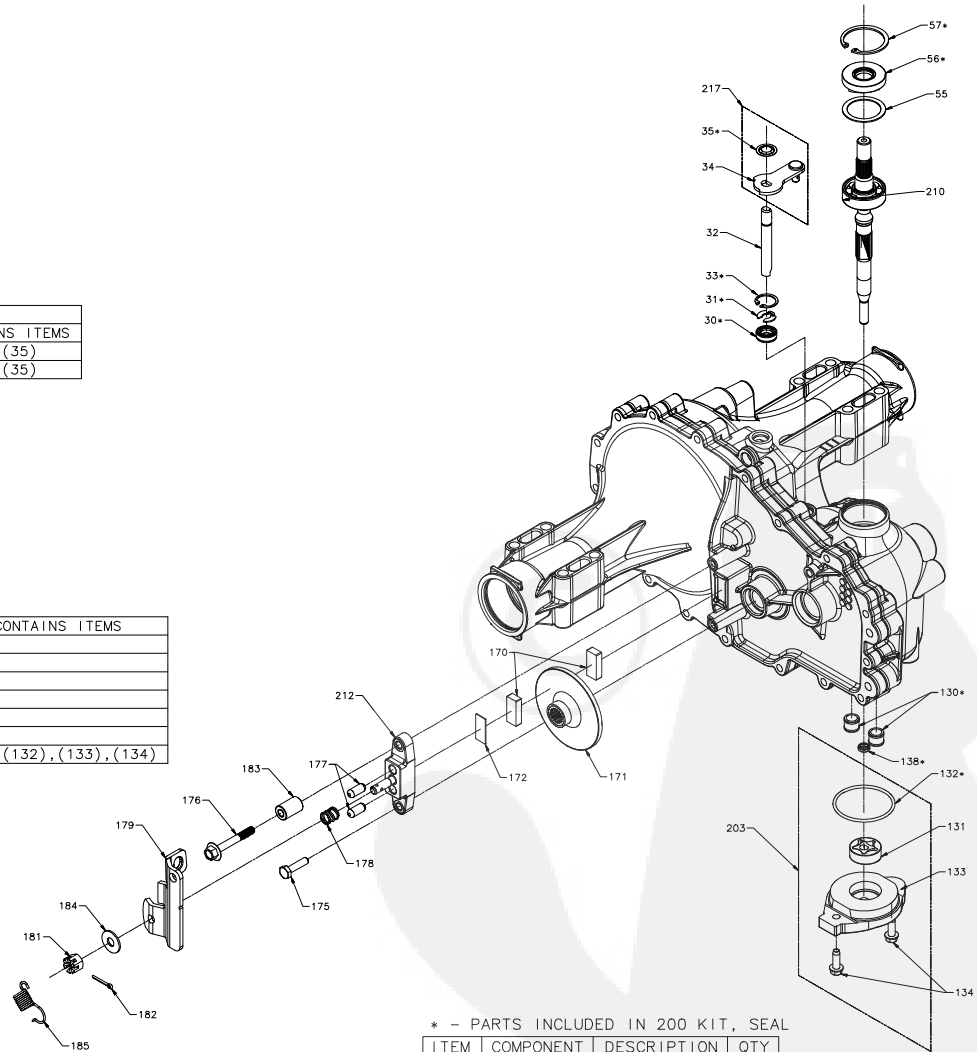
BRAKE ARM				
CHAR 7	ITEM	COMPONENT	DESCRIPTION	QTY
1	179	50911	ARM, BRAKE	1

BRAKE				
CHAR 7	ITEM	COMPONENT	DESCRIPTION	QTY
	170	44132	PUCK, BRAKE	2
	171	53989	ROTOR, BRAKE	1
	172	44134	PLATE, PUCK	1
	175	44433	BOLT, HEX HEAD 1/4-20 X 1 W/PATCH	1
	176	51146	BOLT, HEX HEAD 1/4-20 X 2 W/PATCH	1
	177	44127	PIN, BRK .31 X .73 PLATED	2
	178	50919	SPRING, COMP BRAKE ANTI-DRAG	1
	181	44142	NUT, CASTLE 5/16-24 PL	1
	182	44101	PIN, COTTER 3/32 X 3/4	1
	183	23711	SPACER, .26 X .57 X .87	1
	184	44130	WASHER, .27 X .88 X .12	1
	185	50884	SPRING, BRAKE ARM BIAS	1
	212	70633	KIT, BRAKE-YOKE	1

BYPASS ARM					
CHAR 11	ITEM	COMPONENT	DESCRIPTION	QTY	CONTAINS ITEMS
1		70891	KIT, BYPASS ARM	1	34, (35)
2	217	71006	KIT, BYPASS ARM	1	34, (35)

COMMON PARTS				
ITEM	COMPONENT	DESCRIPTION	QTY	
030	51626	SEAL, LIP .375 X .75 X .25	1	
031	51628	RING, RETAINING .375 EXTERNAL	1	
032	52136	ROD, BYPASS	1	
033	51627	RING, RETAINING .750 INTERNAL	1	
035	51630	RING, RETAINING .375 EXTERNAL	1	
055	50951	WASHER, 1.23 X 1.56 X .04	1	
056	51161	SEAL, LIP 17 X 40 X 7	1	
057	50329	RING, RETAINING 1.575 INTERNAL	1	
210	71442	KIT, INPUT SHAFT	1	

CHAR 3	ITEM	COMPONENT	DESCRIPTION	QTY	CONTAINS ITEMS
	130	52157	TUBE, CONNECTING	2	
	131	50273	GEROTOR ASSEMBLY (1.9 cc/rev)	1	
	132	52250	O-RING -137 .103 X 2.050	1	
	133	53738	COVER, CHARGE PUMP	1	
	134	50752	SCREW, HEX FLANGE 1/4-20 X .75	2	
	138	53696	SEAL, GEROTOR .281 X .420 X .160	1	
	203	72274	KIT, CHARGE	1	(131), (132), (133), (134)



* - PARTS INCLUDED IN 200 KIT, SEAL

ITEM	COMPONENT	DESCRIPTION	QTY
200	71632	KIT, SEAL	1

* () * INDICATES THAT PART IS LISTED ELSEWHERE IN THE BOM AND IS AVAILABLE AS AN INDIVIDUAL PART.



G700 SERVICE SCHEMATIC

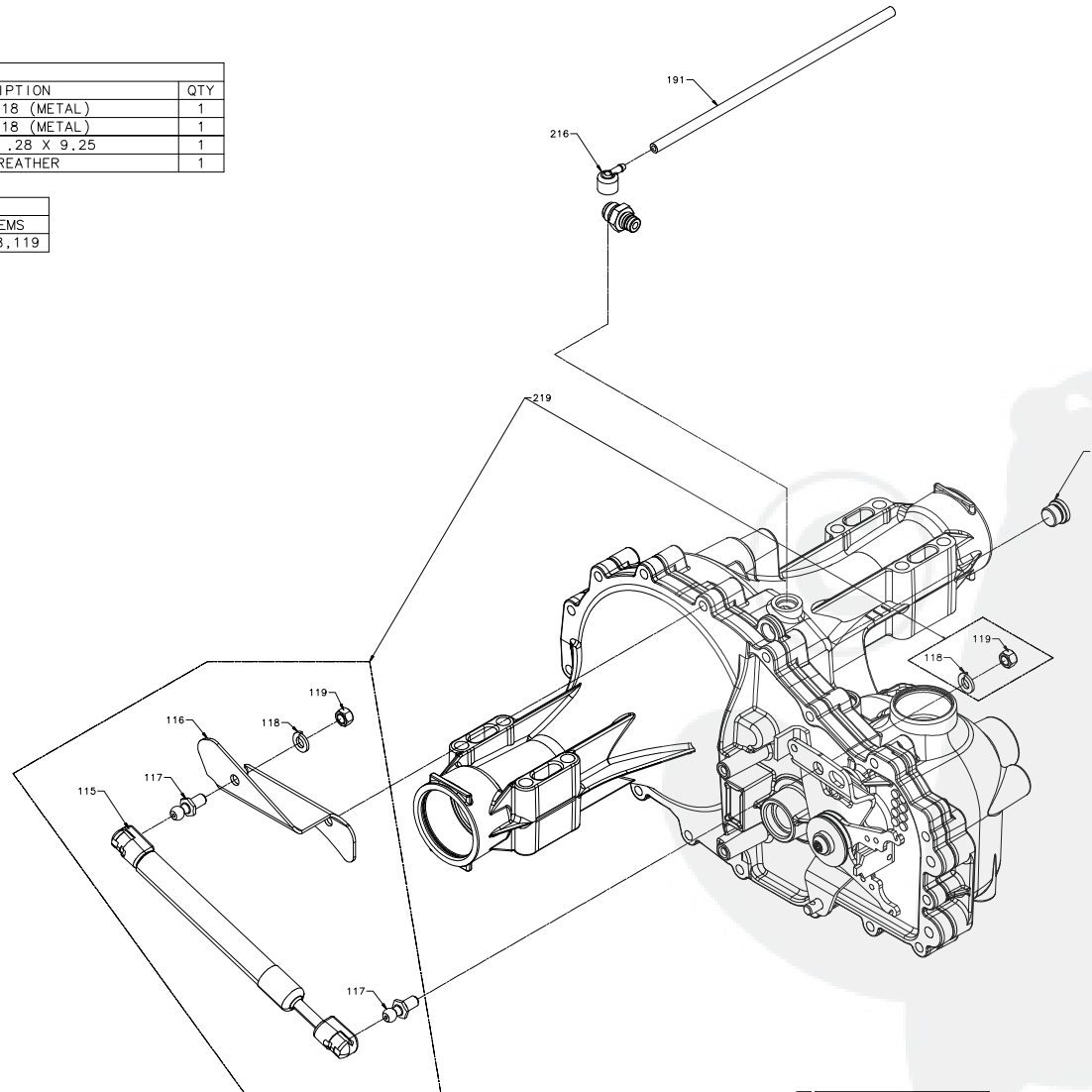
MODEL NUMBER:

G	7	-			*		-					-			*	*
1	2	-	3	4	5	6	-	7	8	9	10	-	11	12	13	14

CHARACTER #:

BREATHER FITTINGS						
CHAR 5	CHAR 13	ITEM	COMPONENT	DESCRIPTION	QTY	
A THRU G	X	004	9005110-5600	PLUG 9/16-18 (METAL)	1	
	C	004	9005110-5600	PLUG 9/16-18 (METAL)	1	
		191	53241	TUBE .16 X .28 X 9.25	1	
		216	71524	KIT, BREATHER	1	

DAMPER						
CHAR 14	ITEM	COMPONENT	DESCRIPTION	QTY	CONTAINS ITEMS	
A	219	71878	KIT, DAMPER	1	115,116,117,118,119	



G700 SERVICE SCHEMATIC

MODEL NUMBER:

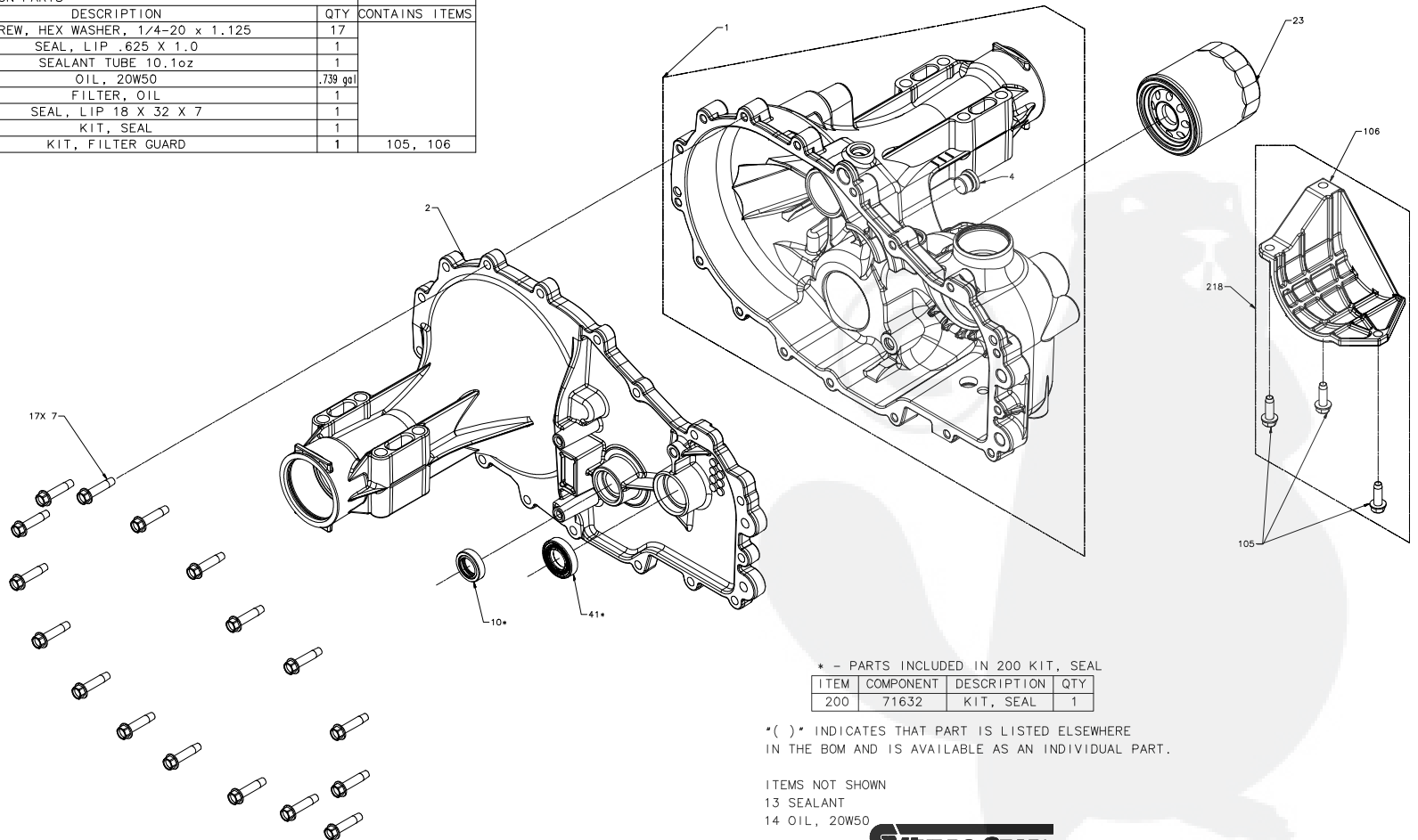
G	7	-			*		-					-				
---	---	---	--	--	---	--	---	--	--	--	--	---	--	--	--	--

 CHARACTER #:

1	2	-	3	4	5	6	-	7	8	9	10	-	11	12	13	14
---	---	---	---	---	---	---	---	---	---	---	----	---	----	----	----	----

HOUSING OPTIONS					
CHAR 5	ITEM	COMPONENT	DESCRIPTION	QTY	CONTAINS ITEMS
A THRU G	001	71629	KIT, HOUSING, MAIN	1	1, (4)
A THRU T	002	71630	KIT, HOUSING, SIDE	1	

COMMON PARTS					
ITEM	COMPONENT	DESCRIPTION	QTY	CONTAINS ITEMS	
007	53246	SCREW, HEX WASHER, 1/4-20 x 1.125	17		
010	44761	SEAL, LIP .625 X 1.0	1		
013	50928	SEALANT TUBE 10.1oz	1		
014		OIL, 20W50	.739 gal		
023	52114	FILTER, OIL	1		
041	51140	SEAL, LIP 18 X 32 X 7	1		
200	71632	KIT, SEAL	1		
218	71854	KIT, FILTER GUARD	1		105, 106



* - PARTS INCLUDED IN 200 KIT, SEAL

ITEM	COMPONENT	DESCRIPTION	QTY
200	71632	KIT, SEAL	1

*() * INDICATES THAT PART IS LISTED ELSEWHERE IN THE BOM AND IS AVAILABLE AS AN INDIVIDUAL PART.

ITEMS NOT SHOWN
 13 SEALANT
 14 OIL, 20W50

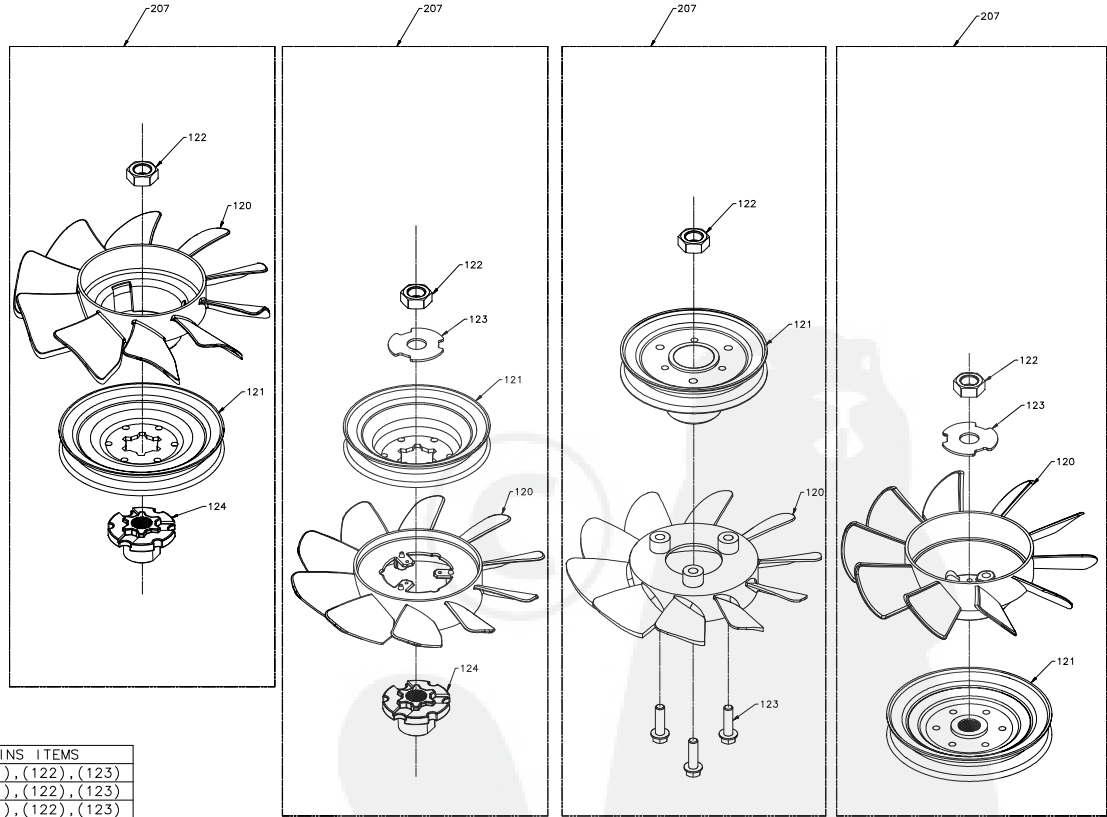


G700 SERVICE SCHEMATIC

MODEL NUMBER:

G	7	-														
1	2	-	3	4	5	6	-	7	8	9	10	-	11	12	13	14

FAN/PULLEY				
CHAR 12	ITEM	COMPONENT	DESCRIPTION	QTY
C	120	52913	FAN 7.0 (10 BLADE)	1
	121	52915	PULLEY	1
	122	44133	NUT, HEX JAM 1/2-20 W/ PATCH	1
	123	51076	SCREW HEX 1/4-20 X .875	3
	120	52955	FAN 7.0 (10 BLADE)	1
D	121	51585	PULLEY	1
	122	44133	NUT, HEX JAM 1/2-20 W/ PATCH	1
	123	51076	SCREW HEX 1/4-20 X .875	3
	120	51862	FAN 7.0 (10 BLADE)	1
E	121	51875	PULLEY	1
	122	44133	NUT, HEX JAM 1/2-20 W/ PATCH	1
	123	51523	WASHER, OD SLOTTED	1
	120	51862	FAN 7.0 (10 BLADE)	1
F	121	53223	PULLEY, 3.86 INCH	1
	122	44133	NUT, HEX JAM 1/2-20 W/ PATCH	1
	123	51523	WASHER, OD SLOTTED	1
	121	51585	PULLEY, 4.00 INCH	1
G	122	44133	NUT, HEX JAM 1/2-20 W/ PATCH	1
	120	53823	FAN 7.0 (10 BLADE)	1
1	121	53806	PULLEY, 4.5 INCH	1
	122	44133	NUT, HEX JAM 1/2-20 W/ PATCH	1
	124	53812	HUB, PULLEY	1
	120	53824	FAN 7.0 (10 BLADE)	1
2	121	53805	PULLEY, 4.0 INCH	1
	122	44133	NUT, HEX JAM 1/2-20 W/ PATCH	1
	124	53812	HUB, PULLEY	1
	120	53810	FAN 7.0 (10 BLADE)	1
3	121	53815	PULLEY, 4.0 INCH	1
	122	44133	NUT, HEX JAM 1/2-20 W/ PATCH	1
	123	51523	WASHER, OD SLOTTED	1
	124	53812	HUB, PULLEY	1
	120	53821	FAN 7.0 (10 BLADE)	1
4	121	53815	PULLEY, 4.0 INCH	1
	122	44133	NUT, HEX JAM 1/2-20 W/ PATCH	1
	124	53812	HUB, PULLEY	1



CHAR 12	ITEM	COMPONENT	DESCRIPTION	QTY	CONTAINS ITEMS
C	207	71698	KIT, FAN/PULLEY	1	(120),(121),(122),(123)
D	207	71713	KIT, FAN/PULLEY	1	(120),(121),(122),(123)
E	207	70489	KIT, FAN/PULLEY	1	(120),(121),(122),(123)
F	207	71832	KIT, FAN/PULLEY	1	(120),(121),(122),(123)
G	207	72094	KIT, PULLEY	1	(121),(122)
1	207	72125	KIT, FAN/PULLEY	1	(120),(121),(122),(124)
2	207	72129	KIT, FAN/PULLEY	1	(120),(121),(122),(124)
3	207	72133	KIT, FAN/PULLEY	1	(120),(121),(122),(123),(124)
4	207	72275	KIT, FAN/PULLEY	1	(120),(121),(122),(124)

* () * INDICATES THAT PART IS LISTED ELSEWHERE IN THE BOM AND IS AVAILABLE AS AN INDIVIDUAL PART.