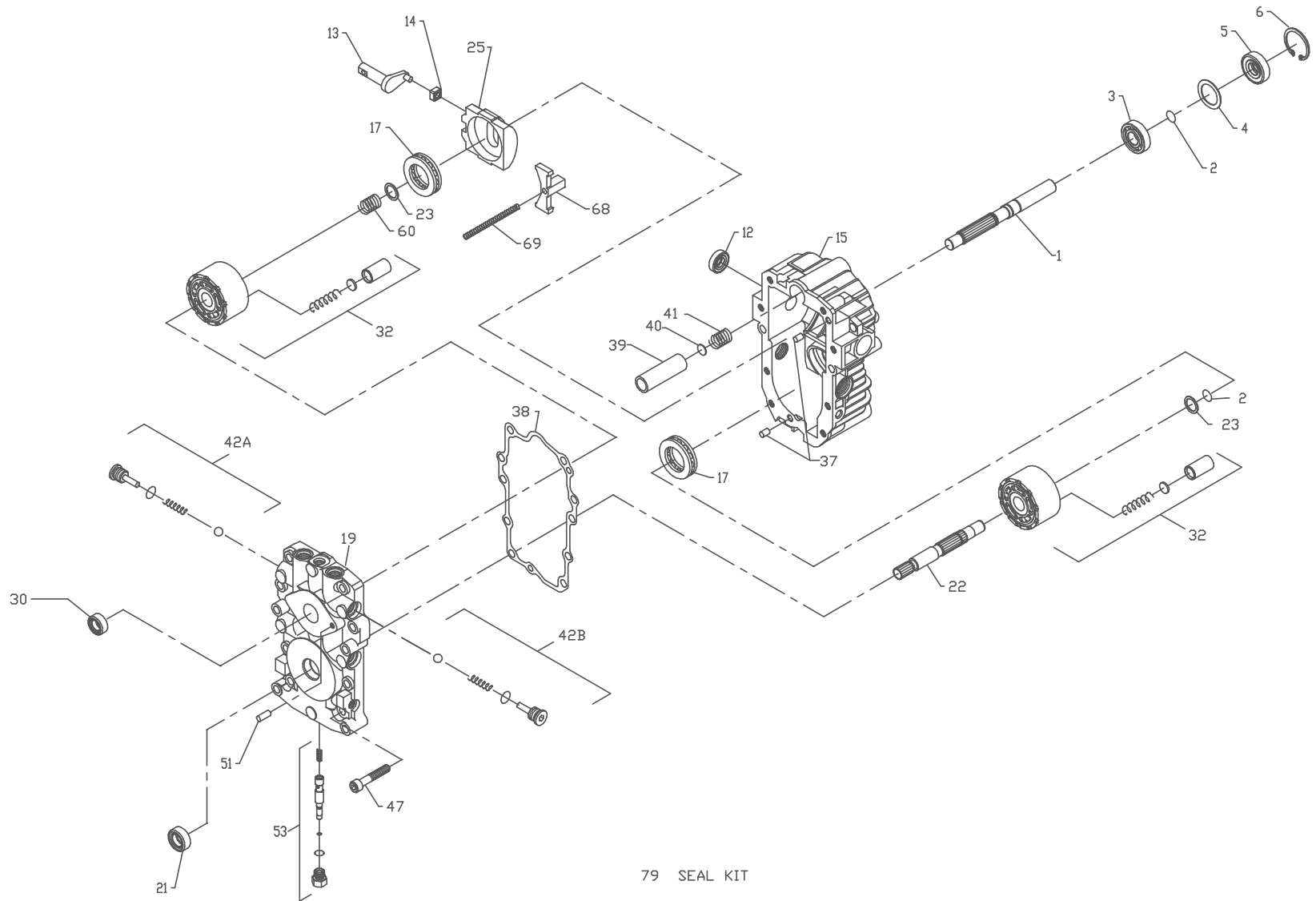


BDU-10S



BDU-10S

ITEM #	HYDRO-GEAR PART #	DESCRIPTION
1	2003021	SHAFT - PUMP (BLD KEY, NC)-A
	2003022	SHAFT - PUMP (18T SPLINE, SER)-B
2	2003016	WIRE RETAINING RING
3	2003043	BALL BEARING
4	2003018	SPACER
5	9008000-0128	LIP SEAL 15 x 35 x 7
6	2003052	RETAINING RING
12	9008000-0126	SEAL - LIP 12 x 25 x 7
13	2003005	TRUNNION ARM
14	2000015	SLOT GUIDE
15	2513003	HOUSING KIT (T-RH; D-R,T) (INCLUDES ITEM #8)
	2513019	HOUSING KIT (T-RH; D-L,T) "
	2513020	HOUSING KIT (T-LH; D-L,T) "
	2513021	HOUSING KIT (T-RH; D-L,T; INA) "
	2513023	HOUSING KIT (T-LH; D-L,T; INA) "
17	50551	BALL THRUST BEARING
19	2513007	CENTER SECTION (THRU SHAFT)
	2513008	CENTER SECTION
21	9008000-0127	SEAL - LIP
22	2003032	SHAFT - MOTOR -A (16T SPLINE W/SNAP RING GROOVE)
	2003033	SHAFT - MOTOR -C (SERRATION)
	2003034	SHAFT - MOTOR -B (16T SPLINE)

ITEM #	HYDRO-GEAR PART #	DESCRIPTION
23	2003017	BLOCK THRUST WASHER
25	2003087	SWASHPLATE
30	9008000-0125	SEAL - LIP 0.50 x 0.88 x 0.25
32	70331	CYLINDER BLOCK KIT
37	9004800-2506	PIN - STRAIGHT HEADLESS
38	2003060	HOUSING GASKET
39	2003003	FILTER
40	2000011	WASHER - SHAFT THRUST
41	2003010	SPRING - HELICAL COMPRESSION (FILTER)
42	2513014	CHECK VALVE KIT (3/8" BALL)
	2513034	CHECK VALVE KIT (0.031" ORIFICE)
	2513033	CHECK VALVE KIT (0.044" ORIFICE)
47	9007314-0810	SOCKET HEAD SCREW
51	9004690	PIN - SPIRAL
53	2513011	BYPASS VALVE KIT (STD)
60	200314	SPRING - BLOCK
68	2003091	LEVELER
69	2003092	SPRING - HELICAL COMPRESSION
79	2513013	SEAL KIT

