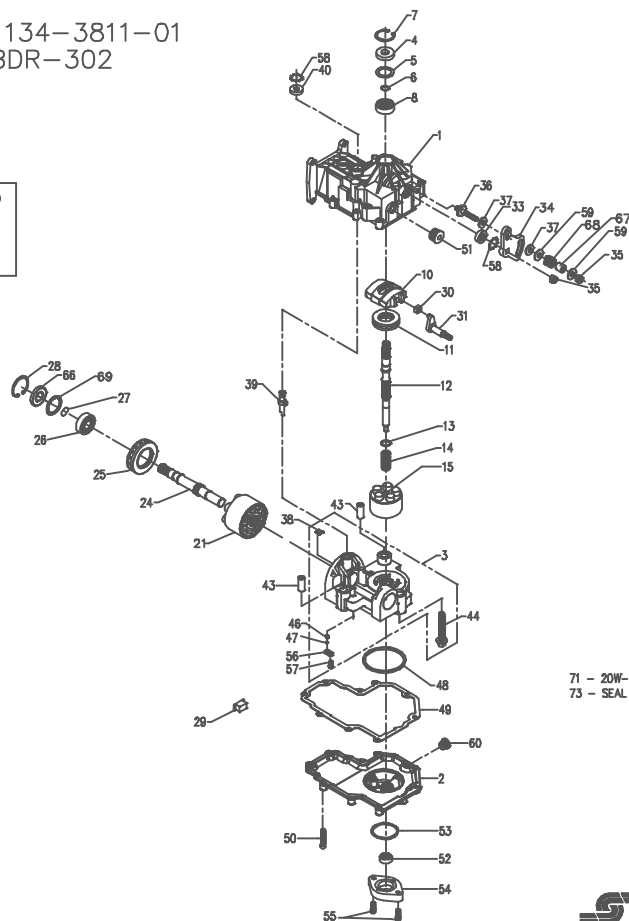
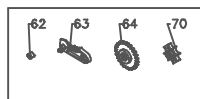


1134-3811-01
BDR-302



71 - 20W-50 OIL
73 - SEAL KIT



P.1 of 2. 70306-P8

1134-3811-01
BDR-302

ITEM #	PART #	QTY	DESCRIPTION
1	70315	1	UPPER HOUSING ASSEMBLY
2	50301	1	LOWER HOUSING
3	70709	1	KIT, CENTER SECTION
		1	CENTER SECTION
		1	JOURNAL BEARING .50 X .595
		1	BUSHING .673 X 1.0 X .7
		1	PLATE, BYPASS
		3	HFCS 3/8-24 X 2.5 (PATCH)
		2	CHECK PLUG ASSEMBLY (.027)
		1	CHARGE RELIEF SPRING
		1	BALL 1/4
		1	RELIEF, PLATE
		1	THCS - STAP 10-32 X .5
4	9008000-0128	1	LIP SEAL
5	2003018	1	SPACER
6	2003016	1	WIRE RETAINING RING
7	2003052	1	RETAINING RING
8	2003043	1	BALL BEARING
10	2003087	1	VARIABLE SWASHPLATE
11	50551	1	THRUST BEARING 30 X 52 X 13
12	50303	1	INPUT SHAFT
13	2003017	1	BLOCK THRUST WASHER
14	2003014	1	BLOCK SPRING
15	70331	1	10cc CYLINDER BLOCK ASSEMBLY
21	70082	1	21cc CYLINDER BLOCK ASSEMBLY
24	50933	1	OUTPUT (MOTOR) SHAFT
25	50552	1	THRUST BEARING 42 X 68 X 16
26	50315	1	BALL BEARING
27	2000022	1	WIRE RETAINING RING
28	50329	1	RETAINING RING
29	50649	1	RETAINER, MOTOR BEARING
30	2000015	1	SLOT GUIDE
31	50807	1	TRUNNION ARM
33	51041	1	LIP SEAL
34	50733	1	CONTROL ARM
35	50317	2	HEX LOCK NUT, 5/16-24
36	50284	1	STUD - 5/16-24
37	50281	2	FRICITION PUCK

ITEM #	PART #	QTY	DESCRIPTION
38	70680	1	KIT, BYPASS PLATE
39	2003555	1	BYPASS ACTUATOR
40	45074	1	LIP SEAL
43	50002	2	PIN
44	50016	3	SCREW
46	2000029	1	CHARGE RELIEF SPRING
47	9001214-2500	1	BALL
48	50578	1	O RING
49	50331	1	GASKET
50	44876	9	SCREW-SELF TAPPING
51	9005110-8700	1	DRAIN PLUG
52	50273	1	GEROTOR ASSEMBLY
53	9004101-1340	1	O RING
54	50260	1	GEROTOR COVER
55	50095	2	SCREW
56	50651	1	PLATE RELIEF
57	50653	1	SCREW
58	50650	2	RETAINING RING
59	44130	2	WASHER
60	9005200-5600	1	SHIPPING PLUG
62	51108	1	BUSHING 0.260X0.394X0.330
63	51104	1	PARKING BRAKE ARM
64	50754	1	BRAKE SPROCKET
66	51161	1	LIP SEAL 17 X 40 X 7
67	50278	1	SPACER
68	50277	1	SPRING
69	50951	1	SPACER
70	50944	1	SPROCKET
71		34.6oz	20W50 OIL
73	70490	1	SEAL KIT



P.2 of 2. 70306-P8