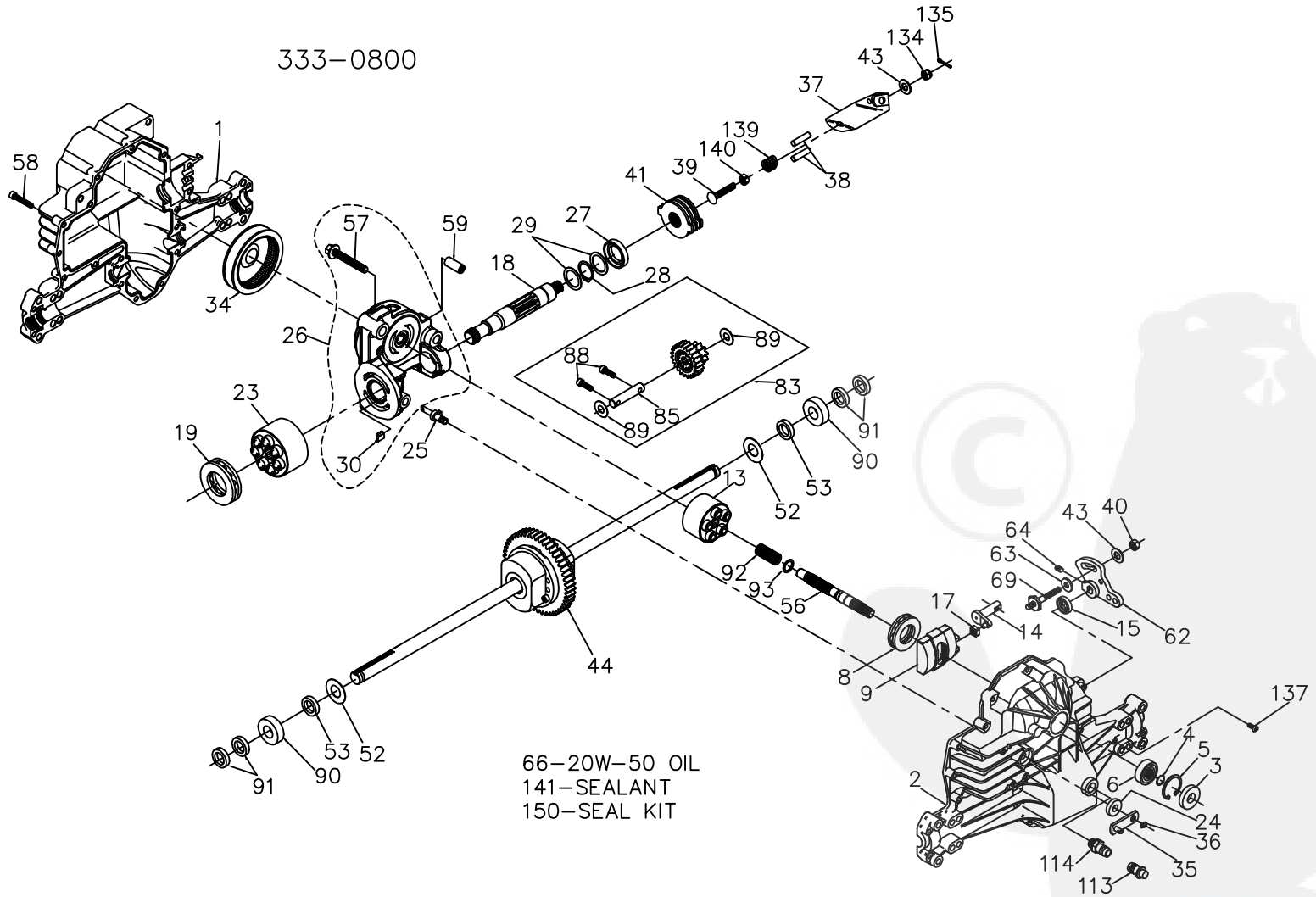


333-0800



66-20W-50 OIL
141-SEALANT
150-SEAL KIT

333-0800

ITEM NO	HYDRO-GEAR PART NO	QTY	DESCRIPTION	ITEM NO	HYDRO-GEAR PART NO	QTY	DESCRIPTION
1	50074RM	1	HOUSING, LOWER	44	70130	1	DIFFERENTIAL ASSEMBLY
2	70281	1	ASSEMBLY, UPPER HOUSING			1	GEAR-DIFF. 50T
		2	BEARING, CRADLE			2	DIFF. COVER
		1	HOUSING, UPPER			2	GEAR-BEVEL 15T
		1	BEARING-TRUNNION JOURNAL			2	GEAR-PLANET 15T
3	9008000-0128	1	SEAL-LIP			2	JAM NUT
4	2003016	1	RING-WIRE RETAINING			4	BOLT- 1/4-20 X 1.38
5	2003052	1	RING-RETAINING			1	AXLE SHAFT, RH
6	2003043	1	BEARING-SHAFT BALL			1	AXLE SHAFT, LH
8	50551	1	BEARING-THRUST 30X52X13			2	BEARING, BLOCK
9	2003087	1	SWASHPLATE-VARIABLE			1	SHAFT
13	70331	1	BLOCK-CYLINDER ASS'Y.	52	50152	2	WASHER-3/4 X 1.5 X .03
		1	BLOCK-CYLINDER	53	45076	2	SEAL- .75 X 1.25 X .250
		5	PISTON	56	50005	1	SHAFT-INPUT
		5	PISTON SPRING	57	50016	3	BOLT, 3/8-24 X 2.5
		5	PISTON SPRING WASHER	58	44876	21	BOLT- 1/4-20 X 1.38
14	2003005	1	ARM-TRUNNION	59	50002	2	PIN- .39 ID X .5 OD X 1.12
15	9008000-0126	1	SEAL-LIP	62	50254	1	ARM-CONTROL
17	2000015	1	GUIDE-SLOT	63	50281	1	PUCK-DAMPENER
18	50449	1	SHAFT-MOTOR	64	50018	1	SET SCREW
19	50552	1	BEARING-THRUST 42X68X16	66		81oz	20W-50 OIL
23	70082	1	BLOCK-CYLINDER (MOTOR) ASSY	69	50426	1	5/16-24 X 1.5 STUD
		1	BLOCK-CYLINDER	83	70132	1	JACK SHAFT/PINION GEAR ASSEMBLY
		7	PISTON			1	23T GEAR
		7	PISTON SPRING			1	10T PINION
		7	PISTON SPRING WASHER			1	JACK SHAFT
24	45074	1	SEAL-LIP 10X25X7			2	CAPSCREW M6 X 20 LG
25	2003555	1	ACTUATOR-BYPASS			2	WASHER .5 X 1 X .032
26	70250	1	KIT, CENTER SECTION	85	50559	1	JACK SHAFT
		1	PLATE, BYPASS	88	50154	2	CAPSCREW M6 X 20 LG
		2	CHECK PLUG ASSEMBLY	89	50132	2	WASHER .5 X 1 X .032
		1	CENTER SECTION	90	44121	2	BALL BEARING
		1	DU BEARING	91	50941	4	SEAL, LIP .75 X 1.00 X .158
		3	BOLT-3/8-24 X 2.5	92	2003014	1	SPRING, BLOCK
		1	BUSHING, 1.02 X 1.1 X .67	93	2003017	1	WASHER, BLOCK THRUST
27	45075	1	SEAL-LIP 26X42X8	113	70109	1	CAP-VENT ASSEMBLY
28	50007	1	RING-RETAINING			1	CAP-POPPET VALVE
29	44872	2	WASHER-26X35X1			1	PLASTIC VENT
30	51448	1	PLATE, BYPASS	114	70110	1	FITTING-O RING ASSEMBLY
34	50990	1	FILTER			1	O-RING
35	50270	1	ARM-BYPASS			1	PLASTIC HOSE FITTING
36	44870	1	RING-RETAINING	134	44142	1	CASTLE NUT, 5/16-24
37	23710	1	ARM-BRAKE	135	44101	1	COTTER PIN
38	44891	2	PIN-BRAKE	137	50653	1	SCREW, 10-32 X 1/2
39	50316	1	BOLT-5/16-24 X 2	139	50431	1	COMPRESSION SPRING
40	50317	1	NUT 5/16-24 NYLON	140	50269	1	NUT, HEX 5/16-24
41	70135	1	BRAKE ROTOR/STATOR KIT	141	50928	1	SEALANT
		4	STATOR-BRAKE	150	70312	1	SEAL KIT
		2	ROTOR-BRAKE				
43	44130	2	WASHER-7/16 X 7/8 X .060				