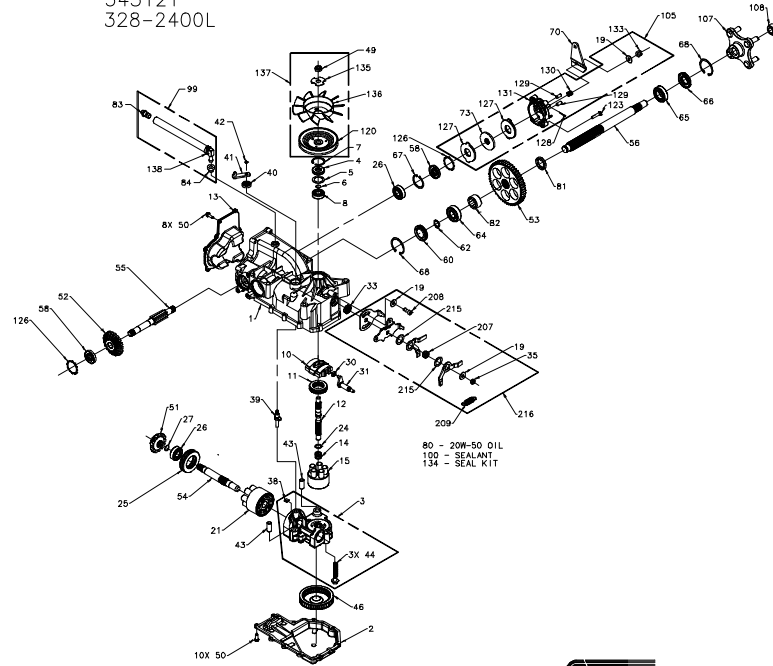


343121
328-2400L



Hydro-Gear
P.1 of 2. 70672L-P2

343121
328-2400L

ITEM NO.	HYDRO-GEAR PART NO.	QTY.	DESCRIPTION	ITEM NO.	HYDRO-GEAR PART NO.	QTY.	DESCRIPTION	ITEM NO.	HYDRO-GEAR PART NO.	QTY.	DESCRIPTION		
1	70627	1	KIT, HOUSING-MAIN	40	45074	1	LIP SEAL	129	44127	2	BRAKE ACTUATING PIN		
		1	HOUSING, MAIN	41	50270	1	BYPASS ARM	130	50919	1	COMPRESSION SPRING BRAKE ANTI DRAG		
		2	CABLE BEARING	42	44870	1	RETAINING RING	131	70560	1	KIT, YOKE-BRAKE		
		1	LIP SEAL	43	50002	1	PIB			1	SO HD BOLT 5/16-24 RIBBED		
		1	TRUNNION BUSHING	44	50016	1	SCREW			1	YOKE, BRAKE		
2	50890RM	1	LOWER HOUSING	46	50990	1	FLUTER	133	44142	1	SLOTTED HEX NUT 5/16-24		
3	70667	1	KIT, CENTER SECTION	49	51244	1	HEX LOCK NUT 1/2-20 (NYLON INSERT)	134	70553	1	KIT, SEAL		
		1	CENTER SECTION	50	50752	1	SCREW, 1/4-20 X .75 LONG			1	SEAL, LIP 15 X 35 X 7		
		1	BUSHING .67 X 1.03 X .75	51	50744	1	14T BEVEL GEAR			1	RING, RETAINING		
		1	PLATE, BYPASS	52	50745	1	19T BEVEL GEAR			1	SEAL, LIP 12 X 25 X 7		
		3	SCREW 3/8-24 X 2.5	53	50746	1	53T SHUR GEAR			1	SEAL, LIP 10 X 25 X 7		
		2	CHECK PLUG ASSEMBLY, .027	54	50757	1	MOTOR SHAFT			1	RING, RETAINING		
4	9008000-0128	1	LIP SEAL	55	51335	1	BRAKE SHAFT			2	SEAL, LIP 17 X 40 X 7		
5	2003018	1	SPACER	56	50748	1	SHAFT, AXLE			1	SEAL, LIP 1.85 X .32		
6	2003016	1	WIRE RETAINING RING	58	51161	1	SEAL, LIP 17 X 40 X 7			1	RING, RETAINING		
7	2003052	1	RETAINING RING	60	50995	1	SEAL PLUG - SIDE			1	RING, RETAINING .440 EXTERNAL		
8	2003043	1	BALL BEARING	62	50759	1	RETAINING RING - AXLE			1	SEAL, LIP .88 X 1.85 X .276		
10	2003087	1	VARIABLE SMASHPLATE	64	50743	1	BEARING-BALL 20X47X14(6204)			1	RING, RETAINING		
11	50551	1	THRUST BEARING 30 X 52 X 13	65	50740	1	BEARING-BALL 23X47X12(6005)			2	RING, RETAINING		
12	50005	1	INPUT SHAFT	66	50751	1	SEAL			2	RING, RETAINING		
13	50891RM	1	COVER-BACK	67	50329	1	RETAINING RING			2	SEAL, LIP 17 X 40 X 5		
14	2003014	1	SPRING, BUCK	68	50760	1	RETAINING RING-AXLE	135	51523	1	WASHER, OD SLOTTED, .53 X 1.63 X .06		
15	70331	1	10cc CYLINDER BLOCK ASS'Y	70	51481	1	ARM, BRAKE	136	51362	1	FAN, 6", 10 BLADE		
		1	10cc OIL INER BLOCK	73	44855	1	ROTOR, BRAKE	137	70671	1	KIT, FAN-PULLEY		
		5	10cc PISTON SPRING	80		79oz	20W-50 OIL			1	WASHER, OD SLOTTED, .53 X 1.63 X .06		
		5	PISTON SEAT WASHER	81	50942-2	1	AXLE BUSHING			1	FAN, 6", 10 BLADE		
		3	10cc PISTON	82	50942-1	1	ARM, BRAKE			1	HEX LOCK NUT 1/2-20 (NYLON INSERT)		
		3	WASHER	83	70109	1	CAP WENT ASSEMBLY			1	PIILLET, 4.5		
19	44130	1	21cc CYLINDER BLOCK ASS'Y			1	CAP-POCKET VALVE			138	70588	1	HOSE/FITTING ASSEMBLY
21	70082	1	21cc CYLINDER BLOCK	84	51481	1	VENTI. BUSHING					1	NETAL FITTING
		7	21cc PISTON SPRING	99	70592	1	KIT, BREATHER					1	PINCH CLAMP SINGLE EAR
		7	PISTON SEAT WASHER			1	CAP-VENT ASSEMBLY			207	51396	1	1/2" HOSE FITTING, 1.0" LONG
		7	21cc PISTON			1	BUSHING-VENT			208	51400	1	SCREW, RTN
24	2003017	1	WASHER, BUCK THRUST			1	HOSE/FITTING ASSEMBLY			209	51399	1	SPACER, RTN
25	50552	1	THRUST BEARING 42 X 68 X 16	100	50928	1	SEALANT			209	51399	1	SPRING, EXTENSION
26	50315	1	BALL BEARING	105	70561	1	KIT, BRAKE			215	51408	2	WASHER, NYLON
27	2000022	1	WIRE RETAINING RING			1	KIT, BRAKE			216	70609	1	RTN, KIT
30	2000015	1	SLOT GUIDE			1	WASHER					2	WASHER
31	50807	1	TRUNNION ARM			1	ROTOR, BRAKE					1	HEX LOCK NUT, 5/16-24 UNF (NYLON INSERT)
33	9008000-0126	1	LIP SEAL			2	STATOR, BRAKE FRICTION					1	SPACER, RTN
35	50108	1	HEX LOCK NUT, 5/16-24 UNF (NYLON INSERT)			1	COTTER PIN 3/32 X 3/4					1	SCREW, 5/16-24 X .75 (PATCH)
38	70660	1	KIT, BYPASS PLATE			1	BRAKE ACTUATING PIN					1	SPRING, EXTENSION
39	2003595	1	BYPASS ACTUATOR			1	COMPRESSION SPRING ANTI DRAG					2	WASHER, NYLON
				107	70314	1	KIT, YOKE-BRAKE					1	CONTROL ARM
						1	LUC BRG					1	ARM, RTN SCISSOR, OUTER
						1	KIT ASSEMBLY					1	ARM, RTN SCISSOR, INNER
						1	NYLON BRG					1	ARM, RETURN
				108	50885	1	NUT, HEX 3/4-16						
				120	51242	1	PULLEY, 4.5						
				123	51341	1	SCREW, 1/4-28 X 1.25 W/PATCH						
				126	51316	1	RING, RETAINING						
				127	51340	1	STATOR, BRAKE FRICTION						
				128	44101	1	COTTER PIN 3/32 X 3/4						

Hydro-Gear
P.2 of 2. 70672L-P2