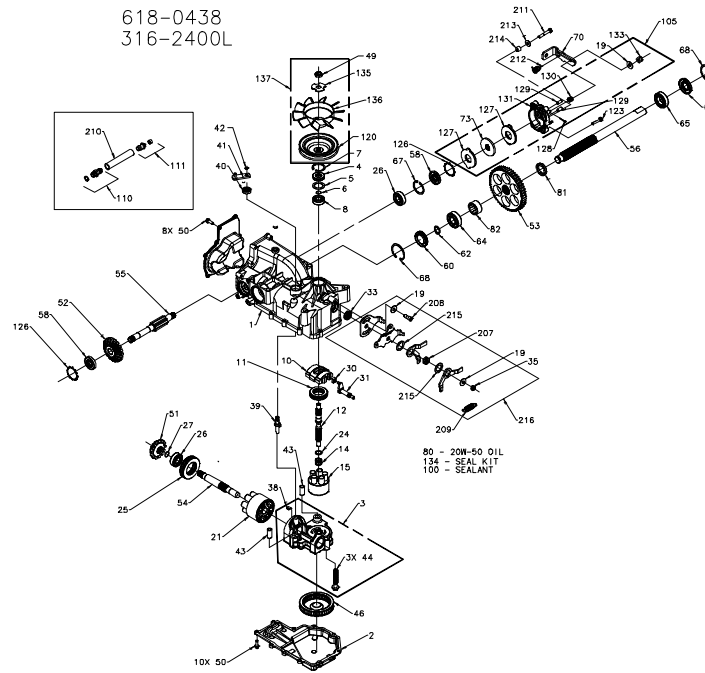


618-0438
316-2400L



Hydro-Gear
P.1 of 2 70641L-P3

618-0438
316-2400L

ITEM NO.	HYDRO-GEAR PART NO.	QTY.	DESCRIPTION	ITEM NO.	HYDRO-GEAR PART NO.	QTY.	DESCRIPTION	ITEM NO.	HYDRO-GEAR PART NO.	QTY.	DESCRIPTION
1	70627	1	KIT, HOUSING-MAIN	40	45074	1	LIP SEAL	129	44127	2	BRAKE ACTUATING PIN
		1	HOUSING, MAIN	41	50270	1	BYPASS ARM	130	50919	1	COMPRESSION SPRING BRAKE ANTI DRAG
		2	CHROME BEARING	42	44870	1	RETAINING RING	131	70560	1	KIT, YOKE-BRAKE
		1	LIP SEAL	43	50022	1	PIVOT			1	SO HD BOLT 5/16-24 RIBBED
		1	TRUNNION BUSHING	44	50016	1	SCREW			1	YOKE, BRAKE
2	5089ORM	1	LOWER HOUSING	46	50990	1	FILTER	133	44142	1	SLOTTED HEX NUT 5/16-24
3	70677	1	KIT, CENTER SECTION	49	51244	1	HEX LOCK NUT 1/2-20 (NYLON INSERT)	134	70553	1	KIT, SEAL
		1	CENTER SECTION	50	50752	1	SCREW 1/4-20 X .75 LONG			1	SEAL, LIP 15 X 35 X 7
		1	BUSHING .87 X 1.03 X .75	51	50744	1	14T BEVEL GEAR			1	RING, RETAINING
		1	PLATE, BYPASS	52	50745	1	19T BEVEL GEAR			1	SEAL, LIP 12 X 23 X 7
		1	SCREW 3/8-24 X 2.5	53	50746	1	53T SPUR GEAR			1	SEAL, LIP 10 X 25 X 7
		1	CHECK PLUG ASSEMBLY .027	54	50757	1	VECTOR SHAFT			1	RING, RETAINING
4	9008000-0128	1	LIP SEAL	55	51335	1	BRAKE SHAFT			1	SEAL, LIP 17 X 40 X 7
		1	SPACER	56	51388	1	SHAFT, AXLE 25mm X 14 (D.O)			1	SEAL, LIP 1.85 X .32
6	2003016	1	WIRE RETAINING RING	58	51161	2	SEAL, LIP 17 X 40 X 7			1	RING, RETAINING
7	2003052	1	RETAINING RING	60	50985	1	SEAL PLUG - SIOE			1	RING, RETAINING .440 EXTERNAL
8	2003043	1	BALL BEARING	62	50759	1	RETAINING RING - AXLE			1	SEAL, LIP .88 X 1.85 X .278
10	2003087	1	VARIABLE SMSPLATE	64	50743	1	BEARING-BALL 204X714(6204)			1	RING, RETAINING
11	50551	1	THRUST BEARING 30 X 52 X 13	65	50740	1	BEARING-BALL 254X712(6005)			1	RING, RETAINING
12	50005	1	INPUT SHAFT	66	50751	1	SEAL			1	RING, RETAINING
13	50891RM	1	COVER-BACK	67	50329	1	RETAINING RING			1	SEAL, LIP 17 X 40 X 5
14	2003014	1	SPRING, BUCK	68	50760	2	RETAINING RING-AXLE	135	51523	1	WASHER, OD SLOTTED, .53 X 1.63 X .06
15	70331	1	10cc CYLINDER BLOCK ASS'Y	70	51396	1	ARM, BRAKE	136	51364	1	FAN, 6", 10 BLADE
		5	10cc PISTON SPRING	73	44855	1	ROTOR, BRAKE	137	70600	1	KIT, FAN-PULLEY
		5	10cc PISTON SEAT WASHER	80		79oz	20W-50 OIL			1	WASHER, OD SLOTTED, .53 X 1.63 X .06
		5	10cc PISTON	81	50942-2	1	AXLE BUSHING			1	FAN, 6", 10 BLADE
		3	WASHER	82	50942-1	1	AXLE BUSHING			1	HEX LOCK NUT 1/2-20 (NYLON INSERT)
19	44130	1	WASHER	100	50928	1	SEALANT	207	51396	1	PULLEY, 4.5
21	70082	1	21cc CYLINDER BLOCK ASS'Y	105	70561	1	KIT, BRAKE	208	51400	1	SPACER, RTN
		1	21cc CYLINDER BLOCK					209	51399	1	SCREW, 5/16-24 X .75 (PATCH)
		7	21cc PISTON SPRING					210	51401	1	SPRING, EXTENSION
		7	PISTON SEAT WASHER					211	51402	1	HOSE
		7	21cc PISTON					212	50984	1	SCREW, HEX HEAD 1/4-28 X 1.75 W/PATCH
24	2003017	1	WASHER, BUCK THRUST					213	51403	1	SCREW, 5/16-24 X .75 (PATCH)
25	50552	1	THRUST BEARING 42 X 68 X 16					214	23770	1	SPRING, BRAKE ARM BIAS
26	50315	1	BALL BEARING					215	51408	1	WASHER, FLAT 29 X .70 X .063
27	2000022	1	WIRE RETAINING RING					216	21770	1	BRAKE ASS'Y SPACER
30	2000015	1	SLOT GUIDE					217	51408	1	WASHER, NYLON
31	50807	1	TRUNNION ARM	110	70110	1	FITTING O-RING ASSEMBLY	218	70609	1	RTN, KIT
33	9008000-0126	1	LIP SEAL							1	WASHER
34	51394	1	CONTROL ARM	111	70109	1	O-RING			1	HEX LOCK NUT, 5/16-24 UNF (NYLON INSERT)
35	50108	1	HEX LOCK NUT, 5/16-24 UNF (NYLON INSERT)							1	SCREW, RTN
38	70680	1	KIT, BYPASS PLATE							1	SCREW, 5/16-24 X .75 (PATCH)
39	2003555	1	BYPASS ACTUATOR	120	51363	1	PLASTIC VENT			1	SPRING, EXTENSION
				123	51341	2	PULLEY, 4.5			1	WASHER, NYLON
				125	51341	2	SCREW 1/4-28 X 1.25 W/PATCH			1	CONTROL ARM
				126	51316	2	ARM, RTN SCISSOR, OUTER			1	ARM, RTN SCISSOR, INNER
				127	51340	2	STATOR, BRAKE FRICTION			1	ARM, RETURN
				128	44101	1	COTTER PIN 3/32 X 3/4				

Hydro-Gear
P.2 of 2 70641L-P3