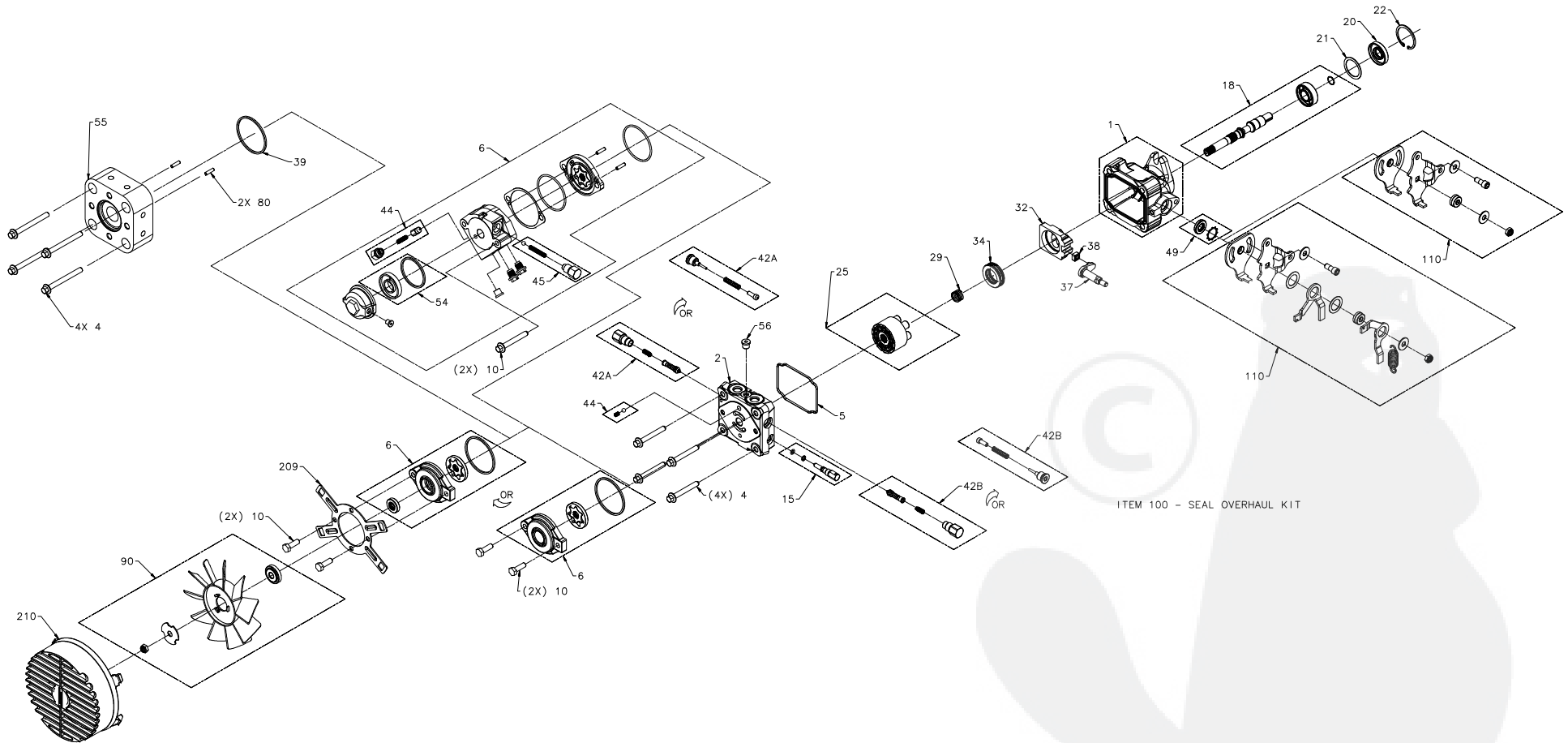


PC SERIES SERVICE SCHEMATIC



PC SERIES SERVICE SCHEMATIC

MODEL NUMBER:

P	C
1	2

 -

*	*	*	
3	4	5	6

 -

7	8	9	10

 -

11	12	13	14

INPUT SHAFT KITS

CHARACTER 3	ITEM #	COMPONENT #	DESCRIPTION	QTY
A OR M	18	71258	KIT, PUMP SHAFT (1/2" KEYED, STD CHG)	1
B		71259	KIT, PUMP SHAFT (1/2" KEYED, THRU CHG)	1
C OR N		71260	KIT, PUMP SHAFT (9T, STD CHG)	1

SHOCK VALVE KITS, *A* SIDE

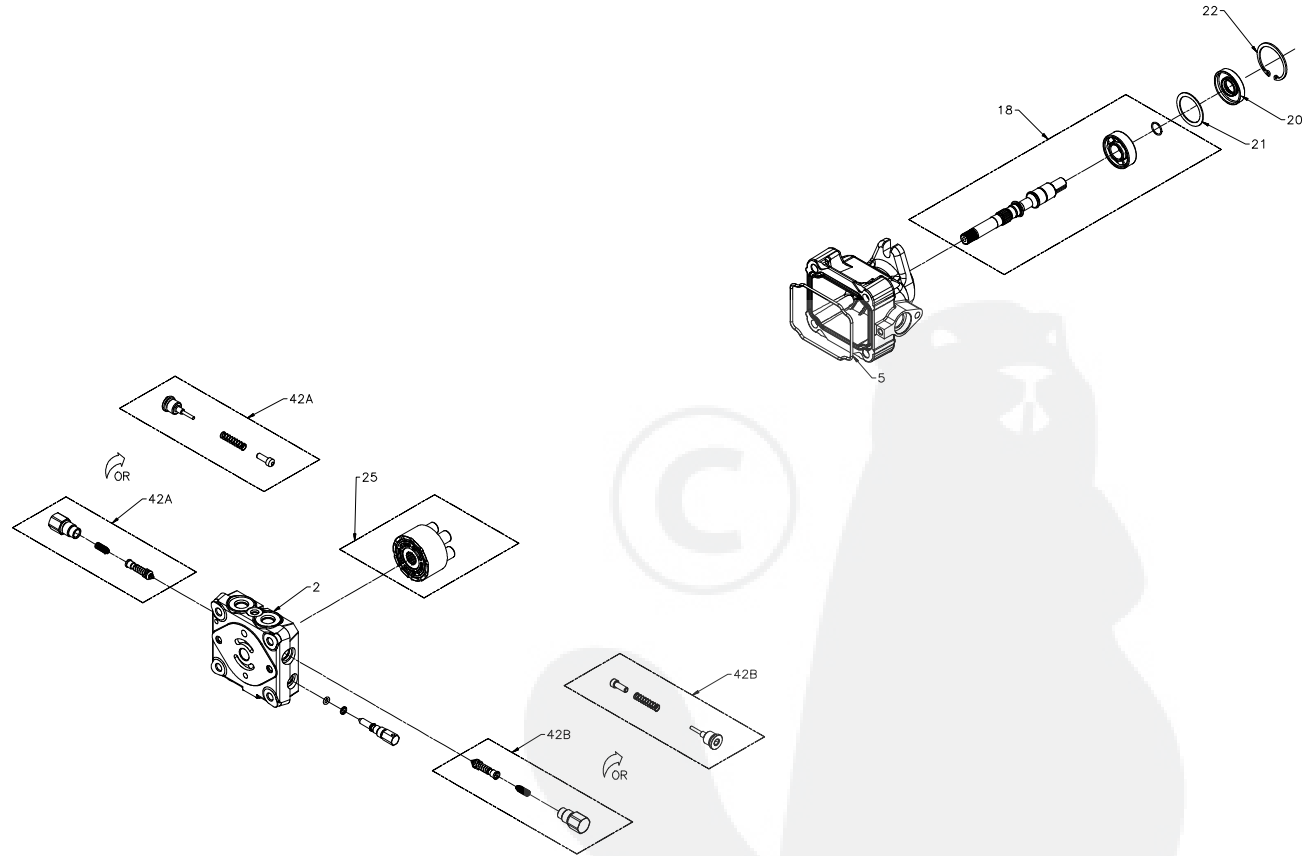
CHARACTER 5	ITEM #	COMPONENT #	DESCRIPTION	QTY
A	42A	70741	KIT, SHOCK VALVE (200 BAR, BLANK ORIFICE)	1
B		70742	KIT, SHOCK VALVE (200 BAR, .024 ORIFICE)	1
C		70743	KIT, SHOCK VALVE (200 BAR, .031 ORIFICE)	1
D		70744	KIT, SHOCK VALVE (200 BAR, .044 ORIFICE)	1
E		70836	KIT, SHOCK VALVE (160 BAR, BLANK ORIFICE)	1
F		70837	KIT, SHOCK VALVE (160 BAR, .024 ORIFICE)	1
G		70838	KIT, SHOCK VALVE (160 BAR, .031 ORIFICE)	1
H		70839	KIT, SHOCK VALVE (160 BAR, .044 ORIFICE)	1
J		70840	KIT, SHOCK VALVE (120 BAR, BLANK ORIFICE)	1
K		70841	KIT, SHOCK VALVE (120 BAR, .024 ORIFICE)	1
L		70842	KIT, SHOCK VALVE (120 BAR, .031 ORIFICE)	1
M		70843	KIT, SHOCK VALVE (120 BAR, .044 ORIFICE)	1
N		2510050	KIT, CHECK VALVE (BLANK)	1
P		2510062	KIT, CHECK VALVE (.024 ORIFICE)	1
Q		2510027	KIT, CHECK VALVE (.031 ORIFICE)	1
R		2510034	KIT, CHECK VALVE (.044 ORIFICE)	1

SHOCK VALVE KITS, *B* SIDE

CHARACTER 6	ITEM #	COMPONENT #	DESCRIPTION	QTY
A	42B	70741	KIT, SHOCK VALVE (200 BAR, BLANK ORIFICE)	1
B		70742	KIT, SHOCK VALVE (200 BAR, .024 ORIFICE)	1
C		70743	KIT, SHOCK VALVE (200 BAR, .031 ORIFICE)	1
D		70744	KIT, SHOCK VALVE (200 BAR, .044 ORIFICE)	1
E		70836	KIT, SHOCK VALVE (160 BAR, BLANK ORIFICE)	1
F		70837	KIT, SHOCK VALVE (160 BAR, .024 ORIFICE)	1
G		70838	KIT, SHOCK VALVE (160 BAR, .031 ORIFICE)	1
H		70839	KIT, SHOCK VALVE (160 BAR, .044 ORIFICE)	1
J		70840	KIT, SHOCK VALVE (120 BAR, BLANK ORIFICE)	1
K		70841	KIT, SHOCK VALVE (120 BAR, .024 ORIFICE)	1
L		70842	KIT, SHOCK VALVE (120 BAR, .031 ORIFICE)	1
M		70843	KIT, SHOCK VALVE (120 BAR, .044 ORIFICE)	1
N		2510050	KIT, CHECK VALVE (BLANK)	1
P		2510062	KIT, CHECK VALVE (.024 ORIFICE)	1
Q		2510027	KIT, CHECK VALVE (.031 ORIFICE)	1
R		2510034	KIT, CHECK VALVE (.044 ORIFICE)	1

GENERIC PARTS LISTING (ALL MODELS)

ITEM #	COMPONENT #	DESCRIPTION	QTY
5	52031	HOUSING O-RING	1
20	51161	LIP SEAL 17 X 40 X 7 PTC	1
21	50951	SPACER	1
22	50329	RETAINING RING	1
25	71169	CYLINDER BLOCK KIT	1



PC SERIES SERVICE SCHEMATIC

MODEL NUMBER:

P	C	-				
1	2	-	3	4	5	6

 -

*	*	*		
7	8	9	10	

 -

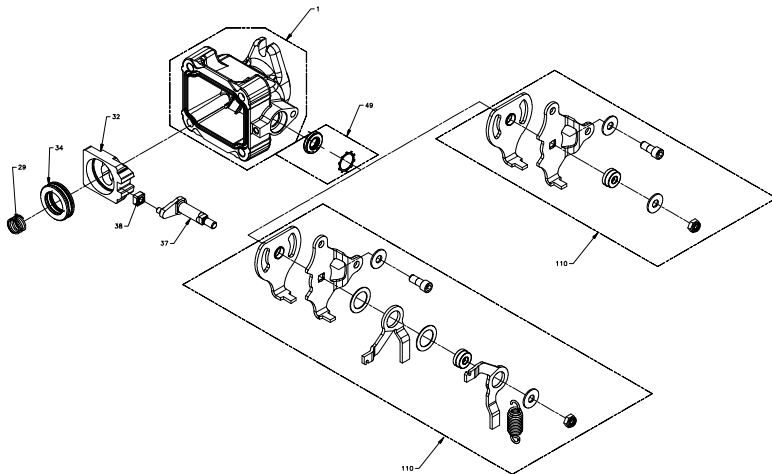
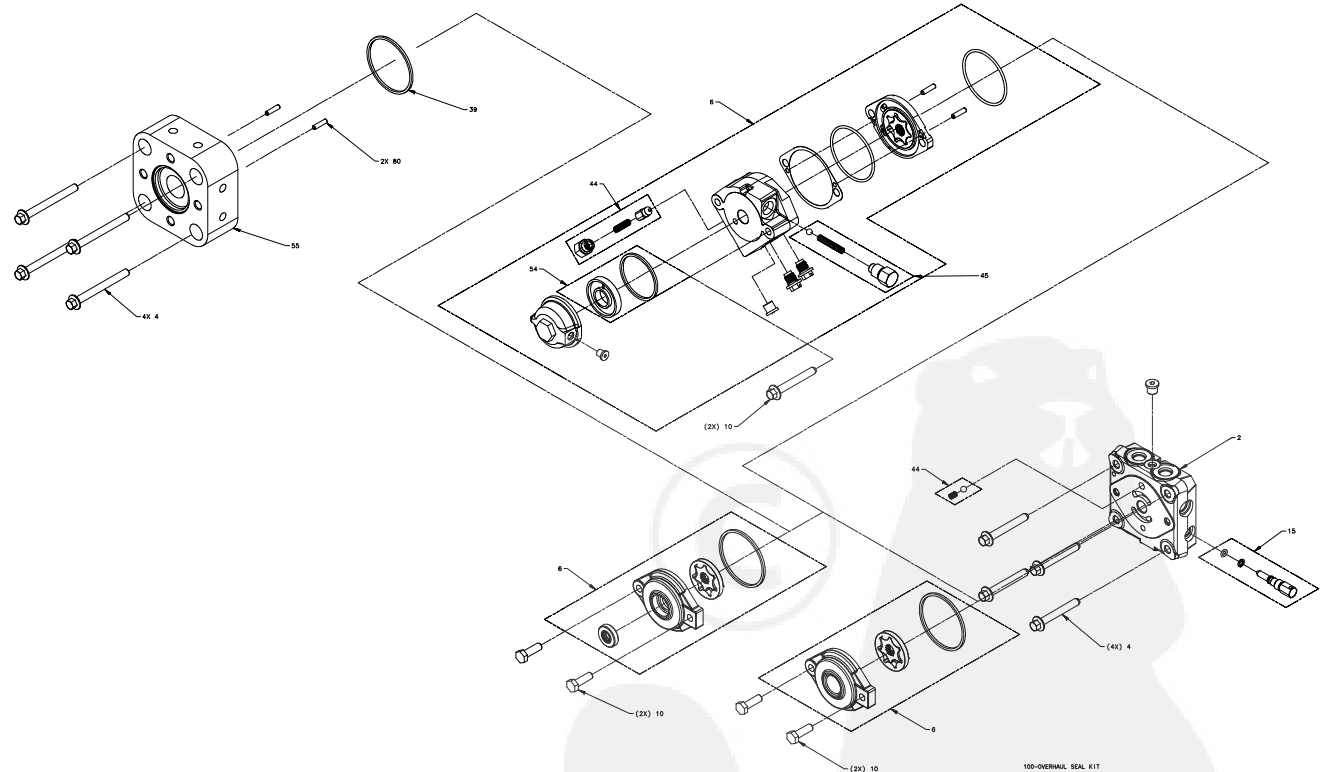
11	12	13	14	

END CAP, AND INPUT SHAFT KITS				
CHARACTER #	ITEM #	COMPONENT #	DESCRIPTION	QTY
M	2	71257	KIT, ENDCAP	1
	6	71261	KIT, CHARGE PUMP (STD CHG)	1
	10	9007200-3116	HHCS 5/16-18 X 1	2
	44	70403	CHARGE RELIEF VALVE KIT (1/4" PLASTIC BALL & 50654 SPRING)	1
N	2	71257	KIT, ENDCAP	1
	6	70622	KIT, CHARGE PUMP (STD CHG), THRU	1
	10	9007200-3116	HHCS 5/16-18 X 1	2
	44	70403	CHARGE RELIEF VALVE KIT (1/4" PLASTIC BALL & 50654 SPRING)	1
H	2	71378	KIT, ENDCAP	1
	6	70577	KIT, CHARGE PUMP (AUX CHG)	1
	10	50969	HFCHS M8X1.25X60	2
	44	2510081	KIT, CHARGE RELIEF	1
A	2	71257	KIT, ENDCAP	1
	6	71247	KIT, CHARGE PUMP	1
	10	9007200-3116	HHCS 5/16-18 X 1	2
	43	52255	ASSEMBLY, POPPET/SPRING	1
E	2	71257	KIT, ENDCAP	1
	6	71246	KIT, CHARGE PUMP	1
	10	9007200-3116	HHCS 5/16-18 X 1	2
	44	70402	KIT, CHARGE RELIEF	1
S	55	52422	PLATE, ADAPTER (GEAR AA)	1
	2	52407	END CAP (PC +GP OR PC + PC)	1
	4	52269	SCREW, HEX FLANGE M8 X 1.25 X 80	4
	39	51016	O-RING	1
80	50408	PIN, STRAIGHT HEADLESS	2	

HOUSING & RETURN KITS				
CHARACTER #	ITEM #	COMPONENT #	DESCRIPTION	QTY
A, B	1	71256	KIT, HOUSING	1
	37	50807	ARM, TRUNNION, TAPERED SQUARE	1
	110	70794	KIT, RTN	1
C, D	1	71256	KIT, HOUSING	1
	37	50807	ARM, TRUNNION, TAPERED SQUARE	1
	110	70846	KIT, CW RTN SCISSOR	1
E, F	1	71256	KIT, HOUSING	1
	37	50807	ARM, TRUNNION, TAPERED SQUARE	1
	110	70847	KIT, CW RTN SCISSOR	1
V, W	1	71256	KIT, HOUSING	1
	37	50807	ARM, TRUNNION, TAPERED SQUARE	1
	1	71256	KIT, HOUSING	1
Y	1	71256	KIT, HOUSING	1
	37	2003005	ARM, TRUNNION, DOUBLE D	1
	1	71256	KIT, HOUSING	1
1	1	71256	KIT, HOUSING	1
	37	50807	ARM, TRUNNION, TAPERED SQUARE	1
	1	71256	KIT, HOUSING	1
2, 3	37	50807	ARM, TRUNNION, TAPERED SQUARE	1
	110	71255	KIT, RTN	1

BYPASS VALVE KIT				
CHARACTER #	ITEM #	COMPONENT #	DESCRIPTION	QTY
1	15	71248	KIT, BYPASS VALVE (BLANK)	1

GENERIC PARTS LISTING (ALL MODELS)			
ITEM #	COMPONENT #	DESCRIPTION	QTY
4	50969	HEX FLANGE BOLT M8-1.25 x 60mm LG	4
29	52054	BLOCK SPRING	1
32	51996	SWASHPLATE	1
34	52002	BALL THRUST BEARING	1
38	2000015	SLOT GUIDE	1
45	2510082	KIT, AUX RELIEF VALVE	1
49	2513043	TRUNNION SEAL / RETAINER KIT	1
54	2510090	AUXILIARY FILTER KIT	1
56	9005110-4400	PLUS, 7/16-20 (METAL)	1
100	70525	OVERHAUL SEAL KIT	1



PC SERIES SERVICE SCHEMATIC

MODEL NUMBER:

P	C
---	---

 -

--	--	--	--

 -

			*
--	--	--	---

 -

--	--	--	--

 CHARACTER #:

1	2
---	---

 -

3	4	5	6
---	---	---	---

 -

7	8	9	10
---	---	---	----

 -

11	12	13	14
----	----	----	----

FAN KITS

CHARACTER 10	ITEM #	COMPONENT #	DESCRIPTION	QTY
X		N/A	NONE	0
A	90	71172	KIT, HUB 6" FAN CCW	1
B, D	90	71172	KIT, HUB 6" FAN CCW	1
	209	52016	BRACKET, SHROUD	1
C, E	90	71172	KIT, HUB 6" FAN CCW	1
	209	52016	BRACKET, SHROUD	1
	210	52059	SHROUD	1
	90	71172	KIT, HUB 6" FAN CCW	1
Z	209	52423	BRACKET, SHROUD	1
	210	52059	SHROUD	1

