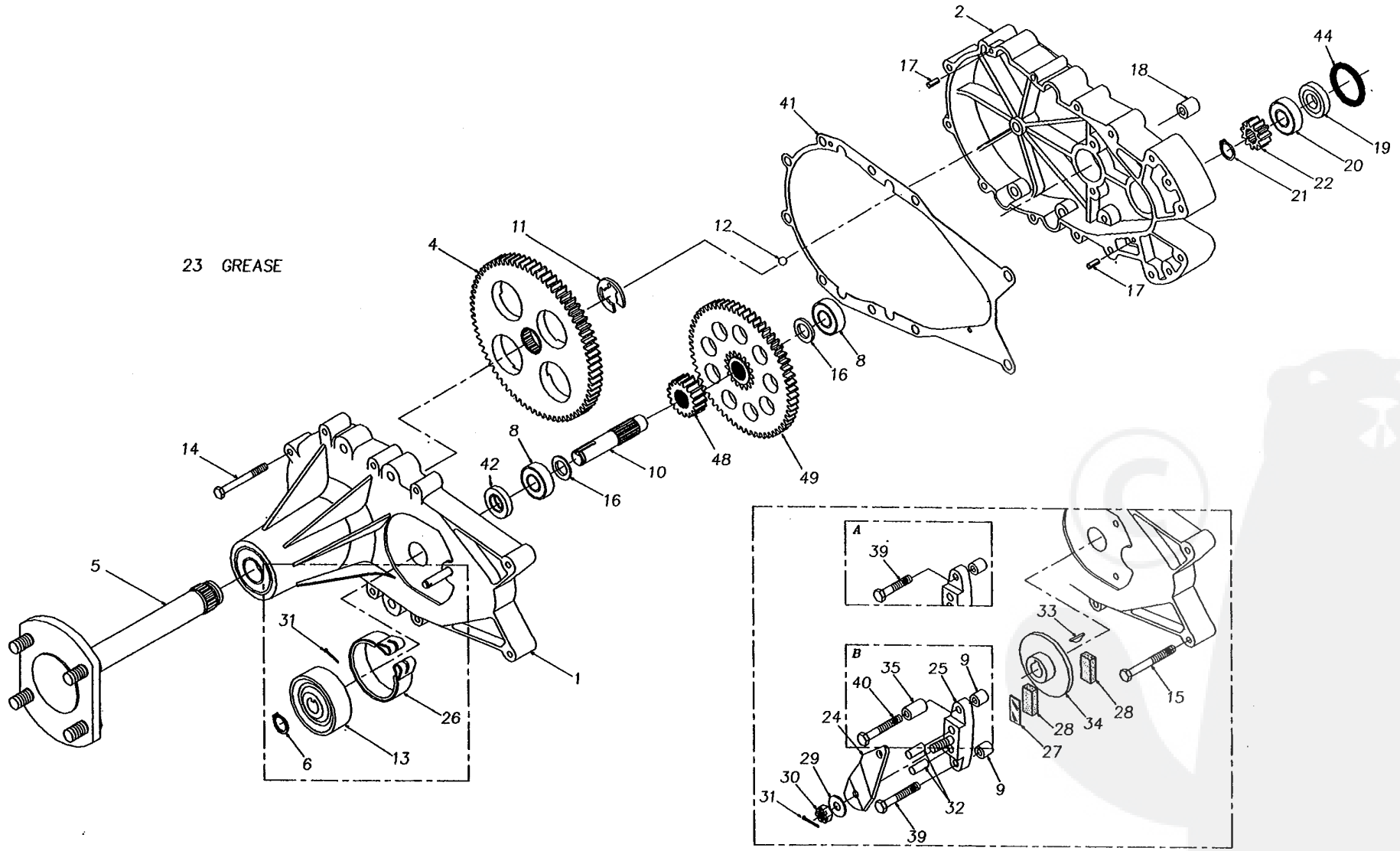




210-2500



MODEL #	AXLE CARRIER ASS'Y	HYDRO MOUNT HSG	AXLE #	TYPE OF BRAKE	BRAKE ARM	BRAKE MOUNTING HARDWARE	
							
210B2500	62768	44350	44564	DISC	44094		X
5625	62677	44350	62681	NONE			
C46087	62677	44533	62681	BAND			
1011000	62677	44350	62681	BAND			
481223	62768	50237	62681	DISC	44094	X	
481224	62768	50238	62681	DISC	44613	X	
D-3519-01	62768	44533	62681	DISC	44613		X
D-3519-02	62768	44533	62681	DISC	44094		X
D-3612	62768	44533	62681	DISC	44094	X	
D-3613	62768	44533	62681	DISC	44613	X	
188057	62768	44350	62681	DISC	44094	X	
188058	62768	44350	62681	DISC	44613	X	
163611	62768	45052	44709	NONE			
04-600	62677	50586	62681	BAND			

ITEM #	PART #	DESCRIPTION
1	62677	AXLE CARRIER ASSEMBLY
	62768	
2	44350	HYDRO MOUNT HOUSING
	44533	
	45052	
	50586	
	50237	
	50238	
4	44358	72 TOOTH FINAL DRIVE GEAR
5	44564	AXLE SHAFT
	44709	
	62681	
6	44145	RETAINING RING
8	44147	BALL BEARING .62 X 1.38 X .44
9	23770	BRAKE SPACER
10	44351	BRAKE SHAFT
11	44359	E-RING
12	9001214-3700	3/8 DIA. BALL
13	44540	BRAKE DRUM
14	44366	BOLT, 1/4-20 X 2-1/2
15	44367	BOLT, 5/16 X 2
16	44371	WASHER
17	44269	SPRING PIN
18	23749	MOUNTING SPACER
19	44355	BEARING SPACER

ITEM #	PART #	DESCRIPTION
20	44232	BALL BEARING 15MM X 35MM X 11MM
21	44354	RETAINING RING
22	44353	11 TOOTH INPUT GEAR
23	50416	GREASE (10 OZ. TUBE)
24	44094	BRAKE ARM
	44613	
25	62589	BRAKE YOKE ASSEMBLY
26	44539	BRAKE BAND
27	44134	PUCK PLATE
28	44132	BREAK PUCK
29	44130	WASHER
30	44142	SLOTTED NUT
31	44101	COTTER PIN
32	44127	BREAK ACTUATING PIN
33	44143	HI-PRO KEY, 3/16 X 5/8
34	44090	BRAKE DISC
35	23711	SPACER
39	44276	BOLT, 1/4-20 X 1-1/2
40	44612	BOLT, 1/4-20 X 2-1/2
41	50223	HOUSING GASKET
42	50263	OIL SEAL, 1.25 X .625
44	50267	O-RING
48	50419	17 TOOTH GEAR
49	50420	60 TOOTH GEAR