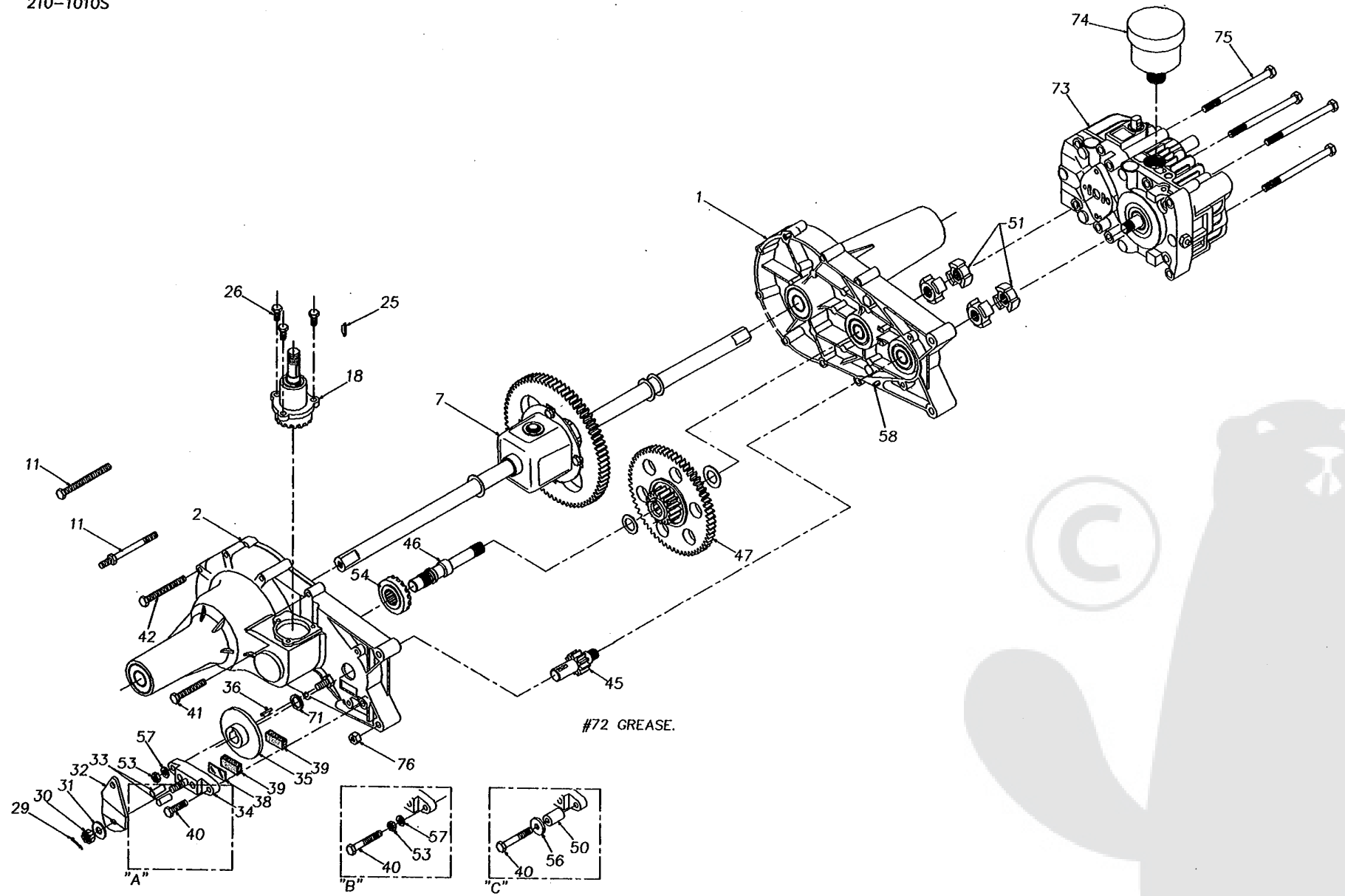
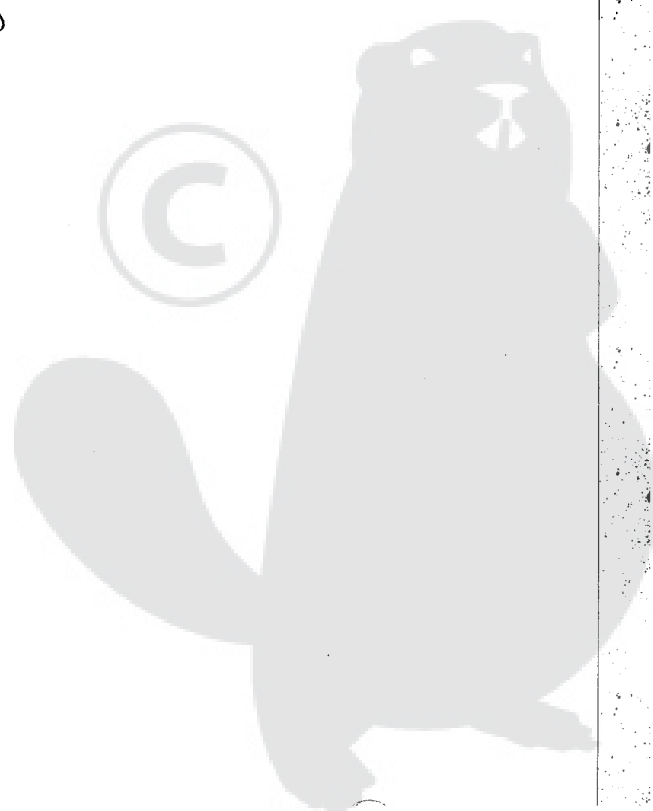

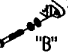



210-1010S



#72 GREASE.



HYDRO-GEAR MODEL #	OEM MODEL #	LH HSG ASSY	RH HSG ASSY	DIFF/ AXLE ASSY	INPUT ASSY	RED. GEAR ASSY	BRAKE ARM	STUD BOLT	THRU BOLT	BRAKE MOUNTING HARDWARE			BDU PART #	AXLE #
														
211-1010S	211-1010S	62587	62586	62634	62636	62760	44094				X			
212-1010S	618-3076	62587	62586	62581	62579	62760	44094					X	BDU-10S-114	210A1000
213-1010S	326788	62587	62586	62634	62579	62760	44094					X	BDU-10S-215	717-0348
214-1010S	136558	62587	62586	62634	62636	62760	44094				X		BDU-10S-116	309575
215-1010S	53056	62781	62780	70040	62636	62758	44613		44271			X	BDU-10S-114	121431X
216-1010S	848-0336	62587	62586	62701	62636	62760	44094					X	BDU-10S-120	16725
217-1010S	326769	62783	62586	62784	62579	62760	44094		44561		X		BDU-10S-114	717-0950
218-1010S	218-1010S	62587	62586	62634	62636	62760	44094				X		BDU-10S-116	321607
219-1010S	1709251	62587	62586	62773	62771	62760	44094					X	BDU-10S-121	6798
220-1010S	220-1010S	62587	62586	62634	62636	62760	44094				X		BDU-10S-114	1705770
											X		BDU-10S-122	C33726

ITEM #	PART #	DESCRIPTION
1	62587	HOUSING ASSEMBLY, LH
	62781	
	62783	
2	62586	HOUSING ASSEMBLY, RH
	62780	
7	62581	DIFFERENTIAL ASSEMBLY
	62634	
	62701	
	62773	
	62784	
	70040	
11	44271	SCREW, STUD 1/4-20 X 3-3/4
	44561	SCREW, HEX SELF TAP 1/4-20 X 3-1/2
18	62579	INPUT PINION HOUSING ASSEMBLY
	62636	
	62771	
25	44136	KEY, #4 HI-PRO 3/32 X 5/8 DIA.
	44572	KEY, HI-PRO 1/8 X 5/8 DIA.
26	44122	SCREW, HEX W/PATCH 1/4-20 X 3/4
29	44101	PIN, COTTER
30	44142	NUT, SLOTTED HEX
31	44130	WASHER, FLAT .343 X .88 X .062
32	23710	ARM, BRAKE ACTUATOR
	44094	
	44613	
33	44127	PIN, BRAKE ACTUATING

ITEM #	PART #	DESCRIPTION
34	62589	BRAKE YOKE ASSEMBLY
35	44090	DISC, BRAKE
36	44143	KEY, HI-PRO 3/16 X 5/8 DIA.
38	44134	PLATE, PUCK
39	44132	PUCK, BRAKE
40	44433	BOLT, HEX W/PATCH 1/4-20 X 1.00
41	44123	BOLT, HEX SELF TAP 1/4-20 X 2.00
42	44124	BOLT, HEX SELF TAP 1/4-20 X 3.00
45	44083	SHAFT, PINION W/11 TOOTH GEAR
46	44080	SHAFT, DRIVE
47	62758	REDUCTION GEAR ASSEMBLY
	62760	
50	23711	SPACER
51	44084	COUPLING
53	43178	NUT, HEX 1/4-20
54	44079	GEAR, 17T DRIVE PINION
56	44278	WASHER, 7/8 X .265 X .125
57	43177	WASHER, 1/4" SPRING LOCK
58	44269	PIN, ROLL 3/16 DIA. X 1/2 LG
71	44378	SEAL, GREASE
72	50416	GREASE (10 OZ. TUBE)
73	BDU10S	TRANSMISSION
74	2003081	RESERVOIR
75	44820	BOLT, 5/16-18 X 4-1/2
76	43083	HEX NUT 5/16-18