



# Hydro-Gear<sup>®</sup>

## Service Bulletin

**SB-51761**  
Revision P  
Sheet 1 of 2

**PRODUCTS AFFECTED:**

**IHT 0500, 0650, 0750, 0800**

**SUBJECT:**

**Differential Components Detail**

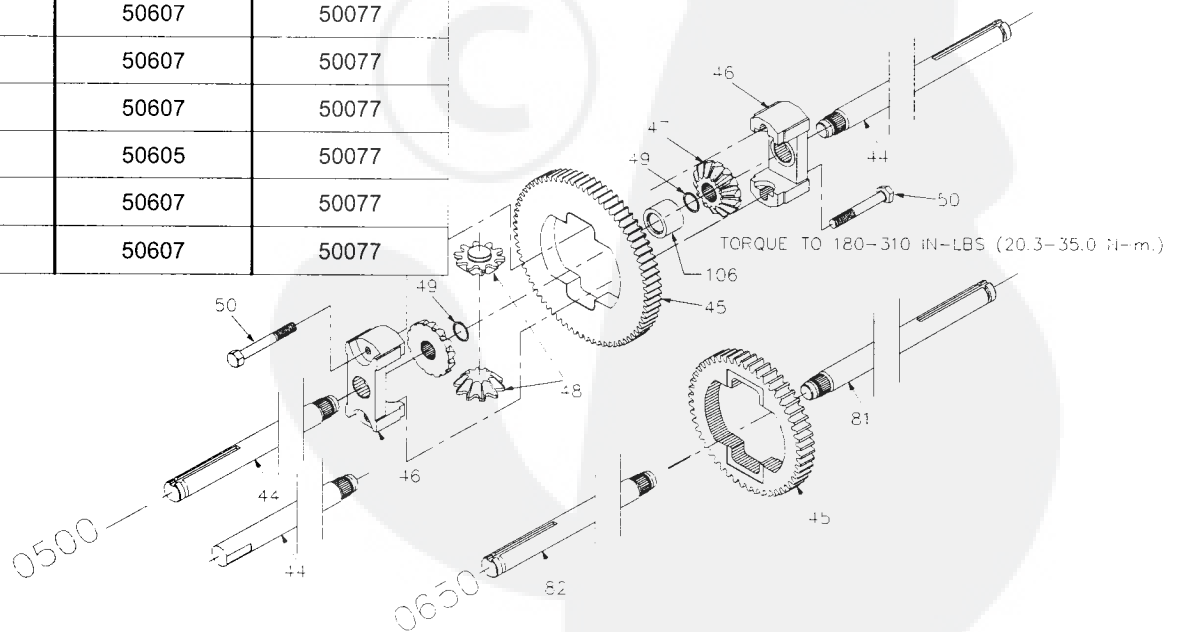
**DESCRIPTION:**

To improve repair cost alternatives, components will be made available for IHT differential assemblies beginning in Fall 2002. Refer to figures and tables below for part number order details.

*Important: Check serial number of unit to be repaired and refer to bulletin SB-50444.*

Model	Axle Shaft (LH)	Axle Shaft (RH)	Spur Gear
Number	(Item N <sup>o</sup> . 44)	(Item N <sup>o</sup> . 44)	(Item N <sup>o</sup> . 45)
1708579	44852	44852	50190
140607	44852	44852	50190
514728	44852	44852	50190
D48001	44852	44852	50190
100-6227	44852	44852	50190
718-0254	50072	50072	50190
	(Item N <sup>o</sup> . 82)	(Item N <sup>o</sup> . 81)	(Item N <sup>o</sup> . 45)
718-0255A	50606	50605	50077
150071	50608	50607	50077
1715765	50608	50607	50077
95-1662	50608	50607	50077
618-0262	50606	50605	50077
328-0650	50608	50607	50077
329-0650	50608	50607	50077

0500/0650 Common Parts		
Item N <sup>o</sup> .	Part N <sup>o</sup> .	Description
46	44854	Diff. Housing
47	44853	Gear, Bevel 14T
48	44858	Gear, Planet 10T
49	44871	Retaining Ring
50	44878	Bolt, Diff.
106	50168	Spacer, Diff.



For more technical assistance contact your Hydro-Gear Central Service Distributor.  
Part No. BLN-51761  
DATE: September 2002



# Hydro-Gear<sup>®</sup>

## Service Bulletin

**SB-51761**  
Revision P  
Sheet 2 of 2

**PRODUCTS AFFECTED:**

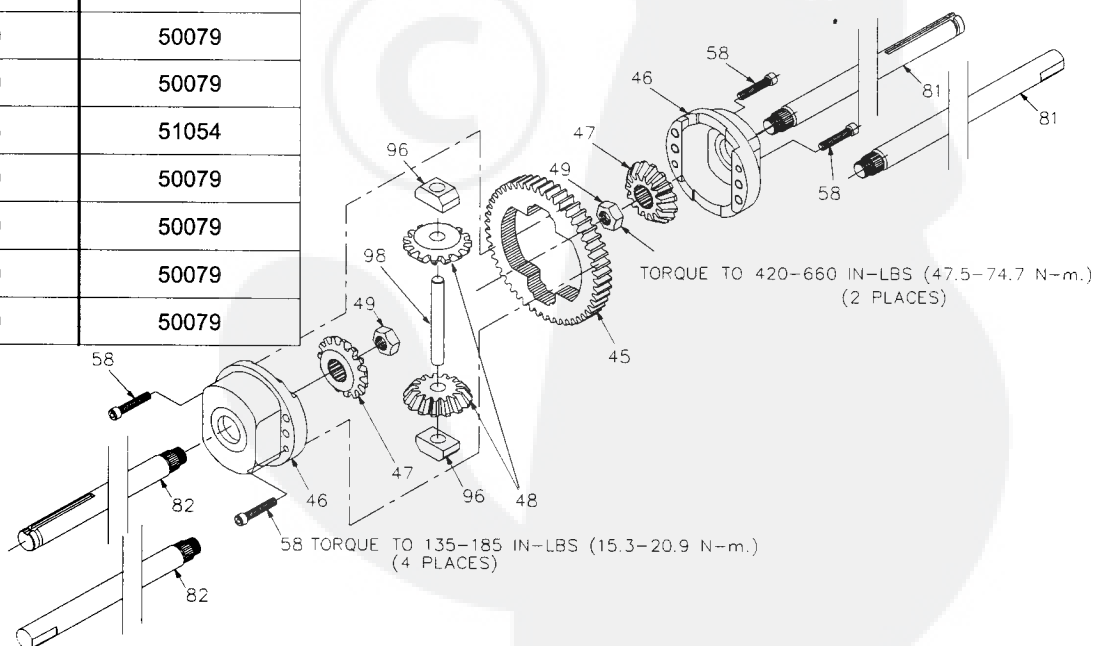
**IHT 0500, 0650, 0750, 0800**

**SUBJECT:**

**Differential Components Detail**

Model Number	Axle Shaft (LH) (Item N <sup>o</sup> . 82)	Axle Shaft (RH) (Item N <sup>o</sup> . 81)
036273	50080	50079
93-3878	50080	50079
8350	50080	50079
144436	50080	50079
K112211112	50080	50079
321-0750	50080	50079
322-0750	50080	50079
036287	50080	50079
036488	50080	50079
94-6946	50080	50079
036689	50080	50079
328-0750	51053	51054
1715070	50080	50079
1715764	50080	50079
314-0800	51053	51054
315-0800	50080	50079
319-0800	50080	50079
RCL120006	50080	50079
321-0800	50080	50079

0750/0800 Common Parts		
Item N <sup>o</sup> .	Part N <sup>o</sup> .	Description
45	50077	Gear, Diff. 50T
46	50143	Diff. Cover
47	44096	Gear, Bevel 15T
48	44097	Gear, Planet 15T
49	44133	Jam Nut
58	44876	Bolt 1/2-20 x 1.38
96	50144	Bearing, Block
98	50146	Shaft



For more technical assistance contact your Hydro-Gear Central Service Distributor.  
Part No. BLN-51761  
DATE: September 2002