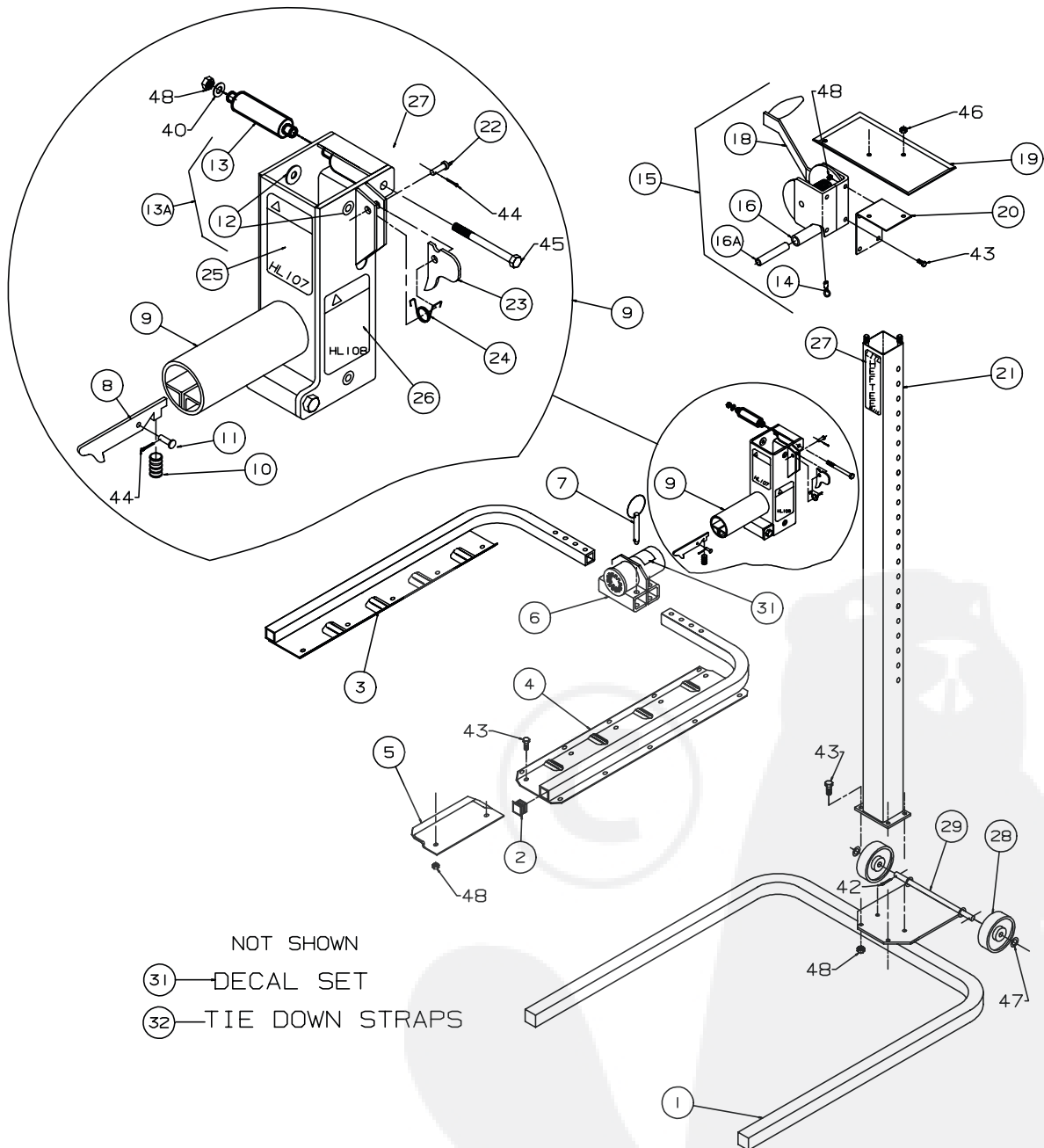


Lit'L HEFTEE MAIN ASSEMBLY



PARTS LIST FOR *Lit'L HEFTEE* MAIN ASSEMBLY

REF. NO.	PART #	NO. REQ.	DESCRIPTION
1	HL129	1	BASE LEG TUBE ASSEMBLY
2	HF265	4	PLASTIC END PLUG
3	HL147	1	LONG LEFT LIFT ARM ASSEMBLY
4	HL146	1	SHORT RIGHT LIFT ARM ASSEMBLY
5	HL165	1	EXTENSION ADD-ON WHEEL CUP
6	HL150	1	ARM MOUNT ASSEMBLY
7	HL113	2	1/4" X 2" BALL SPRING PIN WITH RING
8	HL139	1	SWIVEL LOCK LATCH
9	HL132	1	SLIDER TUBE ASY w/ ROLLERS & BUSHINGS, ETC. COMPLETE
10	HL155	1	SWIVEL LOCK COMPRESSION SPRING
11	MF658	1	1/4 X 3/4 DRILLED PIVOT PIN
12	HL121	4	1-1/8" OD X 1/16 THICK NYLN FLANGE BEARING (SLIDER BUTTON)
OR USE 12* BELOW FOR MODELS AFTER 5-1-95 ~ these are included in HL123			
12*	SH2693	2 + 2-HL121	3/4" OD NYLON BEARING W/ 1/8 THICK FLANGE (used after 5/1/95)
13	HL218	1	1-1/8" OD X 2-7/8" LONG STEEL ROLLER W/BEARINGS (changed 5/98)
13A	HL123	1	SET OF 2 ROLLERS WITH BEARINGS & NYLON SIDE SPACERS
14	HL120	1	WINCH CABLE 1/8 X 62" LONG
15	HL119	1	1 TON SAFETY LOCK WINCH WITH HANDLE AND CABLE ROLLER (NO CABLE)
16	HL163	1	5/8 OD X 3-5/8" STEEL PIPE CABLE ROLLER
16A	HL162	1	7/16 x 3-3/4" FRAME SPACER SLEEVE
18	HL116	1	WINCH HANDLE
19	HL137	1	TOOL TRAY
20	HL143	1	WINCH MOUNT ANGLE
21	HL126	1	VERTICAL MAST TUBE ASSEMBLY
22	MF659	1	5/16 X 1-1/4" DRILLED LOCK PIN
23	HL138	1	SAFETY LOCK DOG
24	HL153	1	SAFETY LOCK TORSION SPRING
25	HL107	1	SAFETY DECAL
26	HL108	1	SAFETY DECAL
27	HL114	2	LIT'L HEFTEE DECAL
28	HL154	2	4" DIA. WHEEL
29	HL159	1	WHEEL AXLE ROD - WELD ON NOW - WAS SEPARATE ON PRIOR MODELS
30	ST151	1	PATENT DECAL
31	HL168	1	DECAL SET
32	HF235	2	NYLON TIE DOWN STRAPS

Always order in pairs

HARDWARE

40 (early models)	O/L*	8	3/8" FLAT WASHER (used on early machines)
41	O/L*	10	3/8" NC FLANGE HEX LOCK NUT
42	O/L*	2	3/32 X 1-1/4" COTTER PIN
43	O/L*	10	3/8 NC X 1" HEX HEAD CAP SCREW
44	O/L*	2	1/16 X 3/4" COTTER PIN
45	O/L*	2	3/8 X 4-1/2" HEX HEAD CAP SCREW G5
46	O/L*	2	1/2" FLANGE HEX LOCK NUT
47	O/L*	2	1/2" SAE FLAT WASHERS
48	O/L*	6	3/8" FLANGE NON LOCK NUT
49	O/L*	2	3/8" TOP LOCK NUT

O/L* - OBTAIN LOCALLY

A/R** - AS REQUIRED