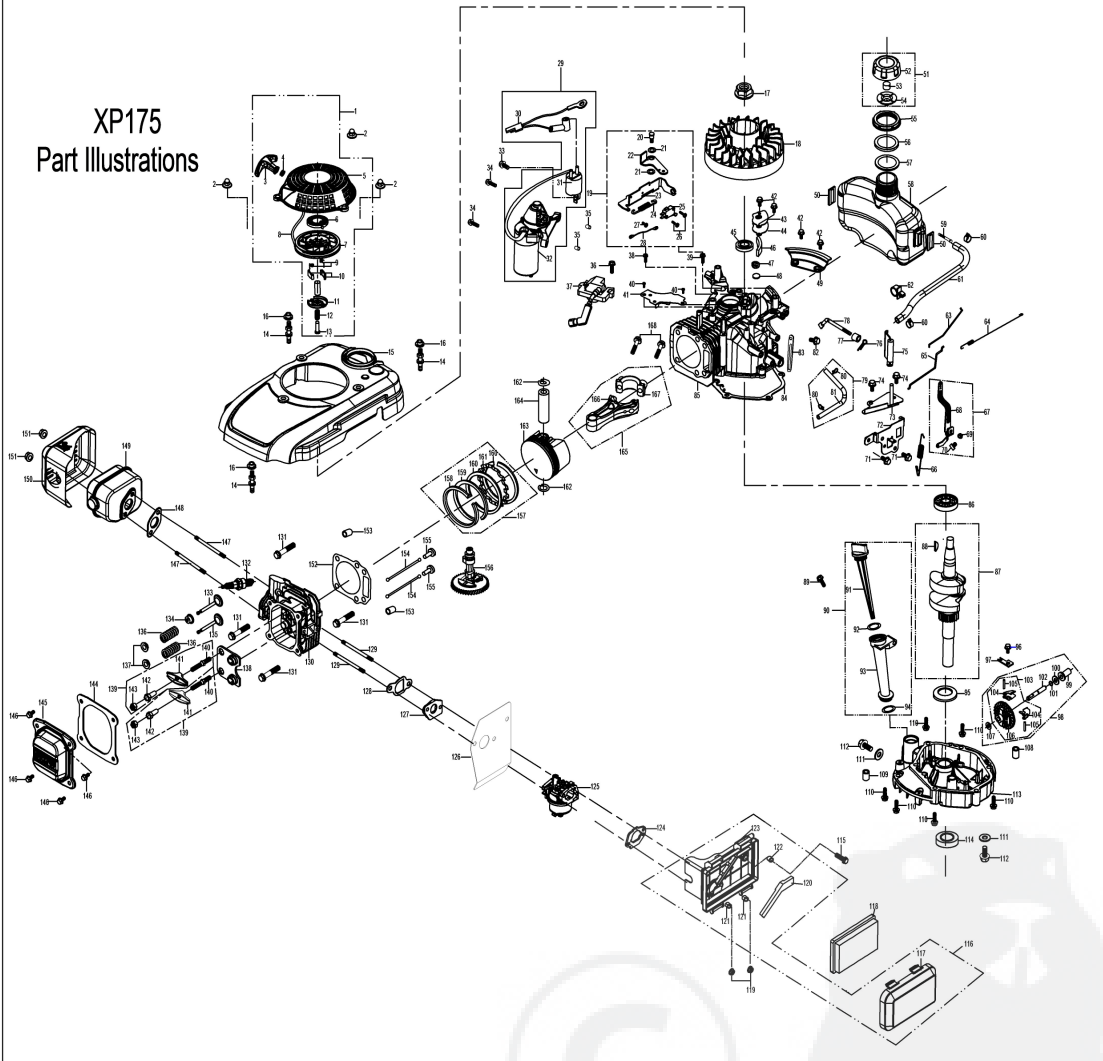


XP175  
Part Illustrations



NO.	PART No.	Description	Quantity
1	GN-1P70F-1	RECOIL STARTER ASSEMBLY	1
2	GN-1P70F-2	COVER NUT M6	3
3	GN-1P70F-3	STARTER HANDLE	1
4	GN-1P70F-4	HAND INSERT	1
5	GN-1P70F-5	STARTER HOUSING WELDMENT	1
6	GN-1P70F-6	RECOIL SPRING	1
7	GN-1P70F-7	STARTER PULLEY	1
8	GN-1P70F-8	STARTER ROPE	1
9	GN-1P70F-9	STARTER PAWL RETURN SPRING	2
10	GN-1P70F-10	STARTER PAWL	2
11	GN-1P70F-11	PRESSURE PLATE	1
12	GN-1P70F-12	PRESSURE PLATE SPRING	1
13	GN-1P70F-13	PRESSURE PLATE BOLT	1
14	GN-1P70F-14	CARB STUD	3
15	GN-1P70F-15	INNER SHROUD	1
16	GN-1P70F-16	ENGINE SHROUD SPACER	3
17	GN-1P70F-17	FLYWHEEL NUT M14×1.5	1
18	GN-1P70F-18	FLYWHEEL	1
19	GN-1P70F-19	BRAKE ASSEMBLY	1
20	GN-1P70F-20	BRAKE ARM PIVOT	1
21	GN-1P70F-21	NYLON WASHER	2
22	GN-1P70F-22	BRAKE ARM	1
23	GN-1P70F-23	BRAKE PLATE	1
24	GN-1P70F-24	BRAKE SPRING	1
25	GN-1P70F-25	BRAKE SWITCH	1
26	GN-1P70F-26	SCREW M3×14	2
27	GN-1P70F-27	SCREW M3×4	1
28	GN-1P70F-28	BONDING STRIP	1
29	GN-1P70F-29	MOTOR COMPONENTS	1
30	GN-1P70F-30	POWER CONNRCTION	1
31	GN-1P70F-31	STARTING RELAY	1
32	GN-1P70F-32	STARTUP ELECTROMOTOR	1
33	GN-1P70F-33	BOLT M6×12	1
34	GN-1P70F-34	BOLT M6×30	2
35	GN-1P70F-35	CRANKCASE COVER DOWEL 8×8	2
36	GN-1P70F-36	BOLT M6×20	1
37	GN-1P70F-37	IGNITION COIL ASSEMBLY	1
38	GN-1P70F-38	BOLT M6×15	1
39	GN-1P70F-39	BOLT M6×22	1
40	GN-1P70F-40	BOLT M6×8	2
41	GN-1P70F-41	STALL LINE TENSION DISC	1
42	GN-1P70F-42	BOLT M6×14	4
43	GN-1P70F-43	BREATHER COVER PLATE	1

NO.	PART No.	Description	Quantity
44	GN-1P70F-44	BREATHER GASKET	1
45	GN-1P70F-45	UPPER CRANKSHAFT SEAL	1
46	GN-1P70F-46	BREATHER SCREEN	1
47	GN-1P70F-47	BREATHER SPRING	1
48	GN-1P70F-48	BREATHER VALVE	1
49	GN-1P70F-49	WIND BLOCK	1
50	GN-1P70F-50	TANK LINERS	2
51	GN-1P70F-51	FUEL CAP ASSEMBLY	1
52	GN-1P70F-52	FUEL CAP	1
53	GN-1P70F-53	SPONGE INSERT	1
54	GN-1P70F-54	VENT GASKET	1
55	GN-1P70F-55	TANK LOCK NUT	1
56	GN-1P70F-56	TANK VIBRATION OF LADDER-SHAPED PAD	1
57	GN-1P70F-57	TANK DAMPING RUBBER CUSHIONS	1
58	GN-1P70F-58	FUEL TANK ASSEMBLY	1
59	GN-1P70F-59	FUEL FILTER	1
60	GN-1P70F-60	FUEL HOSE CLAMP	2
61	GN-1P70F-61	FUEL HOSE	1
62	GN-1P70F-62	PLASTIC SUPPORT CLAMP	1
63	GN-1P70F-63	THROTTLE LINKAGE	1
64	GN-1P70F-64	THROTTLE LINKAGE SPRING	1
65	GN-1P70F-65	CHOKE LINKAGE	1
66	GN-1P70F-66	GOVERNOR SPRING	1
67	GN-1P70F-67	GOVERNOR ARM ASSEMBLY	1
68	GN-1P70F-68	GOVERNOR ARM	1
69	GN-1P70F-69	NUT M6	1
70	GN-1P70F-70	GOVERNOR ARM BOLT	1
71	GN-1P70F-71	BOLT M6×14	2
72	GN-1P70F-72	COMPONENT BRACKET	1
73	GN-1P70F-73	WIND FIXATION	1
74	GN-1P70F-74	BOLT M6×12	2
75	GN-1P70F-75	AIR VANE	1
76	GN-1P70F-76	GOVERNOR COTTER PIN	1
77	GN-1P70F-77	GOVERNOR SEAL	1
78	GN-1P70F-78	GOVERNOR ARM SHAFT	1
79	GN-1P70F-79	BREATHER HOSE ASSEMBLY	1
80	GN-1P70F-80	BREATHER HOSE CLAMP	2
81	GN-1P70F-81	BREATHER HOSE	1
82	GN-1P70F-82	BOLT M6×12	1
83	GN-1P70F-83	FLEXIBLE CLAMP	1
84	GN-1P70F-84	CRANKCASE COVER GASKET	1
85	GN-1P70F-85	CRANKCASE	1
86	GN-1P70F-86	MAIN BEARING	1
87	GN-1P70F-87	CRANKSHAFT ASSEMBLY	1

NO.	PART No.	Description	Quantity
88	GN-1P70F-88	WOODRUFF KEY	1
89	GN-1P70F-89	BOLT M6×35	1
90	GN-1P70F-90	DIPSTICK ASSEMBLY	1
91	GN-1P70F-91	DIPSTICK	1
92	GN-1P70F-92	DIPSTICK O-RING	1
93	GN-1P70F-93	OIL FILL TUBE	1
94	GN-1P70F-94	OIL FILL TUBE O-RING	1
95	GN-1P70F-95	CRANKSHAFT THRUST WASHER	1
96	GN-1P70F-96	BOLT M6×14	1
97	GN-1P70F-97	GOVERNOR GEAR MOUNTING PLATE	1
98	GN-1P70F-98	GOVERNOR GEAR/SHAFT ASSEMBLY	1
99	GN-1P70F-99	GOVERNOR SLIDE CAP	1
100	GN-1P70F-100	GOVERNOR SLIDE CAP WASHER	1
101	GN-1P70F-101	GOVERNOR SHAFT STOP RING	1
102	GN-1P70F-102	GOVERNOR GEAR SHAFT	1
103	GN-1P70F-103	GOVERNOR GEAR ASSEMBLY	1
104	GN-1P70F-104	GOVERNOR FLY WEIGHT	2
105	GN-1P70F-105	GOVERNOR FLY WEIGHT PIN	2
106	GN-1P70F-106	GOVERNOR GEAR	1
107	GN-1P70F-107	GOVERNOR GEAR WASHER	1
108	GN-1P70F-108	CRANKCASE COVER DOWEL 7×14	1
109	GN-1P70F-109	CRANKCASE COVER DOWEL 9×14	1
110	GN-1P70F-110	BOLT M8×50	6
111	GN-1P70F-111	OIL DRAIN PLUG WASHER	2
112	GN-1P70F-112	OIL DRAIN PLUG	2
113	GN-1P70F-113	COVER COMP , LEFT CRANKCASE	1
114	GN-1P70F-114	LOWER CRANKSHAFT SEAL	1
115	GN-1P70F-115	A/F BASE BOLT M6×30	1
116	GN-1P70F-116	AIR FILTER ASSEMBLY	1
117	GN-1P70F-117	AIR FILTER COVER	1
118	GN-1P70F-118	AIR FILTER ELEMENT, PAPER	1
119	GN-1P70F-119	NUT M6	2
120	GN-1P70F-120	BREATHER CHANNEL COVER	1
121	GN-1P70F-121	INSTALLING BUSHING	2
122	GN-1P70F-122	INSTALLING BUSHING	1
123	GN-1P70F-123	AIR FILTER BASE	1
124	GN-1P70F-124	CARBURETOR GASKET PLATE	1
125	GN-1P70F-125	CARBURETOR ASSEMBLY	1
126	GN-1P70F-126	CARBURETOR GASKET	1
127	GN-1P70F-127	CARBURETOR INSULATOR	1
128	GN-1P70F-128	CARBURETOR INSULATOR GASKET	1
129	GN-1P70F-129	CARB STUD	2
130	GN-1P70F-130	CYLINDER HEAD	1
131	GN-1P70F-131	HEAD BOLT M8×54	4

<b>NO.</b>	<b>PART No.</b>	<b>Description</b>	<b>Quantity</b>
132	GN-1P70F-132	SPARK PLUG/F6RTC	1
133	GN-1P70F-133	INTAKE VALVE	1
134	GN-1P70F-134	INTAKE VALVE SEAL	1
135	GN-1P70F-135	EXHAUST VALVE	1
136	GN-1P70F-136	VALVE SPRING	2
137	GN-1P70F-137	VALVE SPRING RETAINER	2
138	GN-1P70F-138	PUSH ROD GUIDE	1
139	GN-1P70F-139	ROCKER ARM ASSEMBLY	2
140	GN-1P70F-140	ROCKER ARM STUD	2
141	GN-1P70F-141	ROCKER ARM	2
142	GN-1P70F-142	FULCRUM NUT	2
143	GN-1P70F-143	JAM NUT	2
144	GN-1P70F-144	VALVE COVER GASKET	1
145	GN-1P70F-145	VALVE COVER	1
146	GN-1P70F-146	BOLT M6×14	4
147	GN-1P70F-147	MUFFLER STUD M6x95	2
148	GN-1P70F-148	MUFFLER GASKET	1
149	GN-1P70F-149	MUFFLER ASSEMBLY	1
150	GN-1P70F-150	MUFFLER SHIELD	1
151	GN-1P70F-151	NUT M6	2
152	GN-1P70F-152	CYLINDER HEAD GASKET	1
153	GN-1P70F-153	CYLINDER HEAD DOWEL 10×16	2
154	GN-1P70F-154	PUSH ROD	2
155	GN-1P70F-155	TAPPET	2
156	GN-1P70F-156	CAMSHAFT ASSEMBLY	1
157	GN-1P70F-157	PISTON RING SET	1
158	GN-1P70F-158	UPPER PISTON COMPRESSION RING	1
159	GN-1P70F-159	LOWER PISTON COMPRESSION RING	1
160	GN-1P70F-160	PISTON OIL RING SEGMENT	2
161	GN-1P70F-161	PISTON OIL RING EXPANDER	1
162	GN-1P70F-162	PISTON PIN SNAP RING	2
163	GN-1P70F-163	PISTON	1
164	GN-1P70F-164	PISTON PIN	1
165	GN-1P70F-165	CONNECTING ROD ASSEMBLY	1
166	GN-1P70F-166	CONNECTING ROD	1
167	GN-1P70F-167	CONNECTING ROD CAP	1
168	GN-1P70F-168	CONNECTING ROD BOLT	2

