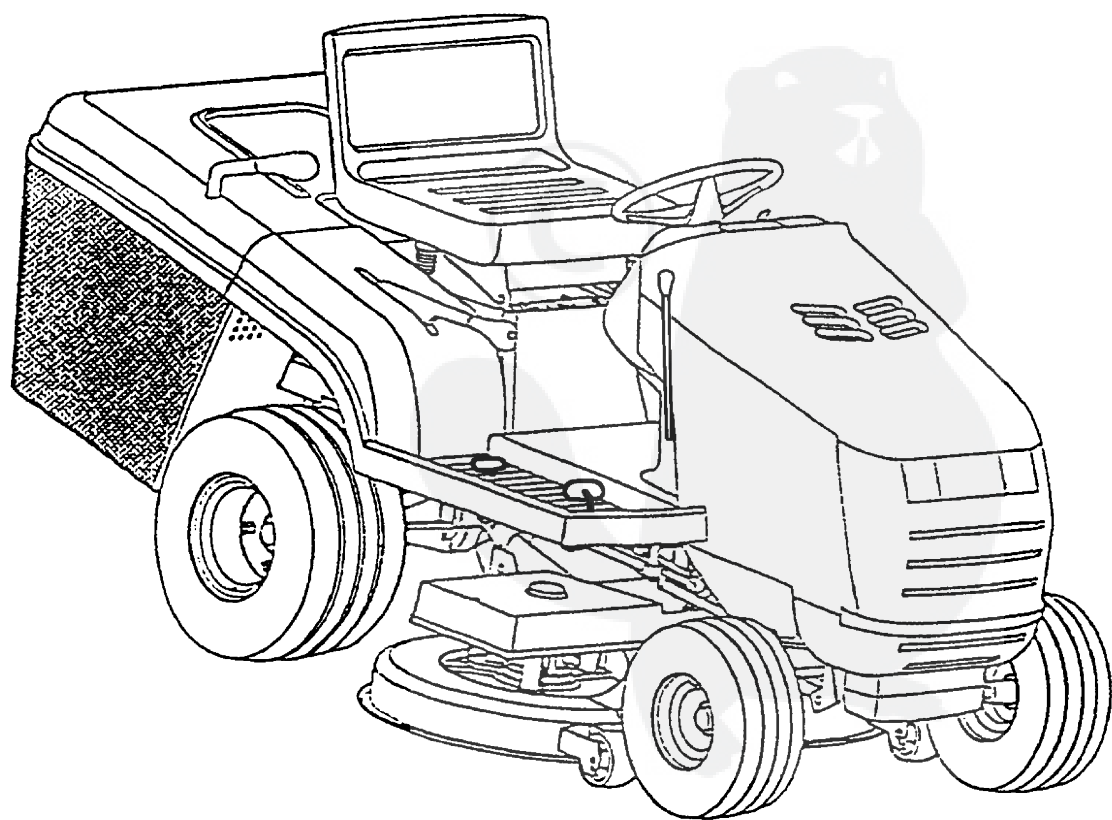
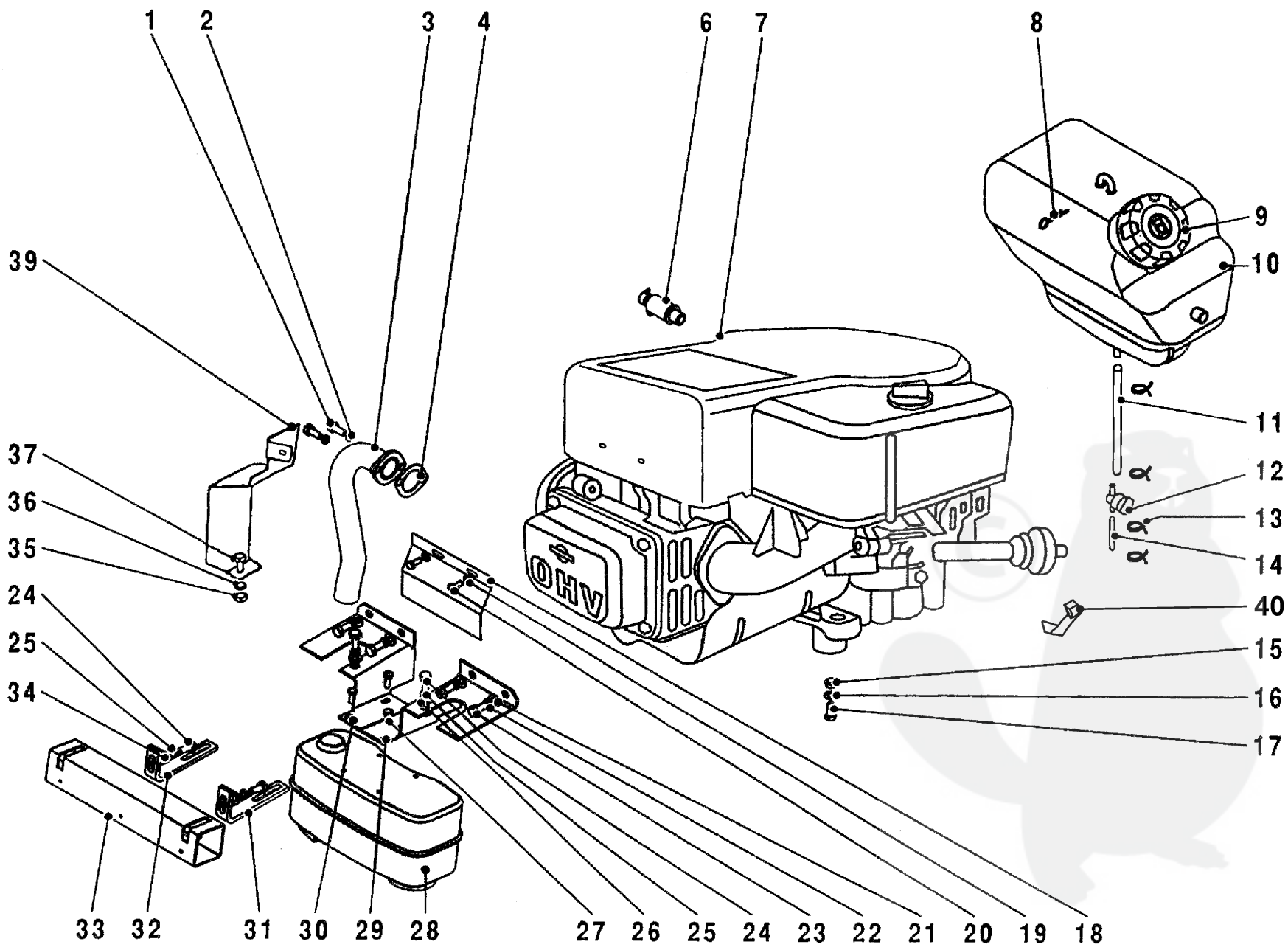


Service parts catalogue
Lawn mower tractor

**GREEN STAR
15,5 H SPECIAL**

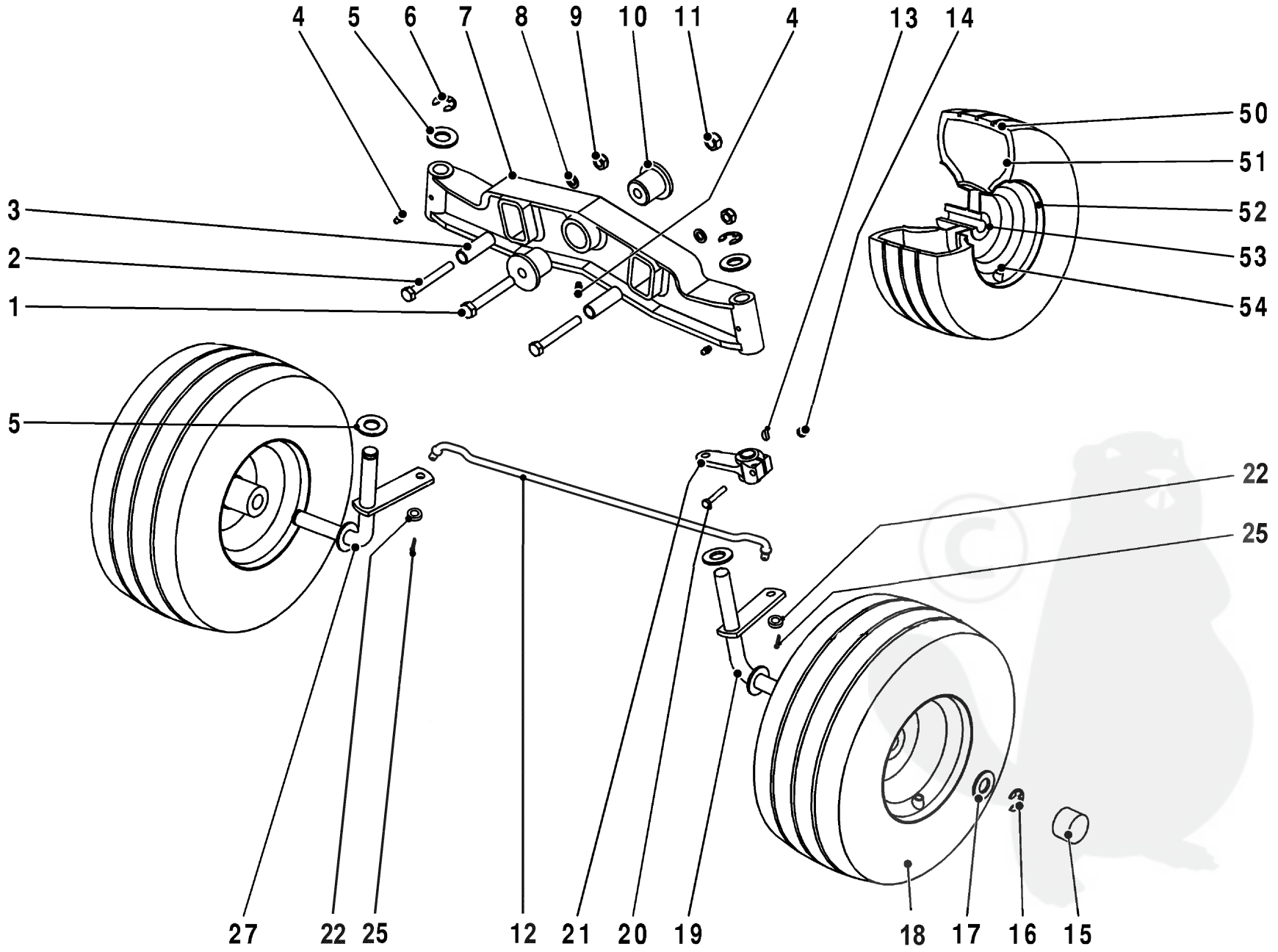




ENGINE ASSEMBLY

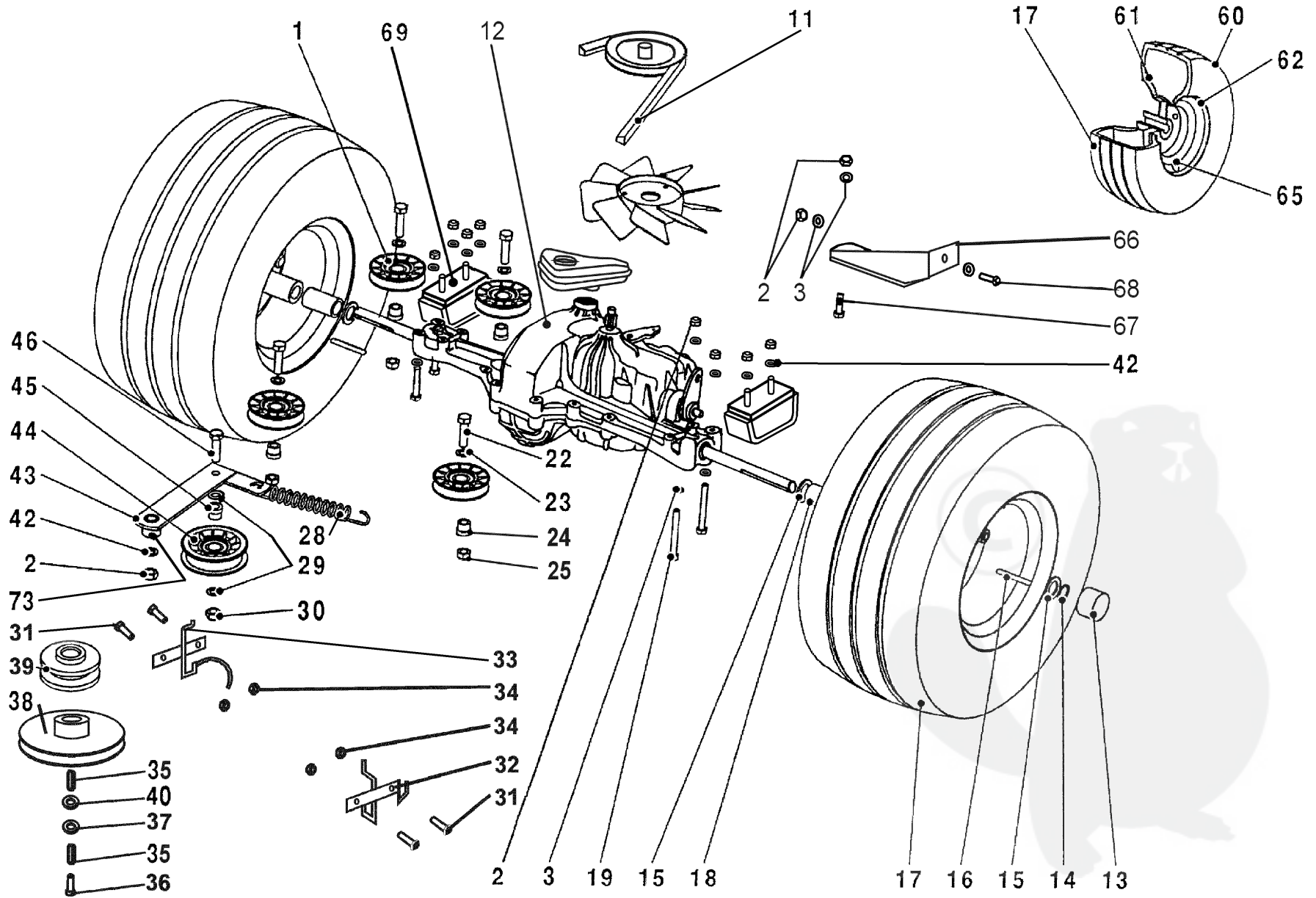
Section 1

GRP		POS.	PART NO.	DESCRIPTION	Q.TY	CODE
1		1	000201531	Exhaust screw 5/16-18UNC-3/4LG	2	
1		2	000201003	Spring washer 8 DIN 127 B	2	
1	T2S	3	595900042	Exhaust tube	1	
1	T2S	4	000224180	Exhaust gasket 15.5 HP	1	
1	T2S	6	000888305	Oil drain valve 7409	1	
1	T2S	7	000723613	Engine, 15.5 HP 28 N707-1132	1	
1	T2S	8	000033242	Hair pin clip	1	
1	T2S	9	000900955	Fuel tank cap	1	*1
1	T2S	10	000490644	Fuel tank	1	*1
1	T2S	11	000005005	Fuel line 240mm	1	
1	T2S	12	000476300	Fuel tank valve	1	
1	T2S	13	000318164	Spring clip UM 5008	4	
1	T2S	14	000008646	Fuel line 70mm	1	
1	T2S	15	000280885	Self locking nut M8 DIN 985 Cl.8	4	
1	T2S	16	000291500	Flat washer 8.4 DIN 125 A	1	
1	T2S	17	000299530	Hex screw M8x35 DIN 933 8.8	4	
1	T2S	18	000022396	Front cover	1	
1	T2S	19	000298210	Flat washer 6.4 DIN 9021 B	2	
1	T2S	20	505900065	Taptite thread form screw 1/4" -20 - 1/2	2	
1	T2S	21	000291500	Flat washer 8.4 DIN 125 A	4	
1	T2S	22	000201003	Spring washer 8 DIN 127 B	6	
1	T2S	23	000244563	Hex screw M8 x 20 DIN 933 8.8	4	
1		24	000246235	Hex screw M8x25 DIN 933 8.8	4	
1		25	000201003	Spring washer 8 DIN 127 B	4	
1		26	000298760	Flat washer 8.4 DIN 7349	2	
1	T2S	27	505900065	Taptite thread form screw 1/4" -20 - 1/2	4	
1	T2S	28	505900053	Muffler	1	
1	T2S	29	195800062	Muffler heat guard, left	1	
1	T2S	30	195800926	Muffler heat guard, right	1	
1		31	105800058	Holder, left	1	
1		32	105800057	Holder, right	1	
1		33	000042988	Holder of hood	1	
1		34	000291500	Flat washer 8.4 DIN 125 A	2	
1	T2S	35	000271942	Hex nut M6 DIN 934 Cl.8	1	
1	T2S	36	000200442	Spring washer 6 DIN 127 B	1	
1	T2S	37	000284449	Hex screw M6 x 16 DIN 933 8.8	1	
1	T2S	39	201958451	Exhaust manifold cover	1	
1		40	300884490	Stop throttle	1	
		* 1	300000002	Fuel tank with cap	1	see it. 9,10



STEERING**Section 2**

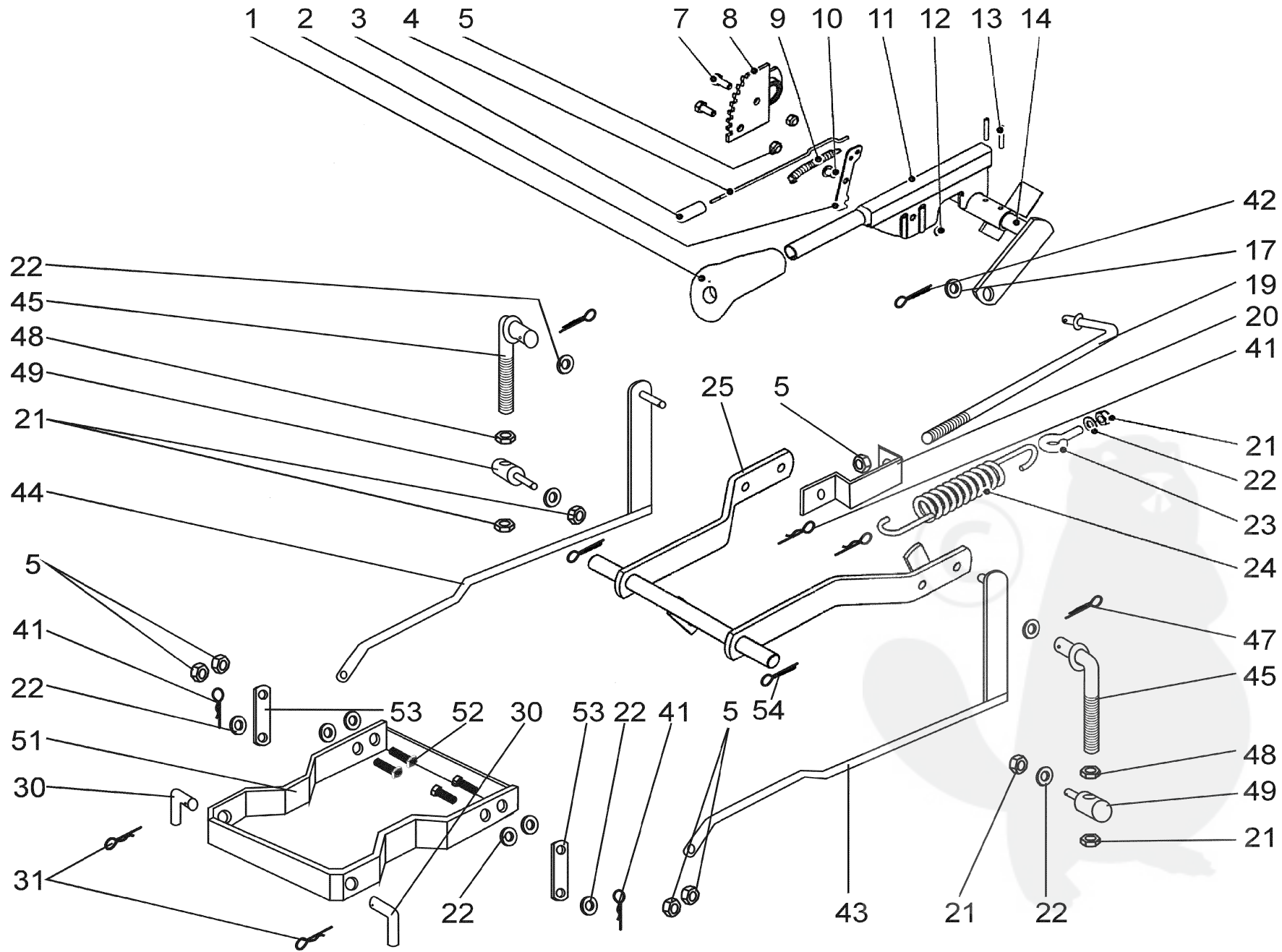
GRP		POS.	PART NO.	DESCRIPTION	Q.TY	CODE
2		22	000273625	Hex nut M10 DIN 934 Cl.8	4	
2		26	000235246	Locking stirrups 16 DIN 71805 S	2	
2		28	201852444	Washer 10.3 NORD-LOCK	4	
2		55	195800901	Ball angle joint 16	2	
2		70	000243441	Hex screw M8x16 DIN 933 8.8	2	
2	T2S	71	000280885	Self-locking nut M8 DIN 985 Cl.8	4	
2	T2S	72	000291500	Flat washer 8.4 DIN 125 A	4	
2	T2S	73	000244563	Hex screw M8x20 DIN 933 8.8	2	
2	T2S	74	000230230	Spring clip C15 DIN 6799	1	
2	T2S	75	105800970	Spacer, upper	1	
2	T2S	76	505900002	Spherical bearing FJB 12	2	
2	T2S	77	105800969	Spacer, lower	1	
2	T2S	78	195800920	Steering shaft pinion gear	1	
2	T2S	79	000282557	Self-locking nut M12 DIN 985 Cl.8	1	
2	T2S	80	505900043	Eccentric bolt washer 12.4x50x5	1	
2	T2S	81	000281446	Self-locking nut M10 DIN 985 Cl.8	1	
2	T2S	82	201058244	Bushing	1	
2	T2S	83	201058248	Steering plate	1	
2	T2S	84	000040667	Sector gear	1	
2	T2S	85	201058246	Shoulder bolt	1	
2	T2S	86	201058247	Steering pin	1	
2	T2S	87	220012045	Hex screw M12x45 DIN 933 8.8	1	
2	T2S	88	000050413	Drag link	1	



TRANSMISSION DRIVE

Section 3

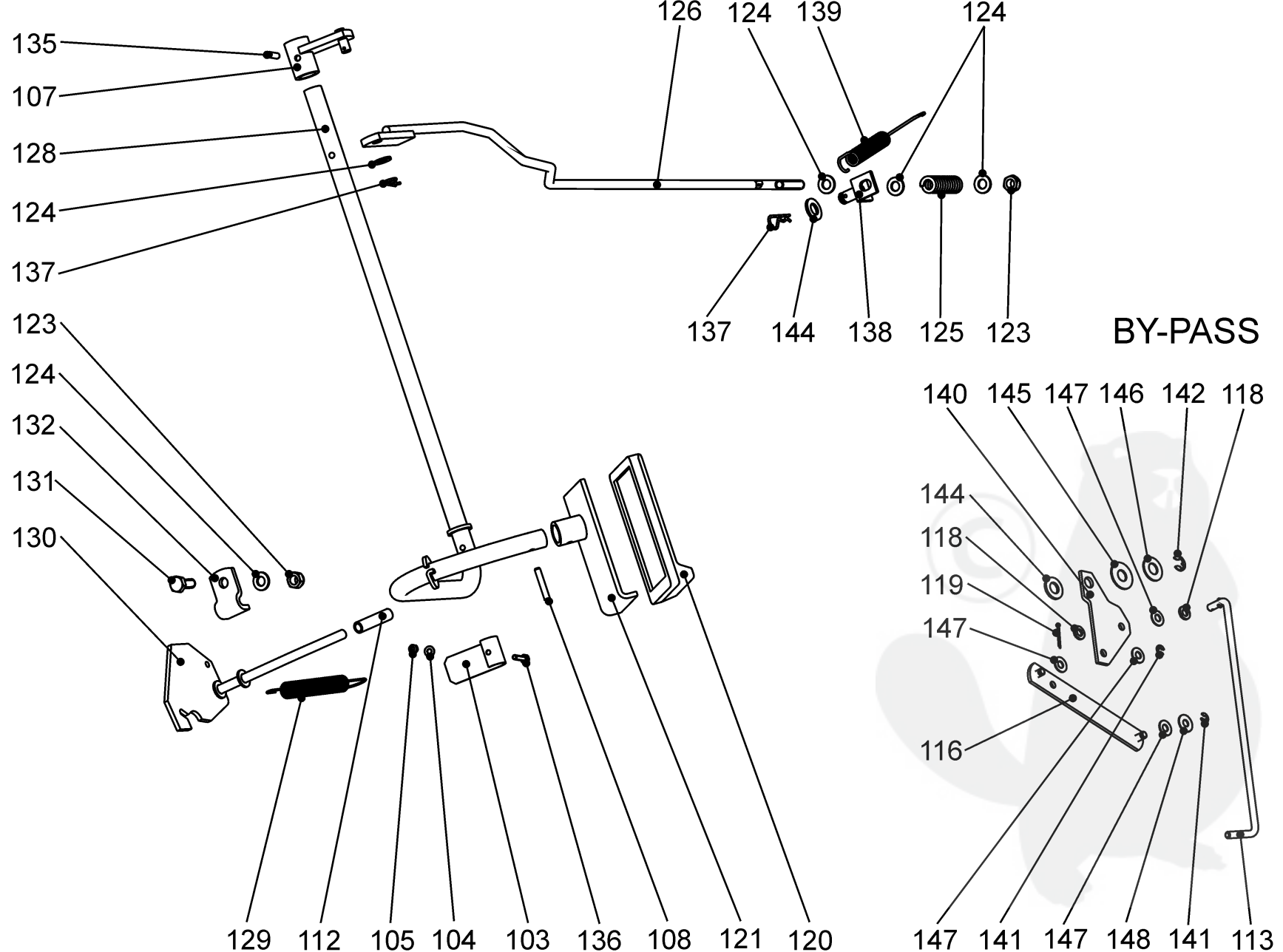
GRP		POS.	PART NO.	DESCRIPTION	Q.TY	CODE
3	T2S	1	505900074	Idler pulley V3000-3316-steel	4	
3		2	000280885	Self locking nut M8 DIN 985 Cl.8	11	
3		3	000291500	Flat washer 8.4 DIN 125A	10	
3		11	200492077	Traction v-belt La 103	1	
3		12	000358698	Tuff Torq transmission K46	1	
3	T2S	13	000407121	Hub cap SC 1-1/2 - black	2	
3	T2S	14	000230230	Spring clip 15 DIN 6799	2	
3	T2S	15	000096349	Washer	4	
3	T2S	16	000299299	Square key 3/16x3/16x2.5	2	
3		17	000491482	Rear tyre wheel assy 18x9.5-8 TURF MATE	2	
3	T2S	18	200058432	Spacer, axle	2	
3	T2S	19	200225405	Hex screw M8x65 DIN 931 8.8	4	
3	T2S	22	000238414	Hex screw M10x40 DIN 931 8.8	4	
3	T2S	23	000292061	Flat washer 10.5 DIN 125 A	4	
3	T2S	24	000091993	Idler bushing	4	
3	T2S	25	000281446	Self locking nut M10 DIN 985 Cl.8	4	
3	T2S	28	200058260	Spring	1	
3	T2S	29	000292061	Flat washer 10.5 DIN 125 A	2	
3	T2S	30	000281446	Self locking nut M10 DIN 985 Cl.8	1	
3	T2S	31	000244563	Hex screw M8x20 DIN 933 8.8	4	
3		32	200958710	Belt guard, left, engine pulley	1	
3	T2S	33	200958709	Belt guard, right, engine pulley	1	
3		34	000280885	Self locking nut M8 DIN 985 Cl.8	4	
3	T2S	35	000273955	Square key 1/4x1/4x1-1/4	2	
3	T2S	36	201059204	Clutch bolt 7/16-20x1	1	
3	T2S	37	000276012	Spring washer 7/16	1	
3	T2S	38	200959132	Cutting pan pulley	1	
3	T2S	39	000905432	Engine pulley	1	
3		40	201852004	Washer 13 DIN 7349	1	
3	T2S	42	000298760	Flat washer 8.4 DIN 9021 B	5	
3	T2S	43	200958721	Idler arm	1	
3	T2S	44	000786445	Idler pulley F 3000-0750	1	
3	T2S	45	000091993	Idler bushing	1	
3	T2S	46	000238414	Hex screw M10x40 DIN 931 8.8	1	
3		60	000487951	Tyre 18x9.5-8 TURF MATE	2	
3	T2S	61	000477235	Tube 18x9.5-8	2	
3	T2S	62	000420531	Rim 18x9.5-8	2	
3	T2S	65	000410410	Tyre valve complete	2	
3		66	200958723	Stabilizer	1	
3		67	000221845	Screw M8x45 DIN 931 10.9	1	
3		68	000246235	Screw M8x25 DIN 933 8.8	1	
3	T2S	69	200958742	Bracket - hydro	2	
3	T2S	73	000740113	Grease fitting MK 6 DIN 71412	1	



OPERATION - MOWER/LIFT

Section 4

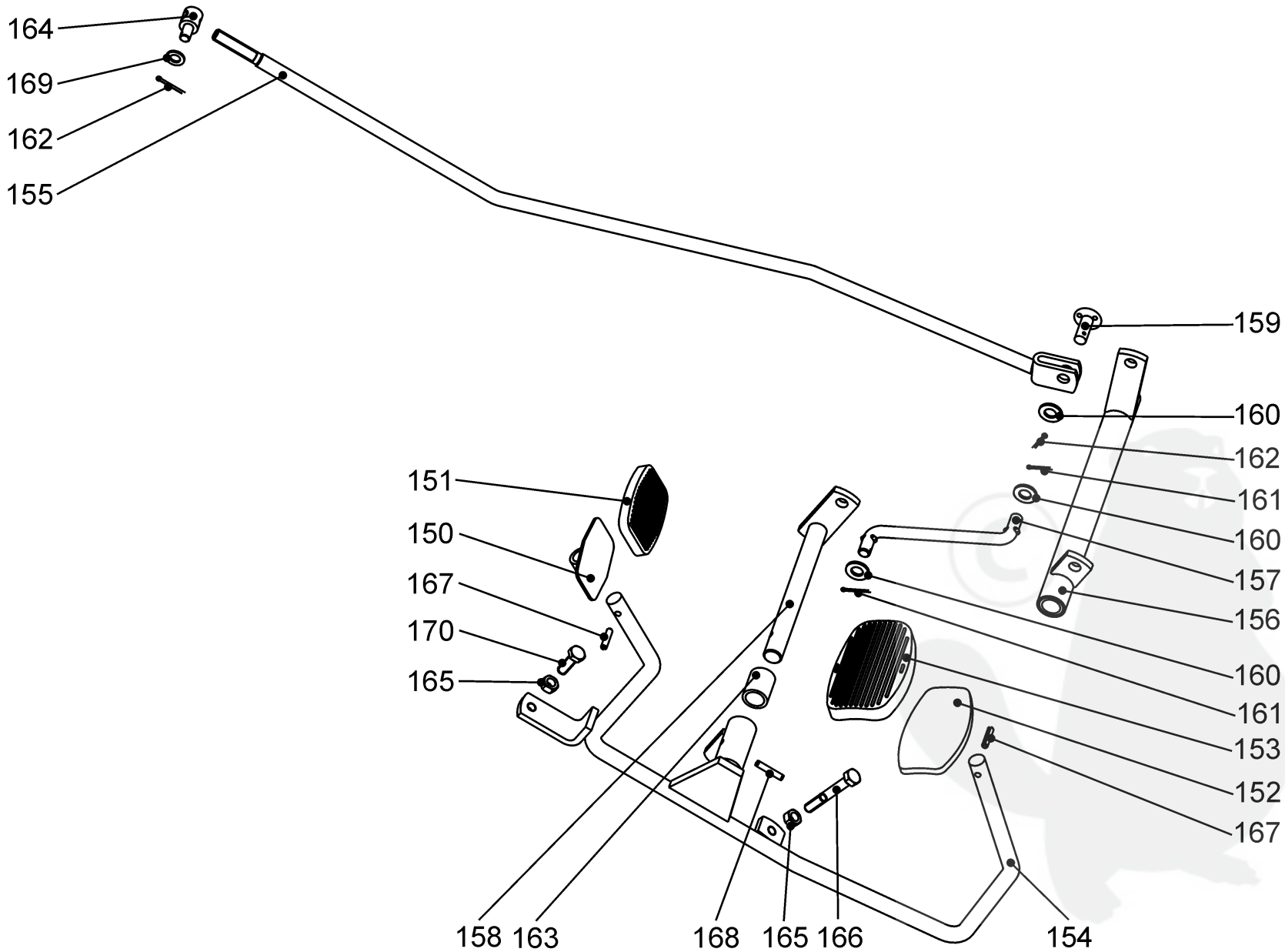
GRP		POS.	PART NO.	DESCRIPTION	Q.TY	CODE
4	T2S	1	000784256	Handle grip - black	1	
4	T2S	2	000015994	Ratchet pivot plate	1	
4	T2S	3	000403535	Plunger button - black	1	
4	T2S	4	000045639	Connection rod	1	
4	T2S	5	000280885	Self-locking nut M8 DIN 985 Cl.8	7	
4	T2S	7	000244563	Hex screw M8x20 DIN 933 8.8	2	
4	T2S	8	195800133	Gear segment	1	
4	T2S	9	000001485	Spring	1	
4	T2S	10	105800953	Arm lever pin	1	
4	T2S	11	000926222	Height adjustment arm lever	1	
4	T2S	12	275200006	Clip for pin 6 DIN 6799	1	
4	T2S	13	000324467	Spring pin 5x30 DIN 1481	2	
4	T2S	14	200958668	Height adjuster shaft	1	
4	T2S	17	000291500	Flat washer 8.4 DIN 125 A	1	
4		19	201958375	Height adjustment rod	1	
4		20	201958324	Height adjustment rod bracket	1	
4	T2S	21	000281446	Self-locking nut M10 DIN 985 Cl.8	5	
4	T2S	22	000292061	Flat washer 10.5 DIN 125 A	11	
4	T2S	23	000910283	Eye bolt M10x50x14 - Zc	1	
4	T2S	24	000080608	Lift spring	1	
4	T2S	25	200958699	Pivot arm assy	1	
4	T2S	30	000952193	Bent pin	4	
4	T2S	31	000033242	Hair pin 2.5-63	2	
4	T2S	41	200059028	Cotter pin	4	
4	T2S	42	200258720	Cotter pin 2.5x16 DIN 94	1	
4		43	200958700	Mower deck lifting arm, right	1	
4		44	200958701	Mower deck lifting arm, left	1	
4		45	200958703	Adjustable pin	2	
4		47	200258718	Cotter pin 3.2x18 DIN 94	2	
4		48	000273625	Mut M10 DIN 934	2	
4		49	200058511	Pin	2	
4		51	200958702	Mower deck suspension	1	
4		52	200059139	Special screw	4	
4		53	200058516	Bracket	2	
4		54	000235323	Cotter pin 5x50 DIN 94	2	



OPERATION - BRAKE/BYPASS

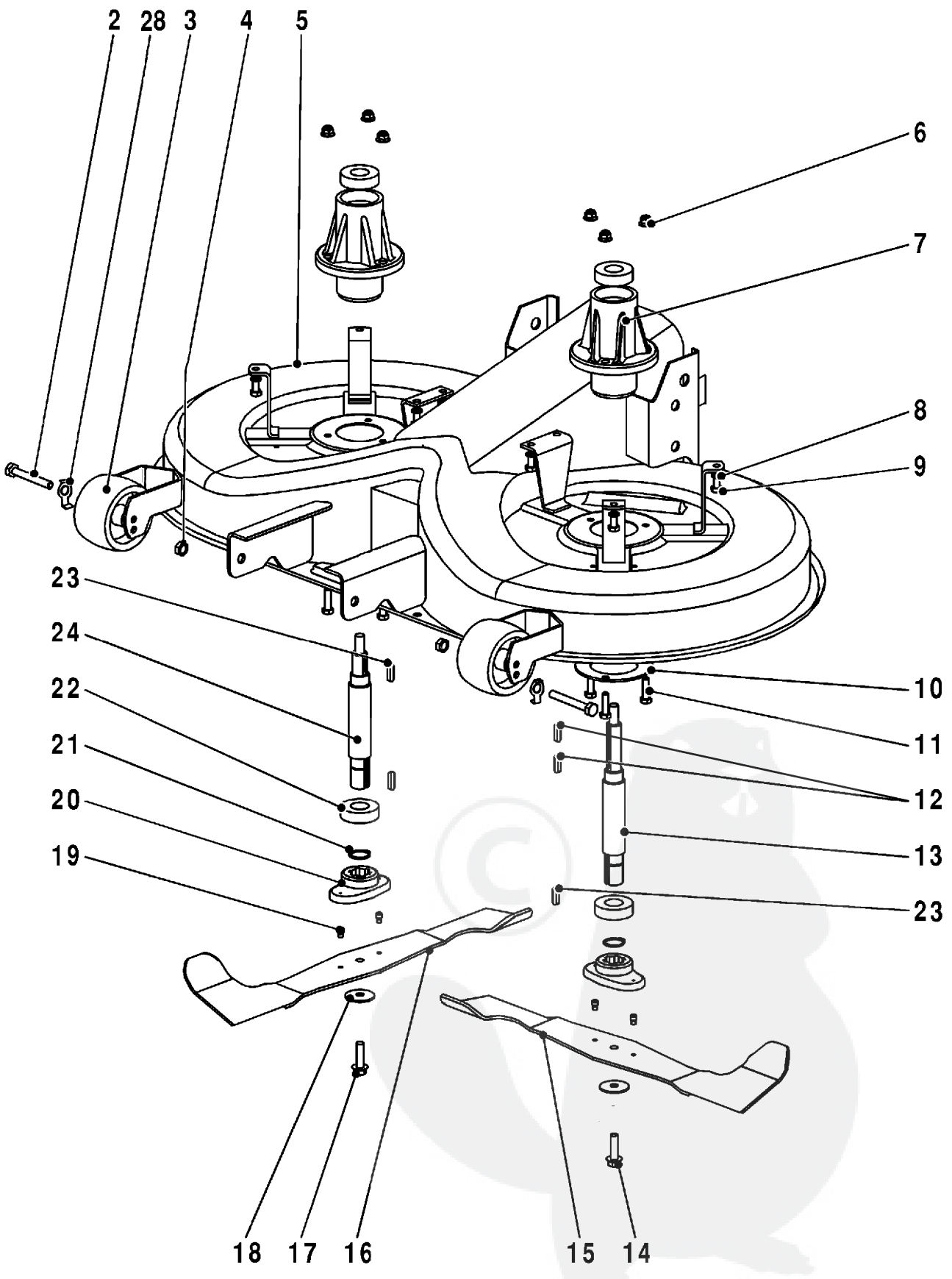
Section 4

GRP		POS.	PART NO.	DESCRIPTION	Q.TY	CODE
4	T2S	103	105800975	Spring lever	1	
4	T2S	104	000200090	Flat washer 4.3 DIN 125 A	1	
4	T2S	105	000284240	Self locking nut M4 DIN 985 Cl.8	1	
4	T2S	107	200958754	Bracket, brake rod	1	
4	T2S	108	000324467	Spring pin 5x30 DIN 1481	1	
4		112	000406560	Caps A281/B11/2	1	
4	T2S	113	200058634	Lever bypass	1	
4	T2S	116	200958730	Arm, by-pass lever	1	
4		118	000290389	Flat washer 6.4 DIN 125 A	2	
4	T2S	119	200258742	Cotter pin 1.6x12 DIN 94	1	
4	T2S	120	000411312	Pedal pad - black	1	
4	T2S	121	195800998	Pedal	1	
4	T2S	123	000280885	Self locking nut M8 DIN 985 Cl.8	2	
4	T2S	124	000291500	Flat washer 8.4 DIN 125 A	5	
4	T2S	125	000054340	Brake spring	1	
4	T2S	126	200958651	Brake connecting rod	1	
4	T2S	128	200958707	Brake - shaft	1	
4	T2S	129	000060280	Hand brake spring	1	
4	T2S	130	195800964	Hand brake lever	1	
4	T2S	131	000244563	Hex screw M8x20 DIN 933 8.8	1	
4	T2S	132	000048400	Parking brake lever clamp	1	
4	T2S	135	000291610	Spring pin 5x22 DIN 1481	1	
4	T2S	136	220004025	Hex screw M4x25 DIN 933 8.8	1	
4		137	200059136	Cotter pin 10.3-20 BEE2	2	
4		138	200958761	Bracket, brake rod	1	
4		139	200058690	Spring	1	
4		140	201058193	Plate by-pass	1	
4		141	200208243	Stirrup 4 DIN 6799	2	
4		142	000208263	Stirrup 7 DIN 6799	1	
4		144	000292061	Washer 10.5 DIN 125 A	1	
4		145	201878008	Flat washer 10.5 BN 735	1	
4		146	201852111	Spring washer 10.5 DIN 137 A	1	
4		147	201852112	Spring washer 6.4 DIN 137 A	4	
4		148	200878006	Flat washer 6.4 BN 735	1	



OPERATION - TRAVEL PEDALS**Section 4**

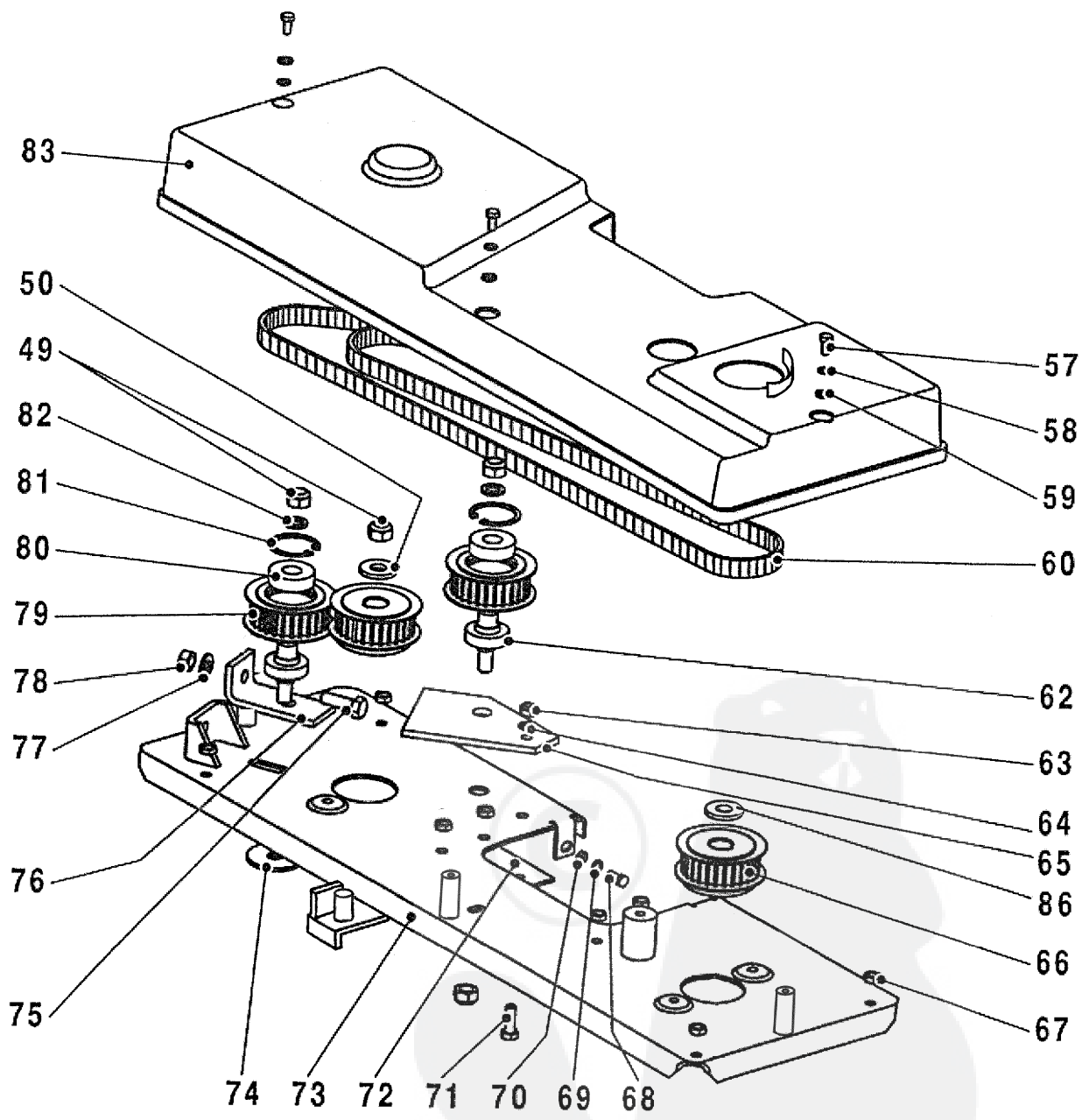
GRP		POS.	PART NO.		DESCRIPTION	Q.TY	CODE
4	T2S	150	200958756		Travel pedal, rear	1	
4	T2S	151	000406901		Pedal pad - Skoda	1	
4	T2S	152	200958757		Travel pedal, front	1	
4	T2S	153	000466774		Pedal pad, front	1	
4	T2S	154	200958752		Travel pad weldment	1	
4	T2S	155	200958755		Tie rod	1	
4	T2S	156	200958760		Diagonal shaft	1	
4	T2S	157	200058605		Formed link	1	
4	T2S	158	200958758		Diagonal shaft	1	
4	T2S	159	200058594		Pin	1	
4	T2S	160	000292061		Washer 10.5 DIN 125 A	3	
4	T2S	161	000282218		Cotter pin 2x18 DIN 94	2	
4	T2S	162	000255530		Cotter pin 2.5x18 DIN 94	2	
4	T2S	163	200058606		Spacer	1	
4	T2S	164	200058618		Pin	1	
4	T2S	165	000272503		Nut M8 DIN 934 Cl.8	2	
4	T2S	166	200225405		Screw M8x60 DIN 931 8.8	1	
4	T2S	167	000291610		Spring pin 5x22 DIN 1481	2	
4	T2S	168	200324527		Spring pin 5x26 ISO 8750	1	
4	T2S	169	200296000		Washer 9 DIN 126	1	
4	T2S	170	000246235		Screw M8x25 DIN 933 8.8	1	



CUTTING PAN - MOWER HOUSING COMPL.

Section 5

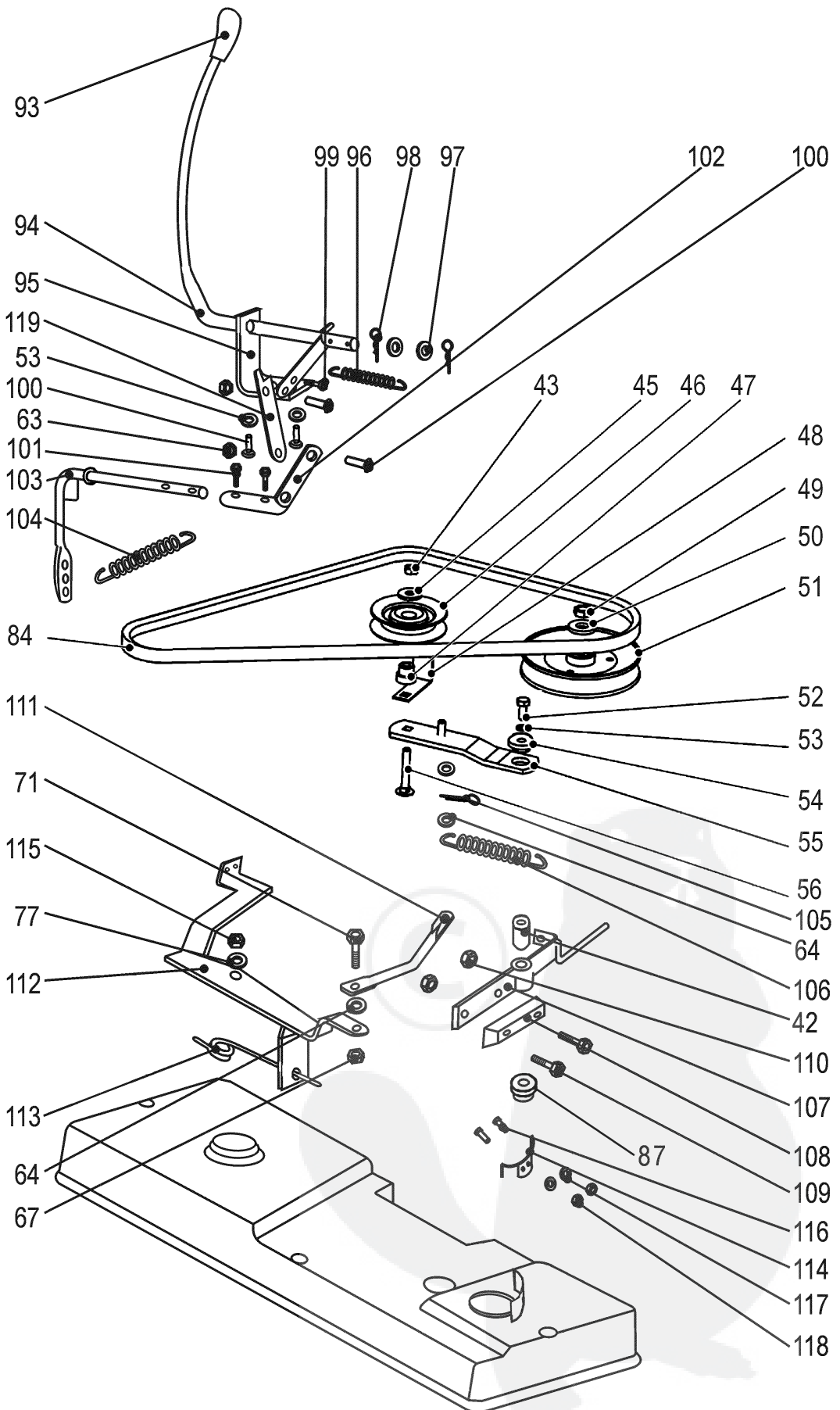
GRP		POS.	PART NO.	DESCRIPTION	Q.TY	CODE
5	T2S	1	200119043	Cutting system, complete	1	
5	T2S	2	221010090	Hex screw M10x90 DIN 931 8.8	2	
5	T2S	3	105700018	Gauge wheel	2	
5	T2S	4	000281446	Self-locking nut M10 DIN 985 Cl.8	2	
5	T2S	5	200958638	Mower housing, complete	1	
5	T2S	6	232108008	Self locking flange nut M8 DIN 6926 Cl.8	6	
5	T2S	7	000015532	Quill housing	2	
5	T2S	8	000291500	Flat washer 8.4 DIN 125 A	12	
5	T2S	9	000244563	Hex screw M8x20 DIN 933 8.8	8	
5	T2S	10	505900059	Ring support	2	
5	T2S	11	222008035	Hex flange bolt M8x35 DIN 6921 8.8	6	
5	T2S	12	201852093	Key 6h9x6x28 DIN 6885 A	2	
5	T2S	13	105800988	Blade shaft, left	1	
5	T2S	14	000233453	Hex screw M10x1x35	1	
5	T2S	15	505900031	Blade, left	1	
5	T2S	16	505900030	Blade, right	1	
5	T2S	17	000245025	Hex screw M10x1x35, left	1	
5	T2S	18	505900073	Belleville washer 40x10.2x2x3.1	2	
5	T2S	19	000281490	Grooved shear pin	4	
5	T2S	20	000010945	Blade adaptor	2	
5	T2S	21	000296076	Locking ring 25 DIN 471	2	
5	T2S	22	201878010	Bearing 6205 2RS	4	
5	T2S	23	000206030	Square key 6h9x6x25 DIN 6885 A	3	
5	T2S	24	105800987	Blade shaft, right	1	
5		28	201852163	Washer 10.5 DIN 93	2	



CUTTING PAN - DRIVE SYSTEM

Section 5

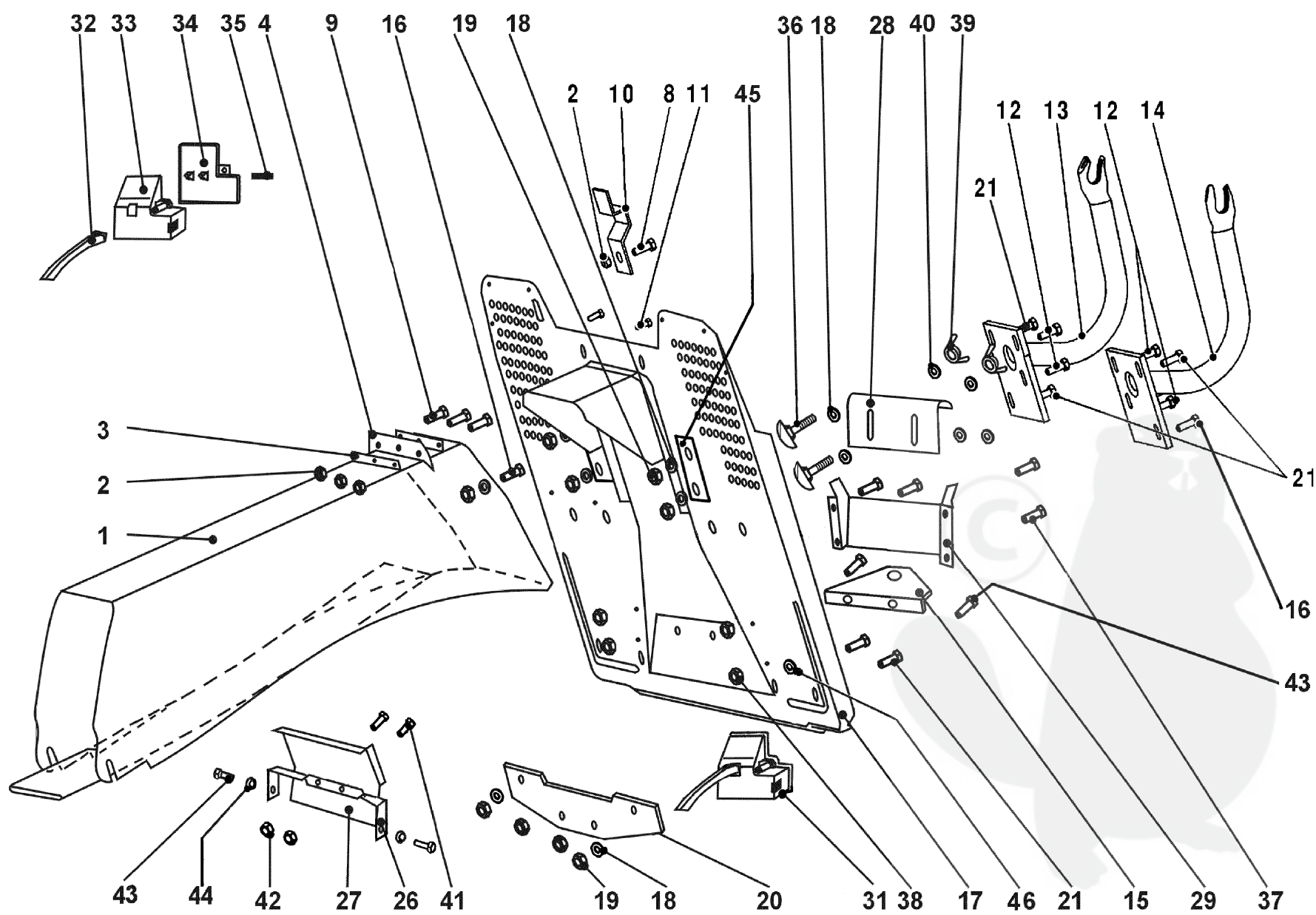
GRP		POS.	PART NO.	DESCRIPTION	Q.TY	CODE
5	T2S	49	000282557	Self locking nut M12 DIN 985 Cl.8	5	
5	T2S	50	000078573	Flat washer	1	
5	T2S	57	000284449	Hex screw M6x16 DIN 933 8.8	3	
5	T2S	58	271030064	Flat washer 6.4 BN 737	3	
5	T2S	59	105800863	Rubber washer 6.4	3	
5	T2S	60	410201760	Cog belt 20DS 8M 1760 Mitsuboshi	1	
5	T2S	62	105800928	Cog pulley pin	2	
5		63	000280885	Self locking nut M8 DIN 985 Cl.8	1	
5	T2S	64	000291500	Flat washer 8.4 DIN 125 A	1	
5	T2S	65	105800945	Pulley support	1	
5	T2S	66	000993663	Drive cog pulley 28	2	
5		67	000280885	Self locking nut M8 DIN 985 Cl.8	1	
5		68	240306016	Carriage bolt M6x16 DIN 603 6.8	1	
5		69	000290389	Flat washer 6.4 DIN 125 A	1	
5		70	000283118	Self locking nut M6 DIN 985 Cl.8	1	
5	T2S	72	105800946	Flat washer	1	
5	T2S	73	200958680	Blade drive plate assy	1	
5	T2S	74	505900043	Cog pulley washer	1	
5	T2S	75	220010045	Hex screw M10x45 DIN 933 8.8	1	
5	T2S	76	105800947	Bracket idler	1	
5	T2S	77	000292061	Flat washer 10.5 DIN 125 A	1	
5	T2S	78	000281446	Self locking nut M10 DIN 985 Cl.8	2	
5	T2S	79	195800887	Cog pulley 28	2	
5	T2S	80	201878011	Bearing 6203 2RS P6	2	
5	T2S	81	275100040	Locking ring 40 DIN 472	2	
5	T2S	82	000293172	Flat washer 13 DIN 125 A	2	
5	T2S	83	200958471	Belt cover - black	1	
5		86	000433103	Flat washer 21 DIN 125 A	1	
5		87	000069729	Washer	1	



CUTTING PAN - OPERATING

Section 5

GRP		POS.	PART NO.	DESCRIPTION	Q.TY	CODE
5	T2S	42	200058485	Spacer	1	
5	T2S	43	000280885	Self locking nut M8 DIN 985 Cl.8	1	
5	T2S	45	000298761	Flat washer 8.4 DIN 7349	1	
5	T2S	46	000785884	Idler pulley W3500 - 3712	1	
5	T2S	47	105800931	Bushing	1	
5	T2S	48	105800943	Belt retainer	1	
5	T2S	49	000282557	Self locking nut M12 DIN 985 Cl.8	1	
5	T2S	50	000078573	Flat washer 21 DIN 125 A	1	
5	T2S	51	000903606	Drive pulley	1	
5	T2S	52	000221877	Hex screw M8x70 DIN 931 8.8	1	
5	T2S	53	000201003	Spring washer 8 DIN 127 B	3	
5	T2S	54	000069729	Shoulder spacer	1	
5	T2S	55	200958690	Idler arm	1	
5	T2S	56	000228096	Hex screw M8x40 DIN 931 8.8	1	
5	T2S	63	000280885	Self locking nut M8 DIN 985 Cl.8	2	
5	T2S	64	000291500	Flat washer 8.4 DIN 125 A	3	
5		67	000280885	Self locking nut M8 DIN 985 Cl.8	8	
5		71	000246235	Hex screw M8x25 DIN 933 8.8	1	
5	T2S	77	000292061	Flat washer 10.5 DIN 125 A	1	
5		84	200492073	V-Belt B57	1	
5		93	200057105	Handle grip	1	
5		94	200958539	Engagement lever	1	
5		95	200958689	Bracket	1	
5		96	000060280	Spring	1	
5		97	000211057	Washer 17 DIN 125A	2	
5		98	200258717	Cotter pin 3.2x25 DIN 94	2	
5		99	505900065	Self-tapping screw 1/4-20x1/2	1	
5		100	000269709	Screw M8x20 DIN 933 8.8	4	
5		101	000225020	Screw M5x20 DIN 933 8.8	2	
5		102	200958686	Link	1	
5		103	200958687	Lever	1	
5		104	200058542	Spring	1	
5		105	200282218	Cotter pin 2x18 DIN 94	2	
5		106	200058539	Spring	1	
5		107	200958691	Brake bracket	1	
5		108	200058484	Brake pad	1	
5		109	000272635	Screw M5x30 DIN 933 8.8	2	
5		110	000285912	Nut M5 DIN 985 Cl.8	2	
5		111	200058473	Lever	1	
5		112	200958692	Pivot bracket	1	
5		113	200058541	Spring, torsion	1	
5		114	200958694	Belt guard	1	
5		115	000281446	Nut M10 DIN 985 Cl.8	1	
5		116	000256300	Screw M5x12 DIN 933 8.8	2	
5		117	000239448	Washer 5.3 DIN 9021 B	2	
5		118	000285912	Nut M5 DIN 985 Cl.8	2	
5		119	200058502	Connecting lever	1	

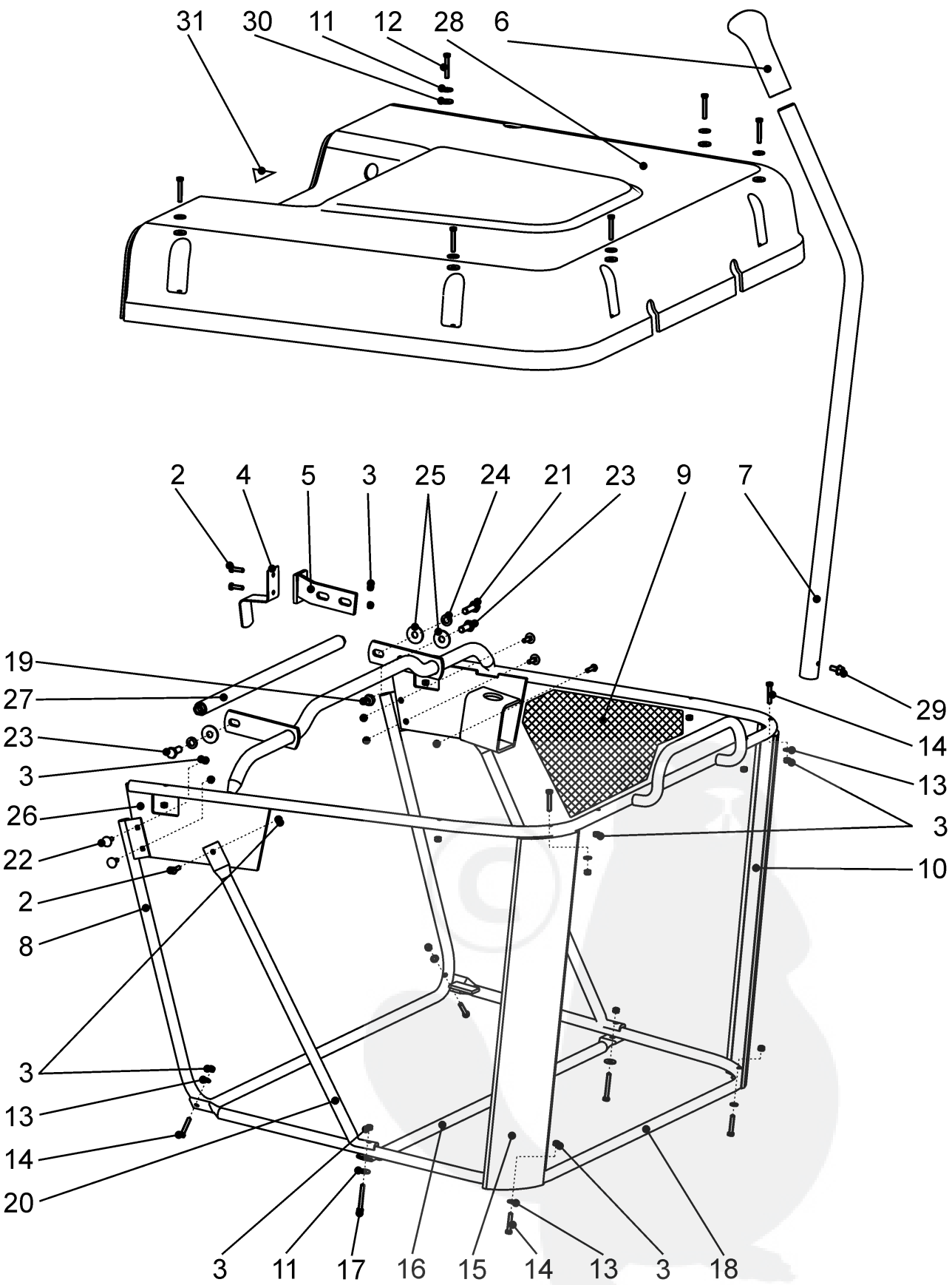


CHUTE - COLLECTOR ASSEMBLY

Section 6

GRP		POS.	PART NO.	DESCRIPTION	Q.TY	CODE
6	T2S	1	200958762	Tunnel	1	
6	T2S	2	000284240	Self locking nut M4 DIN 985 Cl.8	4	
6	T2S	3	000072765	Support plate	1	
6	T2S	4	000071082	Rubber seal	1	
6	T2S	8	253504012	Ecofix screw M4x12 BN 4825H 4.8	1	
6	T2S	9	000262911	Head slotted screw M4x12 DIN 84A 8.8	3	
6	T2S	10	105800926	Switch cover	1	
6	T2S	11	255108016	Carriage bolt M8x16 BN 11252 10.9	2	
6	T2S	12	000251691	Screw M8x25 Verbus Ripp BN 2797 Cl.100	4	
6	T2S	13	200958653	Collector support, right	1	
6	T2S	14	200958652	Collector support, left	1	
6	T2S	15	200058625	Tow hitch	1	
6	T2S	16	222008020	Hex screw M8x20 DIN 6921 8.8	2	
6	T2S	17	200958766	Collector plate assy	1	
6	T2S	18	000291500	Flat washer 8.4 DIN 125 A	9	
6	T2S	19	000280885	Self locking nut M8 DIN 985 Cl.8	9	
6	T2S	20	200058623	Tow hitch support	1	
6	T2S	21	000213312	Hex screw M8x25 DIN 6921 8.8	5	
6		26	200058627	Protective shield bracket	1	
6		27	200058624	Protective shield	1	
6		28	201058237	Adjustable shield	1	
6		29	201058238	Rear plate chute	1	
6		31	200958656	Overload switch assy, complete	1	
6		32	201058119	Overload switch actuation lever	1	
6		33	201058121	Upper housing, over-load switch	1	
6		34	201058120	Lower housing, over-load switch	1	
6		35	200059134	Pin, over-load switch	1	
6		36	240306016	Carriage bolt M6x16 DIN 603 6.8	2	
6		37	000247357	Hex screw M6x12 DIN 933 8.8	4	
6		38	000283118	Nut M6 DIN 985 KL 8	4	
6		39	000846802	Plastic wing nut 1/4-20	2	
6		40	000290389	Flat washer 6.4 DIN 125 A	2	
6		41	000207086	Carriage bolt M5x16 DIN 603 6.8	2	
6		42	000285912	Nut M5 DIN 985 KL8	2	
6	T2S	43	000244563	Hex screw M8x20 DIN 933 8.8	4	
6	T2S	44	000201003	Spring washer 8 DIN 127 B	2	
6		45	201115853	Reinforcing	2	
6		46	201878001	Bushing 6 KD 707	1	

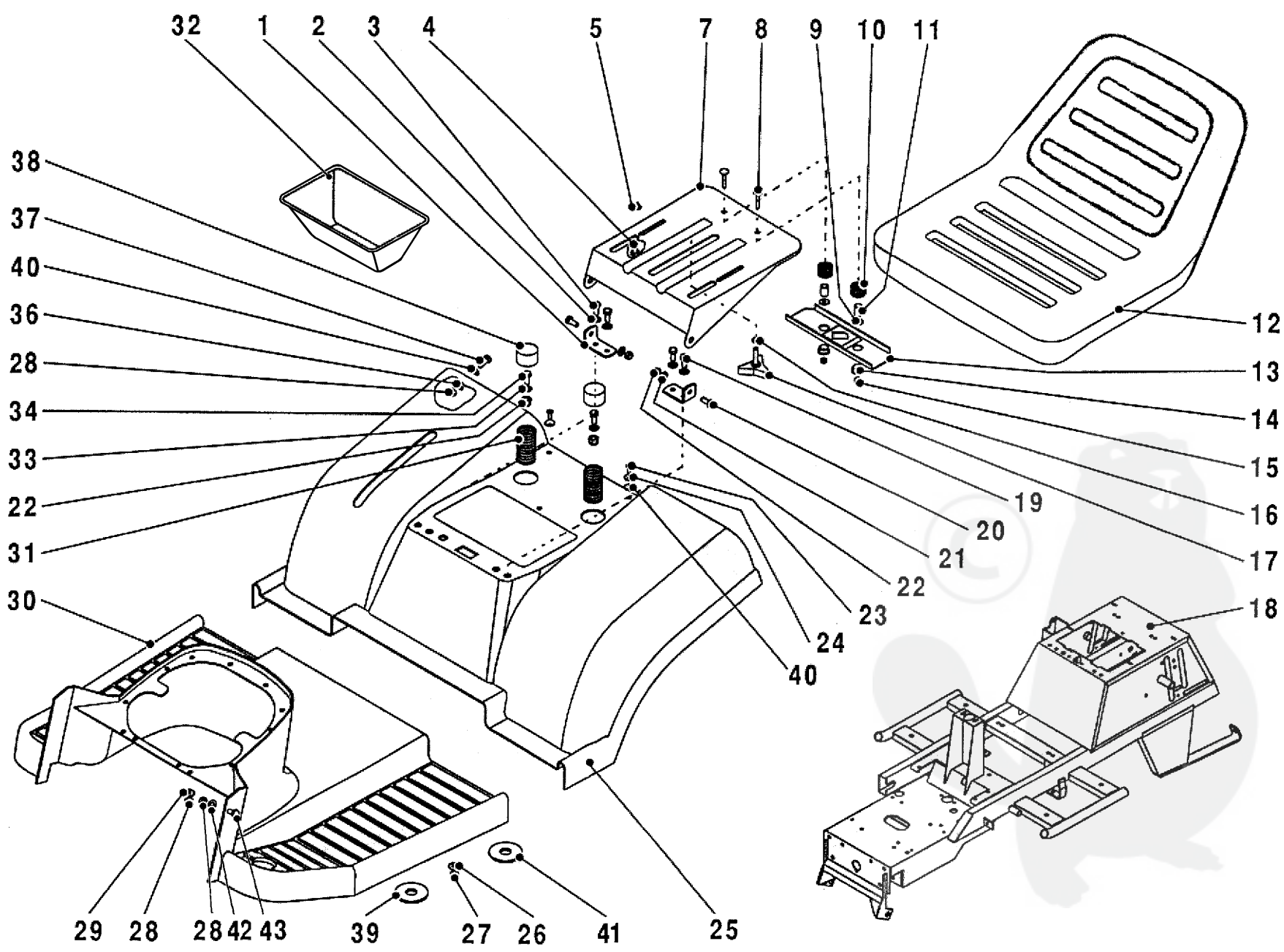
GRASS COLLECTOR ASSY



GRASS COLLECTOR ASSEMBLY

Section 7

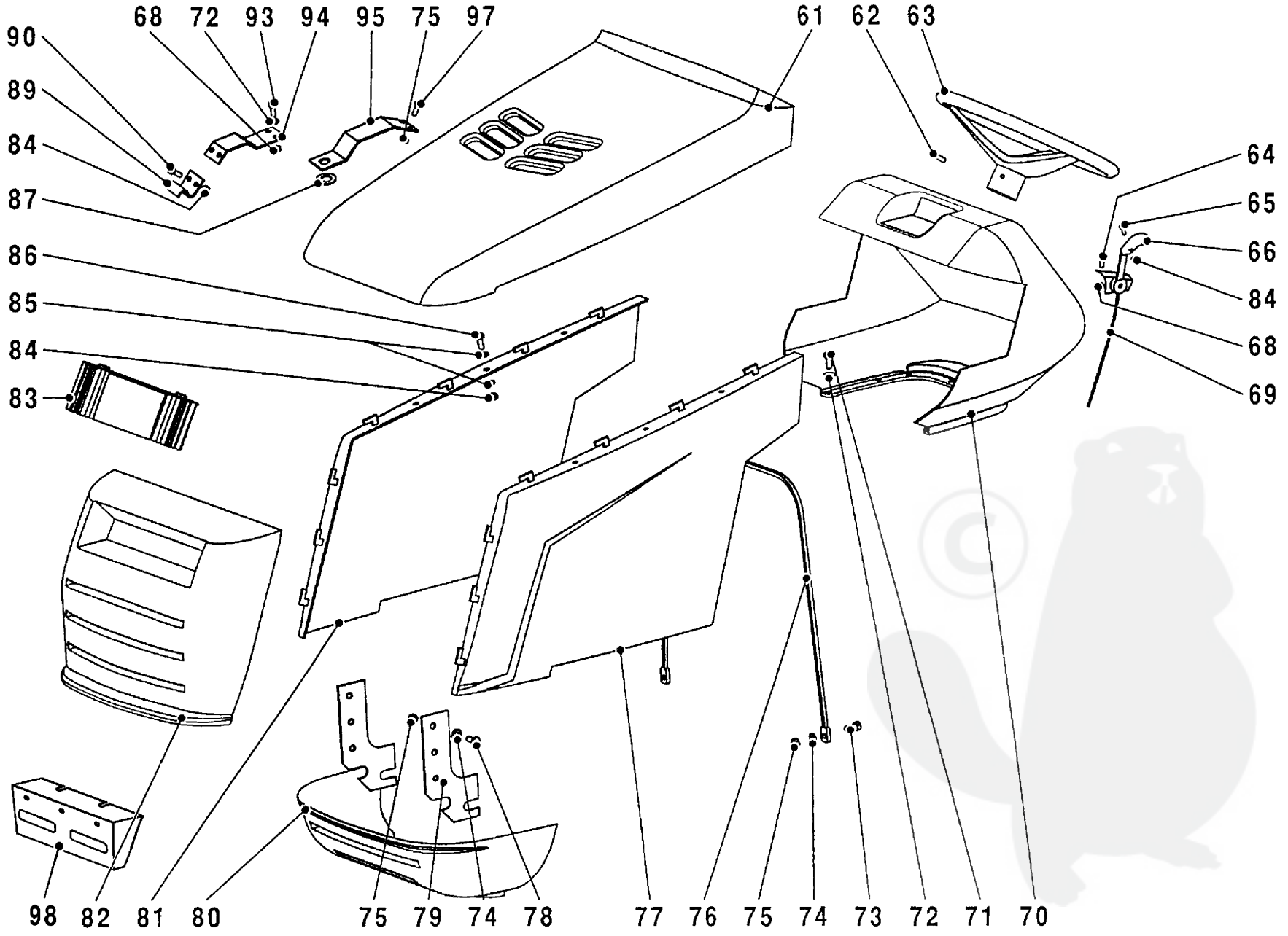
GRP		POS.	PART NO.	DESCRIPTION	Q.TY	CODE
7	T2S	1	201958323	Grass collector assy	1	
7	T2S	2	000254067	Hex screw M5x16 DIN 933 8.8	4	
7	T2S	3	000285912	Self locking nut M5 DIN 985 Cl.8	22	
7	T2S	4	105800918	Collector spring, interlock	1	
7	T2S	5	201958329	Spring bracket	1	
7	T2S	6	000489951	Handle grip, dump lever	1	
7	T2S	7	105800952	Dumping lever	1	
7	T2S	8	000975249	Front frame assy	1	
7	T2S	9	200058278	Grass collector bag CZ	1	
7	T2S	10	000019063	Corner support - right	1	
7	T2S	11	000239448	Flat washer 5.3 DIN 9021 B	8	
7	T2S	12	000272635	Hex screw M5x30 DIN 933 8.8	6	
7	T2S	13	000289828	Flat washer 5.3 DIN 125 A	6	
7	T2S	14	000286605	Hex screw M5x25 DIN 933 8.8	6	
7	T2S	15	000060269	Corner support- left	1	
7	T2S	16	000024937	Connecting brace	1	
7	T2S	17	000283250	Hex screw M5x35 DIN 933 8.8	2	
7	T2S	18	200958657	Bottom frame assy	1	
7		19	000280885	Self locking nut M8 DIN 985 Cl.8	1	
7		20	000026048	Brace	2	
7		21	000246235	Hex screw M8x25 DIN 933 8.8	1	
7		22	000207086	Carriage bolt M5x16 DIN 603 6.8	4	
7		23	000244563	Hex screw M8x20 DIN 933 8.8	2	
7		24	000201003	Spring washer 8 DIN 127 B	2	
7		25	000298760	Flat washer 8.4 DIN 9021 B	3	
7		26	201958328	Top frame assy	1	
7		27	000978604	Lift handle	1	
7		28	201058089	Collector cover RAL 3020	1	
7		29	505900065	Taptite thread form screw M6x12 DIN 7500 D	1	
7		30	105800862	Rubber washer 5	6	
7		31	000639144	Decal arrow	1	



BODY ASSEMBLY - FENDER/SEAT

Section 8

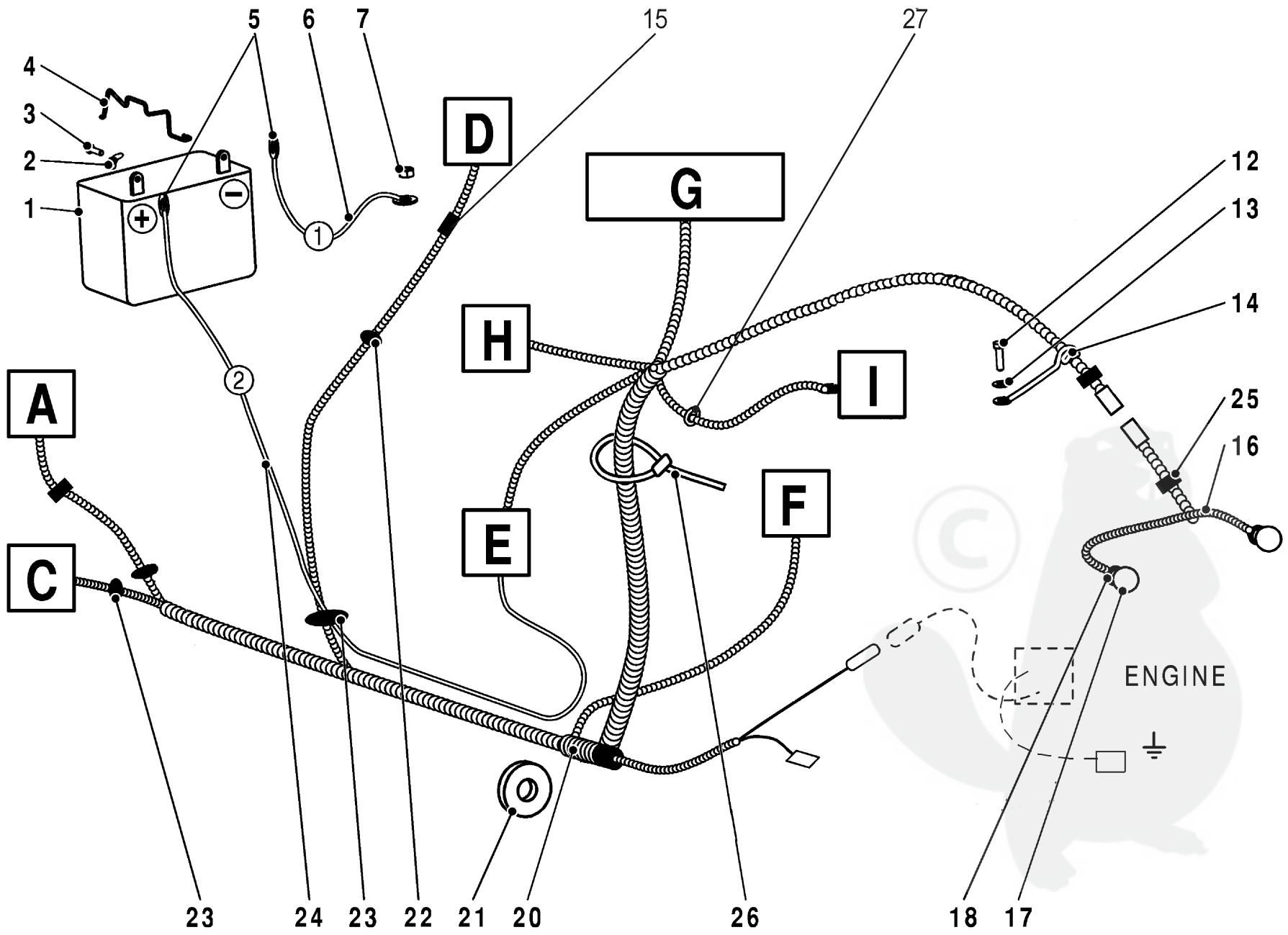
GRP		POS.	PART NO.			Q.TY	CODE
8	T2S	1	105800940		Seat support bracket	2	
8	T2S	2	000201003		Spring washer 8 DIN 127 B	4	
8	T2S	3	000246235		Hex screw M8x25 DIN 933 8.8	3	
8	T2S	4	222008020		Hex flange bolt M8x20 DIN 6921	2	
8		5	201058223		Spacer	2	
8	T2S	7	105800939		Seat support	1	
8	T2S	8	240306030		Carriage bolt M6x30 DIN 603 6.8	2	
8	T2S	9	000298210		Flat washer 6.4 DIN 9021 B	2	
8	T2S	10	000331386		Seat spring	2	
8	T2S	11	105800935		Spacer split	2	
8	T2S	12	505900119		Seat, QUATRO 400 071	1	
8	T2S	13	105800938		Bracket	1	
8	T2S	14	000002156		Bushing	2	
8	T2S	15	000283118		Self locking nut M6 DIN 985 Cl.8	2	
8	T2S	16	000290642		Spring washer 8 DIN 137 A	2	
8	T2S	17	000204886		Adj. knob KRG 1A 40 M8x15	2	
8	T2S	18	200958705		Chassis frame	1	
8	T2S	19	000245124		Hex screw M8x30 DIN 933 8.8	1	
8	T2S	20	000074690		Seat support screw	2	
8	T2S	21	000291500		Flat washer 8.4 DIN 125 A	2	
8	T2S	22	000280885		Self locking nut M8 DIN 985 Cl.8	4	
8	T2S	23	000262064		Flat head socket screw M5x20 DIN 7991 A4	2	
8	T2S	24	000268774		Finishing washer 5.3 SN 213912	2	
8	T2S	25	201058080		Fender RAL 3020	1	
8	T2S	26	000292061		Flat washer 10.5 DIN 125 A	4	
8		26	000292061		Flat washer 10.5 DIN 125 A	4	
8	T2S	27	000281446		Self locking nut M10 DIN 985 Cl.8	4	
8	T2S	28	000285912		Self locking nut M5 DIN 985 Cl.8	14	
8	T2S	29	000239448		Flat washer 5.3 DIN 9021 B	6	
8	T2S	30	200057102		Footrest assy - black	1	
8	T2S	31	000098692		Seat spring	2	
8		32	201058111		Battery box	1	
8	T2S	33	000298760		Flat washer 8.4 DIN 9021 B	2	
8	T2S	34	000244563		Hex screw M8x20 DIN 933 8.8	2	
8	T2S	36	000239448		Flat washer 5.3 DIN 9021 B	6	
8	T2S	37	000207086		Carriage bolt M5x16 DIN 603 6.8	6	
8	T2S	38	000407121		Hub cap SC 1-1/2 - black	2	
8	T2S	39	105800864		Rubber washer 10.5	2	
8		40	105800862		Rubber washer 5.3	8	
8		41	105800870		Rubber washer 11.5	2	
8		42	000289828		Flat washer 5.3 DIN 125 A	2	
8		43	254505016		Flat head screw M5x16 DIN 965 A 4.8	2	



BODY ASSEMBLY - HOOD

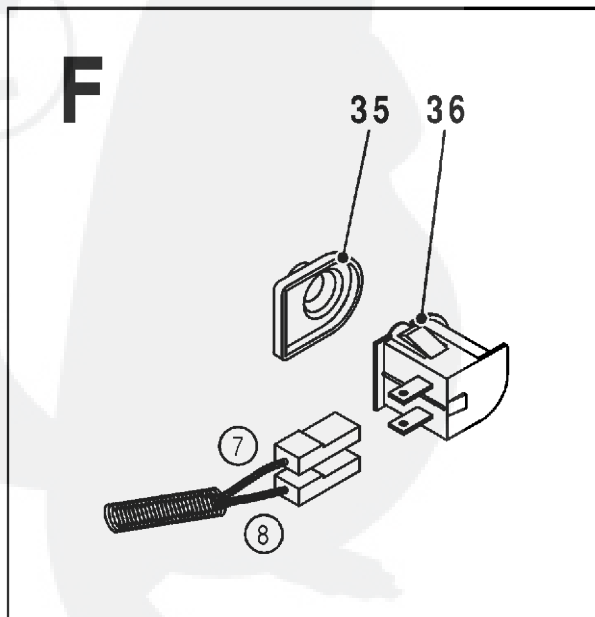
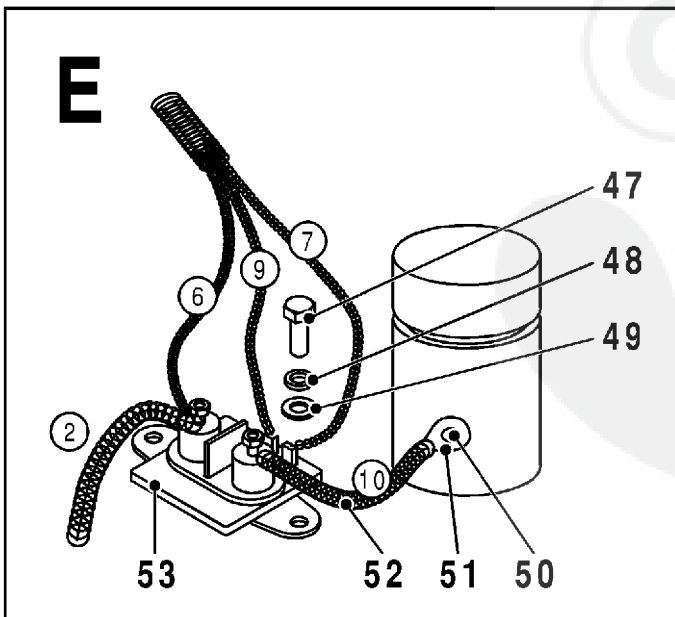
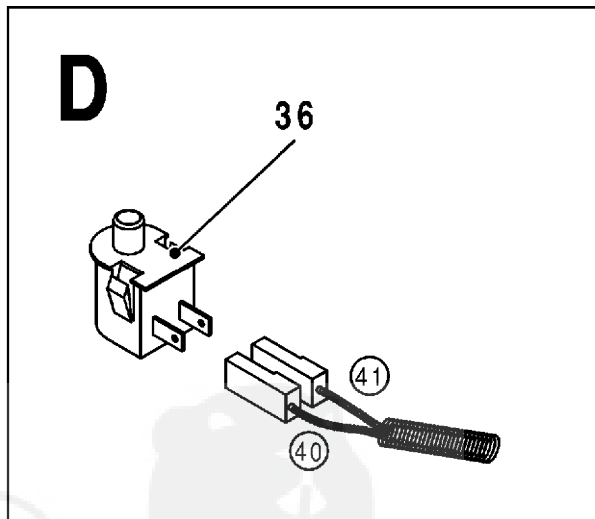
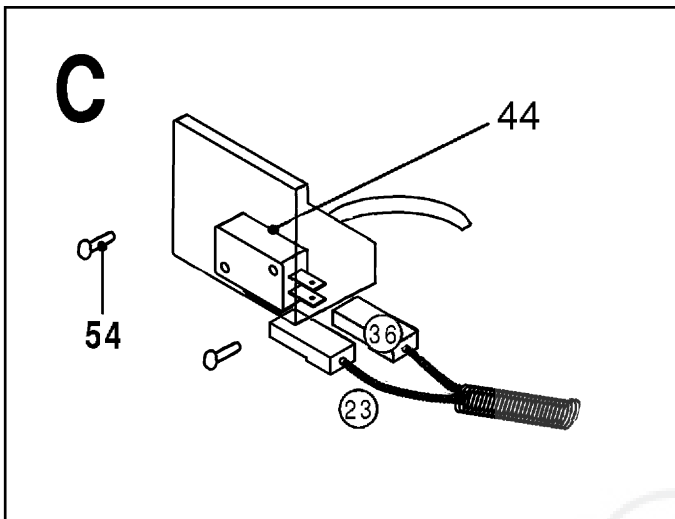
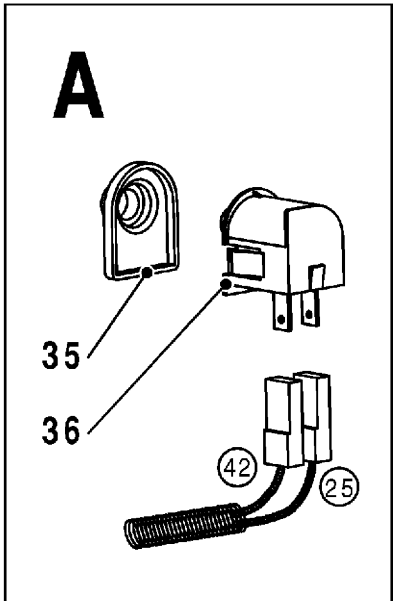
Section 8

GRP		POS.	PART NO.	DESCRIPTION	Q.TY	CODE
8	T2S	61	201958542	Hood - top cover	1	
8	T2S	62	000323906	Spring pin 6x45 DIN 7346	1	
8	T2S	63	000058527	Steering wheel, 14 640 CZ	1	
8	T2S	64	254505016	Flat head screw M5x16 DIN 965 A 4.8	2	
8	T2S	65	250004014	Head-slotted screw M4x14 DIN 84 A 8.8	1	
8	T2S	66	000084414	Throttle knob - black	1	
8	T2S	68	000285912	Self locking nut M5 DIN 985 Cl.8	4	
8	T2S	69	000717739	Throttle lever assy 25-1105	1	
8	T2S	70	201058056	Dash panel	1	
8	T2S	71	220005020	Hex screw M5x20 DIN 933 8.8	6	
8	T2S	72	000239448	Flat washer 5.3 DIN 9021 B	8	
8		73	000284449	Hex screw M6x16 DIN 933 8.8	2	
8	T2S	74	000298210	Flat washer 6.4 DIN 9021B	8	
8	T2S	75	000283118	Self locking nut M6 DIN 985 Cl.8	10	
8		76	105800937	Hood brace	1	
8		77	105700088	Hoooh - side plate LH	1	
8	T2S	78	000284449	Hex screw M6x16 DIN 933 8.8	6	
8	T2S	79	201058125	Foot	2	
8	T2S	80	200057035	Bumper - muflet guard	1	
8	T2S	81	105700089	Hoooh - side plate RH	1	
8	T2S	82	201057090	Grill	1	
8	T2S	83	000423335	Lens	1	
8	T2S	84	000284240	Self locking nut M4 DIN 985 Cl.8	17	
8	T2S	85	000200090	Flat washer 4.3 DIN 125 A	28	
8	T2S	86	000247621	Hex screw M4x16 DIN 933 8.8	14	
8	T2S	87	000820699	Bushing 23x2 KD5	1	
8	T2S	89	000045133	Spring	1	
8	T2S	90	000286660	Hex screw M4x10 DIN 933 8.8	2	
8		93	000256300	Hex screw M5x12 DIN 933 8.8	2	
8		94	000096734	Panel brace	1	
8		95	000057651	Fuel tank holder	1	
8		97	000260997	Screw M6x25 DIN 7991 10.9	2	
8		98	201958883	Heat shield CZ	1	



ELECTRICAL - WIRING HARNESS COMPL.**Section 9**

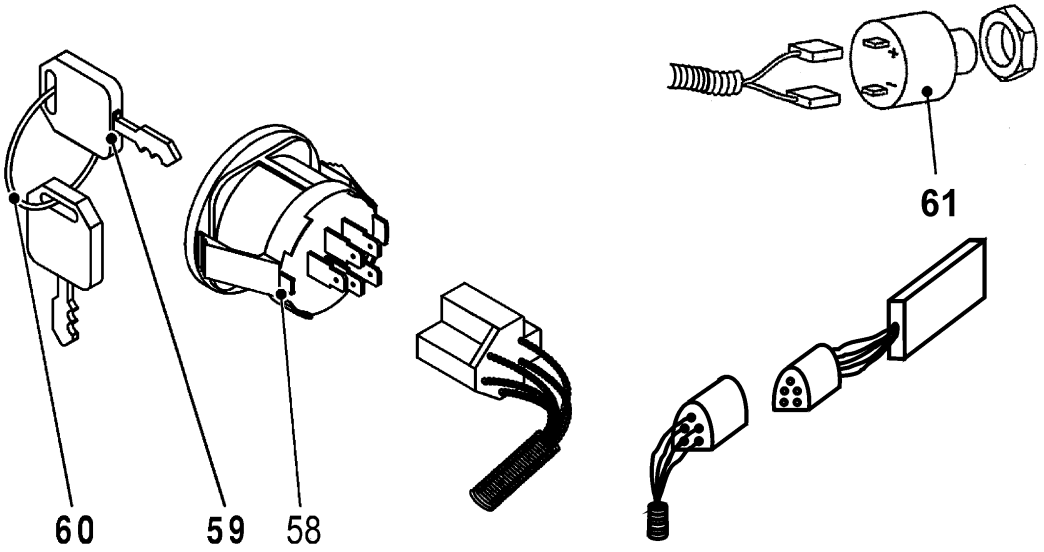
GRP		POS.	PART NO.	DESCRIPTION	Q.TY	CODE
9	T2S	1	000866712	Battery 12V-22Ah - wet	1	
9	T2S	2	000846802	Plasic wing nut 1/4 - 20	2	
9	T2S	3	000861894	Battery screw 1/4-20x3/4 LG	2	
9	T2S	4	000874962	Battery clamp	1	
9	T2S	5	000652388	Rubber boot	2	
9	T2S	6	000872421	Battery cable (-)	1	
9	T2S	7	000280885	Self locking nut M8 DIN 985 Cl.8	1	
9	T2S	12	000221089	Hex screw M8x18 DIN 933 8.8	1	
9		13	000291500	Flat washer 8.4 DIN 125 A	1	
9	T2S	14	000059004	Wiring harness holder	1	
9	T2S	15	000829191	Clip - snap in 1903-00 F/A	4	
9	T2S	16	201958368	Light wiring harness	1	
9		17	000818323	Light bulb R 10W 12V BA15s	2	
9	T2S	18	000858000	Light socket	2	
9	T2S	20	200958640	Wiring harness Eco 3WN 195-64	1	
9	T2S	21	000890670	Cap - 15455 - 4539	1	
9	T2S	22	000430595	Bushing 9x1.5 KD 712	1	
9	T2S	23	820002202	Bushing 16x2 KD 7	3	
9	T2S	24	195800915	Battery cable (+)	1	
9	T2S	25	000692054	Nylon clips - adhesive 1/4 PCNY 250-9	1	
9	T2S	26	000323356	Cable ties RT 360	2	
9		27	000820699	Bushing 23x2 KD 5	1	



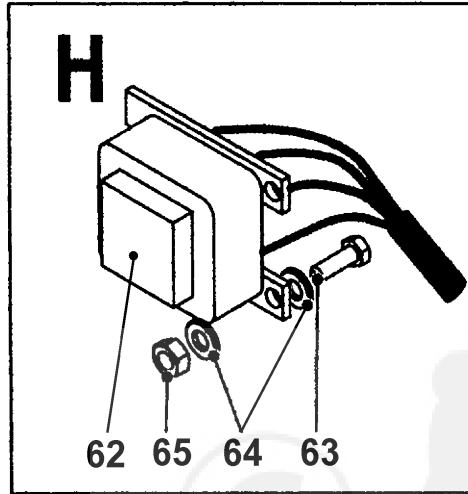
ELECTRICAL - SWITCHES (1)**Section 9**

GRP		POS.	PART NO.	DESCRIPTION	Q.TY	CODE
9	T2S	35	505900049	Protective cover 9910	2	
9	T2S	36	000877943	Switch DELTA 6440-04	2	
9		44	200958656	Switch	1	
9	T2S	47	000247357	Hex screw M6x12 DIN 933 8.8	2	
9	T2S	48	000200442	Spring washer 6 DIN 127 B	2	
9	T2S	49	000290389	Flat washer 6.4 DIN 125 A	2	
9	T2S	50	000277816	Nut W 1/4" - 20	1	
9	T2S	51	000453332	Rubber boot 16x11	1	
9	T2S	52	195800916	El. starter lead (10)	1	
9	T2S	53	000821117	Solenoid 94255/12V - 150A	1	
9		54	000259314	Screw 4.2x13 DIN 7981 F	2	

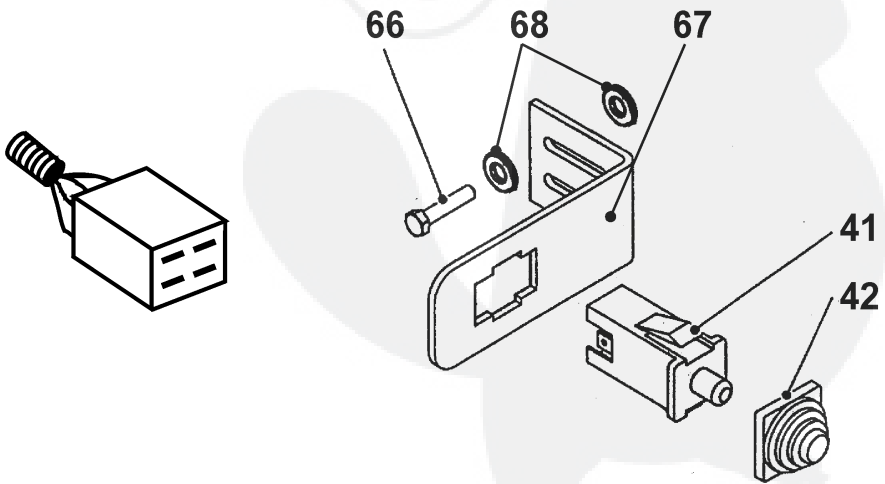
G



H

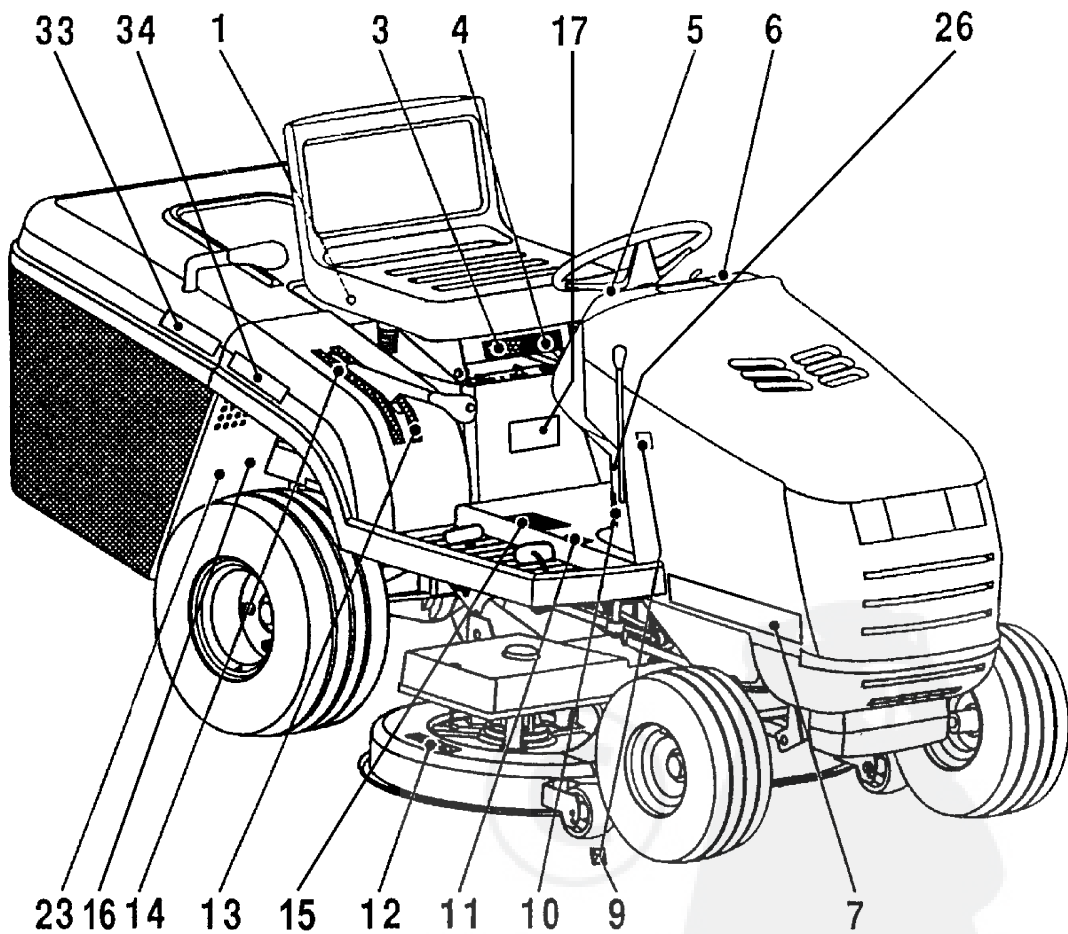


I



ELECTRICAL - SWITCHES (2)**Section 9**

GRP		POS.	PART NO.	DESCRIPTION	Q.TY	CODE
9		41	505900050	Switch interlock 6700-01 A	1	
9		42	505900048	Protective cover 9905	1	
9	T2S	58	200830600	Ignition switch DELTA integral with key	1	
9	T2S	59	200800001	Key with moulded cover for integral switch	2	
9	T2S	60	000304909	Ring 406 15/40	1	
9		61	201958410	Buzzer	1	
9		62	000846824	Relay	1	
9		63	220005020	Hex screw M5x20 DIN 933 8.8	1	
9		64	000239448	Flat washer 5.3 DIN 9021 B	2	
9		65	000285912	Self locking nut M5 DIN 985 Cl.8	1	
9		66	300000012	Screw 4.8x19 DIN 7981	2	
9		67	201058577	Bracket	1	
9		68	000289828	Flat washer 5.3 DIN 125 A	2	



DECALS / LABELS**Section 10**

GRP		POS.	PART NO.		DESCRIPTION	Q.TY	CODE
10		1	000639144		Decal arrow	1	
10	T2S	3	000604945		Battery label	1	
10		4	201059075		Decal B&S	1	
10	T2S	5	201058337		Decal, dash panel, right	1	
10		6	105800925		Decal, dash panel, left	1	
10		7	201058048		Decal GREEN STAR	2	
10	T2S	9	000689315		Brake locking	1	
10	T2S	10	000686620		Users information	1	
10	T2S	11	000668041		Safety label	1	
10	T2S	12	000601920		Safety label - cutting	2	
10	T2S	13	000697521		Label of lifting, left	1	
10	T2S	14	105800819		Label of lifting, right	1	
10	T2S	15	000641179		Travel direction decal	1	
10	T2S	16	200058280		By-pass decal	1	
10		17	201058186		Safety decal	1	
10		23	201058253		Rear plate chute decal	1	
10		26	000677644		Decal cutting, on-off	1	
10		33	201058046		Decal, fender-collector cover, left	2	
10		34	201058047		Decal, fender-collector cover, right	2	