



PARTS CATALOG

GRASS-TRIMMER / BRUSHCUTTER

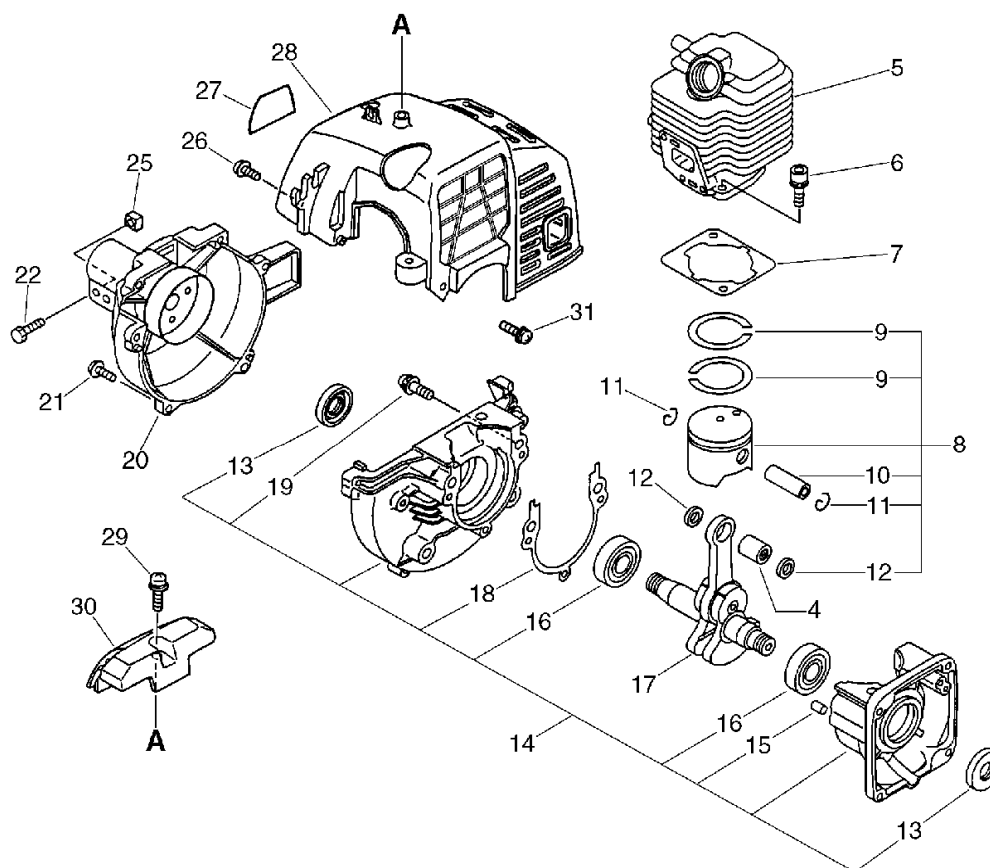
GT-2000



GT-2000

1. Cylinder, Crankcase, Piston, Fan Cover

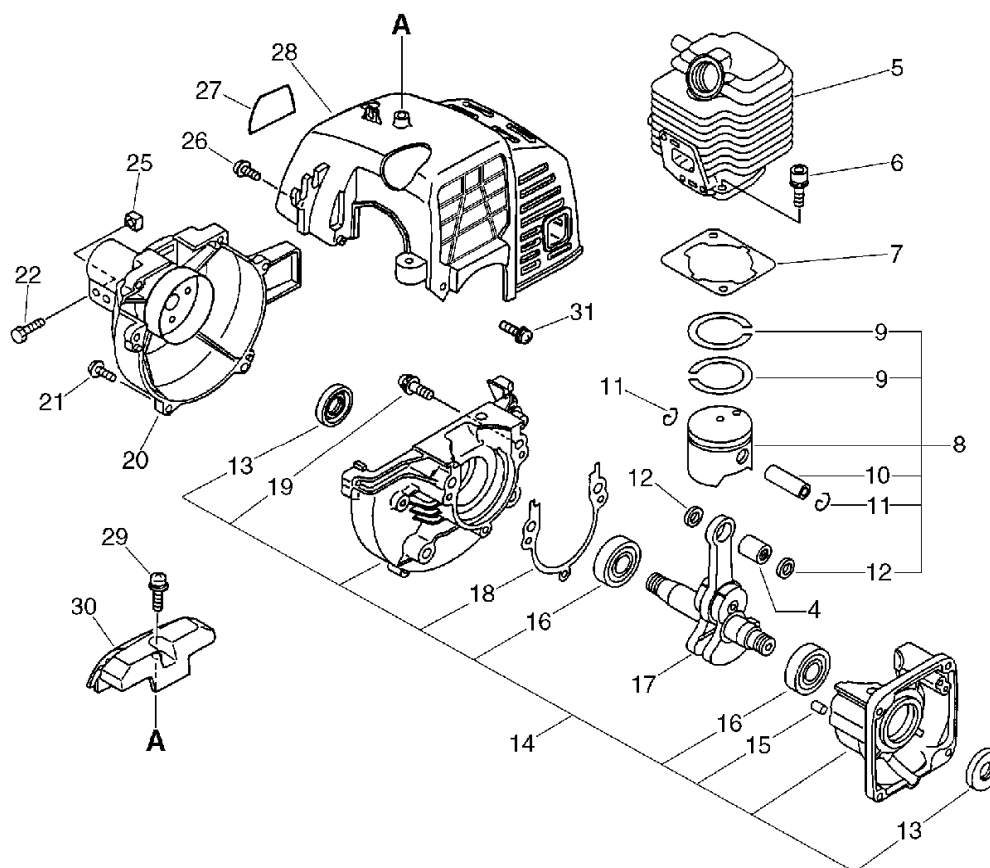
No.1



KEY	LV	PART NUMBER	Q'TY	DESCRIPTION	REMARKS	NOTE1	NOTE2
5		101011-06561	1	CYLINDER		Sus. by 101011-06562	
5		101011-06562	1	CYLINDER			
5		A130-000010	1	CYLINDER		Sus. by A130-000011	
5		A130-000011	1	CYLINDER			
6		900162-05022	2	BOLT, H.S. 5*22	5*22 W,SW		
7		101010-44332	1	GASKET, CYL. BASE			
8		100000-48730	1	PISTON KIT		Sus.by 100000-48732	
8		100000-48731	1	PISTON KIT		Sus.by 100000-48732	
8		100000-48732	1	PISTON KIT			
8		P021-001100	1	PISTON KIT		Sus.by P021-001101	
8		P021-001101	1	PISTON KIT		Next production	
9	+	100011-05330	2	RING, PISTON			
9	+	A101-000000	2	RING,PISTON		Next production	
10	+	100013-11520	1	PIN, PISTON			
11	+	100015-04630	2	CIRCLIP, PISTON PIN			
12	+	100014-11520	2	SPACER, PISTON PIN			
14		100204-52130	1	CRANKCASE KIT		Sus.by 100204-52132	

1. Cylinder, Crankcase, Piston, Fan Cover

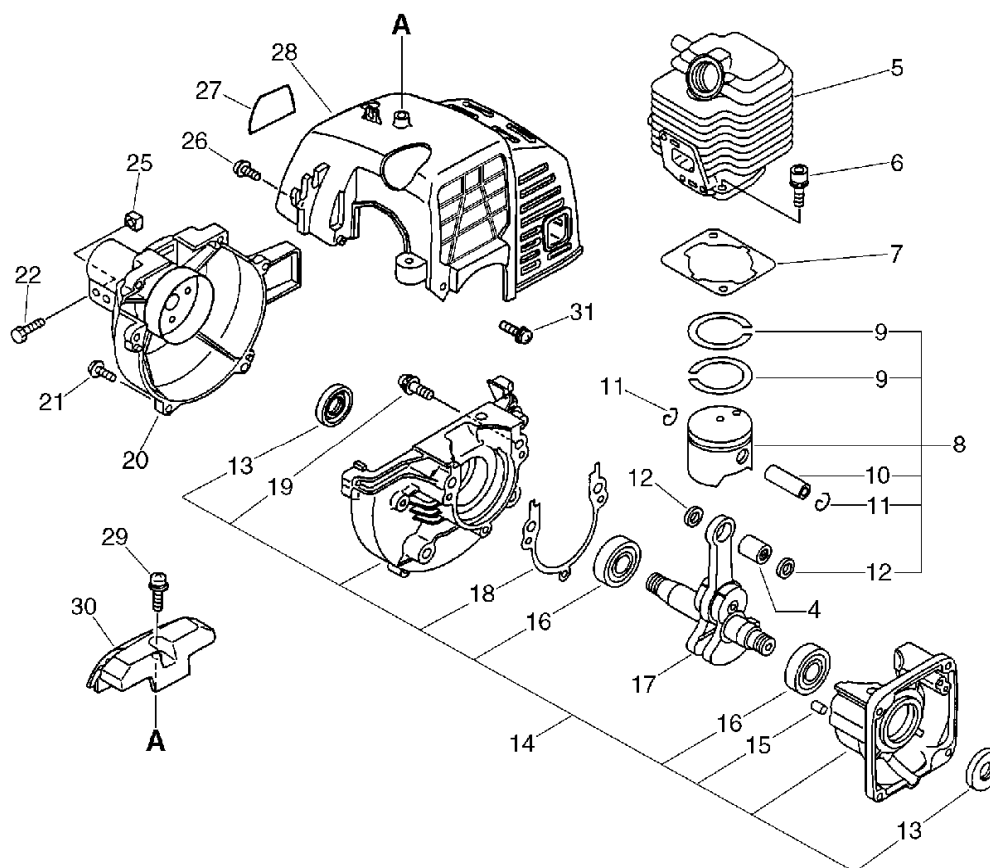
No.1



KEY	LV	PART NUMBER	Q'TY	DESCRIPTION	REMARKS	NOTE1	NOTE2
14		100204-52131	1	CRANKCASE KIT		Sus.by 100204-52132	
14		100204-52132	1	CRANKCASE KIT			
13	+	100212-42030	2	OILSEAL	ISCD12*22*4.5	Sus.by 100212-42031	
13	+	100212-42031	2	OILSEAL	ISCD 12*22*4.5		
15	+	100215-03930	2	PIN, DOWEL			
16	+	900810-36201	2	BEARING, BALL 6201	6201/C3		
18	+	100242-42030	1	GASKET, CRANKCASE			
19	+	900162-05028	3	BOLT, H.S. 5*28	5*28 W,SW		
17		100100-54130	1	CRANKSHAFT ASSY		Sus.by 100100-44732	
17		100100-44732	1	CRANKSHAFT ASSY			
17		A011-000000	1	CRANKSHAFT,ASM		Sus.by A011-000002	
17		A011-000001	1	CRANKSHAFT,ASM		Sus.by A011-000002	
17		A011-000002	1	CRANKSHAFT,ASM		Next production	
4	+	100012-51230	1	BEARING, NEEDLE	8*12*10		
20		101503-56630	1	COVER ASSY, FAN			
21		900162-04018	4	BOLT, H.S. 4*18	4*18 W,SW	Sus. by 900163-04018	
21		900163-04018	4	BOLT HSH			
22		900142-05028	2	BOLT 5*28 (W/W,SW)	5*28		

1. Cylinder, Crankcase, Piston, Fan Cover

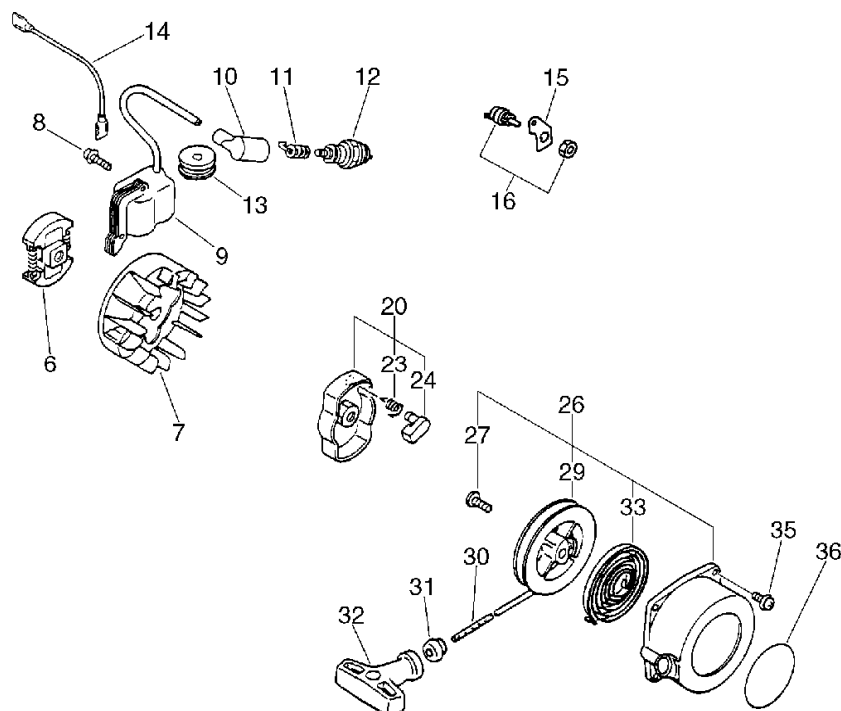
No.1



KEY	LV	PART NUMBER	Q'TY	DESCRIPTION	REMARKS	NOTE1	NOTE2
25		900565-50005	2	NUT 5	5		
26		900162-04016	2	BOLT, H.S. 4*16	4*16 W,SW	Sus. by 900163-04016	
26		900163-04016	2	BOLT HSH			
27		890115-48730	1	LABEL, MODEL			
28		101514-48730	1	COVER, CYLINDER		Sus. by 101514-48731	
28		101514-48731	1	COVER, CYLINDER			
29		900253-05016	1	SCREW	5*16		
30		159912-48630	1	GUARD, TOP			
31		900253-04012	2	SCREW	4*12		

2. Starter, Magneto, Clutch

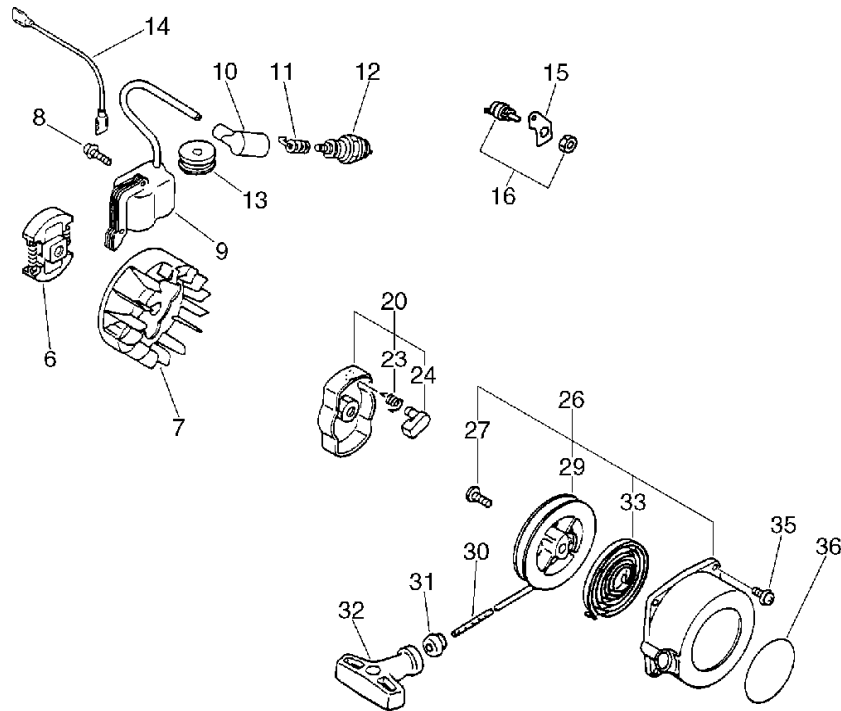
No.2



KEY	LV	PART NUMBER	Q'TY	DESCRIPTION	REMARKS	NOTE1	NOTE2
6		175000-49030	1	CLUTCH ASSY		Sus. by 175000-56830	
6		175000-56830	1	CLUTCH ASSY			
7		156801-44731	1	FLYWHEEL			
7		156801-09660	1	FLYWHEEL		Next production	
8		900162-04022	2	BOLT, H.S. 4*22	4*22 W,SW		
9		156601-52130	1	COIL, IGNITION			
9		156626-09660	1	COIL, IGNITION		Sus. by 156626-52730	
9		156626-52730	1	COIL, IGNITION		Next production	
10		159012-01620	1	CAP, SPARK PLUG			
11		159011-03432	1	COIL, SPARK PLUG			
12		159010-10630	1	PLUG, SPARK (BPM-7A)	BPM-7A	Sus. by 159017-10230	
12		159017-10230	1	PLUG, SPARK (RCJ-7Y)	RCJ-7Y		
13		150112-44330	1	BUSHING			
14		162010-52830	1	LEAD, GROUND			
15		163810-44330	1	BRACKET, SWITCH			
16		163400-03460	1	SWITCH, IGNITION			
20		177202-44330	1	PAWL ASSY, STARTER		Sus. by 177202-44331	
20		177202-44331	1	PAWL ASM., STARTER			
23	+	177234-42030	1	SPRING, RETURN			
24	+	177218-44330	1	PAWL, STARTER	BLACK		

2. Starter, Magneto, Clutch

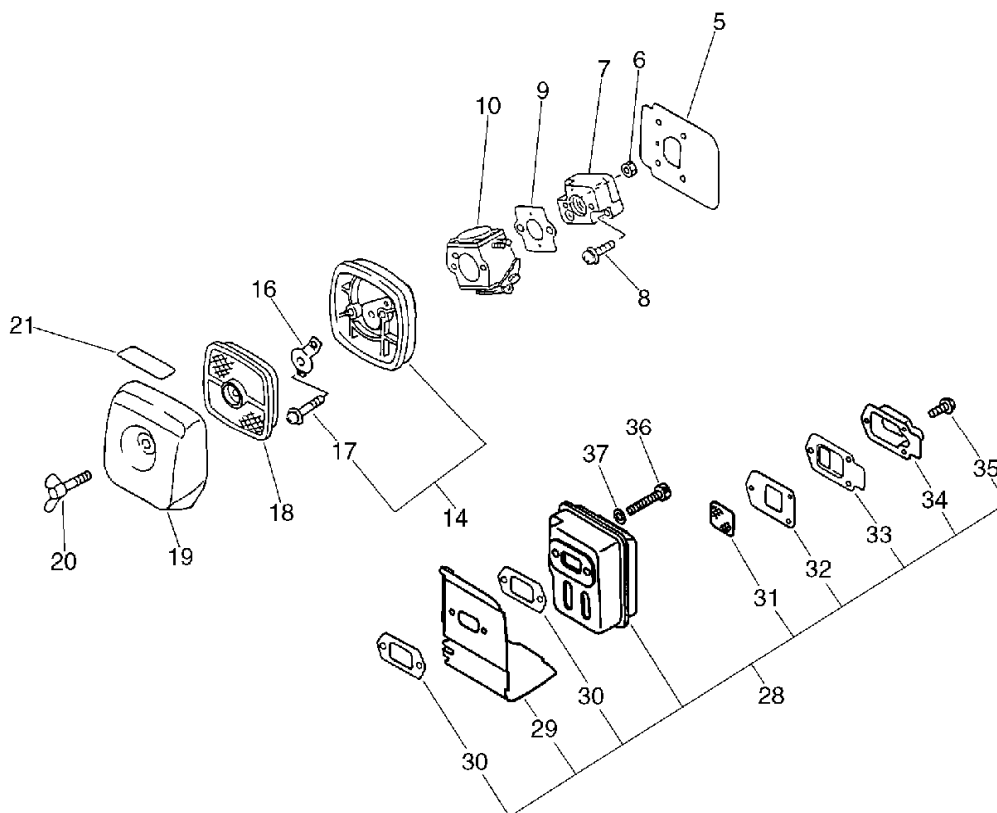
No.2



KEY	LV	PART NUMBER	Q'TY	DESCRIPTION	REMARKS	NOTE1	NOTE2
26		177200-42033	1	STARTER ASSY			
27	+	177236-44330	1	SCREW			
29	+	177215-44430	1	DRUM, STARTER			
30	+	177226-10120	1	ROPE, STARTER	3.0*1000		
31	+	177227-42030	1	GUIDE, ROPE			
32	+	177228-06530	1	GRIP, STARTER			
33	+	177220-42030	1	SPRING, REWIND			
35		900162-04016	2	BOLT, H.S. 4*16	4*16 W,SW	Sus. by 900163-04016	
35		900163-04016	2	BOLT HSH			
36		890118-49130	1	LABEL, ECHO			

3. Air Cleaner, Muffler

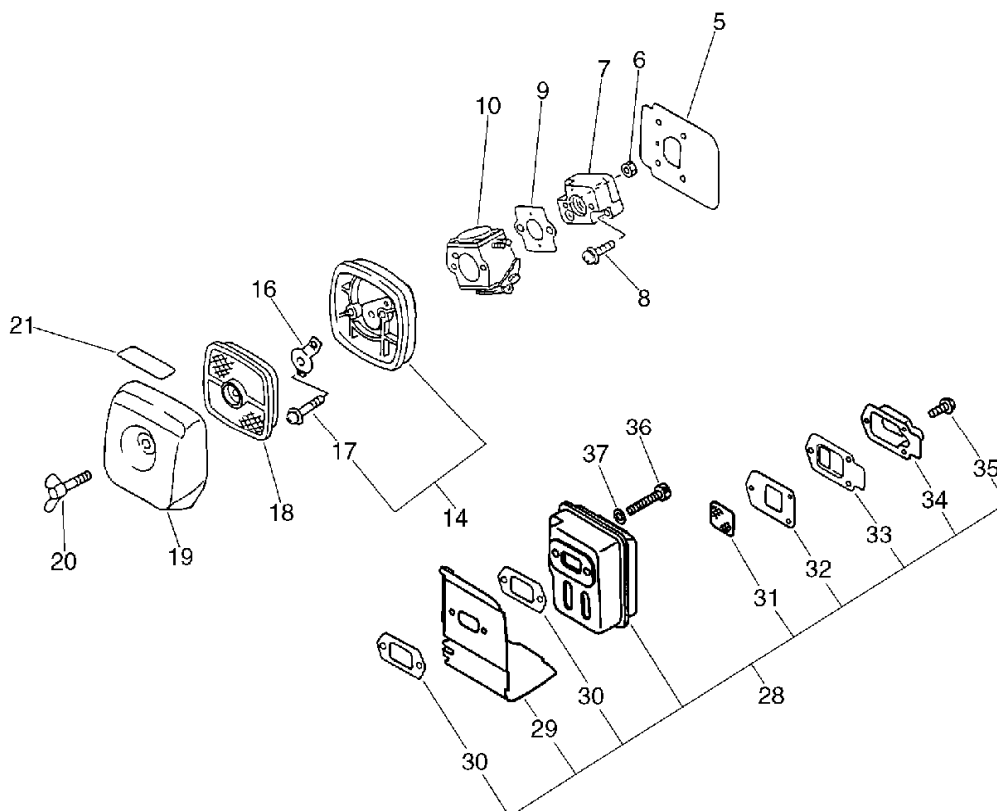
No.3



KEY	LV	PART NUMBER	Q'TY	DESCRIPTION	REMARKS	NOTE1	NOTE2
5		130010-42032	1	GASKET,INTAKE			
6		900500-00005	2	NUT 5	5		
7		130017-42031	1	INSULATOR, INTAKE			
8		900238-05020	2	SCREW 5*20	5*20		
9		130016-42031	1	GASKET, INTAKE		Sus. by V103-000111	
9		V103-000111	1	GASKET,INTAKE		Sus. by 130016-42031	
9		130016-42031	1	GASKET, INTAKE			
10		125200-49030	1	CARBURETOR ASSY	C1U-K47	Sus. by 125200-13314	
10		125200-13311	1	CARBURETOR C1U-K52	C1U-K52	Sus. by 125200-13314	
10		125200-13312	1	CARBURETOR	C1U-K52	Sus. by 125200-13314	
10		125200-13313	1	CARBURETOR	C1U-K52	Sus. by 125200-13314	
10		125200-13314	1	CARBURETOR	C1U-K52		
14		130307-06561	1	CASE, AIR CLEANER		Sus. by P021-002921	
14		P021-002921	1	CASE, AIR CLEANER			
17	+	900242-05065	2	SCREW 5*65	5*65		
16		129011-52730	1	PLATE, PREVENT			
18		130310-54130	1	FILTER, AIR			
19		130313-06563	1	LID, AIR CLEANER			
20		210417-52730	1	BOLT, WING	5*20		

3. Air Cleaner, Muffler

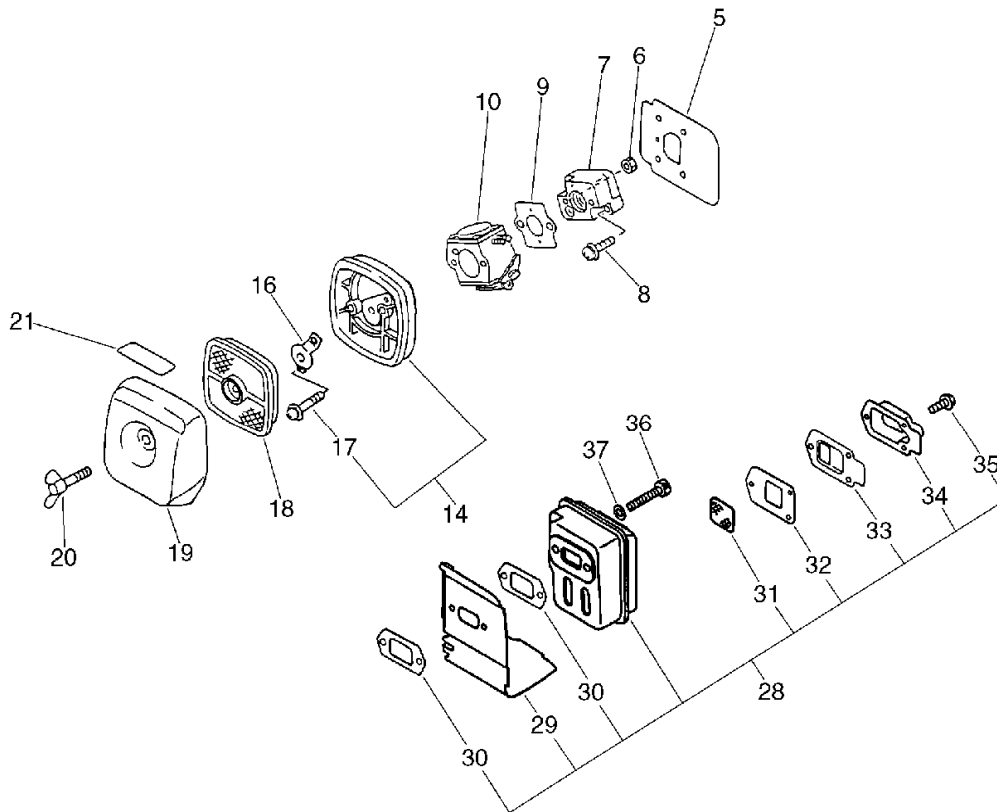
No.3



KEY	LV	PART NUMBER	Q'TY	DESCRIPTION	REMARKS	NOTE1	NOTE2
21		890121-06360	1	LABEL, CHOKE			
28		145800-54130	1	MUFFLER ASSY			
28		P021-000310	1	MUFFLER ASY		Sus.by P021-000314	
28		P021-000311	1	MUFFLER ASY		Sus.by P021-000314	
28		P021-000312	1	MUFFLER ASY		Sus.by P021-000314	
28		P021-000313	1	MUFFLER ASY		Sus.by P021-000314	
28		P021-000314	1	MUFFLER ASY			
29	+	145871-44331	1	COVER, MUFFLER		Sus.by A320-000251	
29	+	145631-42030	1	COVER, MUFFLER		Sus.by A320-000251	
29	+	A320-000250	1	COVER,MUFFLER		Sus.by A320-000251	
29	+	A320-000251	1	COVER,MUFFLER			
30	+	145510-42031	2	GASKET, MUFFLER			
31	+	145862-40630	1	SCREEN, MUFFLER			
32	+	145866-42031	1	GASKET, MUFFLER LID			
32	+	V104-000000	1	GASKET,EXHAUST		Sus.by V104-000003	
32	+	V104-000001	1	GASKET,EXHAUST		Sus.by V104-000003	

3. Air Cleaner, Muffler

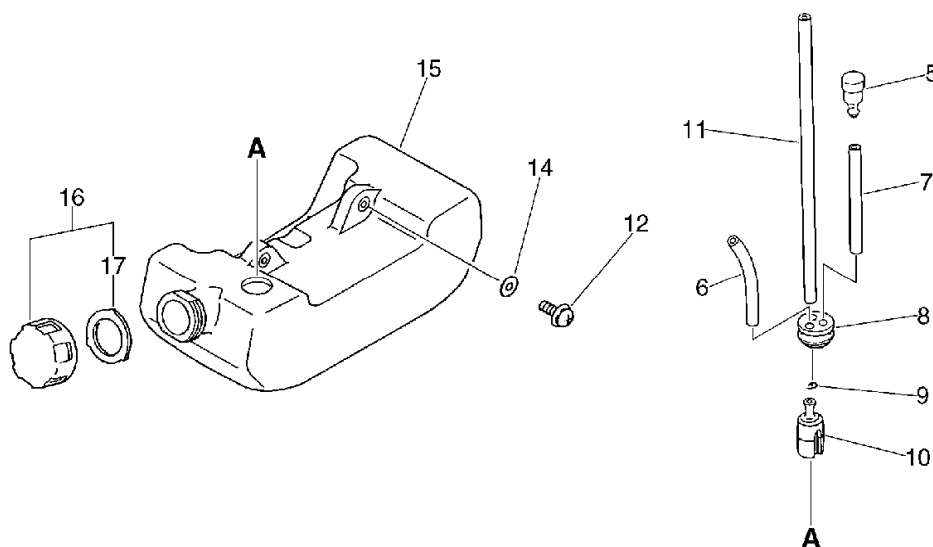
No.3



KEY	LV	PART NUMBER	Q'TY	DESCRIPTION	REMARKS	NOTE1	NOTE2
32	+	V104-000003	1	GASKET,EXHAUST		Next production	
33	+	145876-42030	1	LID, MUFFLER (B)			
34	+	145863-54130	1	FIXTURE, SCREEN			
34	+	A313-000000	1	GUIDE,EXH		Next production	
35	+	900238-04010	3	SCREW 4*10	4*10		
36		900105-05055	2	BOLT, H.S. 5*55	5*55		
37		900600-00005	2	WASHER 5	5		

4. Fuel Tank

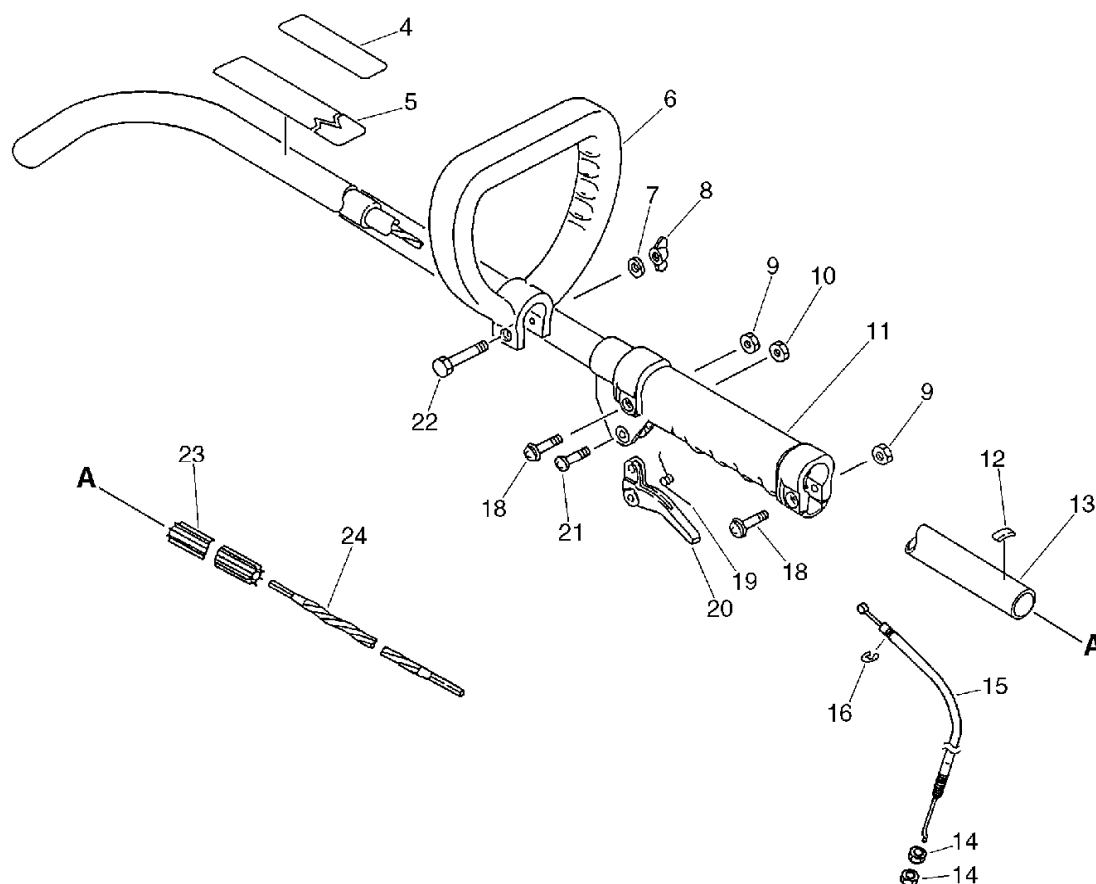
No.4



KEY	LV	PART NUMBER	Q'TY	DESCRIPTION	REMARKS	NOTE1	NOTE2
5		131300-56430	1	VALVE, CHECK		Sus.by A356-000030	
5		A356-000030	1	VALVE,CHECK			
6		132010-56330	1	PIPE 3*6*90	3*6*90 YL		
7		131312-44330	1	PIPE, 3*5*70L	3*5*70L NBR	Sus.by 131312-39130	
7		131312-39130	1	PIPE	3*5*70(+3)NBR	Sus.by V471-001200	
7		V471-001200	1	PIPE	3*5*70 NBR		
8		132115-46730	1	GROMMET, FUEL		Sus.by V137-000030	
8		V137-000030	1	GROMMET,FUEL			
9		132013-09820	1	CLIP	6MM		
10		131205-07320	1	STRAINER, FUEL			
11		132010-13930	1	PIPE, FUEL	3*5*180L NBR	Sus.by V471-001190	
11		V471-001190	1	PIPE	3*5*180 NBR		
12		900238-05016	2	SCREW 5*16	5*16		
14		900603-00005	2	WASHER 5	5.5*12*0.8		
15		131005-46830	1	TANK, FUEL		Sus. by 131005-46831	
15		131005-46831	1	TANK, FUEL			
16		131004-55830	1	CAP ASSY, FUEL TANK			
17	+	131016-55830	1	GASKET, FUEL CAP			

5. Handle

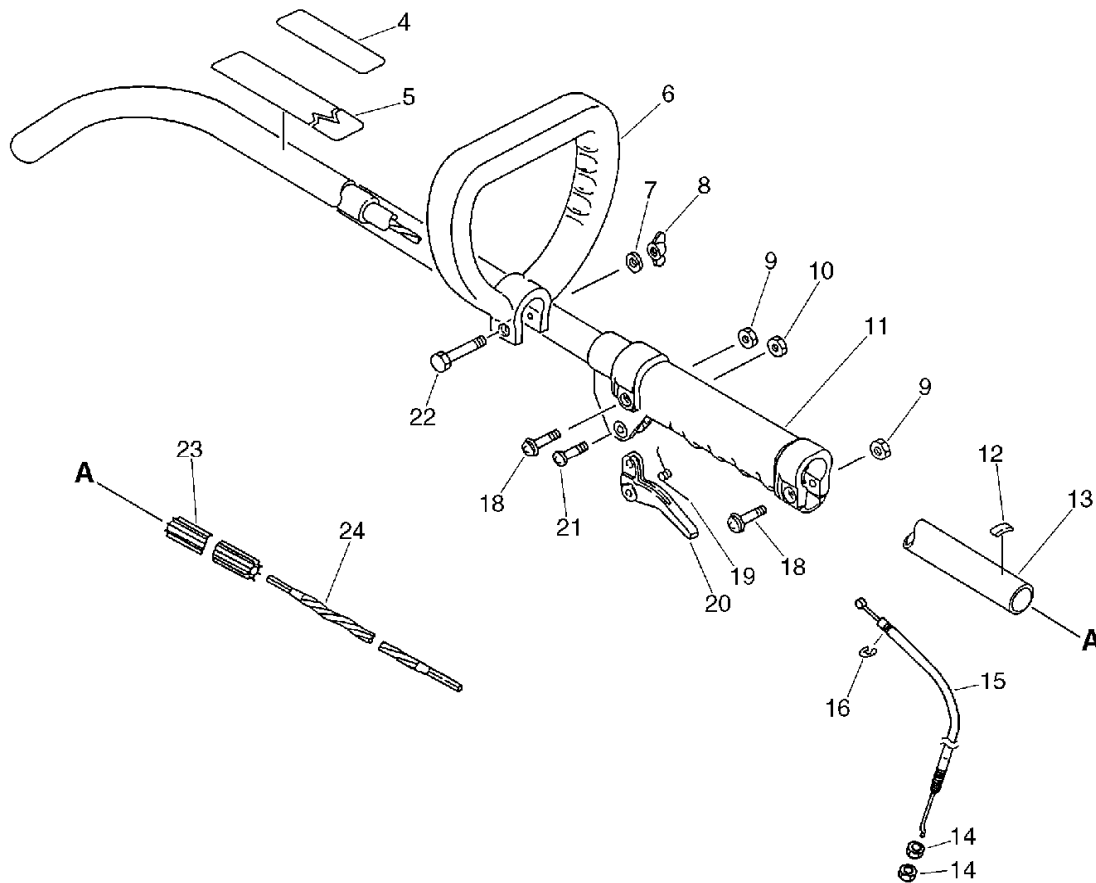
No.5



KEY	LV	PART NUMBER	Q'TY	DESCRIPTION	REMARKS	NOTE1	NOTE2
4		890177-40630	1	LABEL, CAUTION		Sus. by 890228-09560	
4		890228-09560	1	LABEL, CAUTION			
5		890317-44530	1	LABEL, CAUTION			
6		351610-44330	1	HANDLE, FRONT			
7		900035-00008	1	WASHER, CIRCULAR 1/4	1/4		
8		900033-00008	1	NUT, WING 1/4-20	1/4-20		
9		900500-00005	2	NUT 5	5		
10		900560-00005	1	NUT, LOCK 5	5		
11		351213-44330	1	GRIP (BL)			
12		890152-04930	1	LABEL, CAUTION			
13		610206-44330	1	HOUSING ASSY, D.SHFT			
23	+	610217-44330	1	LINER, FLEXIBLE			
14		900502-00006	2	NUT 6 (3N)	3N6		
15		178002-44430	1	WIRE, THROTTLE		Sus by 178001-56730	
15		178001-44430	1	WIRE, THROTTLE		Sus by 178001-56730	
15		178001-56730	1	CABLE, THROTTLE			
16		900700-00004	1	E-RING 4	CE-4	Sus by 900700-00005	
16		900700-00005	1	E-RING 5	CE-5		
18		900240-05025	2	SCREW 5*25	5*25		
19		178043-06930	1	SPRING. THR. RETURN			
20		178010-48731	1	CONTROL, THROTTLE		Sus by C450-00070	

5. Handle

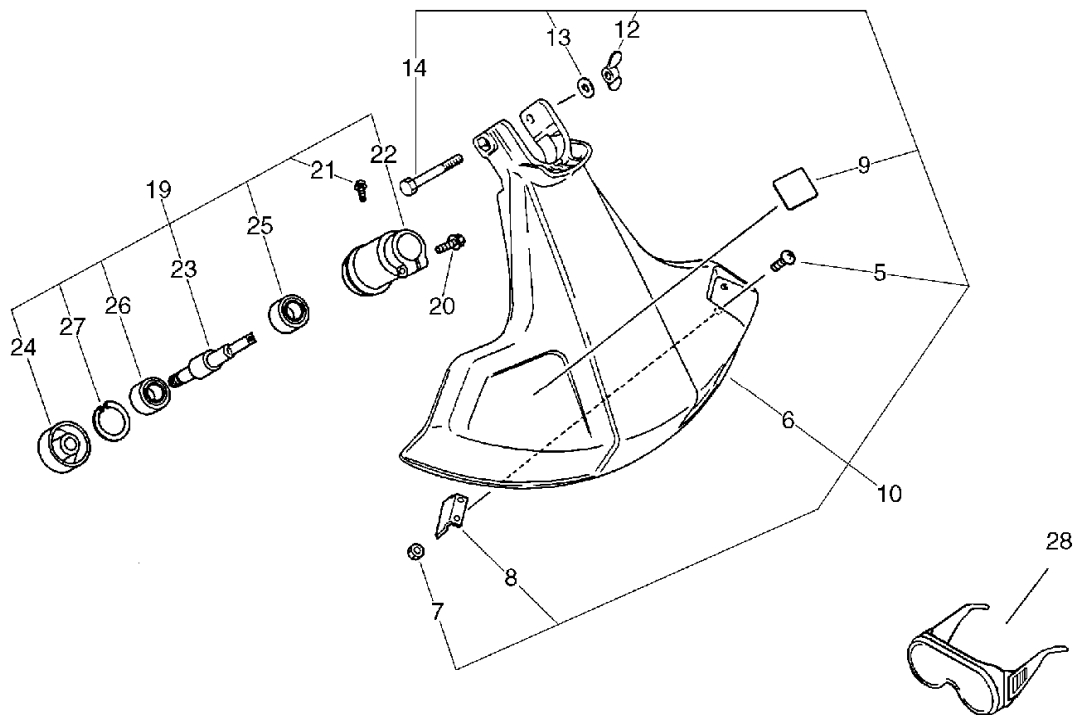
No.5



KEY	LV	PART NUMBER	Q'TY	DESCRIPTION	REMARKS	NOTE1	NOTE2
20		C450-000070	1	TRIGGER, THROTTLE			
21		178110-05330	1	SCREW			
22		900017-08048	1	BOLT 1/4-20*1-1/2	1/4-20*1-1/2		
24		610013-09630	1	SHAFT, FLEXIBLE		Sus by C506-000030	
24		C506-000030	1	SHAFT, FLEXIBLE			

6. Gear Case, Shield, Tool

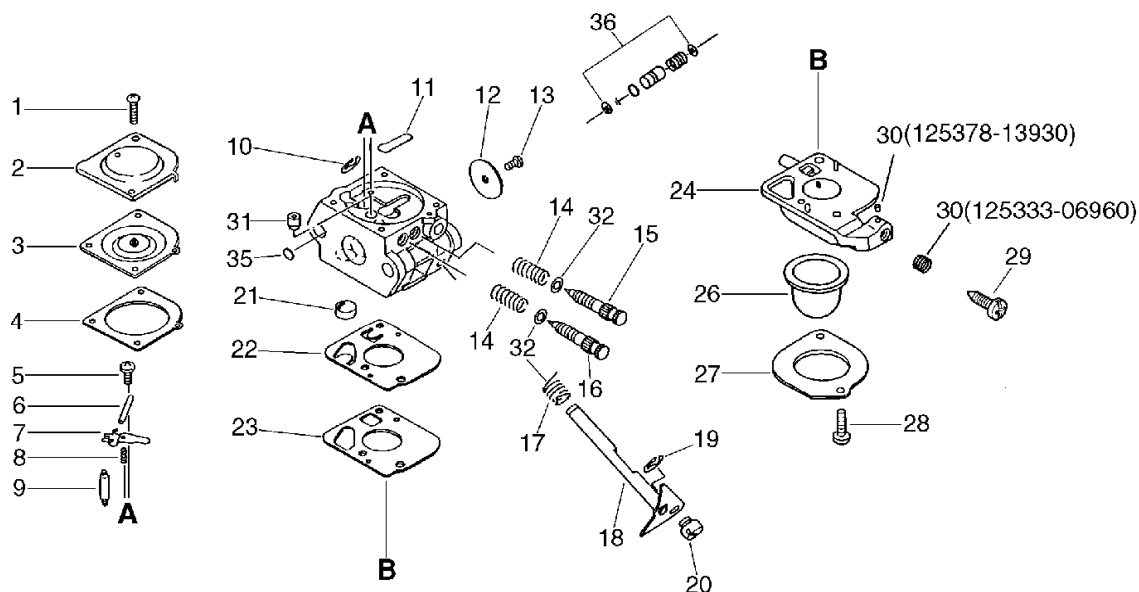
No.6



KEY	LV	PART NUMBER	Q'TY	DESCRIPTION	REMARKS	NOTE1	NOTE2
10		699004-52730	1	SHIELD ASSY			
5	+	900238-05016	2	SCREW 5*16	5*16		
6	+	699010-44330	1	SHIELD (INCH)			
7	+	900500-00005	2	NUT 5	5		
8	+	699016-44330	1	CUTTER			
9	+	890168-44330	1	LABEL, CAUTION			
12	+	900033-00008	1	NUT, WING 1/4-20	1/4-20		
13	+	900035-00008	1	WASHER, CIRCULAR 1/4	1/4		
14	+	900017-08064	1	BOLT 1/4-20*2A	1/4-20*2A		
19		610404-52430	1	HOUSING ASSY			
20	+	900152-05025	1	BOLT 5*25	5*25		
21	+	900242-04010	1	SCREW 4*10	4*10		
22	+	610410-52430	1	CASE, GEAR			
23	+	610310-52430	1	SHAFT, P.T.O.			
24	+	610305-52430	1	PLATE, ADAPTER			
25	+	900810-06200	1	BEARING, BALL 6200	6200		
26	+	900811-06200	1	BEARING, BALL 6200	6200DU(LU)	Sus by 94061-06200	
26	+	94061-06200	1	BEARING, BALL	BB6200 LU,DU		
27	+	900702-00030	1	CIRCLIP 30	CR-30		
28		899580-68730	1	SAFETY GLASSES		Sus by X690-000030	
28		X690-000030	1	GOGGLE			

7. Carburetor

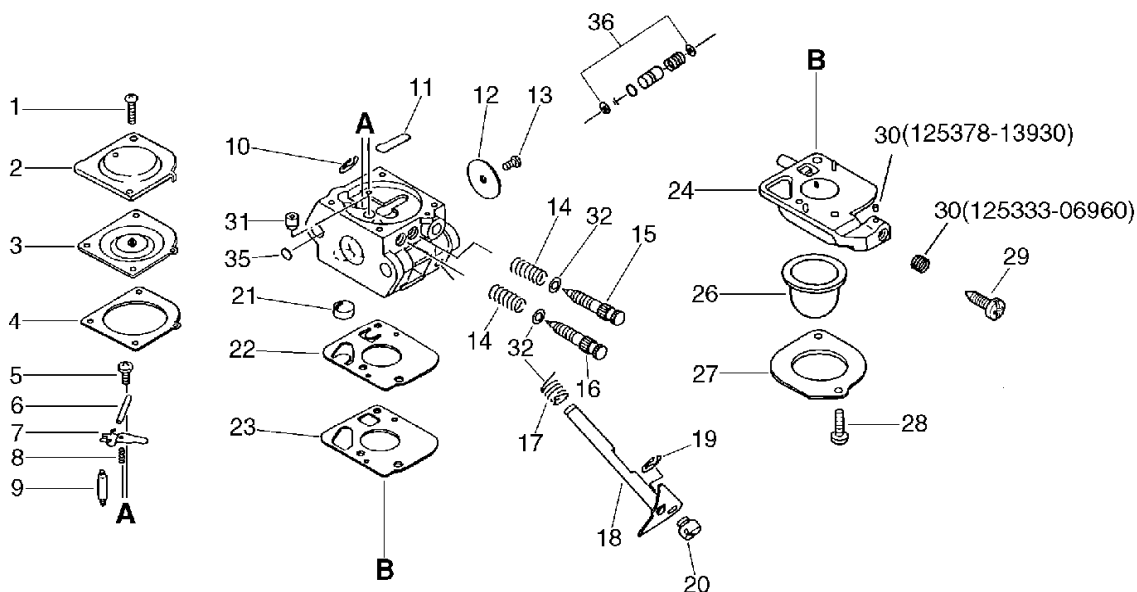
No.7



KEY	LV	PART NUMBER	Q'TY	DESCRIPTION	REMARKS	NOTE1	NOTE2
		125200-49030	1	CARBURETOR ASSY	C1U-K47	Sus by 125200-13314	
		125200-13311	1	CARBURETOR C1U-K52	C1U-K52	Sus by 125200-13314	
		125200-13312	1	CARBURETOR	C1U-K52	Sus by 125200-13314	
		125200-13313	1	CARBURETOR	C1U-K52	Sus by 125200-13314	
		125200-13314	1	CARBURETOR	C1U-K52		
1	+	125344-52130	2	SCREW			
2	+	125342-13210	1	COVER, DIAPHRAGM			
3	+	125341-49030	1	DIAPHRAGM			
4	+	125340-51030	1	GASKET, DIAPHRAGM			
5	+	125339-42030	1	SCREW			
6	+	125338-13930	1	PIN, METERING ARM			
7	+	125323-42030	1	LEVER, METERING			
8	+	125322-42030	1	SPRING, COIL			
9	+	125337-06960	1	VALVE, INLET NEEDLE			
10	+	125327-15130	1	CLIP			
11	+	125345-15130	1	PLUG, WELCH			
12	+	125316-49030	1	VALVE, THROTTLE			
13	+	125314-13930	1	SCREW	3*4		
14	+	125319-42030	2	SPRING, COIL		Can be used on the 125200-49030	

7. Carburetor

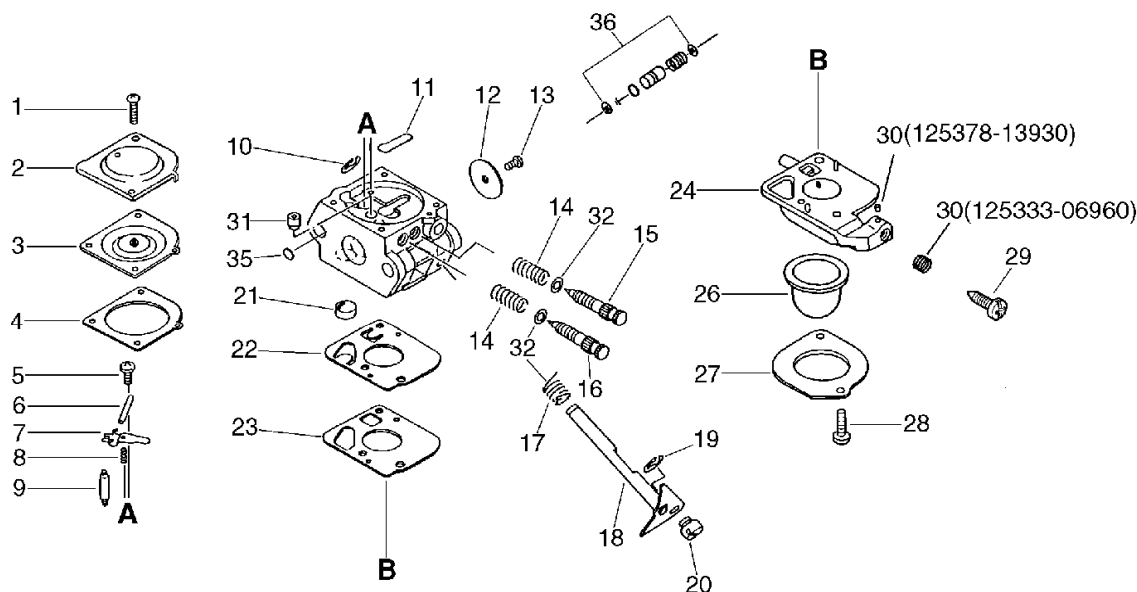
No.7



KEY	LV	PART NUMBER	Q'TY	DESCRIPTION	REMARKS	NOTE1	NOTE2
15	+	125318-07360	1	NEEDLE, IDLE		Can be used on the 125200-49030	
15	+	125318-13120	1	SCREW, IDLE NEEDLE		Can be used on the 125200-13311 and 125200-13312	
16	+	125320-07360	1	NEEDLE, HIGH SPEED		Can be used on the 125200-49030	
16	+	125320-13310	1	NEEDLE, HIGH SPEED		Can be used on the 125200-13311 and 125200-13312	
17	+	125313-42030	1	SPRING, THRT. RETURN			
18	+	125317-49030	1	SHAFT, THROTTLE		Can be used on the 125200-49030	
18	+	125317-13310	1	SHAFT, THROTTLE		Can be used on the 125200-13311 and 125200-13312	
19	+	125327-13930	1	CLIP			
20	+	125372-42030	1	SWIVEL			
21	+	125326-42030	1	STRAINER			

7. Carburetor

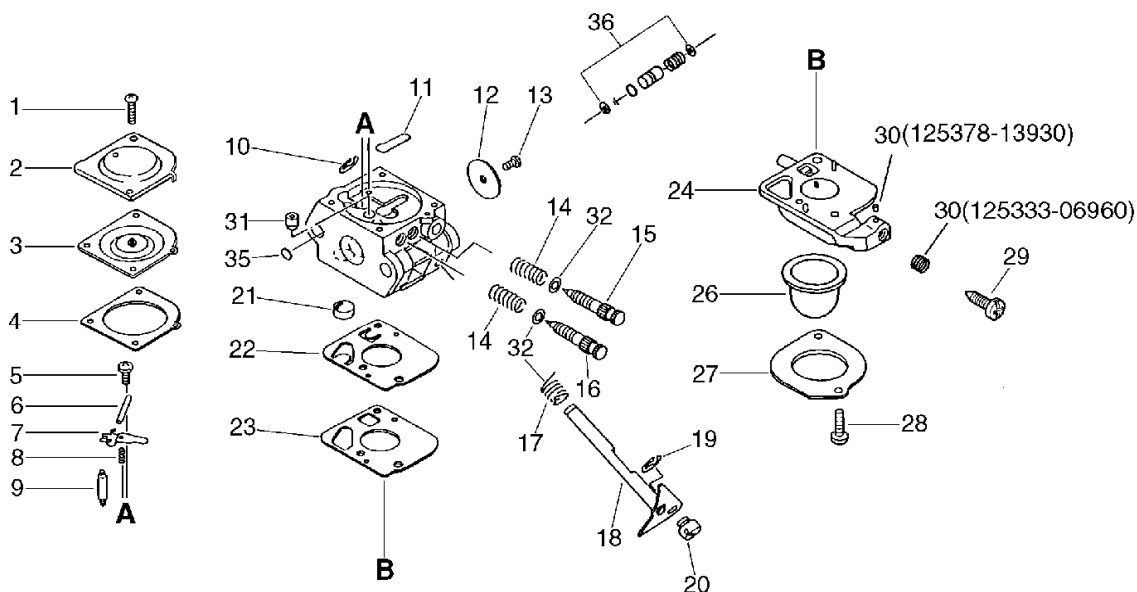
No.7



KEY	LV	PART NUMBER	Q'TY	DESCRIPTION	REMARKS	NOTE1	NOTE2
22	+	125312-49030	1	DIAPHRAGM, FUEL PUMP		Can be used on the 125200-49030	
22	+	125312-12820	1	DIAPHRAGM, FUEL PUMP		Can be used on the 125200-13311 and 125200-13312	
23	+	125325-13310	1	GASKET, PUMP			
24	+	125383-13310	1	BASE, PRIMER		Sus. by P005-000590	
24	+	P005-000590	1	BASE,ASY PRIMER			
26	+	125381-08660	1	PUMP, PRIMING			
27	+	125363-11610	1	RING			
28	+	125310-11610	2	SCREW			
29	+	125334-13930	1	SCREW, IDLE ADJUST		Sr/Nr 240442 and before	
29	+	125334-06960	1	SCREW, THROTTLE ADJUST		Sr/Nr 240443 and after	
30	+	125378-13930	1	PIECE, FRICTION		Sr/Nr 240442 and before	
30	+	125333-06960	1	SPRING, IDLE ADJUSTER		Sr/Nr 240443 and after	
31	+	125376-49030	1	NOZZLE, CHACK VALVE		Can be used on the 125200-49030	

7. Carburetor

No.7



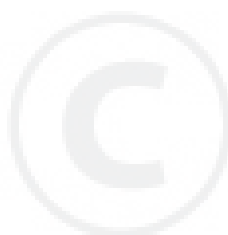
KEY	LV	PART NUMBER	Q'TY	DESCRIPTION	REMARKS	NOTE1	NOTE2
31	+	125376-13210	1	NOZZLE, CHECK VALVE		Can be used on the 125200-13311 and 125200-13312	
32	+	125353-20560	2	WASHER		Can be used on the 125200-49030	
35	+	125345-15130	1	PLUG, WELCH		Can be used on the 125200-49030	
35	+	125345-13310	1	PLUG, WELCH		Can be used on the 125200-13311 and 125200-13312	
36	+	125306-13310	1	PUMP KIT, ACC.		Can be used on the 125200-13311	
36	+	125306-13120	1	PUMP KIT, ACC.		Sr/Nr 240443 and after	
		125303-13310	1	DIAPHRAGM/GASKET KIT			
		125300-13310	1	REBUILD KIT			

8. Repair Kit

KEY	LV	PART NUMBER	Q'TY	DESCRIPTION	REMARKS	NOTE1	NOTE2
		889000-42031	1	GASKET KIT		Sus. by 889000-42035	
		889000-42035	1	GASKET KIT			
	+	101010-44332	1	GASKET, CYL. BASE			
	+	100242-42030	1	GASKET, CRANKCASE			
	+	130016-42031	1	GASKET, INTAKE			
	+	130010-42032	1	GASKET, INTAKE			
	+	145866-42031	1	GASKET, MUFFLER LID			
	+	145510-42031	2	GASKET, MUFFLER		Sus. by V104-000160	
	+	V104-000160	2	GASKET, EXHAUST			
		125303-13310	1	DIAPHRAGM/GASKET KIT			
	+	125312-42030	1	DIAPHRAGM, FUEL PUMP			
7-23	+	125325-13310	1	GASKET, PUMP			
7-3	+	125341-49030	1	DIAPHRAGM			
7-4	+	125340-51030	1	GASKET, DIAPHRAGM			
		125300-13310	1	REBUILD KIT			
	+	125312-42030	1	DIAPHRAGM, FUEL PUMP			
7-23	+	125325-13310	1	GASKET, PUMP			
7-9	+	125337-06960	1	VALVE, INLET NEEDLE			
7-8	+	125322-42030	1	SPRING, COIL			
7-7	+	125323-42030	1	LEVER, METERING			
7-6	+	125338-13930	1	PIN, METERING ARM			
7-3	+	125341-49030	1	DIAPHRAGM			
7-4	+	125340-51030	1	GASKET, DIAPHRAGM			
7-21	+	125326-42030	1	STRAINER			

8. Repair Kit

KEY	LV	PART NUMBER	Q'TY	DESCRIPTION	REMARKS	NOTE1	NOTE2
7-11	+	125345-15130	1	PLUG, WELCH			



Index

Patrs Number	Key No.	Patrs Number	Key No.	Patrs Number	Key No.
100000-48730	1 - 8	125317-13310	7 - 18	130016-42031	3 - 9
100000-48731	1 - 8	125317-49030	7 - 18	130016-42031	3 - 9
100000-48732	1 - 8	125318-07360	7 - 15	130016-42031	8 -
100011-05330	1 - 9	125318-13120	7 - 15	130017-42031	3 - 7
100012-51230	1 - 4	125319-42030	7 - 14	130307-06561	3 - 14
100013-11520	1 - 10	125320-07360	7 - 16	130310-54130	3 - 18
100014-11520	1 - 12	125320-13310	7 - 16	130313-06563	3 - 19
100015-04630	1 - 11	125322-42030	7 - 8	131004-55830	4 - 16
100100-44732	1 - 17	125322-42030	8 - 7-8	131005-46830	4 - 15
100100-54130	1 - 17	125323-42030	7 - 7	131005-46831	4 - 15
100204-52130	1 - 14	125323-42030	8 - 7-7	131016-55830	4 - 17
100204-52131	1 - 14	125325-13310	7 - 23	131205-07320	4 - 10
100204-52132	1 - 14	125325-13310	8 - 7-23	131300-56430	4 - 5
100212-42030	1 - 13	125325-13310	8 - 7-23	131312-39130	4 - 7
100212-42031	1 - 13	125326-42030	7 - 21	131312-44330	4 - 7
100215-03930	1 - 15	125326-42030	8 - 7-21	132010-13930	4 - 11
100242-42030	1 - 18	125327-13930	7 - 19	132010-56330	4 - 6
100242-42030	8 -	125327-15130	7 - 10	132013-09820	4 - 9
101010-44332	1 - 7	125333-06960	7 - 30	132115-46730	4 - 8
101010-44332	8 -	125334-06960	7 - 29	145510-42031	3 - 30
101011-06561	1 - 5	125334-13930	7 - 29	145510-42031	8 -
101011-06562	1 - 5	125337-06960	7 - 9	145631-42030	3 - 29
101503-56630	1 - 20	125337-06960	8 - 7-9	145800-54130	3 - 28
101514-48730	1 - 28	125338-13930	7 - 6	145862-40630	3 - 31
101514-48731	1 - 28	125338-13930	8 - 7-6	145863-54130	3 - 34
125200-13311	3 - 10	125339-42030	7 - 5	145866-42031	3 - 32
125200-13311	7 -	125340-51030	7 - 4	145866-42031	8 -
125200-13312	3 - 10	125340-51030	8 - 7-4	145871-44331	3 - 29
125200-13312	7 -	125340-51030	8 - 7-4	145876-42030	3 - 33
125200-13313	3 - 10	125341-49030	7 - 3	150112-44330	2 - 13
125200-13313	7 -	125341-49030	8 - 7-3	156601-52130	2 - 9
125200-13314	3 - 10	125341-49030	8 - 7-3	156626-09660	2 - 9
125200-13314	7 -	125342-13210	7 - 2	156626-52730	2 - 9
125200-49030	3 - 10	125344-52130	7 - 1	156801-09660	2 - 7
125200-49030	7 -	125345-13310	7 - 35	156801-44731	2 - 7
125300-13310	7 -	125345-15130	7 - 11	159010-10630	2 - 12
125300-13310	8 -	125345-15130	7 - 35	159011-03432	2 - 11
125303-13310	7 -	125345-15130	8 - 7-11	159012-01620	2 - 10
125303-13310	8 -	125353-20560	7 - 32	159017-10230	2 - 12
125306-13120	7 - 36	125363-11610	7 - 27	159912-48630	1 - 30
125306-13310	7 - 36	125372-42030	7 - 20	162010-52830	2 - 14
125310-11610	7 - 28	125376-13210	7 - 31	163400-03460	2 - 16
125312-12820	7 - 22	125376-49030	7 - 31	163810-44330	2 - 15
125312-42030	8 -	125378-13930	7 - 30	175000-49030	2 - 6
125312-42030	8 -	125381-08660	7 - 26	175000-56830	2 - 6
125312-49030	7 - 22	125383-13310	7 - 24	177200-42033	2 - 26
125313-42030	7 - 17	129011-52730	3 - 16	177202-44330	2 - 20
125314-13930	7 - 13	130010-42032	3 - 5	177202-44331	2 - 20
125316-49030	7 - 12	130010-42032	8 -	177215-44430	2 - 29

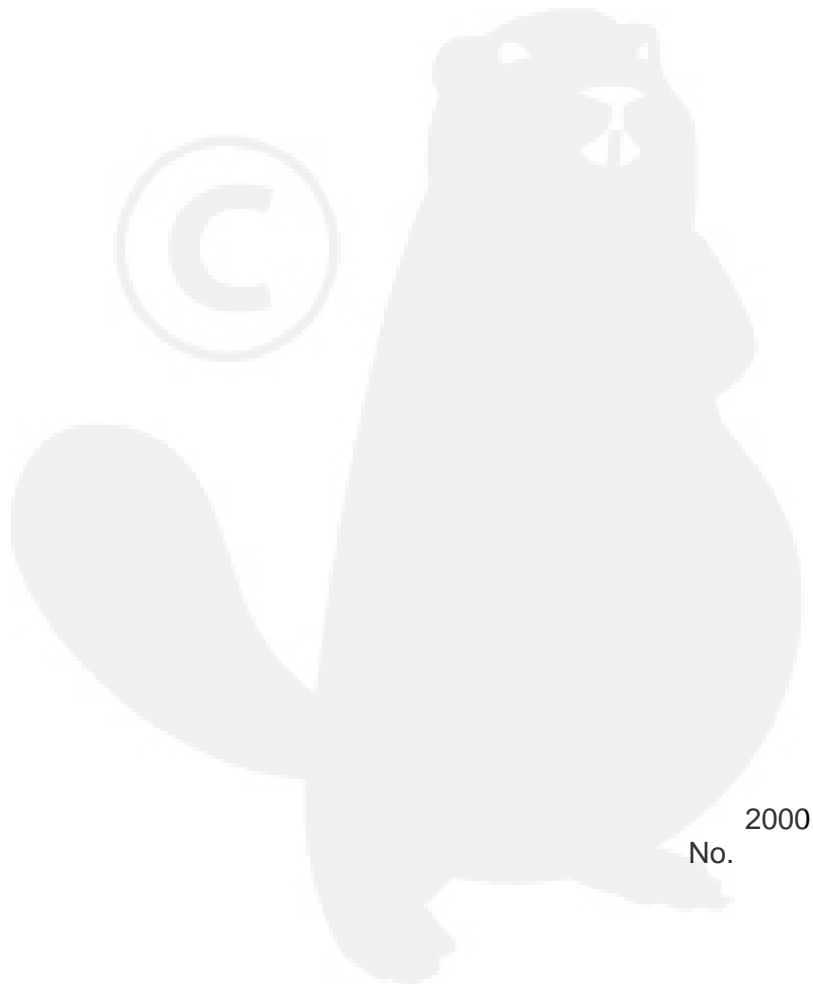
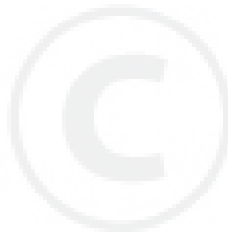
Index

Patrs Number	Key No.	Patrs Number	Key No.	Patrs Number	Key No.
177218-44330	2 - 24	900162-04022	2 - 8	P021-001101	1 - 8
177220-42030	2 - 33	900162-05022	1 - 6	P021-002921	3 - 14
177226-10120	2 - 30	900162-05028	1 - 19	V103-000111	3 - 9
177227-42030	2 - 31	900163-04016	1 - 26	V104-000000	3 - 32
177228-06530	2 - 32	900163-04016	2 - 35	V104-000001	3 - 32
177234-42030	2 - 23	900163-04018	1 - 21	V104-000003	3 - 32
177236-44330	2 - 27	900238-04010	3 - 35	V104-000160	8 -
178001-44430	5 - 15	900238-05016	4 - 12	V137-000030	4 - 8
178001-56730	5 - 15	900238-05016	6 - 5	V471-001190	4 - 11
178002-44430	5 - 15	900238-05020	3 - 8	V471-001200	4 - 7
178010-48731	5 - 20	900240-05025	5 - 18	X690-000030	6 - 28
178043-06930	5 - 19	900242-04010	6 - 21		
178110-05330	5 - 21	900242-05065	3 - 17		
210417-52730	3 - 20	900253-04012	1 - 31		
351213-44330	5 - 11	900253-05016	1 - 29		
351610-44330	5 - 6	900500-00005	3 - 6		
610013-09630	5 - 24	900500-00005	5 - 9		
610206-44330	5 - 13	900500-00005	6 - 7		
610217-44330	5 - 23	900502-00006	5 - 14		
610305-52430	6 - 24	900560-00005	5 - 10		
610310-52430	6 - 23	900565-50005	1 - 25		
610404-52430	6 - 19	900600-00005	3 - 37		
610410-52430	6 - 22	900603-00005	4 - 14		
699004-52730	6 - 10	900700-00004	5 - 16		
699010-44330	6 - 6	900700-00005	5 - 16		
699016-44330	6 - 8	900702-00030	6 - 27		
889000-42031	8 -	900810-06200	6 - 25		
889000-42035	8 -	900810-36201	1 - 16		
890115-48730	1 - 27	900811-06200	6 - 26		
890118-49130	2 - 36	94061-06200	6 - 26		
890121-06360	3 - 21	A011-000000	1 - 17		
890152-04930	5 - 12	A011-000001	1 - 17		
890168-44330	6 - 9	A011-000002	1 - 17		
890177-40630	5 - 4	A101-000000	1 - 9		
890228-09560	5 - 4	A130-000010	1 - 5		
890317-44530	5 - 5	A130-000011	1 - 5		
899580-68730	6 - 28	A313-000000	3 - 34		
900017-08048	5 - 22	A320-000250	3 - 29		
900017-08064	6 - 14	A320-000251	3 - 29		
900033-00008	5 - 8	A356-000030	4 - 5		
900033-00008	6 - 12	C450-000070	5 - 20		
900035-00008	5 - 7	C506-000030	5 - 24		
900035-00008	6 - 13	P005-000590	7 - 24		
900105-05055	3 - 36	P021-000310	3 - 28		
900142-05028	1 - 22	P021-000311	3 - 28		
900152-05025	6 - 20	P021-000312	3 - 28		
900162-04016	1 - 26	P021-000313	3 - 28		
900162-04016	2 - 35	P021-000314	3 - 28		
900162-04018	1 - 21	P021-001100	1 - 8		

YAMABIKO CORPORATION

7-2 SUEHIROCHO 1-CHOME, OHME, TOKYO 198-8760, JAPAN
PHONE: 81-428-32-6118. FAX: 81-428-32-6145.

ECHO®



2000
No.