

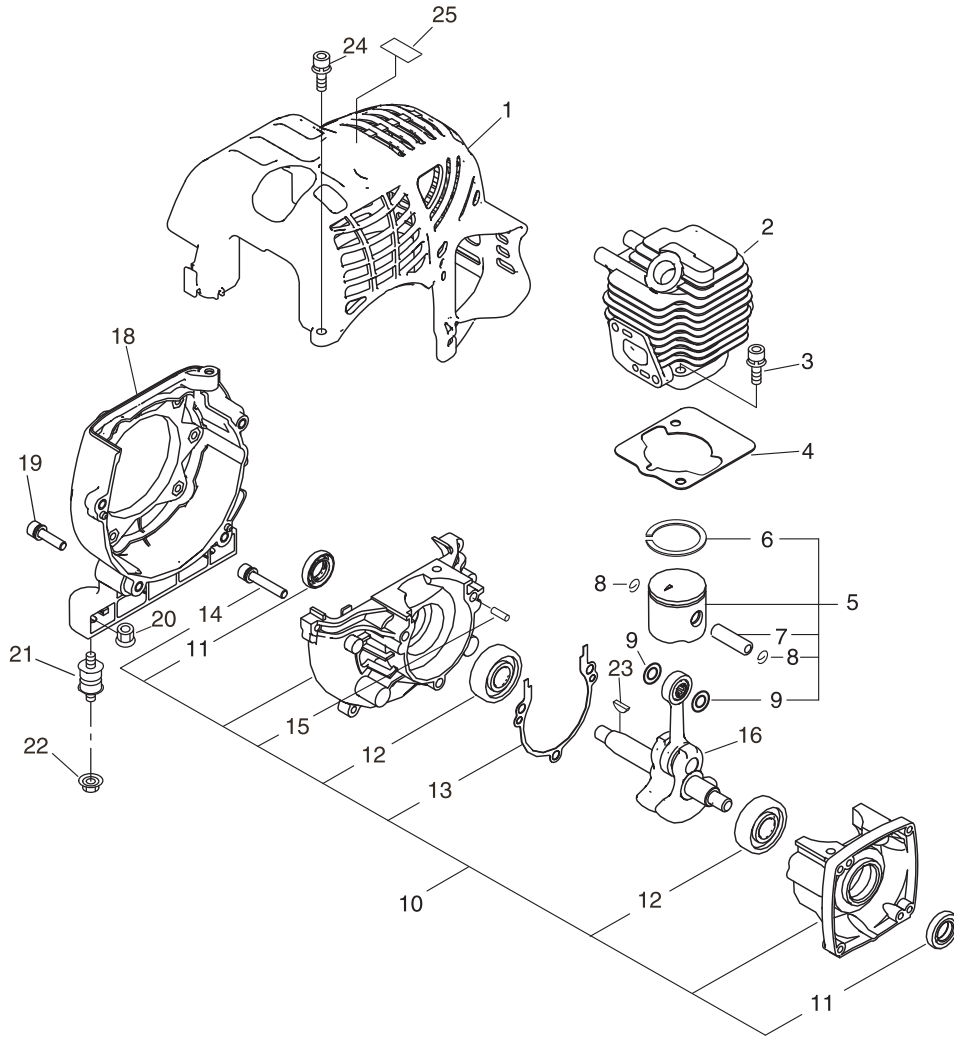


**PARTS CATALOGUE**  
**POWER SPRAYER**  
**SHR-170SI**



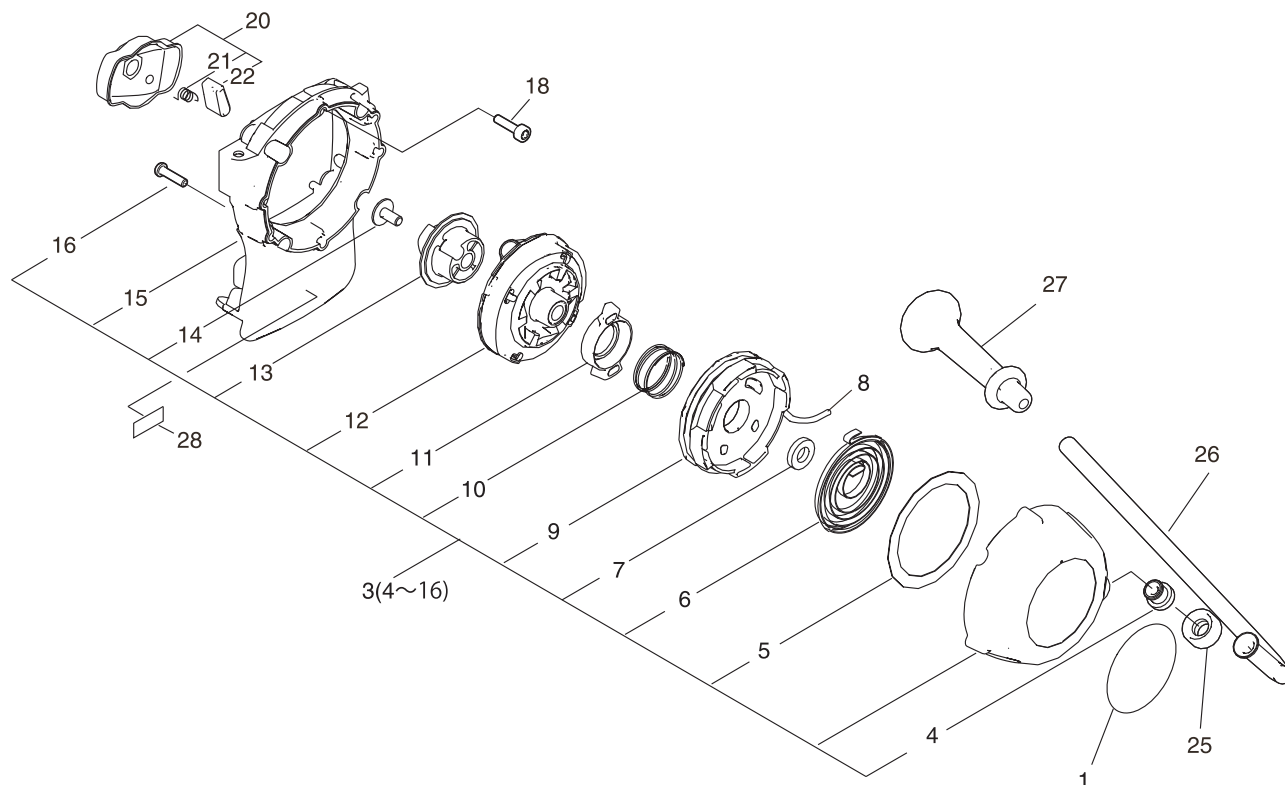
P014-001280-11Cb

# SHR-170SI 1 Cylinder, Crankcase, Piston, Fan Cover



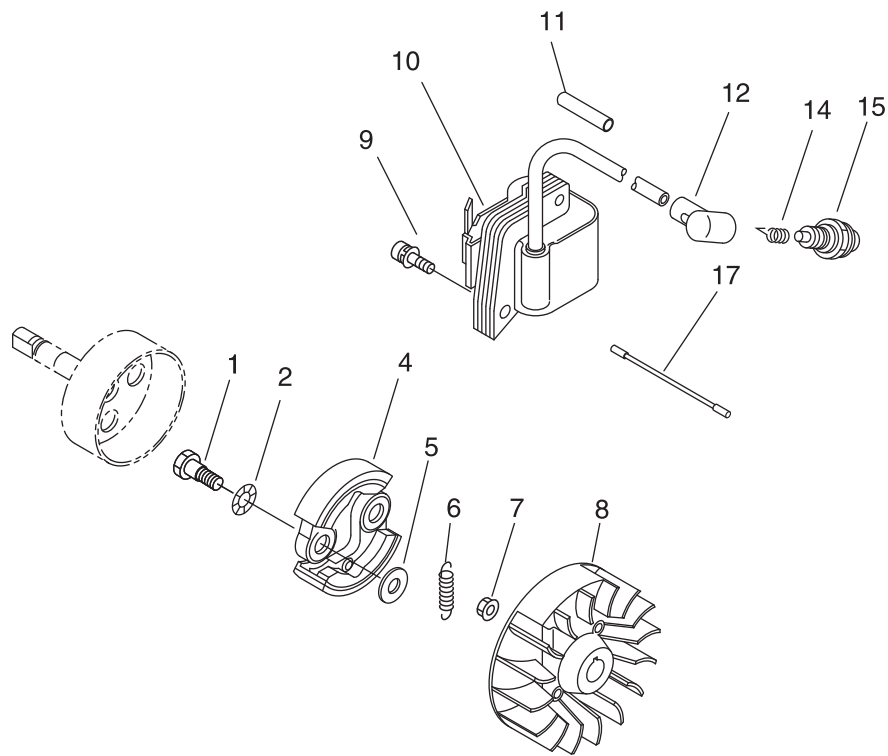
KEY	LV	PART NUMBER	Q'TY	DESCRIPTION	REMARKS
1		A160-002391	1	COVER,CYLINDER	
2		A130-000540	1	CYLINDER	
3		900162-05022	2	BOLT, H.S. 5*22	
4		V100-000661	1	GASKET,CYL	
5		P021-007712	1	PISTON KIT	
6	+	A101-000090	1	RING,PISTON	
7	+	100013-11520	1	PIN,PISTON	
8	+	100015-04630	2	CIRCLIP, PISTON PIN	
9	+	100014-11520	2	SPACER, PISTON PIN	
10		100204-52133	1	CRANKCASE KIT	
11	+	100212-42031	2	OILSEAL	
12	+	94035-36201	2	BEARING BALL	
13	+	100242-42030	1	GASKET, CRANKCASE	
14	+	900162-05028	3	BOLT, H.S. 5*28	
15	+	100215-03930	2	PIN, DOWEL	
16		A011-000101	1	CRANKSHAFT,ASM	
18		A172-001880	1	COVER,FAN	
19		900242-04016	4	SCREW 4*16	
20		900515-00006	2	NUT, FLANGE 6	
21		V402-000010	2	CUSHION,6	
22		250916-06210	2	NUT	
23		100142-12330	1	KEY, WOODRUFF	
24		900253-05016	2	SCREW	
25		X505-002310	1	LABEL,CAUTION	

# SHR-170SI 2 Starter



KEY	LV	PART NUMBER	Q'TY	DESCRIPTION	REMARKS
1		X502-000330	1	LABEL,ECHO	
3		A051-002290	1	STARTER,RECOIL ASY	
4	+	177227-42030	1	GUIDE, ROPE	
5	+	A503-000020	1	PLATE,STARTER	
6	+	A504-000001	1	SPRING,SPIRAL	
7	+	V355-000080	1	COLLAR,8	
8	+	177226-55030	1	ROPE, STARTER	
9	+	A506-000060	1	REEL,ROPE	
10	+	V450-000440	1	SPRING,COMPRESSION	
11	+	A514-000060	1	PAWL	
12	+	P021-011130	1	POWER SPRING ASY	
13	+	A520-000060	1	PULLEY,STARTING	
14	+	V253-000060	1	SCREW,5	
15	+	V376-001770	1	SPACER	
16	+	900253-04016	3	SCREW 4*16	
18		900242-04016	4	SCREW 4*16	
20		177202-12220	1	PAWL ASSY, STARTER	
21	+	177234-12220	2	SPRING, PAWL	
22	+	177218-44330	2	PAWL, STARTER	
25		V420-000630	1	CUSHION	
26		A510-000190	1	GUIDE, ROPE	
27		A511-000050	1	GRIP,STARTER	
28		X505-000620	1	LABEL,CAUTION	

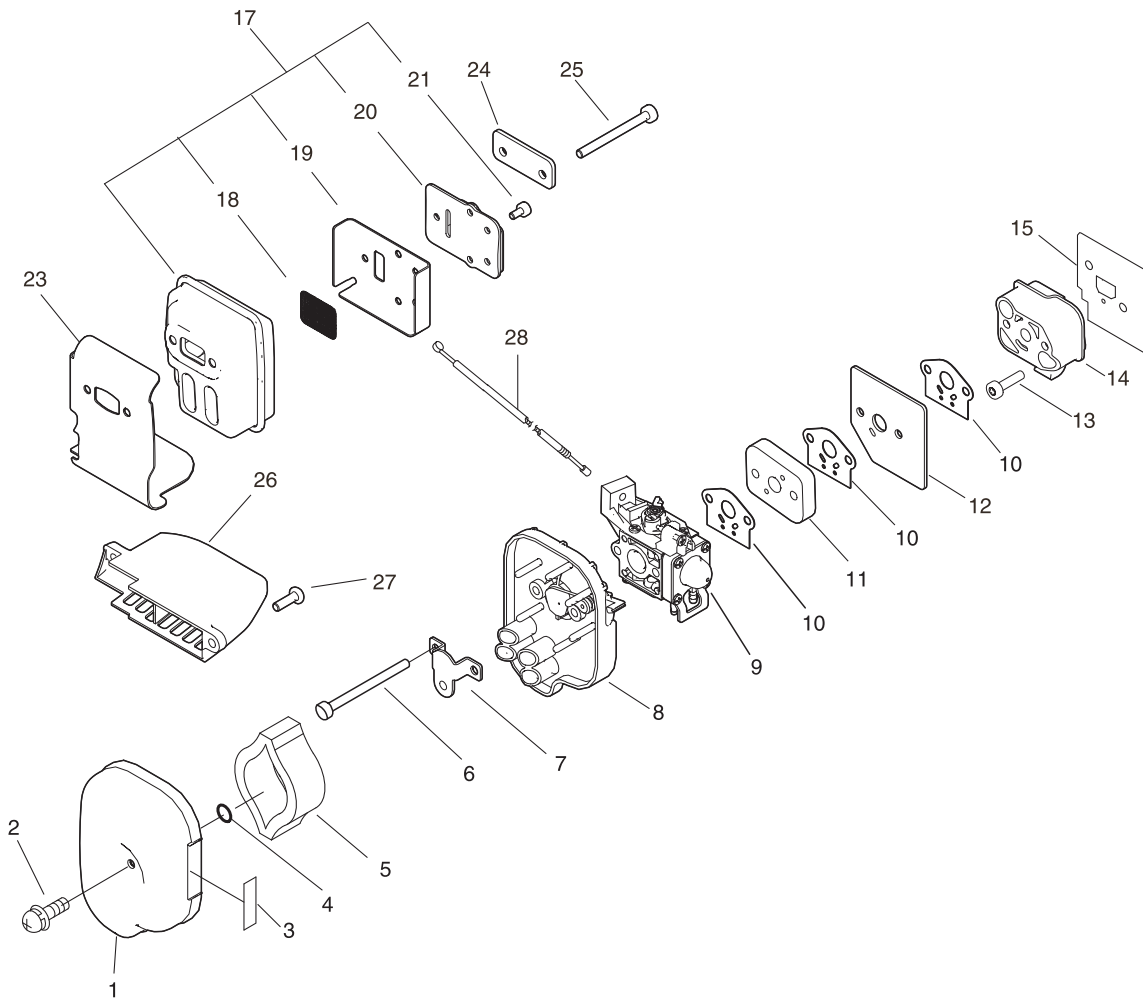
# SHR-170SI 3 Magneto, Clutch



KEY	LV	PART NUMBER	Q'TY	DESCRIPTION	REMARKS
1		175046-56030	2	SHAFT, CLUTCH	
2		175049-56030	2	WASHER	
4		175009-55931	2	SHOE, CLUTCH	
5		175048-05530	2	WASHER (I)	
6		V451-000040	1	SPRING, TENSION	
7		900515-00008	1	NUT, FLANGE 8	
8		A409-001090	1	ROTOR, MAGNETO	
9		900162-04020	2	BOLT, H.S. 4*20	
10		A411-001230	1	COIL, IGNITION	
11		V475-004160	1	TUBE	
12		A427-000013	1	CAP, SPARK PLUG	
14		A426-000010	1	TERMINAL, SPARKPLUG	
15		A425-000000	1	SPARKPLUG	
17		V485-002240	1	LEAD	

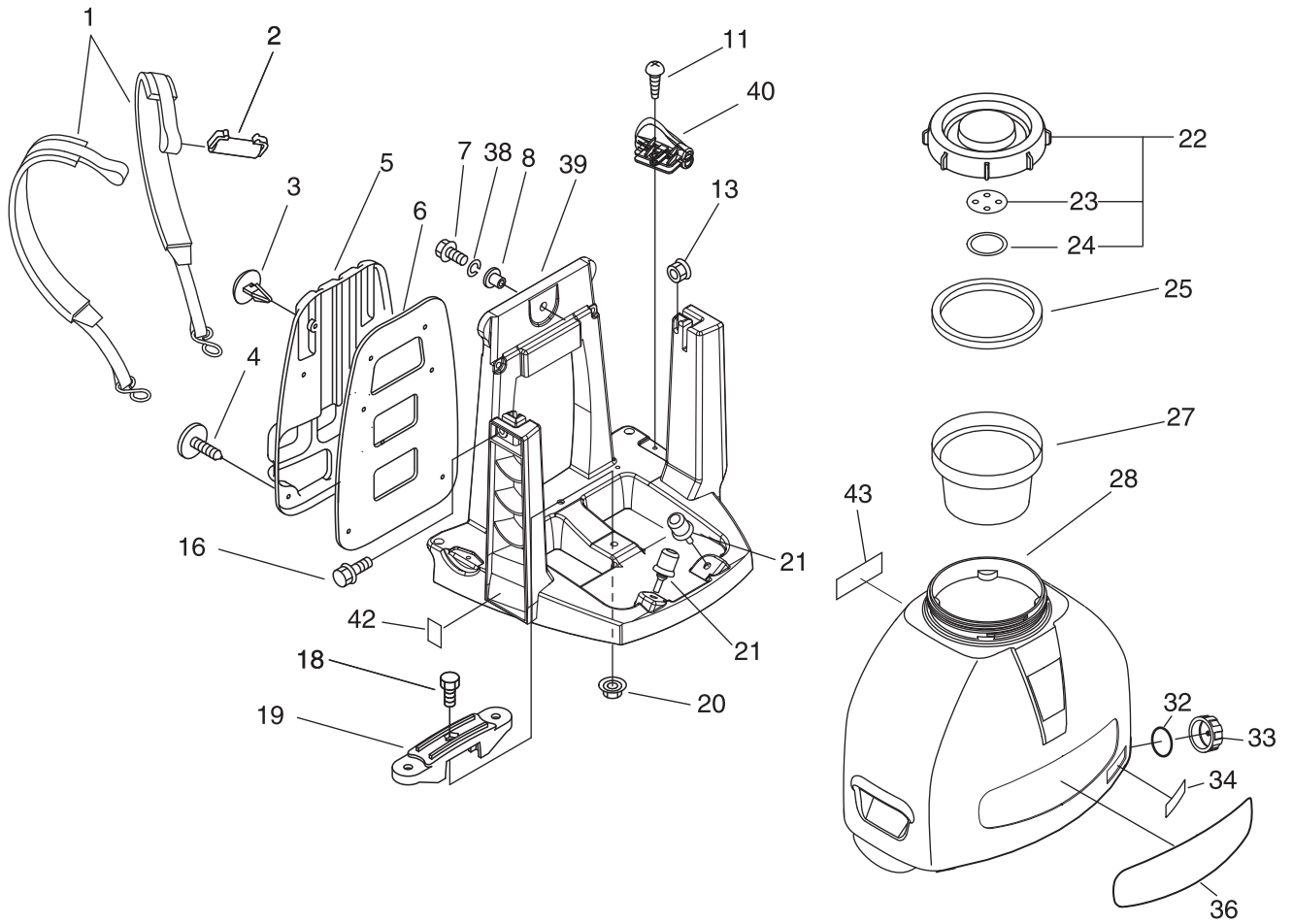
# SHR-170SI 4

## Air Cleaner, Carburettor, Muffler

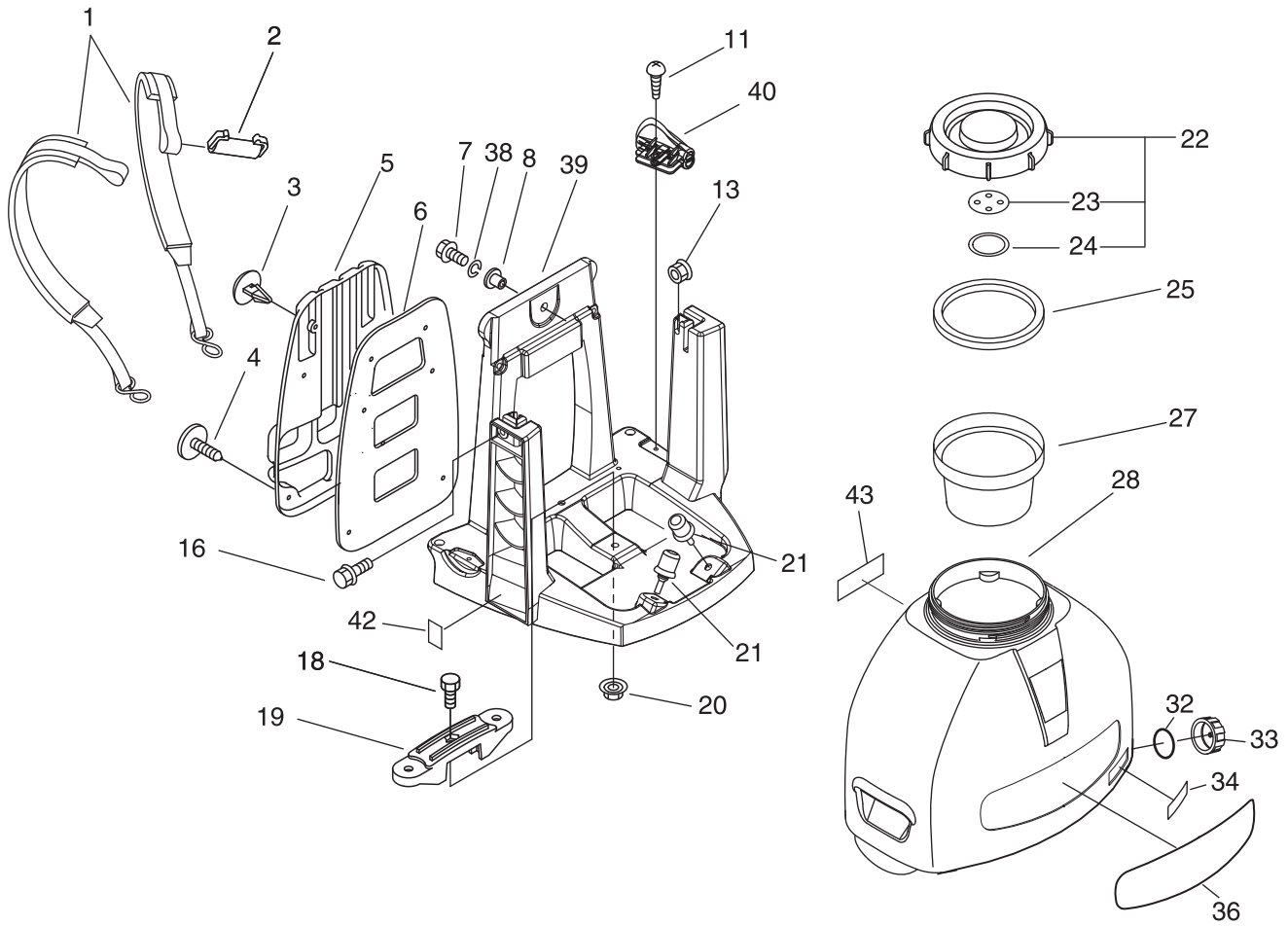


KEY	LV	PART NUMBER	Q'TY	DESCRIPTION	REMARKS
1		130313-57030	1	LID, AIR CLEANER	
2		900239-05012	1	SCREW 5*12	
3		890332-52730	1	LABEL, CHOKE	
4		900720-00004	1	O-RING (P-4)	
5		A226-000020	1	ELEMENT,AIR FILTER	
6		900105-05070	2	BOLT, H.S. 5*70	
7		A244-000250	1	PLATE, PREVENT	
8		P021-037620	1	CASE, AIR CLEANER	
9		A021-003600	1	CARBURETOR,DIAPHRAGM	
10		130010-13410	3	GASKET, INTAKE	
11		A200-000030	1	INSULATOR,INTAKE	
12		A209-000140	1	PLATE, INSULATOR	
13		900162-05025	2	BOLT, H.S. 5*25	
14		A200-000300	1	INSULATOR, INTAKE	
15		V103-001360	1	GASKET,INTAKE	
17		P021-037630	1	MUFFLER ASY	
18	+	145862-40630	1	SCREEN, MUFFLER	
19	+	V104-001760	1	GASKET,EXHAUST	
20	+	A313-000600	1	GUIDE,EXH	
21	+	91367-04010	5	SCREW	
23		V104-000850	1	GASKET,EXHAUST	
24		V150-000371	1	PLATE,EYE	
25		900105-05055	2	BOLT, H.S. 5*55	
26		A320-000480	1	COVER,MUFFLER	
27		900253-05016	2	SCREW	
28		V430-003541	1	CABLE,BOWDEN	

# SHR-170SI 5 Chemical Tank, Harness

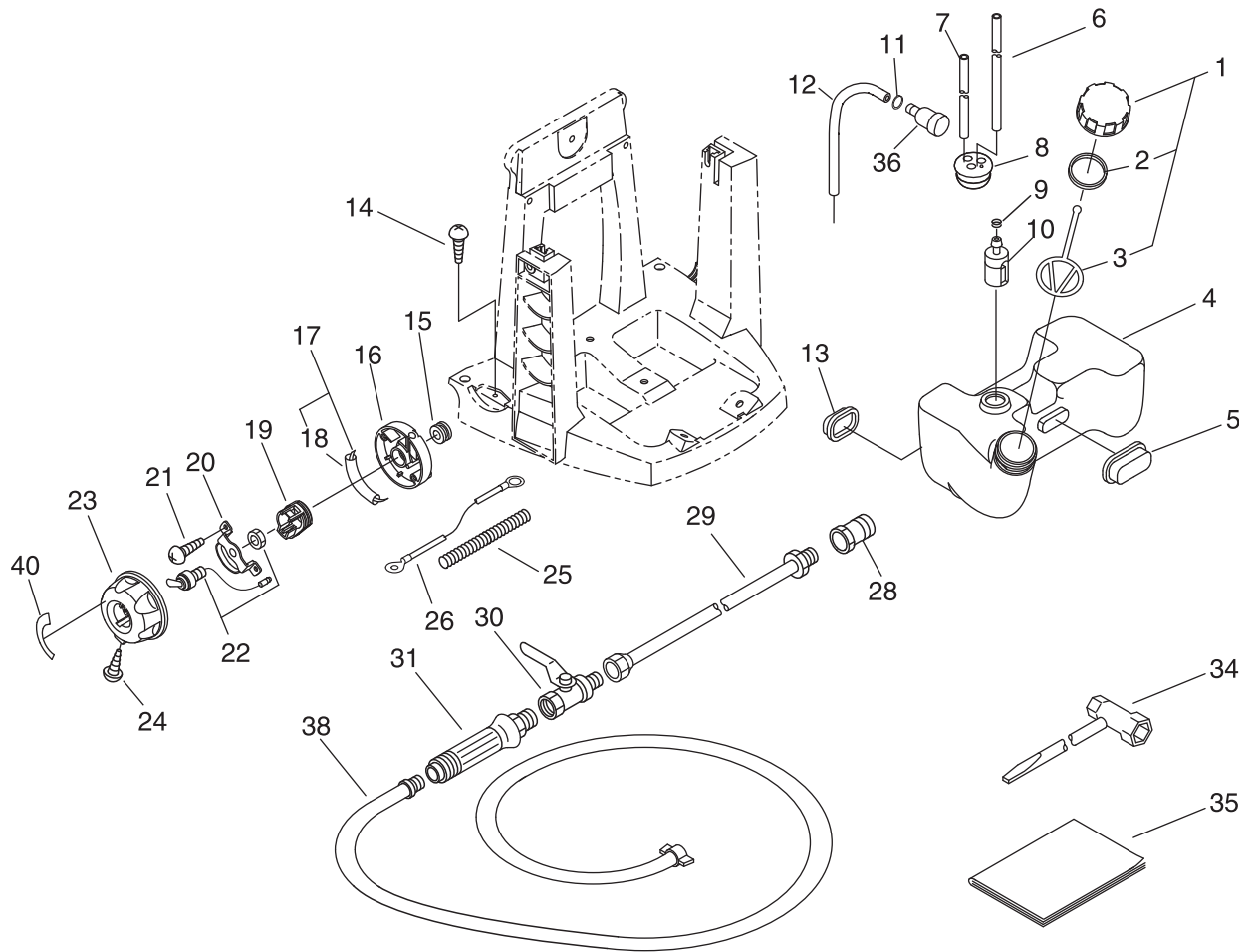


KEY	LV	PART NUMBER	Q'TY	DESCRIPTION	REMARKS
1		C061-000090	2	HARNESS,ASM BACKPACK	
2		V491-000040	2	CLIP	
3		300333-06160	2	CLIP	
4		V491-000090	4	CLIP	
5		C630-000020	1	SEAT,BACKPACK	
6		C630-000030	1	SEAT,BACKPACK	
7		900220-06015	1	SCREW +-SR 6*15	
8		V354-000150	1	COLLAR,6	
11		91428-05020	1	SCREW TAPPING	
13		900518-00006	2	NUT, FLANGE	
16		900103-06020	2	BOLT, FLANGE 6*20	
18		900100-06016	1	BOLT 6*16	
19		A195-000010	1	BASE,ENGINE	
20		250916-06210	1	NUT	
21		V420-001090	2	CUSHION	
22		250001-14011	1	CAP, CHEMICAL TANK	
23	+	250026-11310	1	VALVE, AIR	
24	+	250027-11310	1	PACKING	
25		250011-01110	1	GASKET, CHMCL. TANK	
27		E220-000010	1	FILTER,TANK	
28		E110-000200	1	TANK,CHEMICAL	
32		900720-30028	1	O-RING P-28 (F)	
33		250211-11410	1	NUT, HOSE	
34		X543-003280	1	LABEL,MODEL	



KEY	LV	PART NUMBER	Q'TY	DESCRIPTION	REMARKS
36		X502-000440	1	LABEL,ECHO	
38		900605-00006	1	WASHER, SPRING 6	
39		C620-000311	1	FRAME,BACKPACK	
40		C405-000190	1	BRACKET,HANDLE	
42		890157-06560	1	LABEL, SWITCH	
43		890617-13210	1	LABEL, CAUTION	

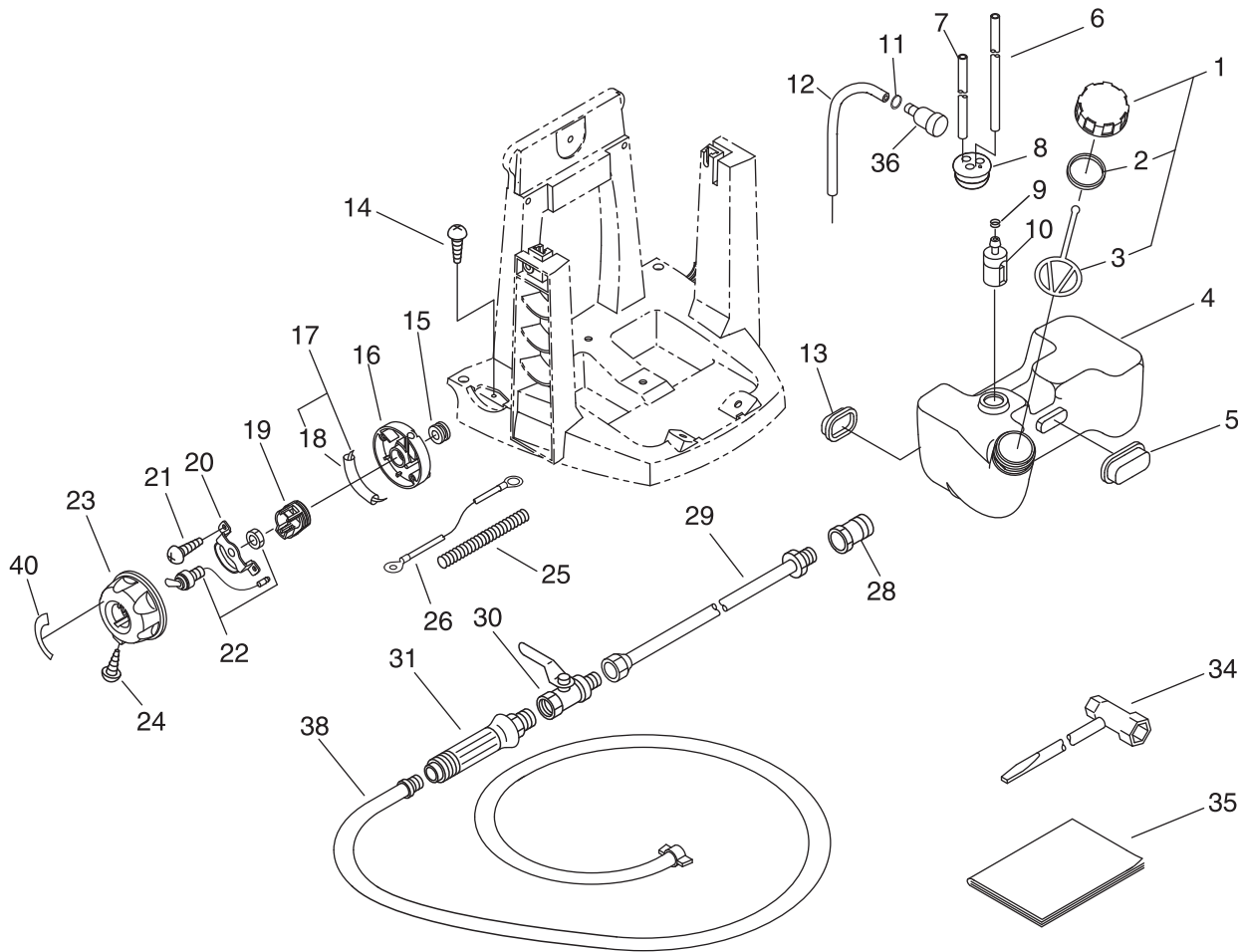
# SHR-170SI 6 Fuel Tank



KEY	LV	PART NUMBER	Q'TY	DESCRIPTION	REMARKS
1		131004-55530	1	CAP ASSY, FUEL TANK	
2	+	131016-55830	1	GASKET, FUEL CAP	
3	+	131051-56030	1	CLIP, FUEL CAP	
4		A350-001822	1	TANK, FUEL	
5		131920-61830	1	CUSHION, FUEL TANK	
6		V471-001230	1	PIPE	
7		132010-56330	1	PIPE 3*6*90	
8		V137-000030	1	GROMMET, FUEL	
9		132013-09820	1	CLIP	
10		131205-07320	1	STRAINER, FUEL	
11		132013-09820	1	CLIP	
12		V471-001210	1	PIPE	
13		131920-55430	2	CUSHION, FUEL TANK	
14		91428-05020	1	SCREW TAPPING	
15		150614-02910	1	GROMMET	
16		C471-000070	1	FIXTURE, TRIGGER	
17		P021-007120	1	SPRING, FLAT SET	
18	+	V471-000930	1	PIPE	
19		C453-000080	1	LEVER, THROTTLE	
20		A439-000100	1	BRACKET, SWITCH	
21		900252-04010	2	SCREW 4*10	
22		A440-000420	1	SWITCH, ON OFF	
23		C473-000011	1	KNOB, THROTTLE	
24		900253-04014	1	SCREW 4*14	

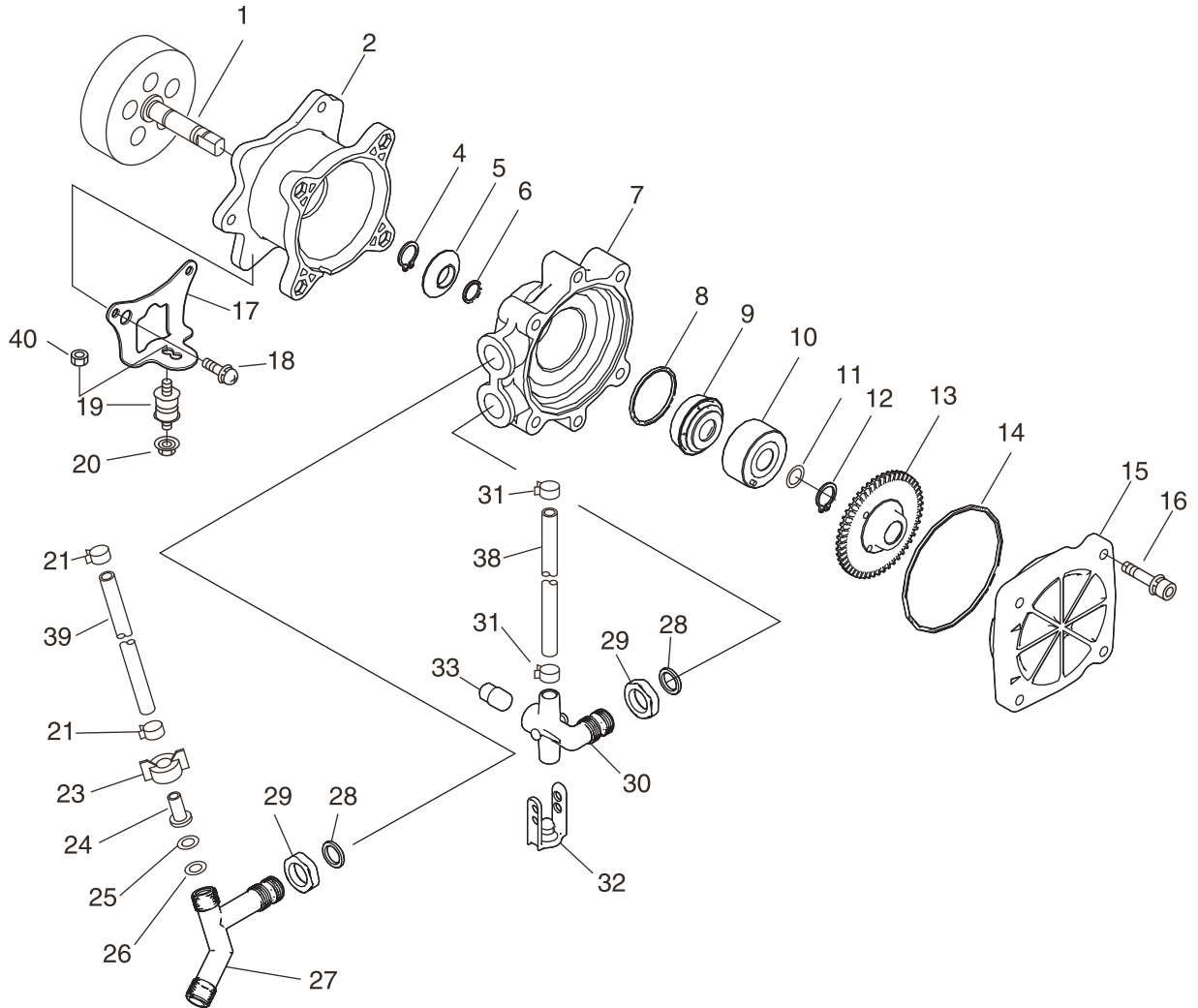


# SHR-170SI 6 Fuel Tank



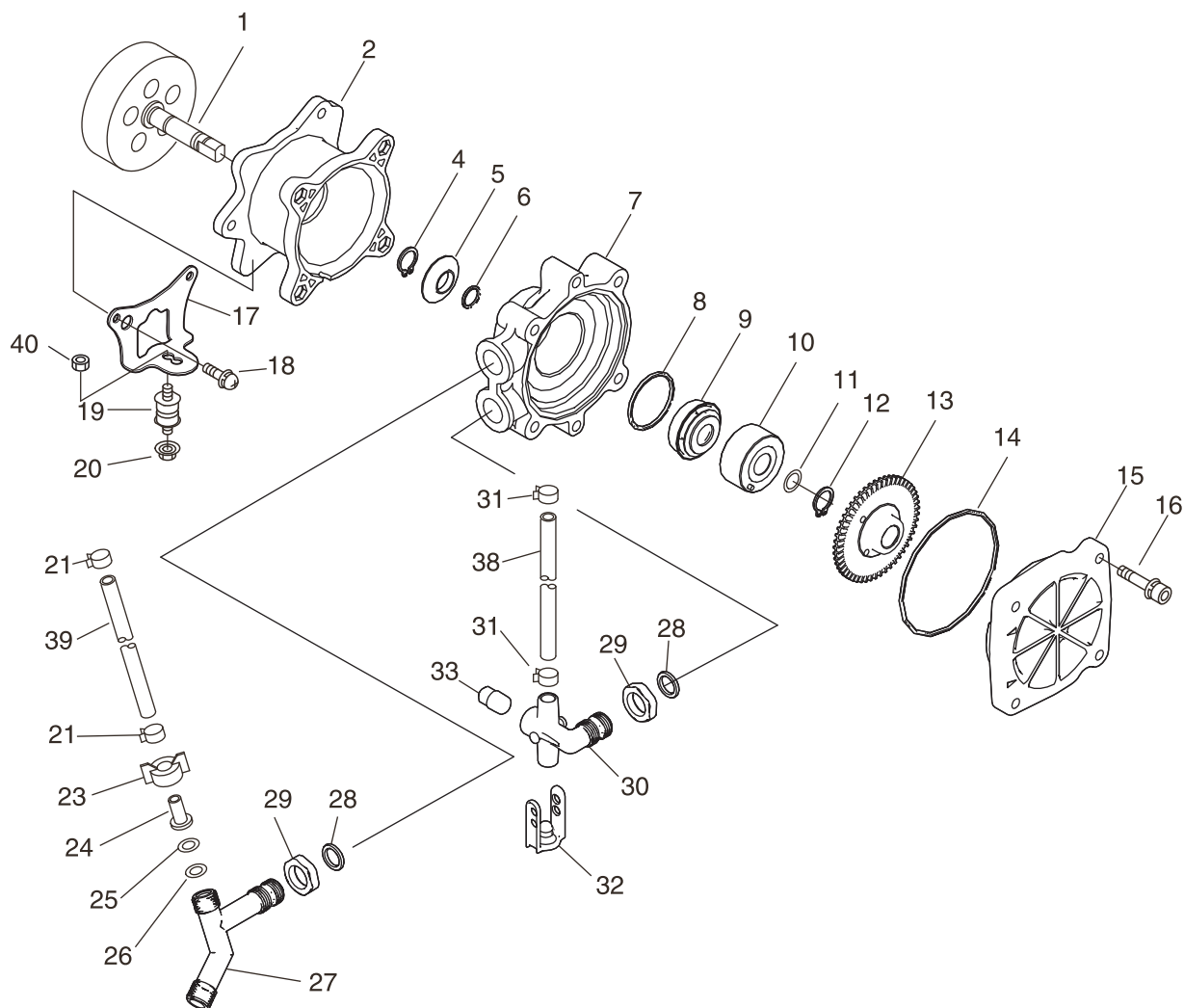
KEY	LV	PART NUMBER	Q'TY	DESCRIPTION	REMARKS
25		162110-13411	1	TUBE	
26		V485-002231	1	LEAD	
28		E025-000470	1	NOZZLE, LIQUID	
29		E270-000030	1	PIPE, NOZZLE	
30		E245-000070	1	COCK, LIQUID	
31		E271-000000	1	GRIP, NOZZLE	
34		895410-03930	1	WRENCH, W/S. DRIVER	
35		X750-018660	1	MANUAL, OPERATOR	
36		A356-000030	1	VALVE, CHECK	
38		384002-12710	1	HOSE 7.5*1.2M BL	
40		890015-13210	1	LABEL, THROTTLE	

# SHR-170SI 7 Pump



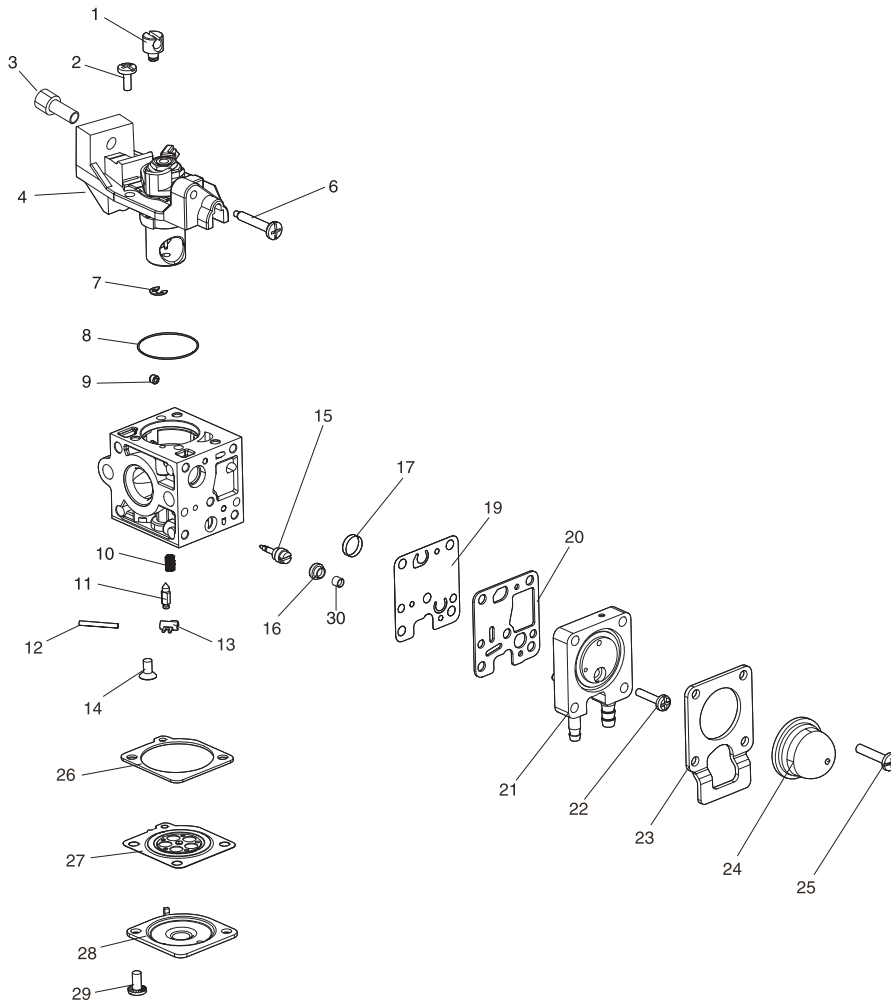
KEY	LV	PART NUMBER	Q'TY	DESCRIPTION	REMARKS
1		A556-001340	1	DRUM, CLUTCH	
2		E202-000180	1	BASE, PUMP	
4		900701-00012	1	CIRCLIP 12	
5		405114-10510	1	PLATE	
6		900724-30010	1	O-RING	
7		E203-000012	1	CASE, PUMP	
8		900724-00029	1	O-RING (S-29)	
9		405100-11410	1	SEAL, UNIT	
10		P021-006750	1	COUPLING, SEAL UNIT	
11		400111-11410	1	WASHER	
12		900704-00012	1	CIRCLIP 12	
13		405110-10512	1	IMPELLER	
14		900724-30067	1	O-RING	
15		E205-000001	1	LID, PUMP	
16		900162-05040	4	BOLT, H.S. 5*40	
17		E216-000160	1	BRACKET, PUMP	
18		900239-05018	3	SCREW 5*18	
19		V402-000040	1	CUSHION, 6	
20		250916-06210	1	NUT	
21		132013-14010	2	BAND	
23		386015-10511	1	NUT, WING	
24		386013-14011	1	NIPPLE, HOSE	
25		386019-10510	1	GASKET, BYPASS NOZZLE	
26		386018-10510	1	WASHER, CIRCULAR	

# SHR-170SI 7 Pump



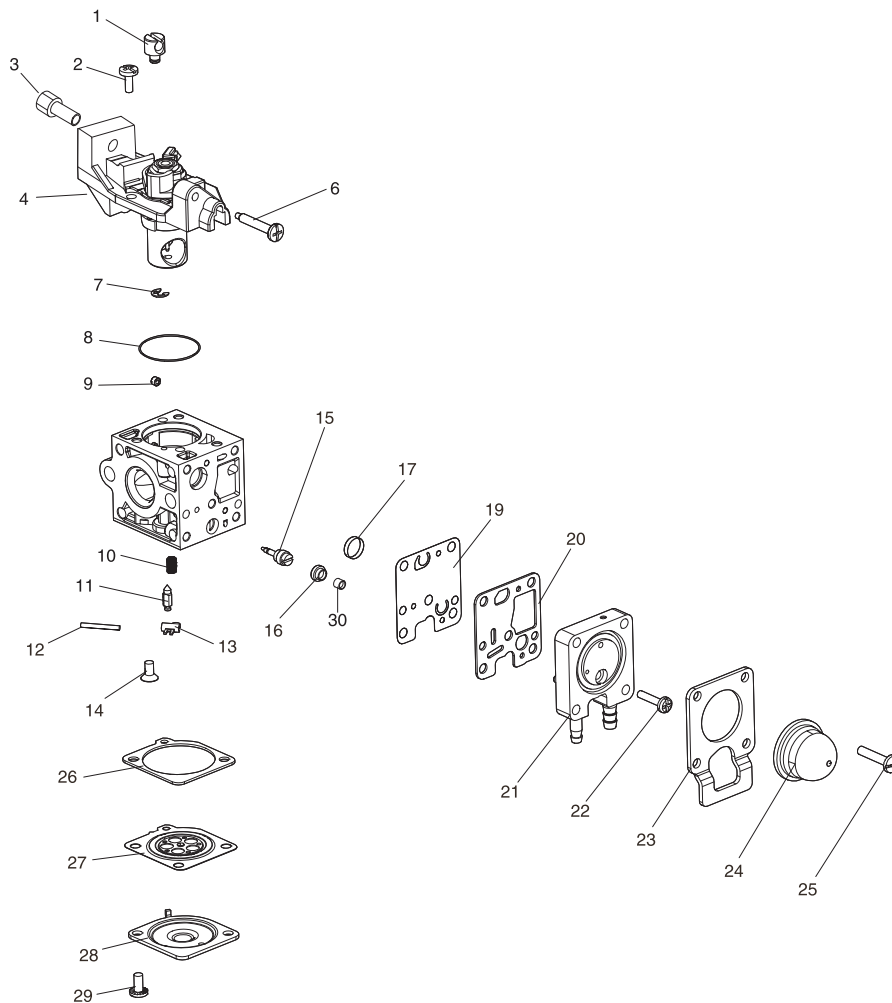
KEY	LV	PART NUMBER	Q'TY	DESCRIPTION	REMARKS
27		K471-000110	1	TEE,HOSE 1/4	
28		900722-00100	2	O-RING P-10A	
29		K541-000040	2	NUT,LOCK 1/4	
30		K471-000100	1	TEE,HOSE 1/4	
31		357013-14012	2	CLIP	
32		V141-000141	1	GROMMET,PLUG	
33		912318-10401	1	PLUG, DRAIN	
38		V471-003171	1	PIPE	
39		V471-003161	1	PIPE	
40		900515-00006	1	NUT, FLANGE 6	

# SHR-170SI 8 Carburettor



KEY	LV	PART NUMBER	Q'TY	DESCRIPTION	REMARKS
		A021-003600	1	CARBURETOR,DIAPHRAGM	
1	+	P005-001240	1	POST	
2	+	125344-13931	3	SCREW	
3	+	P005-002190	1	SCREW, WIRW ADJUST	
4	+	P005-002260	1	COVER ASY, ROTOR	
6	+	P005-002110	1	SCREW, THROTTLEADJUST	
7	+	P005-000190	1	E-RING	
8	+	P005-000280	1	O-RING	
9	+	P005-001000	1	ROLLER, GUIDE	
10	+	125322-13930	1	SPRING, COIL	
11	+	125337-08260	1	VALVE, INLET NEEDLE	
12	+	125338-13930	1	PIN, METERING ARM	
13	+	125323-08260	1	ARM, VALVE	
14	+	125339-42030	1	SCREW	
15	+	P005-002180	1	SCREW,MAIN MIXTURE	
16	+	P005-001250	1	RETAINER,PLUG BALL	
17	+	P005-000010	1	STRAINER	
19	+	P005-000520	1	GASKET, PUMP	
20	+	P005-000510	1	DIAPHRAGM, PUMP	
21	+	P005-001890	1	BASE, ASY PRIMER	
22	+	P005-000270	1	SCREW	
23	+	P005-000250	1	RETAINER	
24	+	125381-46730	1	PUMP, PRIMING	
25	+	P005-001900	4	SCREW	

# SHR-170SI 8 Carburettor



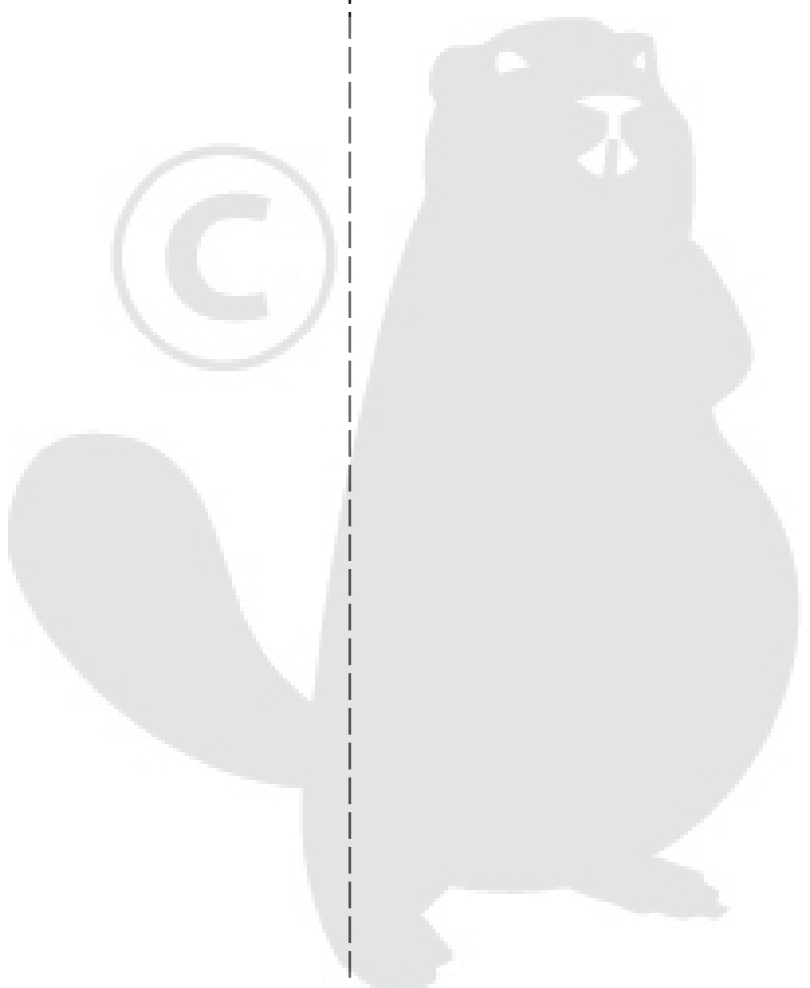
KEY	LV	PART NUMBER	Q'TY	DESCRIPTION	REMARKS
26	+	P005-000200	1	GASKET, METERING	
27	+	P005-001780	1	DIAPHRAGM	
28	+	125342-52130	1	COVER, DIAPHRAGM	
29	+	125344-52130	3	SCREW	
30	+	A259-000010	1	CAP,LIMITER	

**Index**

<b>Parts Number</b>	<b>Key No.</b>	<b>Parts Number</b>	<b>Key No.</b>	<b>Parts Number</b>	<b>Key No.</b>
100013-11520	1 - 7	300333-06160	5 - 3	91367-04010	4 - 21
100014-11520	1 - 9	357013-14012	7 - 31	91428-05020	5 - 11
100015-04630	1 - 8	384002-12710	6 - 38	91428-05020	6 - 14
100142-12330	1 - 23	386013-14011	7 - 24	94035-36201	1 - 12
100204-52133	1 - 10	386015-10511	7 - 23	A011-000101	1 - 16
100212-42031	1 - 11	386018-10510	7 - 26	A021-003600	4 - 9
100215-03930	1 - 15	386019-10510	7 - 25	A021-003600	8 -
100242-42030	1 - 13	400111-11410	7 - 11	A051-002290	2 - 3
125322-13930	8 - 10	405100-11410	7 - 9	A101-000090	1 - 6
125323-08260	8 - 13	405110-10512	7 - 13	A130-000540	1 - 2
125337-08260	8 - 11	405114-10510	7 - 5	A160-002391	1 - 1
125338-13930	8 - 12	890015-13210	6 - 40	A172-001880	1 - 18
125339-42030	8 - 14	890157-06560	5 - 42	A195-000010	5 - 19
125342-52130	8 - 28	890332-52730	4 - 3	A200-000030	4 - 11
125344-13931	8 - 2	890617-13210	5 - 43	A200-000300	4 - 14
125344-52130	8 - 29	895410-03930	6 - 34	A209-000140	4 - 12
125381-46730	8 - 24	900100-06016	5 - 18	A226-000020	4 - 5
130010-13410	4 - 10	900103-06020	5 - 16	A244-000250	4 - 7
130313-57030	4 - 1	900105-05055	4 - 25	A259-000010	8 - 30
131004-55530	6 - 1	900105-05070	4 - 6	A313-000600	4 - 20
131016-55830	6 - 2	900162-04020	3 - 9	A320-000480	4 - 26
131051-56030	6 - 3	900162-05022	1 - 3	A350-001822	6 - 4
131205-07320	6 - 10	900162-05025	4 - 13	A356-000030	6 - 36
131920-55430	6 - 13	900162-05028	1 - 14	A409-001090	3 - 8
131920-61830	6 - 5	900162-05040	7 - 16	A411-001230	3 - 10
132010-56330	6 - 7	900220-06015	5 - 7	A425-000000	3 - 15
132013-09820	6 - 9	900239-05012	4 - 2	A426-000010	3 - 14
132013-09820	6 - 11	900239-05018	7 - 18	A427-000013	3 - 12
132013-14010	7 - 21	900242-04016	1 - 19	A439-000100	6 - 20
145862-40630	4 - 18	900242-04016	2 - 18	A440-000420	6 - 22
150614-02910	6 - 15	900252-04010	6 - 21	A503-000020	2 - 5
162110-13411	6 - 25	900253-04014	6 - 24	A504-000001	2 - 6
175009-55931	3 - 4	900253-04016	2 - 16	A506-000060	2 - 9
175046-56030	3 - 1	900253-05016	1 - 24	A510-000190	2 - 26
175048-05530	3 - 5	900253-05016	4 - 27	A511-000050	2 - 27
175049-56030	3 - 2	900515-00006	1 - 20	A514-000060	2 - 11
177202-12220	2 - 20	900515-00006	7 - 40	A520-000060	2 - 13
177218-44330	2 - 22	900515-00008	3 - 7	A556-001340	7 - 1
177226-55030	2 - 8	900518-00006	5 - 13	C061-000090	5 - 1
177227-42030	2 - 4	900605-00006	5 - 38	C405-000190	5 - 40
177234-12220	2 - 21	900701-00012	7 - 4	C453-000080	6 - 19
250001-14011	5 - 22	900704-00012	7 - 12	C471-000070	6 - 16
250011-01110	5 - 25	900720-00004	4 - 4	C473-000011	6 - 23
250026-11310	5 - 23	900720-30028	5 - 32	C620-000311	5 - 39
250027-11310	5 - 24	900722-00100	7 - 28	C630-000020	5 - 5
250211-11410	5 - 33	900724-00029	7 - 8	C630-000030	5 - 6
250916-06210	1 - 22	900724-30010	7 - 6	E025-000470	6 - 28
250916-06210	5 - 20	900724-30067	7 - 14	E110-000200	5 - 28
250916-06210	7 - 20	912318-10401	7 - 33	E202-000180	7 - 2

**Index**

<b>Parts Number</b>	<b>Key No.</b>	<b>Parts Number</b>	<b>Key No.</b>	<b>Parts Number</b>	<b>Key No.</b>
E203-000012	7 - 7	V430-003541	4 - 28		
E205-000001	7 - 15	V450-000440	2 - 10		
E216-000160	7 - 17	V451-000040	3 - 6		
E220-000010	5 - 27	V471-000930	6 - 18		
E245-000070	6 - 30	V471-001210	6 - 12		
E270-000030	6 - 29	V471-001230	6 - 6		
E271-000000	6 - 31	V471-003161	7 - 39		
K471-000100	7 - 30	V471-003171	7 - 38		
K471-000110	7 - 27	V475-004160	3 - 11		
K541-000040	7 - 29	V485-002231	6 - 26		
P005-000010	8 - 17	V485-002240	3 - 17		
P005-000190	8 - 7	V491-000040	5 - 2		
P005-000200	8 - 26	V491-000090	5 - 4		
P005-000250	8 - 23	X502-000330	2 - 1		
P005-000270	8 - 22	X502-000440	5 - 36		
P005-000280	8 - 8	X505-000620	2 - 28		
P005-000510	8 - 20	X505-002310	1 - 25		
P005-000520	8 - 19	X543-003280	5 - 34		
P005-001000	8 - 9	X750-018660	6 - 35		
P005-001240	8 - 1				
P005-001250	8 - 16				
P005-001780	8 - 27				
P005-001890	8 - 21				
P005-001900	8 - 25				
P005-002110	8 - 6				
P005-002180	8 - 15				
P005-002190	8 - 3				
P005-002260	8 - 4				
P021-006750	7 - 10				
P021-007120	6 - 17				
P021-007712	1 - 5				
P021-011130	2 - 12				
P021-037620	4 - 8				
P021-037630	4 - 17				
V100-000661	1 - 4				
V103-001360	4 - 15				
V104-000850	4 - 23				
V104-001760	4 - 19				
V137-000030	6 - 8				
V141-000141	7 - 32				
V150-000371	4 - 24				
V253-000060	2 - 14				
V354-000150	5 - 8				
V355-000080	2 - 7				
V376-001770	2 - 15				
V402-000010	1 - 21				
V402-000040	7 - 19				
V420-000630	2 - 25				
V420-001090	5 - 21				



# YAMABIKO CORPORATION

7-2 SUEHIROCHO 1-CHOME, OHME, TOKYO 198-8760, JAPAN  
PHONE: 81-428-32-6118. FAX: 81-428-32-6145.

**ECHO**®



11/03 03-244