



PARTS CATALOGUE

HEDGE CLIPPER

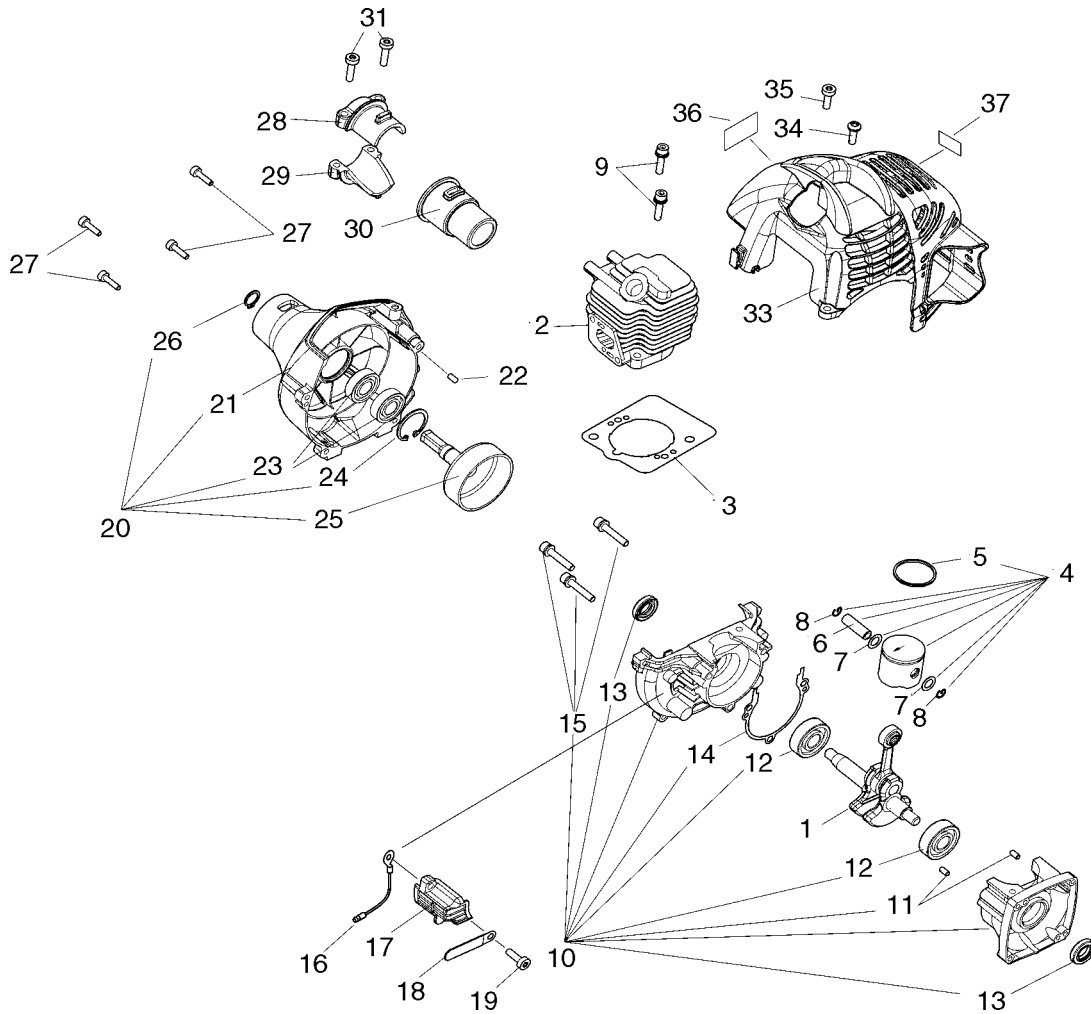
HCAS-235ES



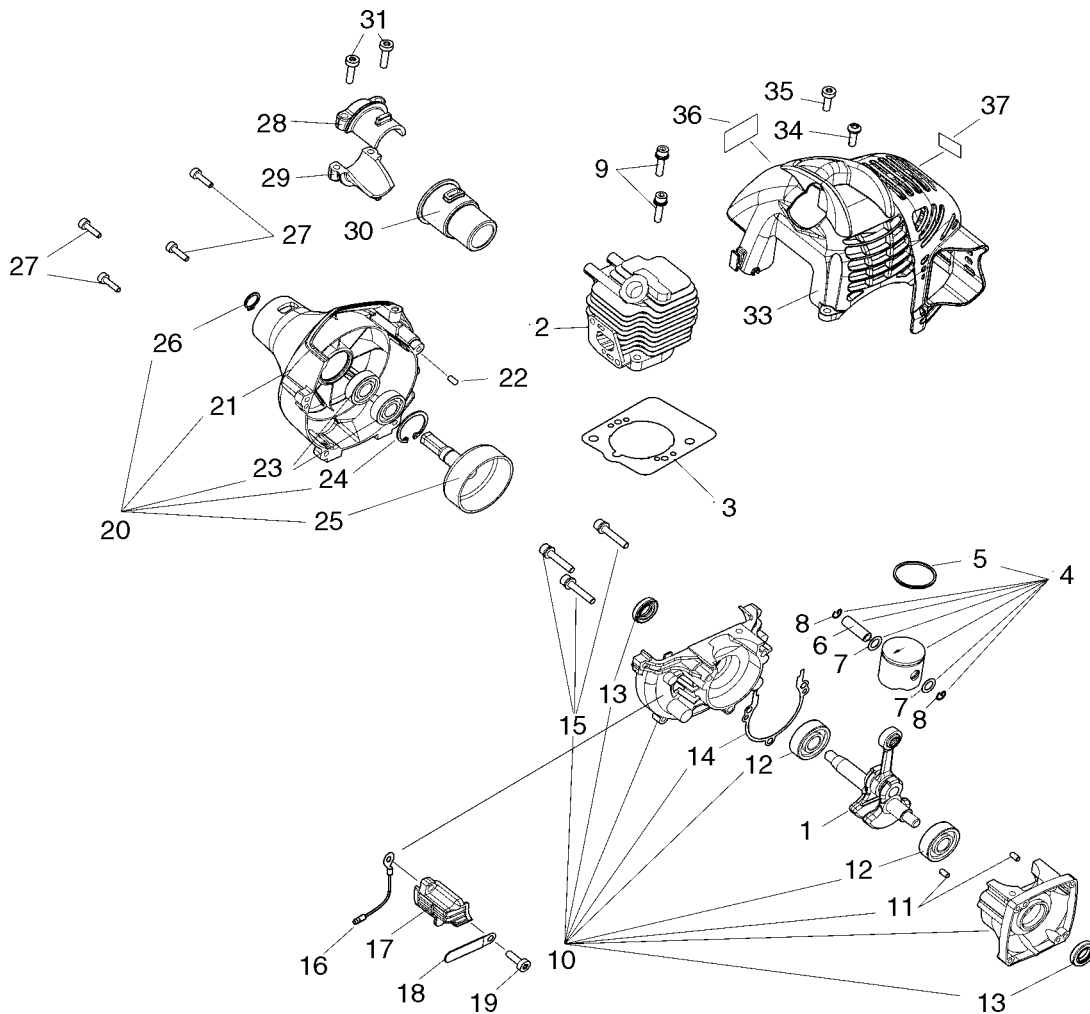
CE

HCAS-235ES

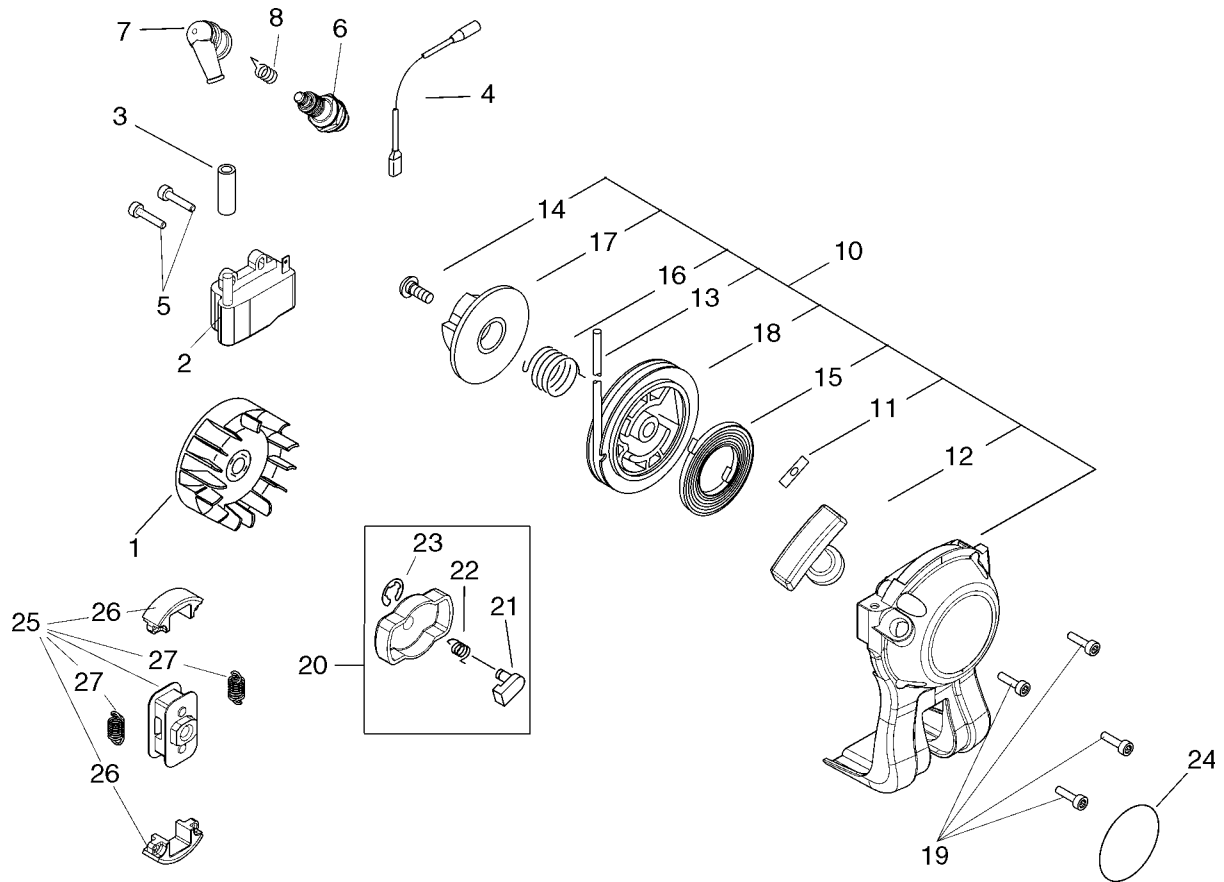
1 Cylinder,Piston,Crank Case,Fan Cover



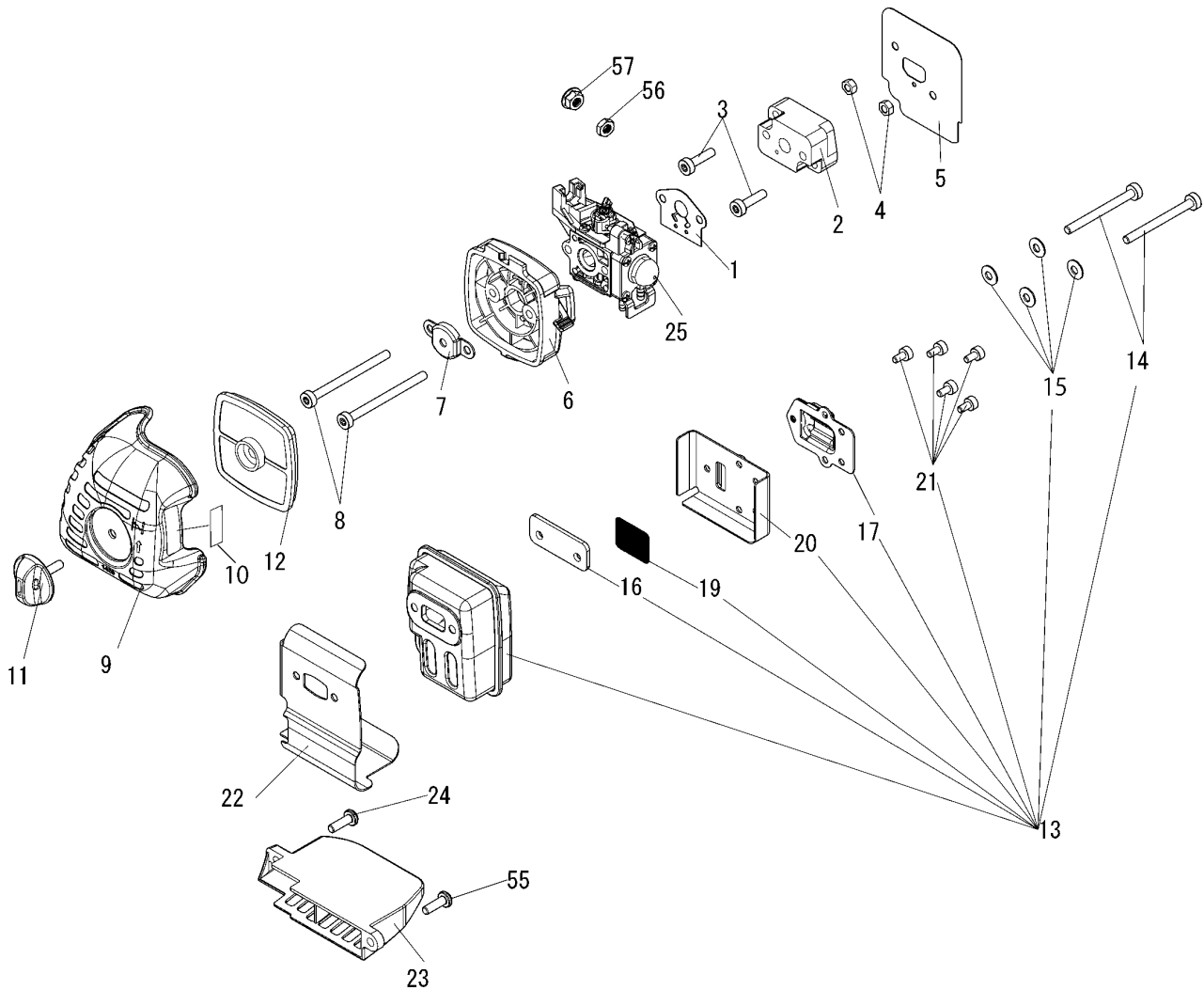
KEY	LV	PART NUMBER	Q'TY	DESCRIPTION	REMARKS
1		A011-000101	1	CRANKSHAFT,ASM	
2		A130-000540	1	CYLINDER	
3		V100-000160	1	GASKET,CYL	
4		P021-007712	1	PISTON KIT	
5	+	A101-000090	1	RING,PISTON	
6	+	100013-11520	1	PIN, PISTON	
7	+	100014-11520	2	SPACER, PISTON PIN	
8	+	100015-04630	2	CIRCLIP, PISTON PIN	
9		900162-05022	2	BOLT, H.S. 5*22	
10		100204-52132	1	CRANKCASE KIT	
11	+	100215-03930	2	PIN, DOWEL	
12	+	94035-36201	2	BEARING BALL	
13	+	100212-42031	2	OILSEAL	
14	+	100242-42030	1	GASKET, CRANKCASE	
15	+	900162-05028	3	BOLT, H.S. 5*28	
16		162014-27230	1	LEAD, GROUND	
17		A127-000160	1	COVER,DUST	
18		159116-21231	1	CLAMP	
19		V805-000150	1	BOLT, TORX 5	
20		P021-015560	1	COVER,FAN ASSY	
21	+	A172-000860	1	COVER,FAN	
22	+	V622-000020	2	PIN,STRAIGHT 4	
23	+	900807-96001	2	BEARING, BALL 6001	
24	+	900702-00028	1	CIRCLIP 28	



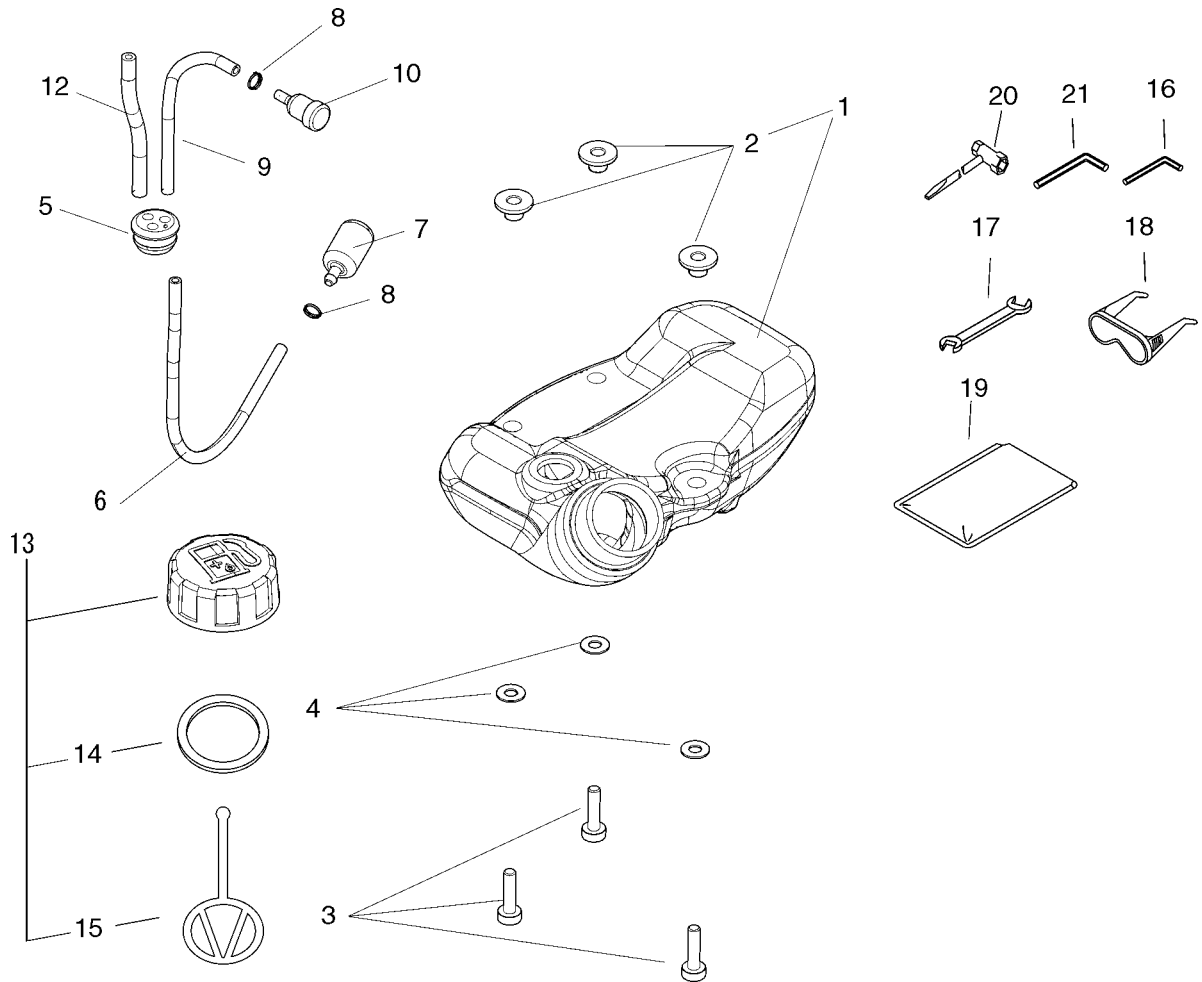
KEY	LV	PART NUMBER	Q'TY	DESCRIPTION	REMARKS
25	+	175005-48931	1	DRUM, CLUTCH	
26	+	900701-00012	1	CIRCLIP 12	
27		V804-000060	4	BOLT, TORX 4	
28		610922-27432	1	HOLDER	
29		610923-55230	1	HOLDER	
30		610910-55230	1	CUSHION	
31		V805-000160	2	BOLT, TORX 5	
33		A160-001090	1	COVER,CYLINDER	
34		V805-000000	1	BOLT, TORX 5	
35		V805-000150	1	BOLT, TORX 5	
36		X547-001560	1	LABEL,ECHO	
37		X505-002310	1	LABEL,CAUTION	



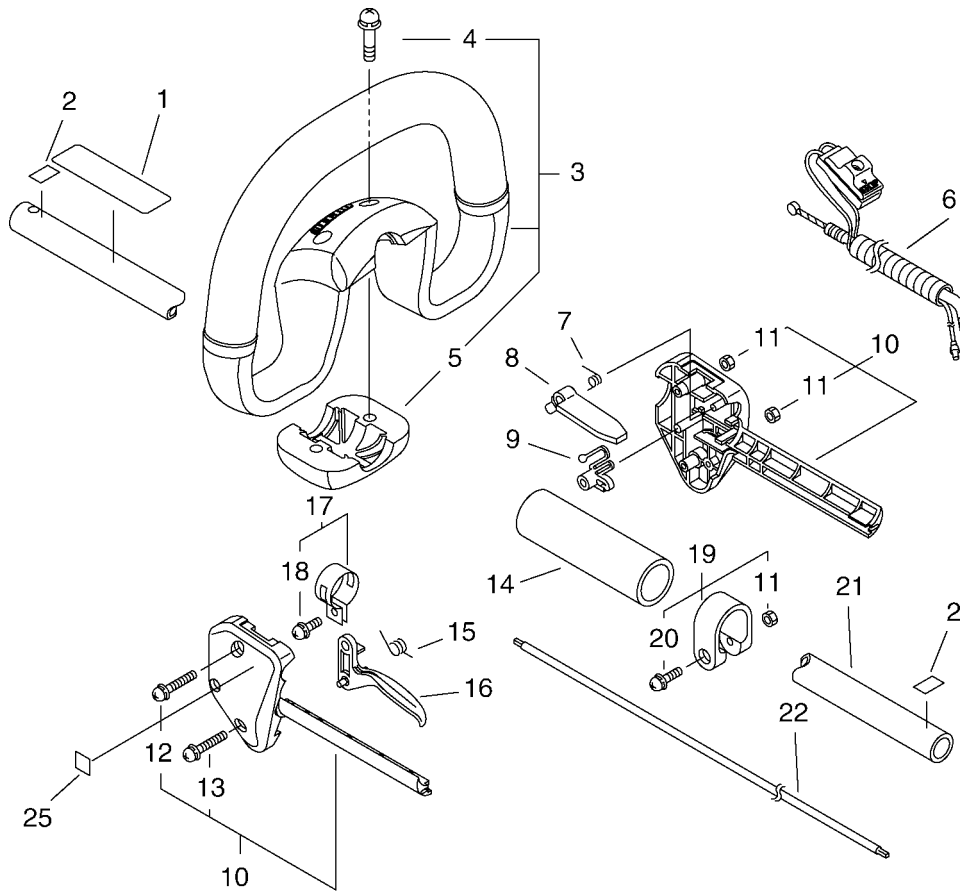
KEY	LV	PART NUMBER	Q'TY	DESCRIPTION	REMARKS
1		A409-000210	1	ROTOR,MAGNETO	
2		A411-000130	1	COIL,IGNITION	
3		V475-004160	1	TUBE	
4		V485-001120	1	LEAD	
5		V804-000070	2	BOLT, TORX 4	
6		A425-000000	1	SPARKPLUG	
7		A427-000013	1	CAP,SPARK PLUG	
8		A426-000010	1	TERMINAL,SPARKPLUG	
10		A051-001311	1	STARTER,RECOIL ASY	
11	+	177246-11120	1	CLIP, STARTER ROPE	
12	+	177228-27030	2	GRIP, STARTER	
13	+	P022-019990	2	ROPE, STARTER	
14	+	177236-61830	1	SCREW	
15	+	P022-019680	1	SPRING, SPIRAL	
16	+	P022-008270	1	SPRING,DAMPER	
17	+	P022-008280	1	PLATE, CAM	
18	+	P022-006830	1	DRUM	
19		V804-000060	4	BOLT, TORX 4	
20		A052-000180	1	PULLEY,ASM STARTER	
21	+	P022-006850	2	PAWL, STARTER	
22	+	P022-006510	2	SPRING, RETURN	
23	+	P022-002100	2	E-RING	
24		X502-000330	1	LABEL,ECHO	
25		A056-000230	1	CLUTCH ASY	
26	+	175009-05131	2	SHOE, CLUTCH	
27	+	175018-05960	2	SPRING, CLUTCH	



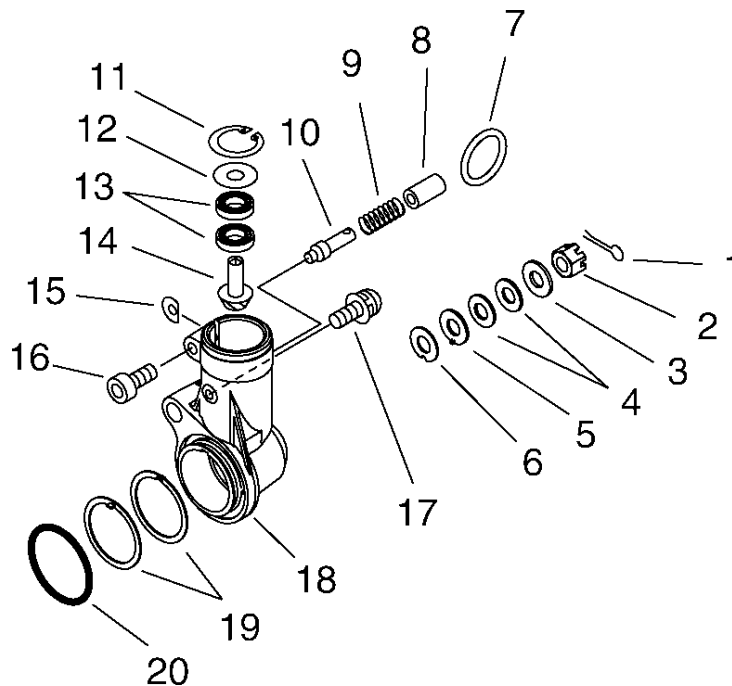
KEY	LV	PART NUMBER	Q'TY	DESCRIPTION	REMARKS
1		V103-000480	1	GASKET,INTAKE	
2		130017-44331	1	INSULATOR	
3		V805-000160	2	BOLT, TORX 5	
4		900500-00005	2	NUT 5	
5		V103-000490	1	GASKET,INTAKE	
6		P021-012870	1	CLEANER CASE ASY	
7		129011-52730	1	PLATE, PREVENT.	
8		V805-000100	2	BOLT, TORX 5	
9		A232-000480	1	LID,CLEANER	
10		890332-52730	1	LABEL, CHOKE	
11		V299-000250	1	KNOB,FASTENER	
12		130310-54130	1	FILTER, AIR	
13		P021-015580	1	MUFFLER ASY	
14	+	V805-000190	2	BOLT, TORX 5	
15	+	V347-000000	4	WASHER, CONICAL	
16	+	V150-000371	1	PLATE, EYE	
17	+	A313-000600	1	GUIDE, EXH	
19	+	145862-40630	1	SCREEN, MUFFLER	
20	+	V104-000360	1	GASKET, EXHAUST	
21	+	V804-000080	5	BOLT, TORX 4	
22		V104-000850	1	GASKET, EXHAUST	
23		A320-000480	1	COVER, MUFFLER	
24		V805-000000	1	BOLT, TORX 5	
25		A021-001690	1	CARBURETOR, DIAPHRAGM	
55		V805-000150	1	BOLT, TORX 5	
56		900502-00006	1	NUT 6 (3N)	
57		900515-00006	1	NUT, FLANGE 6	



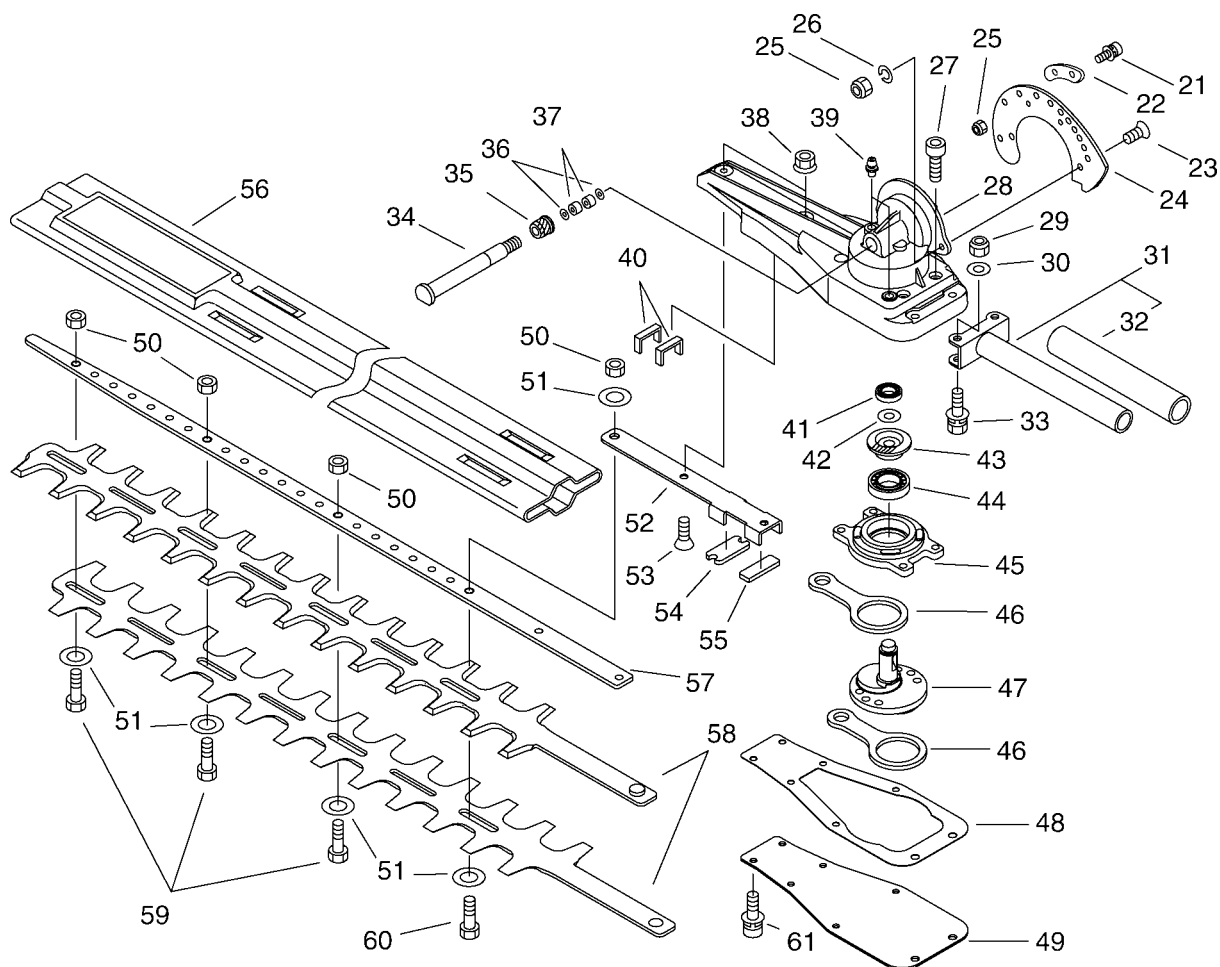
KEY	LV	PART NUMBER	Q'TY	DESCRIPTION	REMARKS
1		A350-000830	1	TANK, FUEL	
2	+	V353-000231	3	COLLAR,5	
3		V805-000160	3	BOLT, TORX 5	
4		900603-00005	3	WASHER 5	
5		V137-000030	1	GROMMET,FUEL	
6		V471-001230	1	PIPE	
7		131205-07320	1	STRAINER, FUEL	
8		132013-09820	2	CLIP	
9		V471-001210	1	PIPE	
10		A356-000030	1	VALVE,CHECK	
12		132012-56030	1	PIPE	
13		P021-012210	1	CAP,FUEL ASY	
14	+	131016-55830	1	GASKET, FUEL CAP	
15	+	A365-000060	1	CONNECTOR,CAP	
16		X605-000060	1	TOOL,L WRENCH	
17		895112-00330	1	SPANNER .8*10	
18		X690-000050	1	GOGGLE	
19		898510-07130	1	BAG, TOOL	
20		895410-03930	1	WRENCH, W/S. DRIVER	
21		895610-00130	1	L-WRENCH (4MM)	



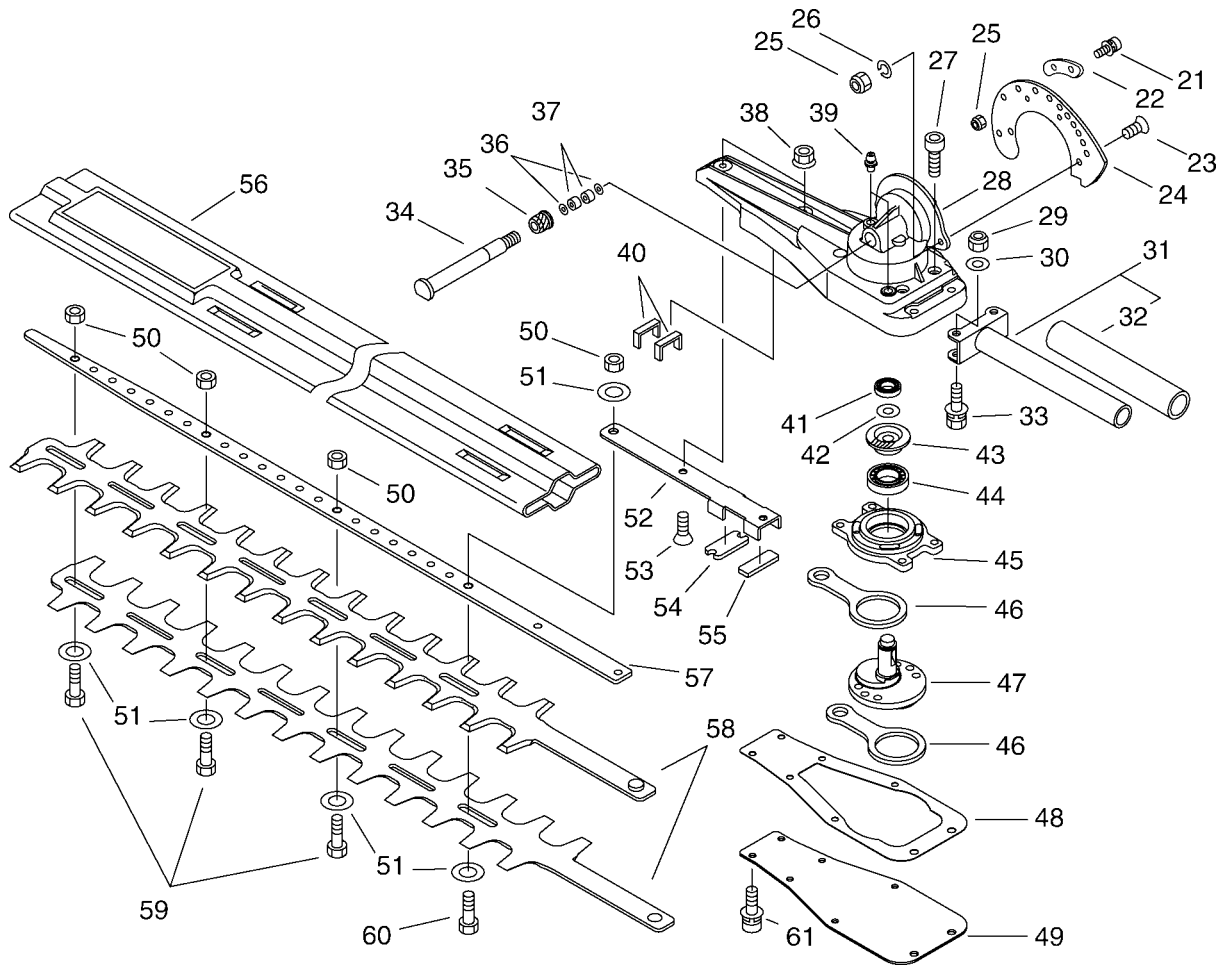
KEY	LV	PART NUMBER	Q'TY	DESCRIPTION	REMARKS
1		890617-12361	1	LABEL, CAUTION	
2		890152-04930	2	LABEL, CAUTION	
3		P021-008322	1	FRONT HANDLE ASY	
4	+	900242-05040	2	SCREW 5*40	
5	+	C423-000190	1	FIXTURE,HANDLE	
6		V043-000310	1	CABLE ASY, CONTROL	
7		178013-52630	1	SPRING, THR. LOCK	
8		178090-52632	1	LOCKOUT, T. CONTROL	
9		178012-52730	1	LOCKOUT, THROTTLE	
10		178003-52130	1	BRACKET SET, THROTTLE	
11	+	900500-00005	2	NUT 5	
12	+	900242-05035	1	SCREW 5*35	
13	+	900242-05025	1	SCREW 5*25	
14		351213-52130	1	GRIP	
15		178043-42230	1	SPRING, THR. RETURN	
16		178010-52130	1	CONTROL, THROTTLE	
17		301200-29430	1	BAND ASSY	
18	+	900242-05014	1	SCREW 5*14	
19		P021-014550	1	BAND 25	
11	+	900500-00005	1	NUT 5	
20	+	900242-05028	1	SCREW 5*28	
21		C050-000350	1	PIPE ASY, MAIN	
22		610013-21560	1	SHAFT, FLEXIBLE	
25		890157-39130	1	LABEL, SWITCH	



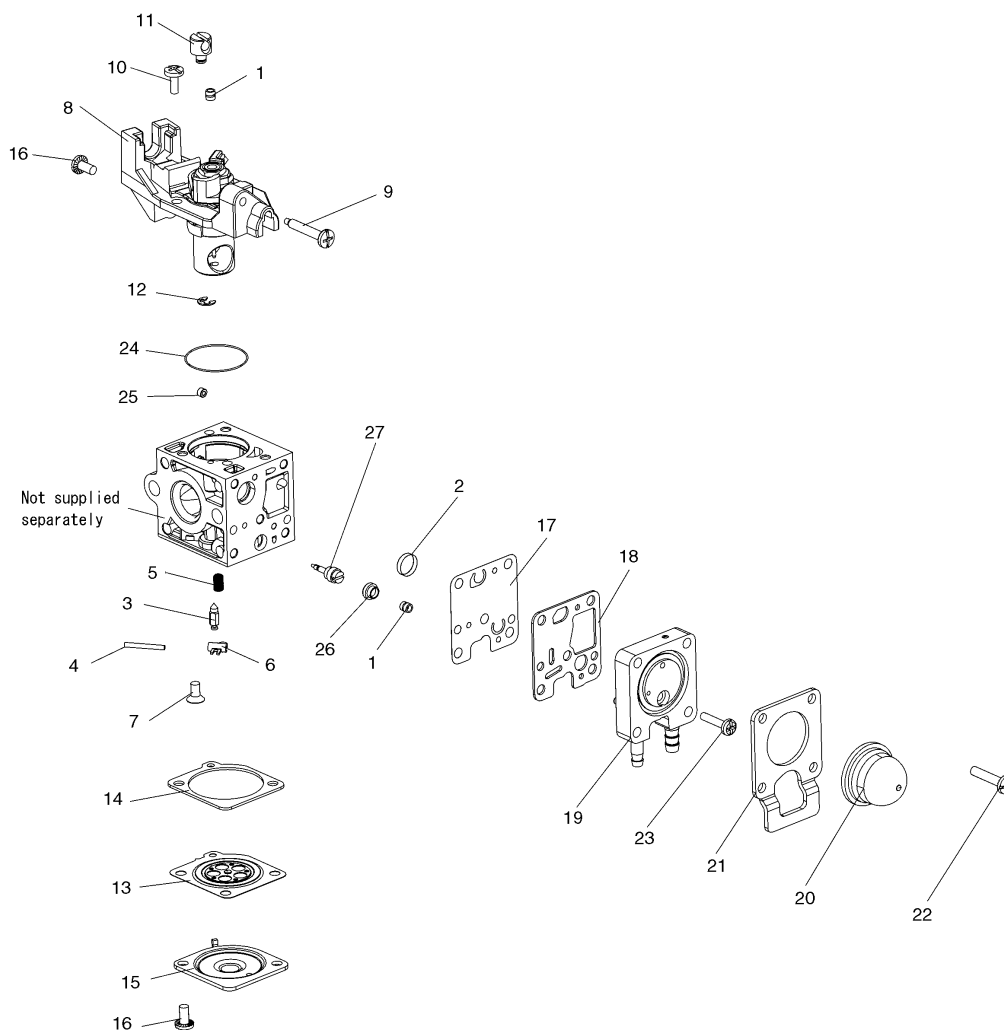
KEY	LV	PART NUMBER	Q'TY	DESCRIPTION	REMARKS
		P021-010520	1	CASE ASY, GEAR	
1	+	93000-16180	1	PIN SPLIT	
2	+	900529-00008	1	NUT, SLOTT 8	
3	+	V306-000140	1	WASHER, CIRCULAR 8	
4	+	V347-000010	2	WASHER, CONICAL	
5	+	V340-000110	1	WASHER	
6	+	V110-000040	1	GASKET, GEAR CASE	
7	+	V583-000050	1	RING	
8	+	V355-000310	1	COLLAR, 8	
9	+	V450-000420	1	SPRING, COMPRESSION	
10	+	V642-000020	1	PIN, LINCH	
11	+	900702-00022	1	CIRCLIP 22	
12	+	V583-000060	1	RING	
13	+	900859-06900	2	BEARING, BALL 6900	
14	+	V651-000240	1	GEAR, BEVEL	
15	+	V340-000170	1	WASHER	
16	+	900162-05025	1	BOLT, H.S. 5*25	
17	+	900242-05012	1	SCREW 5*12	
18	+	C531-000292	1	CASE, GEAR	
19	+	V340-000120	2	WASHER	
20	+	900724-00032	1	O-RING	



KEY	LV	PART NUMBER	Q'TY	DESCRIPTION	REMARKS
21	+	900162-04012	2	BOLT, H.S. 4*12	
22	+	C629-000020	1	STOPPER, ROTATION	
23	+	900212-04012	2	SCREW 4*12	
24	+	C465-000010	1	RESETTER, LATCH	
25	+	900560-00004	4	LOCKNUT	
26	+	900605-00004	2	WASHER, SPRING 4	
27	+	900105-05008	4	BOLT, H.S. 5*8	
28	+	C531-000302	1	CASE, GEAR	
29	+	900560-00005	2	NUT, LOCK 5	
30	+	900600-00005	2	WASHER 5	
31	+	351305-12360	1	HANDLE	
32	++	351315-12360	1	GRIP, HANDLE	
33	+	900142-05028	2	BOLT. 5*28. (W/W,SW).	
34	+	C534-000260	1	SHAFT, GEAR	
35	+	V651-000250	1	GEAR, BEVEL	
36	+	V307-000150	2	WASHER, CIRCULAR 10	
37	+	V555-000040	2	BEARING, NEEDLE 10	
38	+	900516-00005	2	NUT, FRANGE 5	
39	+	880110-10860	2	NIPPLE, GREASE	
40	+	V541-000130	2	SEAL	
41	+	900855-06900	1	BEARING, BALL 6900	
42	+	V583-000040	1	RING	
43	+	V651-000260	1	GEAR, BEVEL	
44	+	900800-06001	1	BEARING, BALL 6001	
45	+	C503-000072	1	HOLDER, BEARING	



KEY	LV	PART NUMBER	Q'TY	DESCRIPTION	REMARKS
46	+	C532-000140	2	ROD, CONNECTING	
47	+	C533-000041	1	CAM	
48	+	V110-000051	1	GASKET, GEAR CASE	
49	+	C539-000010	1	LID, GEAR CASE	
50	+	433022-06460	4	NUT	
51	+	699118-04560	5	WASHER	
52	+	C538-000120	1	GUIDE, CUTTER	
53	+	900212-05020	2	SCREW 5*20	
54	+	C538-000110	1	GUIDE, CUTTER	
55	+	C538-000100	1	GUIDE, CUTTER	
56	+	X495-000200	1	SCABBARD, BLADE	
57	+	X425-000220	1	SUPPORT, CUTTER	
58	+	X411-000350	2	CUTTER	
59	+	699115-04660	3	BOLT 6	
60	+	699115-07760	1	BOLT, CUTTER	
61	+	900162-04014	6	BOLT, H.S. 4*14	



KEY	LV	PART NUMBER	Q'TY	DESCRIPTION	REMARKS
		A021-001690	1	CARBURETOR,DIAPHRAGM	
1	+	A259-000010	2	CAP,LIMITER	
2	+	P005-000010	1	STRAINER	
3	+	125337-08260	1	VALVE,,INLET NEEDLE	
4	+	125338-13930	1	PIN, METERING ARM	
5	+	P005-000940	1	SPRING, METER. LEVER	
6	+	125323-08260	1	ARM, VALVE	
7	+	125339-42030	1	SCREW	
8	+	P005-002050	1	COVER ASY, ROTOR	
9	+	P005-000100	1	SCREW,THROTTLEADJUST	
10	+	125344-13931	3	SCREW	
11	+	P005-001240	1	POST	
12	+	P005-000190	1	E-RING	
13	+	P005-001780	1	DIAPHRAGM	
14	+	P005-000200	1	GASKET, METERING	
15	+	125342-52130	1	COVER, DIAPHRAGM	
16	+	125344-52130	3	SCREW	
17	+	P005-000510	1	DIAPHRAGM, PUMP	
18	+	P005-000520	1	GASKET, PUMP	
19	+	P005-001890	1	BASE, ASY PRIMER	
20	+	125381-46730	1	PUMP, PRIMING	
21	+	P005-000250	1	RETAINER	
22	+	P005-001900	4	SCREW	
23	+	P005-000270	1	SCREW	
24	+	P005-000280	1	O-RING	
25	+	P005-001000	1	ROLLER, GUIDE	
26	+	P005-001250	1	RETAINER,PLUG BALL	
27	+	P005-001260	1	SCREW,MAINN MIXTURE	

Index

Parts Number	Key No.	Parts Number	Key No.	Parts Number	Key No.
A011-000101	1 - 1	P005-001250	7 - 26	V583-000040	6 - 42
A021-001690	3 - 25	P005-001260	7 - 27	V583-000050	6 - 7
A021-001690	7 -	P005-001780	7 - 13	V583-000060	6 - 12
A051-001311	2 - 10	P005-001890	7 - 19	V622-000020	1 - 22
A052-000180	2 - 20	P005-001900	7 - 22	V642-000020	6 - 10
A056-000230	2 - 25	P005-002050	7 - 8	V651-000240	6 - 14
A101-000090	1 - 5	P021-007712	1 - 4	V651-000250	6 - 35
A127-000160	1 - 17	P021-008322	5 - 3	V651-000260	6 - 43
A130-000540	1 - 2	P021-010520	6 -	V804-000060	1 - 27
A160-001090	1 - 33	P021-012210	4 - 13	V804-000060	2 - 19
A172-000860	1 - 21	P021-012870	3 - 6	V804-000070	2 - 5
A232-000480	3 - 9	P021-014550	5 - 19	V804-000080	3 - 21
A259-000010	7 - 1	P021-015560	1 - 20	V805-000000	1 - 34
A313-000600	3 - 17	P021-015580	3 - 13	V805-000000	3 - 24
A320-000480	3 - 23	P022-002100	2 - 23	V805-000100	3 - 8
A350-000830	4 - 1	P022-006510	2 - 22	V805-000150	1 - 19
A356-000030	4 - 10	P022-006830	2 - 18	V805-000150	1 - 35
A365-000060	4 - 15	P022-006850	2 - 21	V805-000150	3 - 55
A409-000210	2 - 1	P022-008270	2 - 16	V805-000160	1 - 31
A411-000130	2 - 2	P022-008280	2 - 17	V805-000160	3 - 3
A425-000000	2 - 6	P022-019680	2 - 15	V805-000160	4 - 3
A426-000010	2 - 8	P022-019990	2 - 13	V805-000190	3 - 14
A427-000013	2 - 7	V043-000310	5 - 6	X411-000350	6 - 58
C050-000350	5 - 21	V100-000160	1 - 3	X425-000220	6 - 57
C423-000190	5 - 5	V103-000480	3 - 1	X495-000200	6 - 56
C465-000010	6 - 24	V103-000490	3 - 5	X502-000330	2 - 24
C503-000072	6 - 45	V104-000360	3 - 20	X505-002310	1 - 37
C531-000292	6 - 18	V104-000850	3 - 22	X547-001560	1 - 36
C531-000302	6 - 28	V110-000040	6 - 6	X605-000060	4 - 16
C532-000140	6 - 46	V110-000051	6 - 48	X690-000050	4 - 18
C533-000041	6 - 47	V137-000030	4 - 5	100013-11520	1 - 6
C534-000260	6 - 34	V150-000371	3 - 16	100014-11520	1 - 7
C538-000100	6 - 55	V299-000250	3 - 11	100015-04630	1 - 8
C538-000110	6 - 54	V306-000140	6 - 3	100204-52132	1 - 10
C538-000120	6 - 52	V307-000150	6 - 36	100212-42031	1 - 13
C539-000010	6 - 49	V340-000110	6 - 5	100215-03930	1 - 11
C629-000020	6 - 22	V340-000120	6 - 19	100242-42030	1 - 14
P005-000010	7 - 2	V340-000170	6 - 15	125323-08260	7 - 6
P005-000100	7 - 9	V347-000000	3 - 15	125337-08260	7 - 3
P005-000190	7 - 12	V347-000010	6 - 4	125338-13930	7 - 4
P005-000200	7 - 14	V353-000231	4 - 2	125339-42030	7 - 7
P005-000250	7 - 21	V355-000310	6 - 8	125342-52130	7 - 15
P005-000270	7 - 23	V450-000420	6 - 9	125344-13931	7 - 10
P005-000280	7 - 24	V471-001210	4 - 9	125344-52130	7 - 16
P005-000510	7 - 17	V471-001230	4 - 6	125381-46730	7 - 20
P005-000520	7 - 18	V475-004160	2 - 3	129011-52730	3 - 7
P005-000940	7 - 5	V485-001120	2 - 4	130017-44331	3 - 2
P005-001000	7 - 25	V541-000130	6 - 40	130310-54130	3 - 12
P005-001240	7 - 11	V555-000040	6 - 37	131016-55830	4 - 14

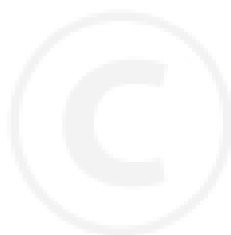
Index

Parts Number	Key No.	Parts Number	Key No.	Parts Number	Key No.
131205-07320	4 - 7	900242-05014	5 - 18		
132012-56030	4 - 12	900242-05025	5 - 13		
132013-09820	4 - 8	900242-05028	5 - 20		
145862-40630	3 - 19	900242-05035	5 - 12		
159116-21231	1 - 18	900242-05040	5 - 4		
162014-27230	1 - 16	900500-00005	3 - 4		
175005-48931	1 - 25	900500-00005	5 - 11		
175009-05131	2 - 26	900502-00006	3 - 56		
175018-05960	2 - 27	900515-00006	3 - 57		
177228-27030	2 - 12	900516-00005	6 - 38		
177236-61830	2 - 14	900529-00008	6 - 2		
177246-11120	2 - 11	900560-00004	6 - 25		
178003-52130	5 - 10	900560-00005	6 - 29		
178010-52130	5 - 16	900600-00005	6 - 30		
178012-52730	5 - 9	900603-00005	4 - 4		
178013-52630	5 - 7	900605-00004	6 - 26		
178043-42230	5 - 15	900701-00012	1 - 26		
178090-52632	5 - 8	900702-00022	6 - 11		
301200-29430	5 - 17	900702-00028	1 - 24		
351213-52130	5 - 14	900724-00032	6 - 20		
351305-12360	6 - 31	900800-06001	6 - 44		
351315-12360	6 - 32	900807-96001	1 - 23		
433022-06460	6 - 50	900855-06900	6 - 41		
610013-21560	5 - 22	900859-06900	6 - 13		
610910-55230	1 - 30	93000-16180	6 - 1		
610922-27432	1 - 28	94035-36201	1 - 12		
610923-55230	1 - 29				
699115-04660	6 - 59				
699115-07760	6 - 60				
699118-04560	6 - 51				
880110-10860	6 - 39				
890152-04930	5 - 2				
890157-39130	5 - 25				
890332-52730	3 - 10				
890617-12361	5 - 1				
895112-00330	4 - 17				
895410-03930	4 - 20				
895610-00130	4 - 21				
898510-07130	4 - 19				
900105-05008	6 - 27				
900142-05028	6 - 33				
900162-04012	6 - 21				
900162-04014	6 - 61				
900162-05022	1 - 9				
900162-05025	6 - 16				
900162-05028	1 - 15				
900212-04012	6 - 23				
900212-05020	6 - 53				
900242-05012	6 - 17				



7-2 SUEHIROCHO 1-CHOME, OHME, TOKYO 198-8711, JAPAN
PHONE: 81-428-32-6118. FAX: 81-428-32-6145.

///ECHO®



200904 No.66-036