



PARTS CATALOG

POWER PRUNER

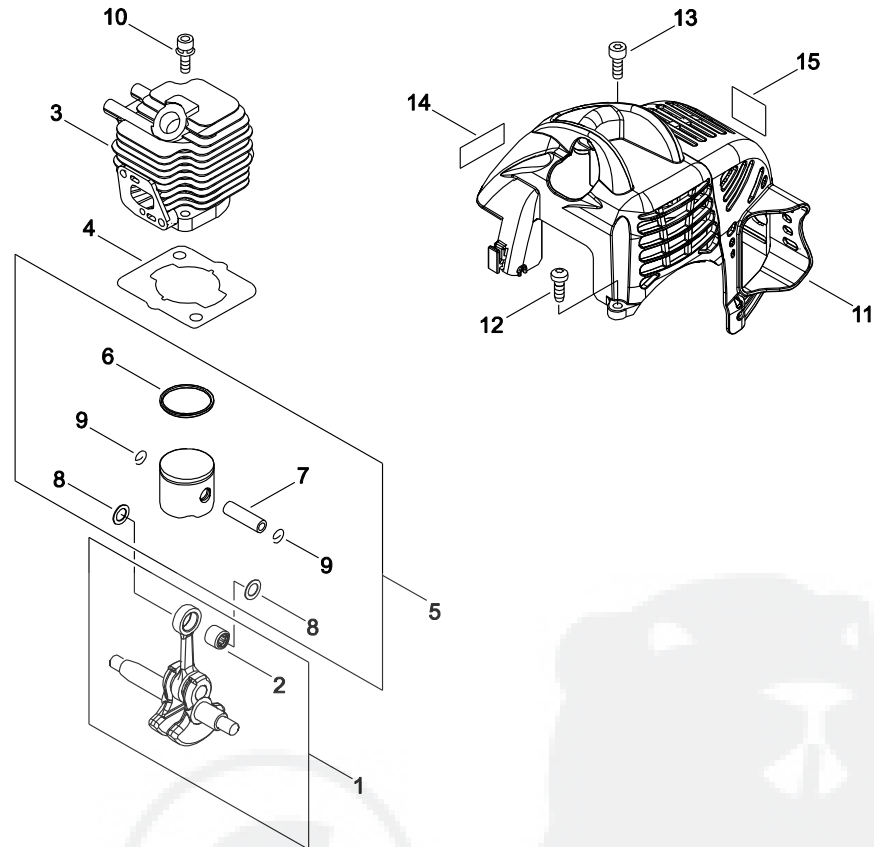
PPF-236ES(37)

E60037005001 -

CE

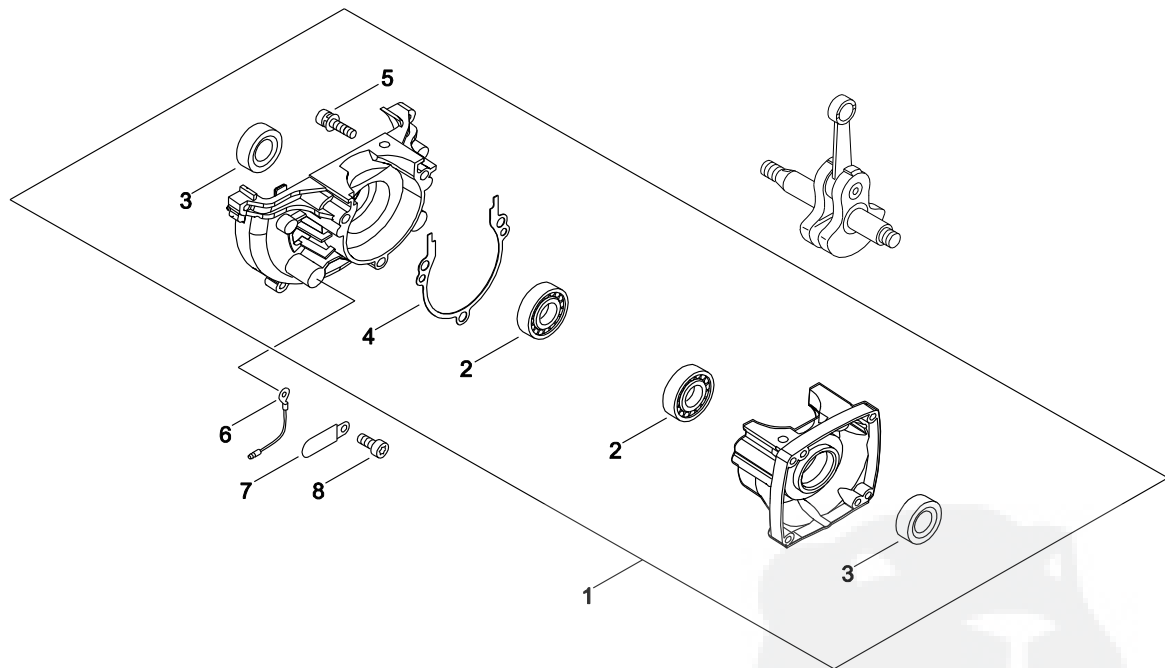
P014-005100-15G

1. CYLINDER, PISTON, CRANKSHAFT



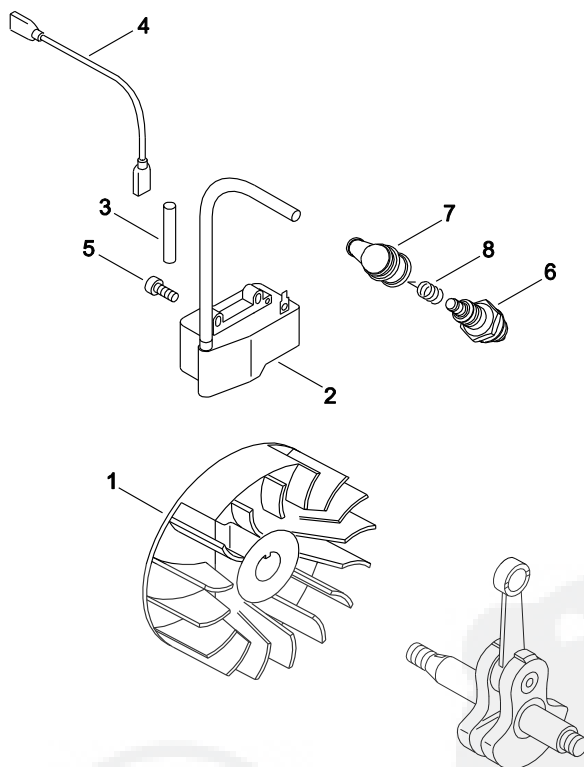
KEY	LV	PART NUMBER	Q'TY	DESCRIPTION	REMARKS	NOTE1	NOTE2
1		A011-001410	1	CRANKSHAFT,ASY			
2	+	V553-000060	1	BEARING,NEEDLE 8	HK0810FMV4		
3		A130-002100	1	CYLINDER			
4		101010-44332	1	GASKET, CYL. BASE			
5		P021-007712	1	PISTON KIT			
6	+	A101-000090	1	RING,PISTON			
7	+	100013-11520	1	PIN, PISTON			
8	+	100014-11520	2	SPACER, PISTON PIN			
9	+	100015-04630	2	CIRCLIP, PISTON PIN			
10		900162-05022	2	BOLT, H.S. 5*22	5*22 W,SW		
11		A160-001090	1	COVER,CYLINDER			
12		V805-000000	1	BOLT, TORX 5	TT-5*16 DG 10.9		
13		V805-000150	1	BOLT, TORX 5	TB-5*16 10.9		
14		X547-002670	1	LABEL,ECHO			
15		X505-008220	1	LABEL,CAUTION	HOT CAUTION		

2. CRANKCASE



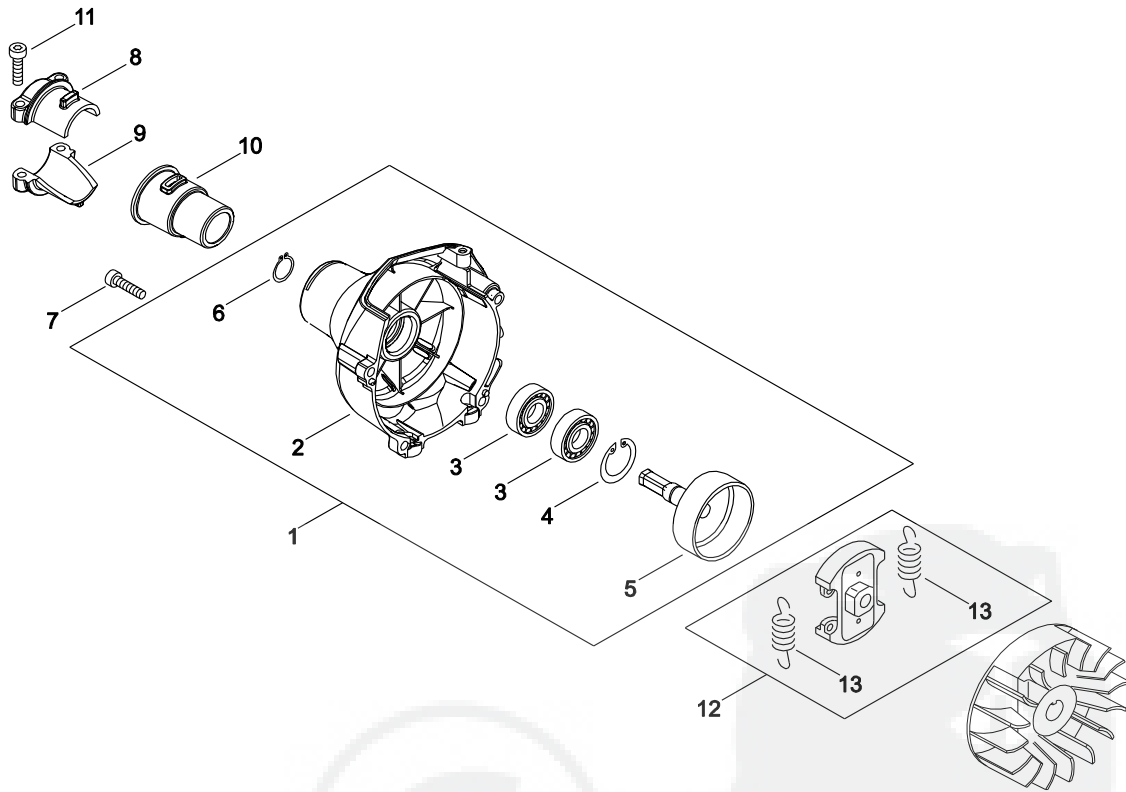
KEY	LV	PART NUMBER	Q'TY	DESCRIPTION	REMARKS	NOTE1	NOTE2
1		100204-52133	1	CRANKCASE KIT			
2	+	94035-36201	2	BEARING BALL	6201X3JR2C3		
3	+	100212-42031	2	OILSEAL	ISCD 12*22*4.5		
4	+	100242-42030	1	GASKET, CRANKCASE			
5	+	900162-05028	3	BOLT, H.S. 5*28	5*28 W,SW		
6		162014-27230	1	LEAD, GROUND			
7		159116-21231	1	CLAMP			
8		V805-000130	1	BOLT, TORX 5	TB-5*10 10.9		

3. MAGNETO



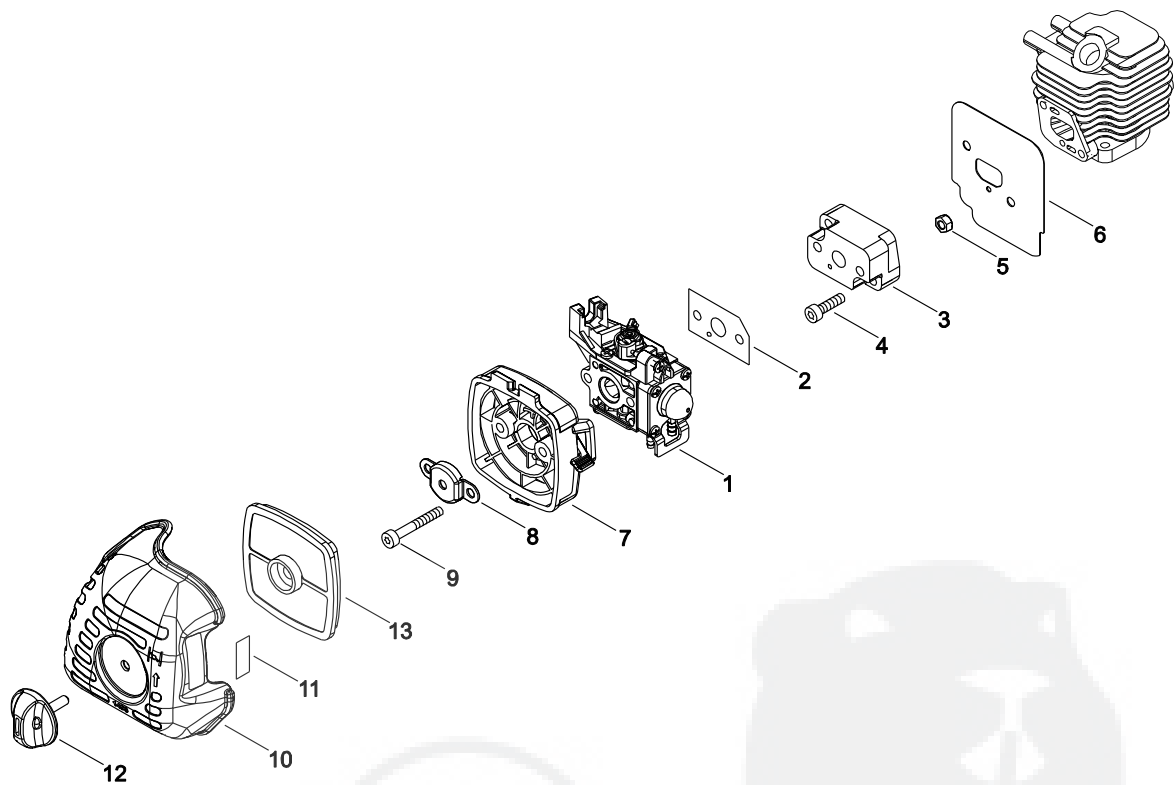
KEY	LV	PART NUMBER	Q'TY	DESCRIPTION	REMARKS	NOTE1	NOTE2
1		A409-000160	1	ROTOR,MAGNETO			
2		A411-000130	1	COIL,IGNITION			
3		V475-007200	1	TUBE	SSG-3Φ8*L65		
4		V485-001120	1	LEAD	L210 #187 CB104		
5		V804-000070	2	BOLT, TORX 4	TB-4*20 12.9		
6		A425-000000	1	SPARKPLUG	BPMR8Y		
7		A427-000013	1	CAP,SPARK PLUG			
8		A426-000010	1	TERMINAL,SPARKPLUG			

4. CLUTCH



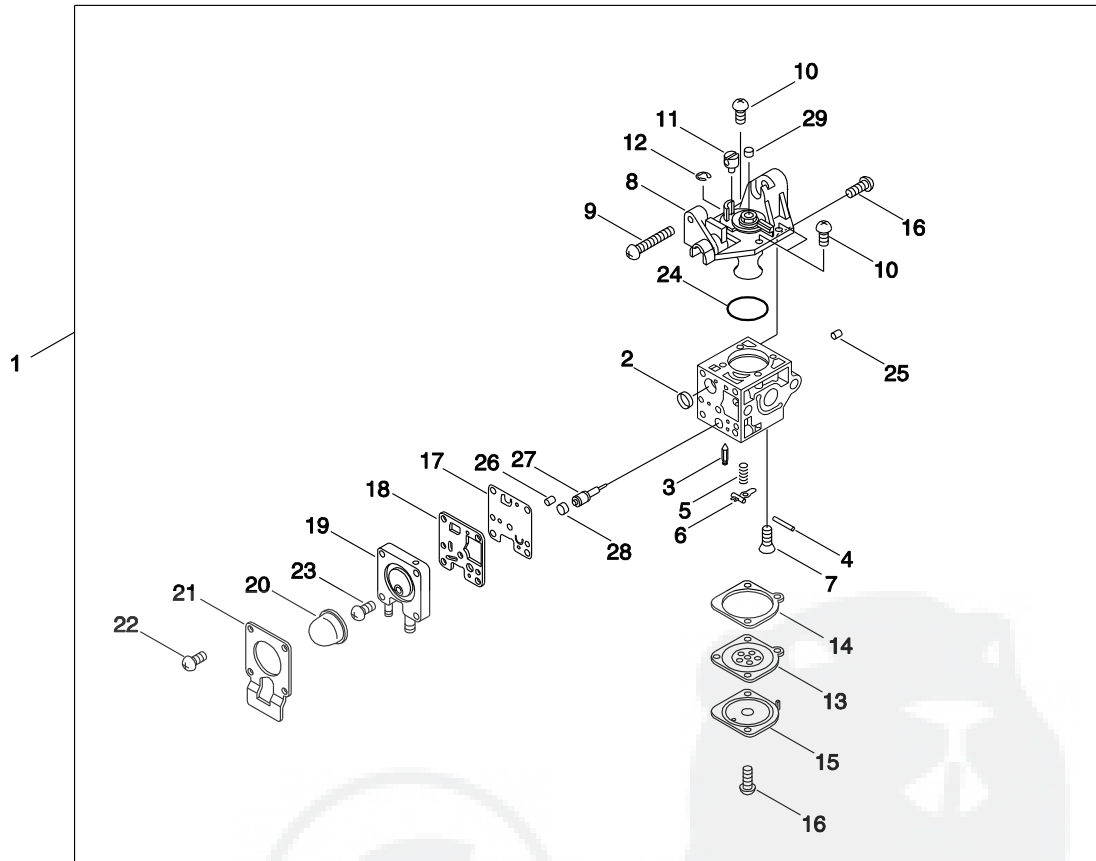
KEY	LV	PART NUMBER	Q'TY	DESCRIPTION	REMARKS	NOTE1	NOTE2
1		P021-049960	1	COVER,FAN ASY			
2	+	A172-000860	1	COVER,FAN			
3	+	94051-06001	2	BEARING, BALL	PEER RLD GREASE		
4	+	900702-00028	1	CIRCLIP 28	CR-28		
5	+	175005-48931	1	DRUM, CLUTCH			
6	+	900701-00012	1	CIRCLIP 12	CS-12		
7		V804-000060	4	BOLT, TORX 4	TB-4*16 10.9		
8		610922-27432	1	HOLDER			
9		610923-55230	1	HOLDER			
10		610910-55230	1	CUSHION			
11		V805-000160	2	BOLT, TORX 5	TB-5*20 10.9 22 C0.5 D50		
12		A056-000780	1	CLUTCH ASY	NONR		
13	+	V451-000680	2	SPRING,TENSION			

5. AIR CLEANER, CARBURETOR



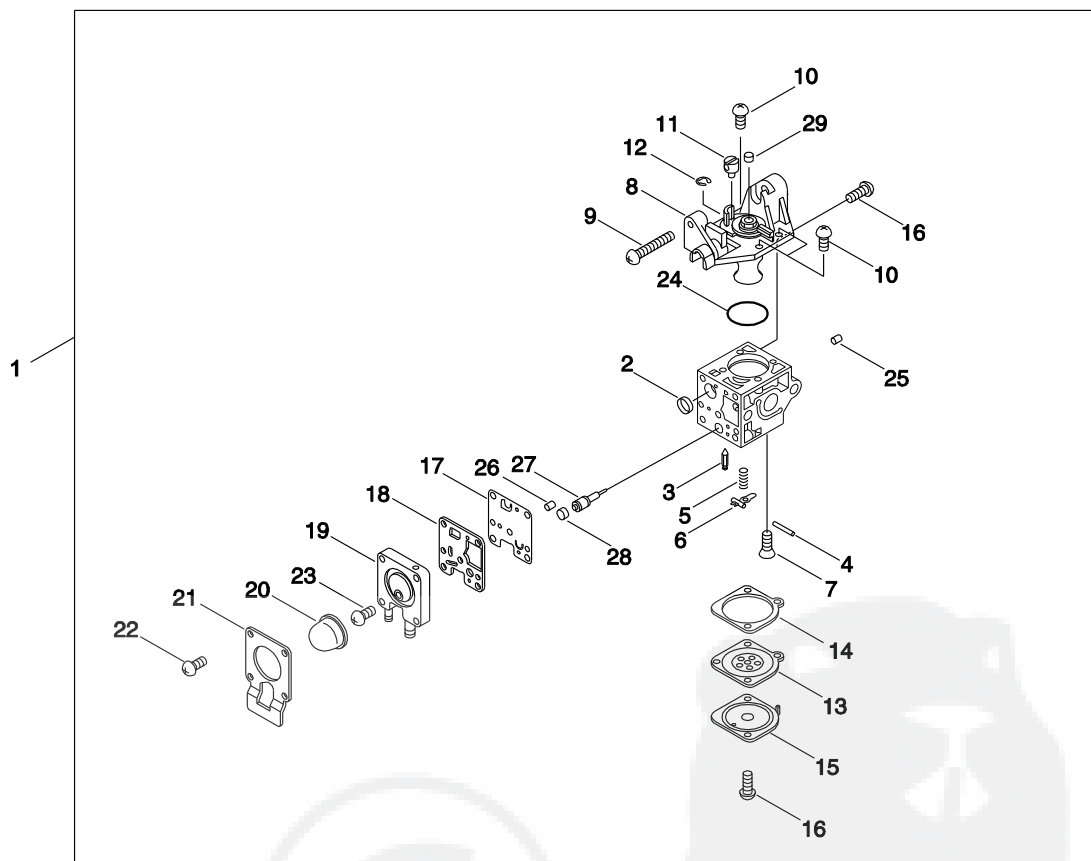
KEY	LV	PART NUMBER	Q'TY	DESCRIPTION	REMARKS	NOTE1	NOTE2
1		A021-003881	1	CARBURETOR,DIAPHRAGM	ZAMA RB-K113		
2		V103-001390	1	GASKET,INTAKE			
3		130017-44331	1	INSULATOR			
4		V805-000160	2	BOLT, TORX 5	TB-5*20 10.9		
5		900500-00005	2	NUT 5	5		
6		V103-001360	1	GASKET,INTAKE			
7		P021-050030	1	CASE,CLEANER			
8		129011-52730	1	PLATE, PREVENT			
9		V805-000100	2	BOLT, TORX 5	TB-5*65 10.9		
10		A232-000480	1	LID,CLEANER			
11		890332-52730	1	LABEL, CHOKE			
12		V299-000250	1	KNOB,FASTENER			
13		A226-001410	1	ELEMENT,AIR FILTER			

6. CARBURETOR



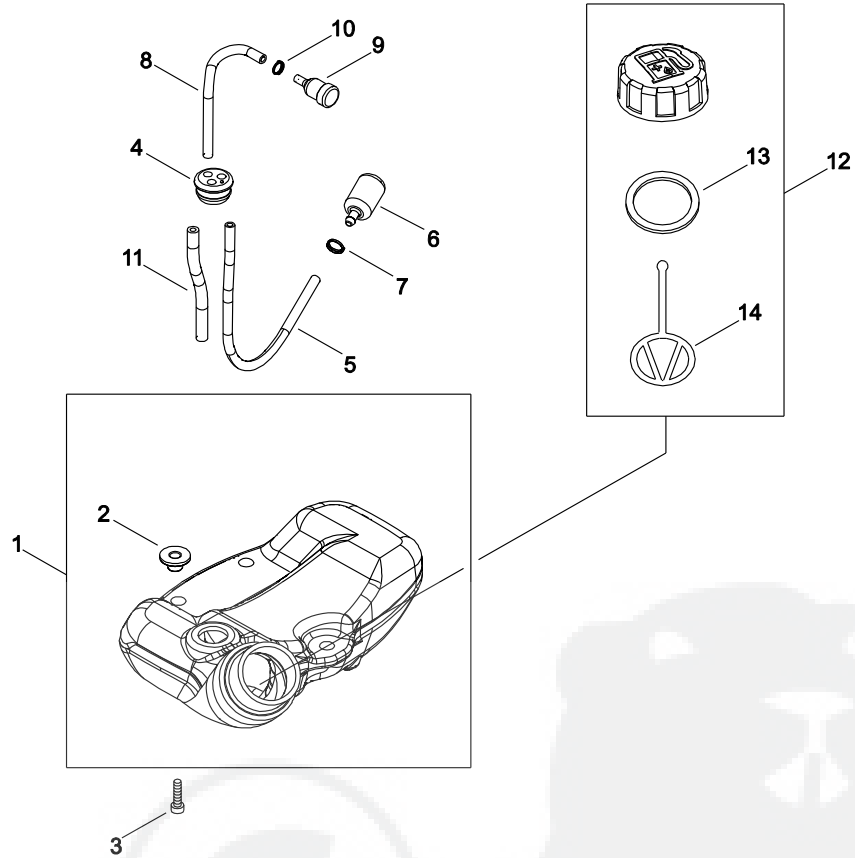
KEY	LV	PART NUMBER	Q'TY	DESCRIPTION	REMARKS	NOTE1	NOTE2
1		A021-003881	1	CARBURETOR,DIAPHRAGM	ZAMA RB-K113		
2	+	P005-000010	1	STRAINER			
3	+	125337-08260	1	VALVE, INLET NEEDLE			
4	+	125338-13930	1	PIN, METERING ARM			
5	+	P005-002430	1	SPRING, MET. LEVER			
6	+	125323-08260	1	ARM, VALVE			
7	+	125339-42030	1	SCREW			
9	+	P005-000100	1	SCREW,THROTTLADJUST			
10	+	125344-13931	3	SCREW			
11	+	P005-001240	1	POST			
12	+	P005-000190	1	E-RING			
13	+	P005-002230	1	DIAPHRAGM METERING			
14	+	P005-000200	1	GASKET, METERING			
15	+	125342-52130	1	COVER, DIAPHRAGM			
16	+	125344-52130	3	SCREW			
17	+	P005-000510	1	DIAPHRAGM, PUMP			
18	+	P005-000520	1	GASKET, PUMP			
19	+	P005-001890	1	BASE, ASY PRIMER			
20	+	P005-003110	1	PUMP, PRIMER			
21	+	P005-000250	1	RETAINER			
22	+	P005-001900	4	SCREW			
23	+	P005-000270	1	SCREW			
24	+	P005-000280	1	O-RING			
25	+	P005-001000	1	ROLLER, GUIDE			
26	+	P005-001250	1	RETAINER,PLUG BALL			

6. CARBURETOR



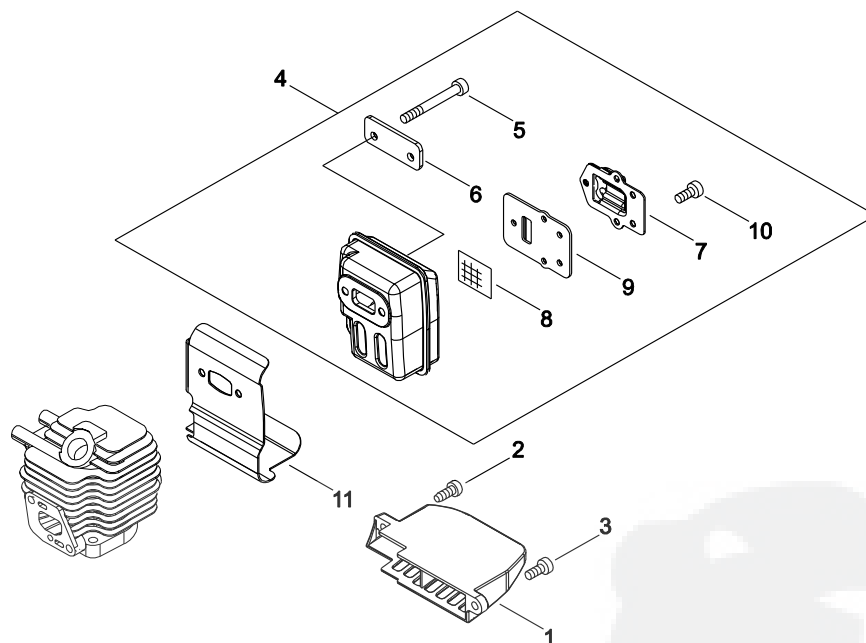
KEY	LV	PART NUMBER	Q'TY	DESCRIPTION	REMARKS	NOTE1	NOTE2
27	+	P005-001260	1	SCREW,MAINN MIXTURE			
28	+	P005-001270	1	PLUG, H AJUST SCREW			
29	+	A259-000010	1	CAP,LIMITER			

7. FUEL TANK



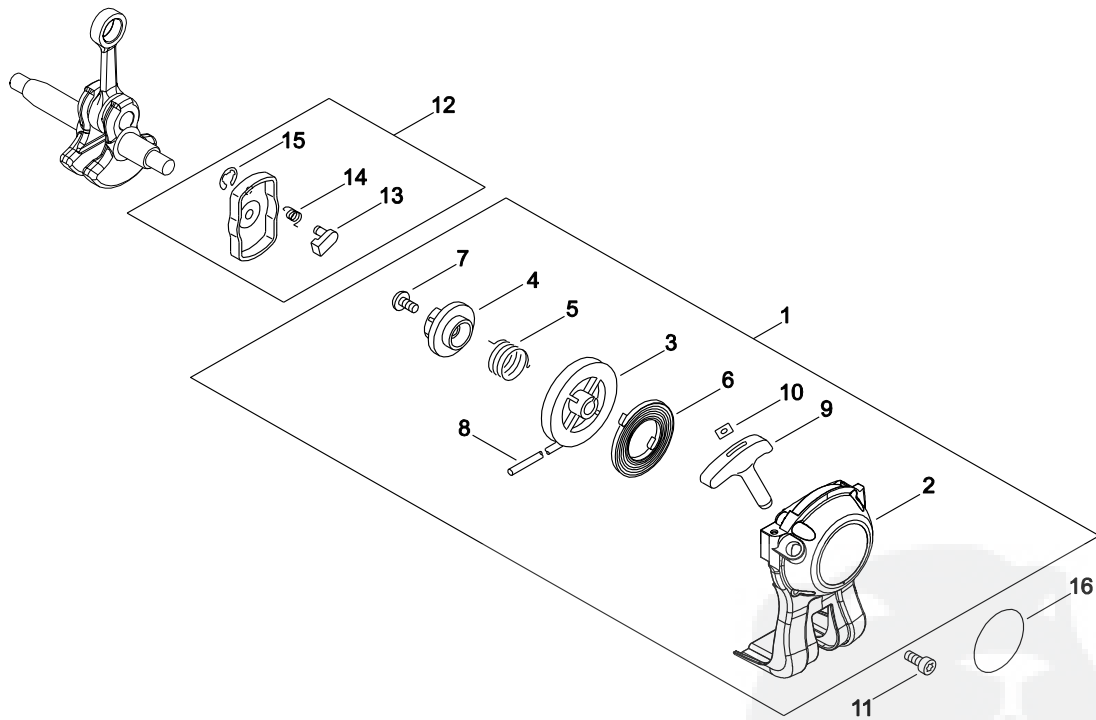
KEY	LV	PART NUMBER	Q'TY	DESCRIPTION	REMARKS	NOTE1	NOTE2
1		A350-002270	1	TANK, FUEL			
2	+	V353-000231	3	COLLAR,5	16*5.5 L6 T2		
3		V805-000160	3	BOLT, TORX 5	TB-5*20 10,9		
4		132115-46730	1	GROMMET, FUEL			
5		V470-000840	1	PIPE			
6		A369-000480	1	STRAINER, FUEL	125-959		
7		V490-001240	1	CLIP			
8		V471-001210	1	PIPE	3*5*90 NBR		
9		A356-000031	1	VALVE,CHECK			
10		V490-001240	1	CLIP			
11		132012-56030	1	PIPE	3*6*80 YL		
12		P021-012210	1	CAP,FUEL ASY			
13	+	131016-55830	1	GASKET, FUEL CAP			
14	+	A365-000060	1	CONNECTOR,CAP	L=123		

8. MUFFLER



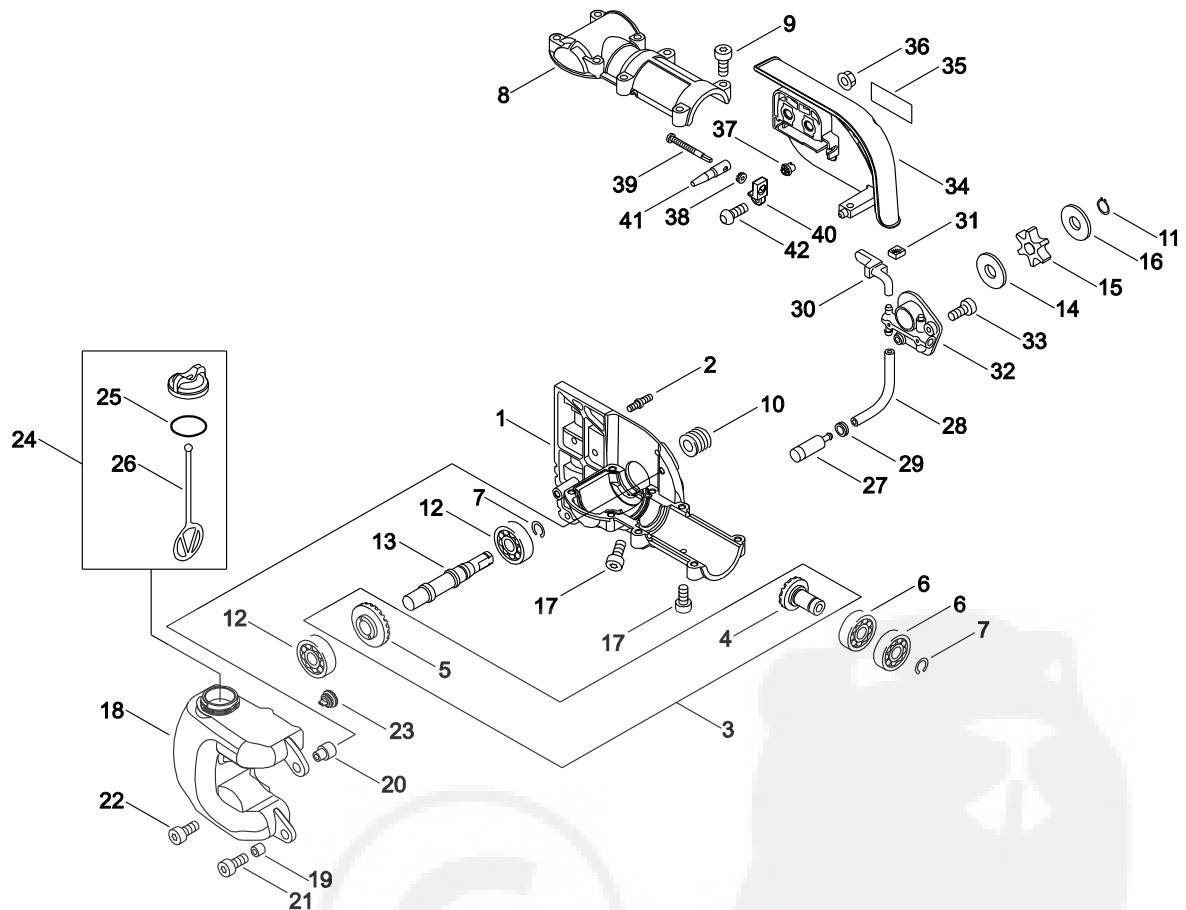
KEY	LV	PART NUMBER	Q'TY	DESCRIPTION	REMARKS	NOTE1	NOTE2
1		A320-000480	1	COVER,MUFFLER			
2		V805-000000	1	BOLT, TORX 5	TT-5*16 DG 10.9		
3		V805-000150	1	BOLT, TORX 5	TB-5*16 10.9		
4		P021-036111	1	MUFFLER ASY	SRM-235ES		
5	+	V805-000190	2	BOLT, TORX 5	TB-5*55 12.9		
6	+	V150-000371	1	PLATE,EYE			
7	+	A313-000600	1	GUIDE,EXH			
8	+	145862-40630	1	SCREEN, MUFFLER			
9	+	V104-001760	1	GASKET,EXHAUST			
10	+	V804-000030	5	BOLT, TORX 4	TB-4*8 10.9		
11		V104-000850	1	GASKET,EXHAUST	T1.0		

9. RECOIL STARTER, PULLEY



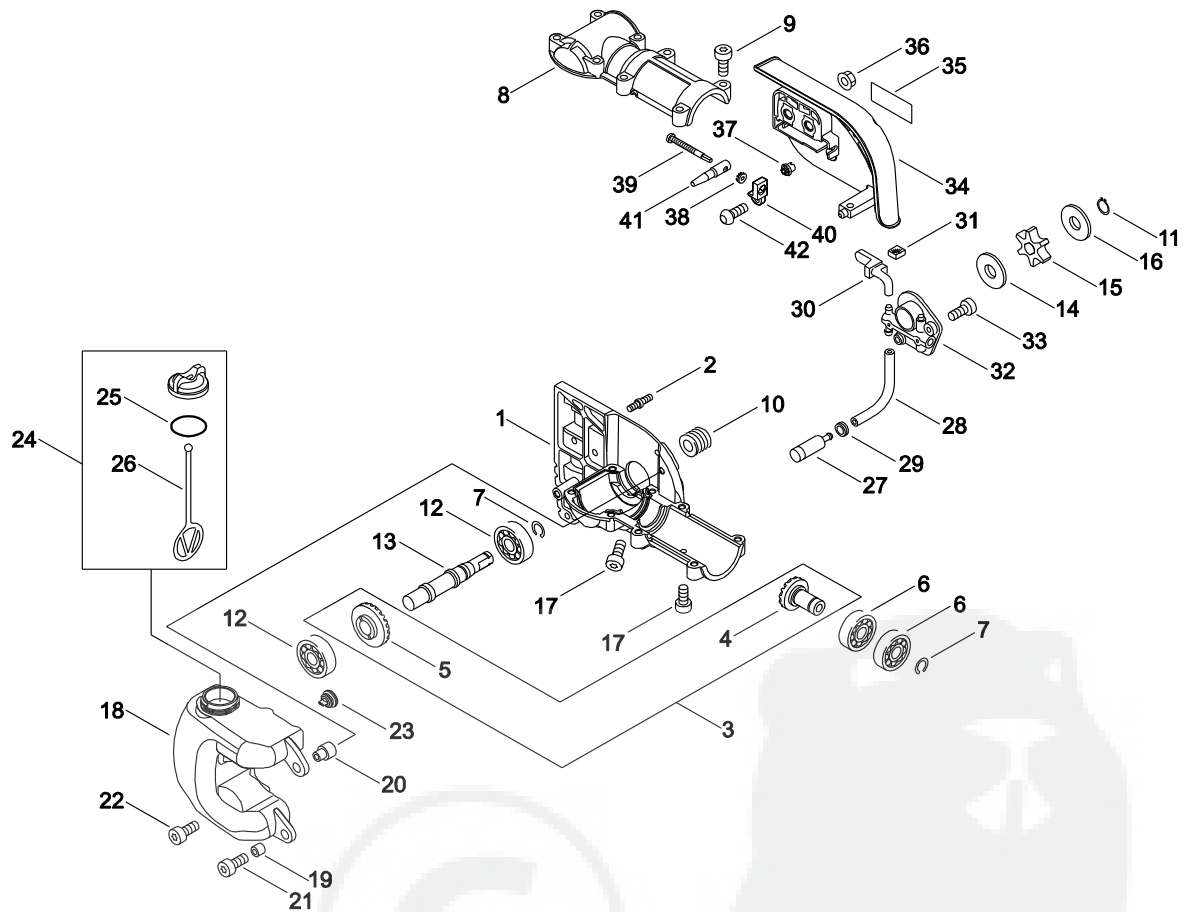
KEY	LV	PART NUMBER	Q'TY	DESCRIPTION	REMARKS	NOTE1	NOTE2
1		A051-001312	1	STARTER,RECOIL ASY			
2	+	P022-036970	1	CASE,STARTER			
3	+	P022-034040	1	DRUM, STARTER			
4	+	P022-034030	1	PLATE, CAM			
5	+	P022-008270	1	SPRING,DAMPER			
6	+	P022-019680	1	SPRING, SPIRAL			
7	+	177236-61830	1	SCREW			
8	+	P022-019990	1	ROPE, STARTER			
9	+	177228-27030	1	GRIP, STARTER			
10	+	P022-037670	1	STOPPER, ROPE			
11		V804-000060	4	BOLT, TORX 4	TB-4*16 10.9		
12		A052-000180	1	PULLEY,ASM STARTER			
13	+	P022-006850	2	PAWL, STARTER			
14	+	P022-006510	2	SPRING, RETURN			
15	+	P022-002100	2	E-RING	4		
16		X502-000330	1	LABEL,ECHO	ECHO		

10. GEAR CASE



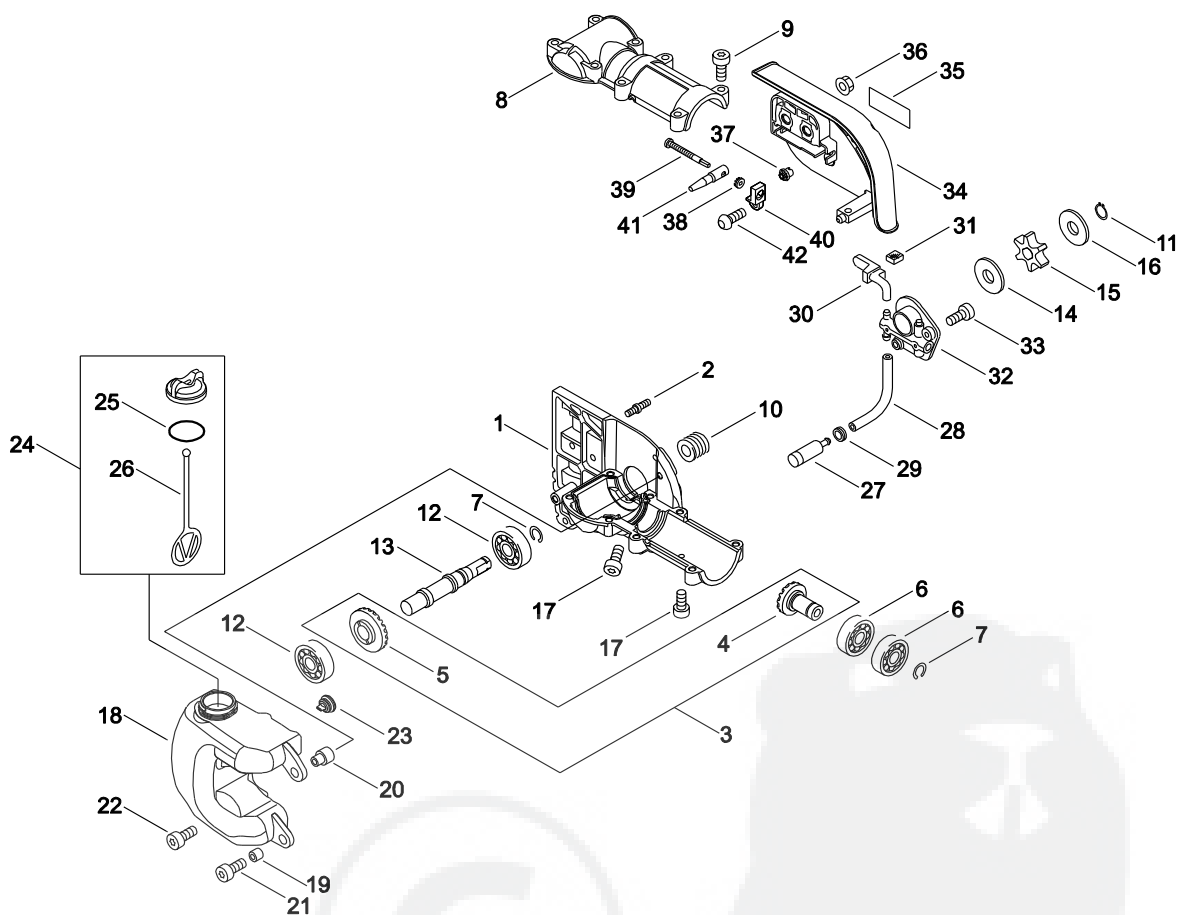
KEY	LV	PART NUMBER	Q'TY	DESCRIPTION	REMARKS	NOTE1	NOTE2
1		C531-000460	1	CASE, GEAR			
2		V224-000040	2	BOLT, STUD 6	15MM*19MM M6		
3		P021-009731	1	GEAR, BEVEL SET			
4	+	V651-000230	1	GEAR, BEVEL	MG 80.2310.001		
5	+	V651-000201	1	GEAR, BEVEL	MG 0600.2259		
6		94052-06001	2	BEARING BALL	PEER LLU, DDU 2RS		
7		900706-00012	2	CIRCLIP 12	WR-12		
8		C531-000010	1	CASE, GEAR	25.5		
9		V805-000170	8	BOLT, TORX 5	TB-5*25 10.9		
10		437063-38330	1	GEAR, WORM			
11		V583-000090	1	RING	EXTERNAL RING		
12		94052-06001	2	BEARING BALL	PEER LLU, DDU 2RS		
13		C534-000430	1	SHAFT, GEAR			
14		175014-39131	1	WASHER, CLUTCH	10.2*24.5*1.2		
15		C580-000070	1	SPROCKET, DRIVE			
16		V307-000160	1	WASHER, CIRCULAR 10	10.2*29.5*T=1.2		
17		V805-000130	2	BOLT, TORX 5	TB-5*10 10.9		
18		C200-000081	1	TANK, OIL	POWER PRUNER		
19		131045-28230	2	COLLAR			

10. GEAR CASE



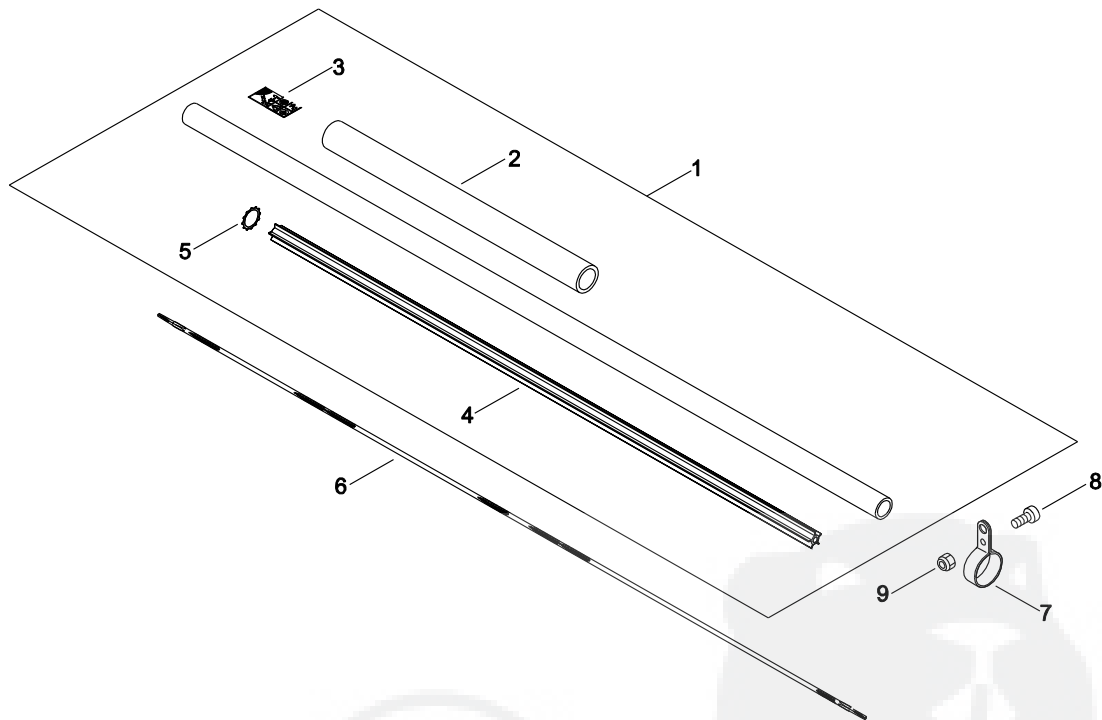
KEY	LV	PART NUMBER	Q'TY	DESCRIPTION	REMARKS	NOTE1	NOTE2
20		V354-000010	1	COLLAR,6			
21		V805-000160	2	BOLT, TORX 5	TB-5*20 10.9		
22		V805-000170	1	BOLT, TORX 5	TB-5*25 10.9		
23		131314-06320	1	VALVE, CHECK			
24		P021-005591	1	CAP ASY			
25	+	900720-00018	1	O-RING 18	P-18		
26	+	A365-000050	1	CONNECTOR,CAP			
27		436205-02832	1	STRAINER, OIL			
28		130110-12330	1	PIPE, IMPULSE	3*6*70L		
29		132115-01461	1	GROMMET			
30		V470-000180	1	PIPE			
31		437244-39130	1	PAD, FORM			
32		C022-000010	1	OILER,ASM AUTO			
33		V805-000130	2	BOLT, TORX 5	TB-5*10 10.9		
34		C300-000920	1	GUARD, SPROCKET	COVER W/SCREW		
35		X502-000600	1	LABEL,ECHO	48MM*15MM + ECHO		
36		433019-03933	2	NUT, FLANGE 6	6		
37		V651-000320	1	GEAR,BEVEL	14 TEETH 10MM LG		
38		V651-000310	1	GEAR,BEVEL	14 TEETH 3.0 SQ.		
39		V203-000041	1	BOLT,5			
40		V355-000140	1	COLLAR,8			

10. GEAR CASE



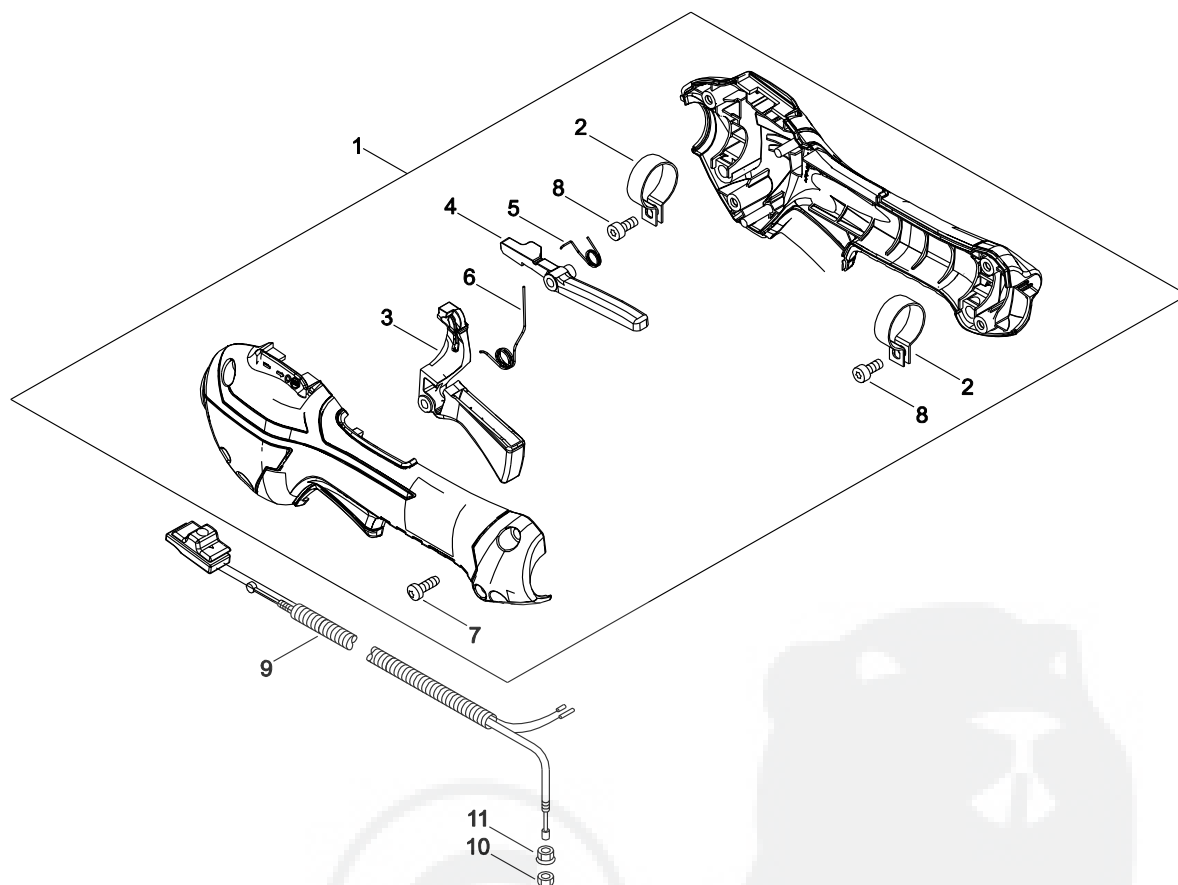
KEY	LV	PART NUMBER	Q'TY	DESCRIPTION	REMARKS	NOTE1	NOTE2
41		C309-000030	1	TENSIONER,CHAIN			
42		V252-000040	1	SCREW,4	4*8 PT SCREW		

11. MAIN PIPE



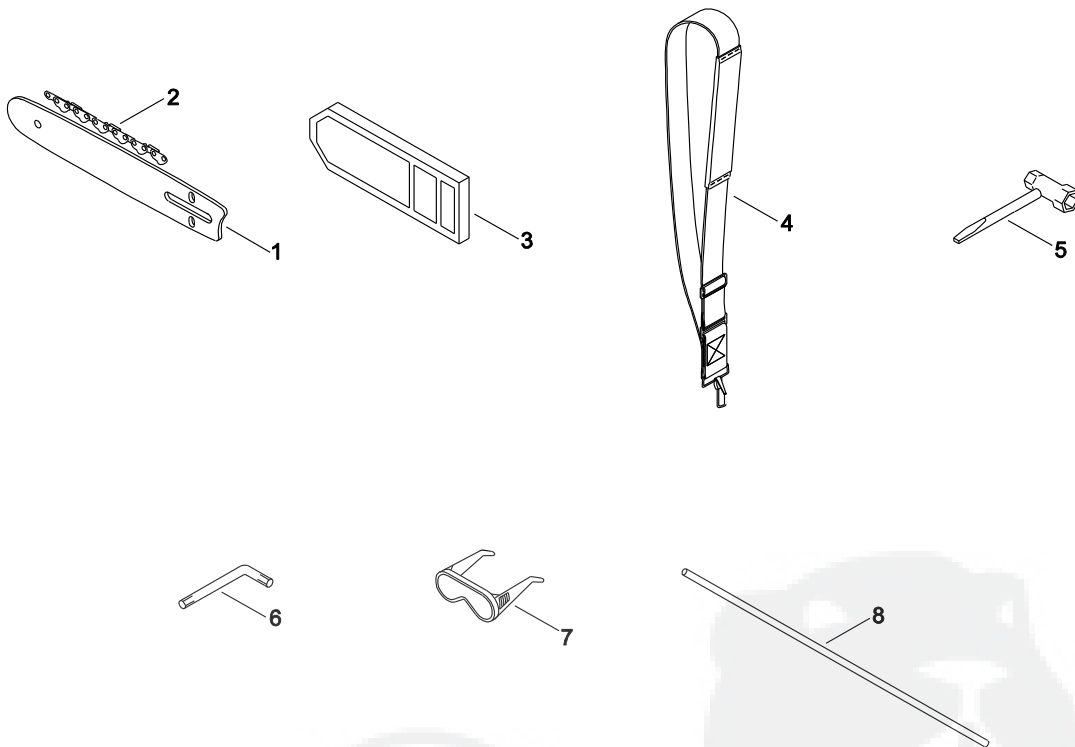
KEY	LV	PART NUMBER	Q'TY	DESCRIPTION	REMARKS	NOTE1	NOTE2
1		C050-002400	1	PIPE, MAIN	PPF-235ES ASM		
2	+	C403-000200	1	GRIP, HANDLE	24.7 * 33 * 483		
3	+	X505-001822	1	LABEL, CAUTION	ISO WARNINGS		
4	+	610217-22061	1	LINER, FLEXIBLE			
5	+	900038-00100	1	WASHER, EXTERNAL			
6		610013-22060	1	SHAFT, FLEXIBLE			
7		300610-22061	1	BRACKET, HARNESS	24.69/24.84 I.D.		
8		V805-000130	1	BOLT, TORX 5	TB-5*10 10.9		
9		900560-00005	1	NUT, LOCK 5	5		

12. THROTTLE



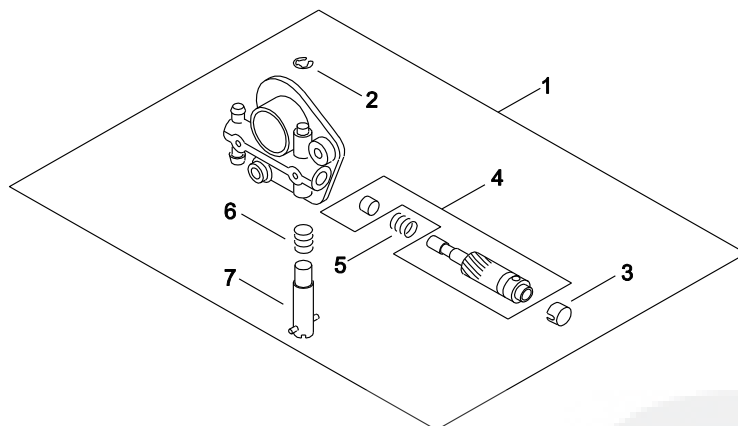
KEY	LV	PART NUMBER	QTY	DESCRIPTION	REMARKS	NOTE1	NOTE2
1		P021-047691	1	GRIP ASY			
2	+	V495-003020	2	BAND			
3	+	C453-000482	1	LEVER, THROTTLE	SRM-225 REDESIGN		
4	+	C460-000441	1	LOCKOUT, THROTTLE	SRM-225 REDESIGN		
5	+	V452-001510	1	SPRING,TORSION	LOCKOUT LEVER		
6	+	V452-001520	1	SPRING,TORSION	THROTTLE LEVER		
7	+	V805-000000	4	BOLT, TORX 5	TT-5*16 DG 10.9		
8	+	V805-000150	2	BOLT, TORX 5	TB-5*16 10.9		
9		P021-047700	1	CABLE ASY, CONTROL			
10		900502-00006	1	NUT 6 (3N)	3N6		
11		900518-00006	1	NUT, FLANGE	6		

13. ACCESSORIES



KEY	LV	PART NUMBER	Q'TY	DESCRIPTION	REMARKS	NOTE1	NOTE2
1		X121-000060	1	BAR,GUIDE 25	10A0CD3739		
2		X221-000070	1	CHAIN,SAW			
3		X490-000060	1	SCABBARD,CHAIN			
4		301000-22060	1	HARNESS ASY,SHOULDER			
5		895410-39132	1	WRENCH, W/S-DRIVER			
6		X605-000060	1	TOOL,L WRENCH	80*30 T27 2-ENDS		
7		X690-000080	1	GOGGLE	SI CHINA, Z87.1		
8		X474-000000	1	CORD			

14. AUTO-OILER



KEY	LV	PART NUMBER	Q'TY	DESCRIPTION	REMARKS	NOTE1	NOTE2
1		C022-000010	1	OILER,ASM AUTO			
2	+	125327-15130	1	CLIP			
3	+	P022-010640	1	CAP, OIL PUMP			
4	+	P022-010650	1	PLUNGER			
5	+	P022-010660	1	SPRING			
6	+	P022-010670	1	SPRING			
7	+	P022-010680	1	SCREW ASS'Y, ADJUST			

Index

Patrs Number	Key No.	Patrs Number	Key No.	Patrs Number	Key No.
100013-11520	1 - 7	900518-00006	12 - 11	P005-000100	6 - 9
100014-11520	1 - 8	900560-00005	11 - 9	P005-000190	6 - 12
100015-04630	1 - 9	900701-00012	4 - 6	P005-000200	6 - 14
100204-52133	2 - 1	900702-00028	4 - 4	P005-000250	6 - 21
100212-42031	2 - 3	900706-00012	10 - 7	P005-000270	6 - 23
100242-42030	2 - 4	900720-00018	10 - 25	P005-000280	6 - 24
101010-44332	1 - 4	94035-36201	2 - 2	P005-000510	6 - 17
125323-08260	6 - 6	94051-06001	4 - 3	P005-000520	6 - 18
125327-15130	14 - 2	94052-06001	10 - 6	P005-001000	6 - 25
125337-08260	6 - 3	94052-06001	10 - 12	P005-001240	6 - 11
125338-13930	6 - 4	A011-001410	1 - 1	P005-001250	6 - 26
125339-42030	6 - 7	A021-003881	5 - 1	P005-001260	6 - 27
125342-52130	6 - 15	A021-003881	6 - 1	P005-001270	6 - 28
125344-13931	6 - 10	A051-001312	9 - 1	P005-001890	6 - 19
125344-52130	6 - 16	A052-000180	9 - 12	P005-001900	6 - 22
129011-52730	5 - 8	A056-000780	4 - 12	P005-002230	6 - 13
130017-44331	5 - 3	A101-000090	1 - 6	P005-002430	6 - 5
130110-12330	10 - 28	A130-002100	1 - 3	P005-003110	6 - 20
131016-55830	7 - 13	A160-001090	1 - 11	P021-005591	10 - 24
131045-28230	10 - 19	A172-000860	4 - 2	P021-007712	1 - 5
131314-06320	10 - 23	A226-001410	5 - 13	P021-009731	10 - 3
132012-56030	7 - 11	A232-000480	5 - 10	P021-012210	7 - 12
132115-01461	10 - 29	A259-000010	6 - 29	P021-036111	8 - 4
132115-46730	7 - 4	A313-000600	8 - 7	P021-047691	12 - 1
145862-40630	8 - 8	A320-000480	8 - 1	P021-047700	12 - 9
159116-21231	2 - 7	A350-002270	7 - 1	P021-049960	4 - 1
162014-27230	2 - 6	A356-000031	7 - 9	P021-050030	5 - 7
175005-48931	4 - 5	A365-000050	10 - 26	P022-002100	9 - 15
175014-39131	10 - 14	A365-000060	7 - 14	P022-006510	9 - 14
177228-27030	9 - 9	A369-000480	7 - 6	P022-006850	9 - 13
177236-61830	9 - 7	A409-000160	3 - 1	P022-008270	9 - 5
300610-22061	11 - 7	A411-000130	3 - 2	P022-010640	14 - 3
301000-22060	13 - 4	A425-000000	3 - 6	P022-010650	14 - 4
433019-03933	10 - 36	A426-000010	3 - 8	P022-010660	14 - 5
436205-02832	10 - 27	A427-000013	3 - 7	P022-010670	14 - 6
437063-38330	10 - 10	C022-000010	10 - 32	P022-010680	14 - 7
437244-39130	10 - 31	C022-000010	14 - 1	P022-019680	9 - 6
610013-22060	11 - 6	C050-002400	11 - 1	P022-019990	9 - 8
610217-22061	11 - 4	C200-000081	10 - 18	P022-034030	9 - 4
610910-55230	4 - 10	C300-000920	10 - 34	P022-034040	9 - 3
610922-27432	4 - 8	C309-000030	10 - 41	P022-036970	9 - 2
610923-55230	4 - 9	C403-000200	11 - 2	P022-037670	9 - 10
890332-52730	5 - 11	C453-000482	12 - 3	V103-001360	5 - 6
895410-39132	13 - 5	C460-000441	12 - 4	V103-001390	5 - 2
900038-00100	11 - 5	C531-000010	10 - 8	V104-000850	8 - 11
900162-05022	1 - 10	C531-000460	10 - 1	V104-001760	8 - 9
900162-05028	2 - 5	C534-000430	10 - 13	V150-000371	8 - 6
900500-00005	5 - 5	C580-000070	10 - 15	V203-000041	10 - 39
900502-00006	12 - 10	P005-000010	6 - 2	V224-000040	10 - 2

Index

Patrs Number	Key No.	Patrs Number	Key No.	Patrs Number	Key No.
V252-000040	10 - 42	X502-000330	9 - 16		
V299-000250	5 - 12	X502-000600	10 - 35		
V307-000160	10 - 16	X505-001822	11 - 3		
V353-000231	7 - 2	X505-008220	1 - 15		
V354-000010	10 - 20	X547-002670	1 - 14		
V355-000140	10 - 40	X605-000060	13 - 6		
V451-000680	4 - 13	X690-000080	13 - 7		
V452-001510	12 - 5				
V452-001520	12 - 6				
V470-000180	10 - 30				
V470-000840	7 - 5				
V471-001210	7 - 8				
V475-007200	3 - 3				
V485-001120	3 - 4				
V490-001240	7 - 7				
V490-001240	7 - 10				
V495-003020	12 - 2				
V553-000060	1 - 2				
V583-000090	10 - 11				
V651-000201	10 - 5				
V651-000230	10 - 4				
V651-000310	10 - 38				
V651-000320	10 - 37				
V804-000030	8 - 10				
V804-000060	4 - 7				
V804-000060	9 - 11				
V804-000070	3 - 5				
V805-000000	1 - 12				
V805-000000	8 - 2				
V805-000000	12 - 7				
V805-000100	5 - 9				
V805-000130	2 - 8				
V805-000130	10 - 17				
V805-000130	10 - 33				
V805-000130	11 - 8				
V805-000150	1 - 13				
V805-000150	8 - 3				
V805-000150	12 - 8				
V805-000160	4 - 11				
V805-000160	5 - 4				
V805-000160	7 - 3				
V805-000160	10 - 21				
V805-000170	10 - 9				
V805-000170	10 - 22				
V805-000190	8 - 5				
X121-000060	13 - 1				
X221-000070	13 - 2				
X474-000000	13 - 8				
X490-000060	13 - 3				

YAMABIKO CORPORATION

7-2 SUEHIROCHO 1-CHOME, OHME, TOKYO 198-8760, JAPAN
PHONE: 81-428-32-6118. FAX: 81-428-32-6145.



ECHO[®]

-15G
No. 07-198