



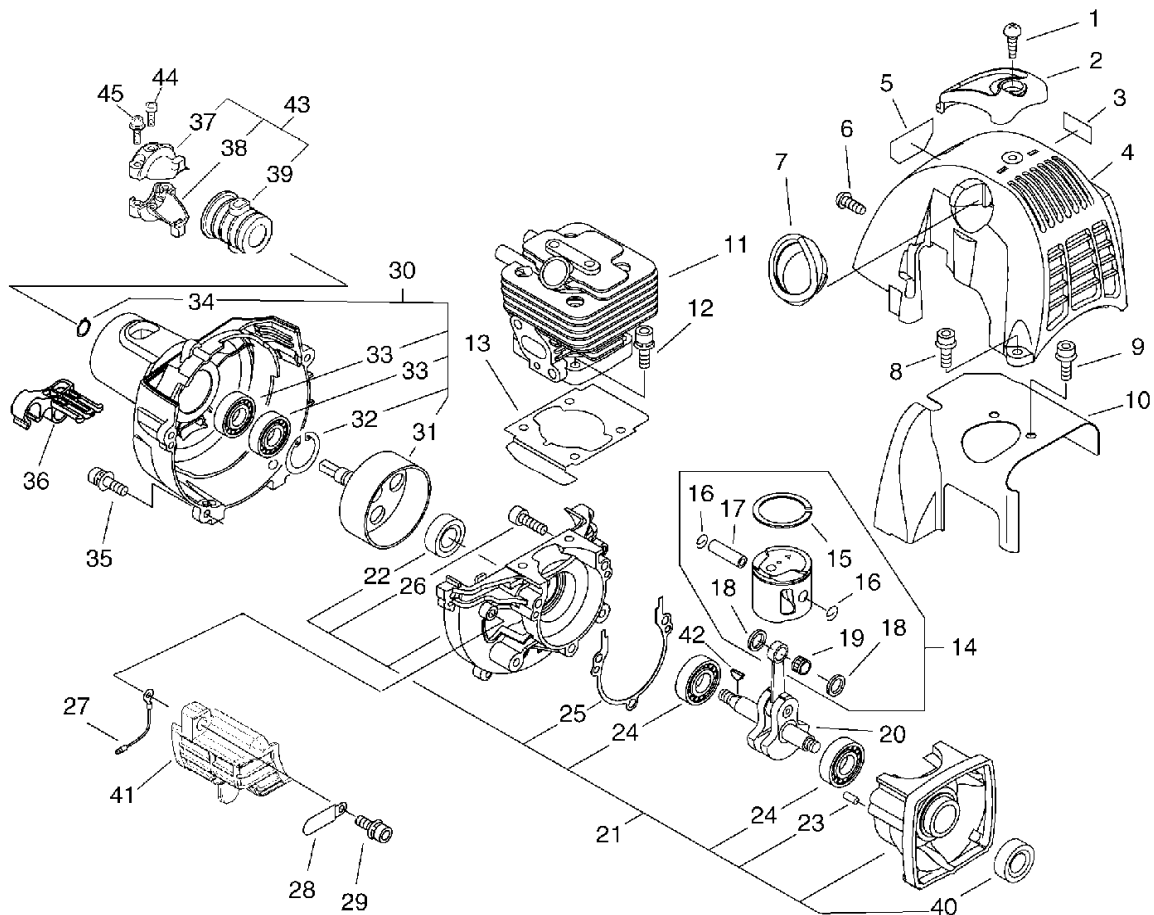
# **PARTS CATALOG**

## **POWER PRUNER PPT-265ES(37)**

- 37004254

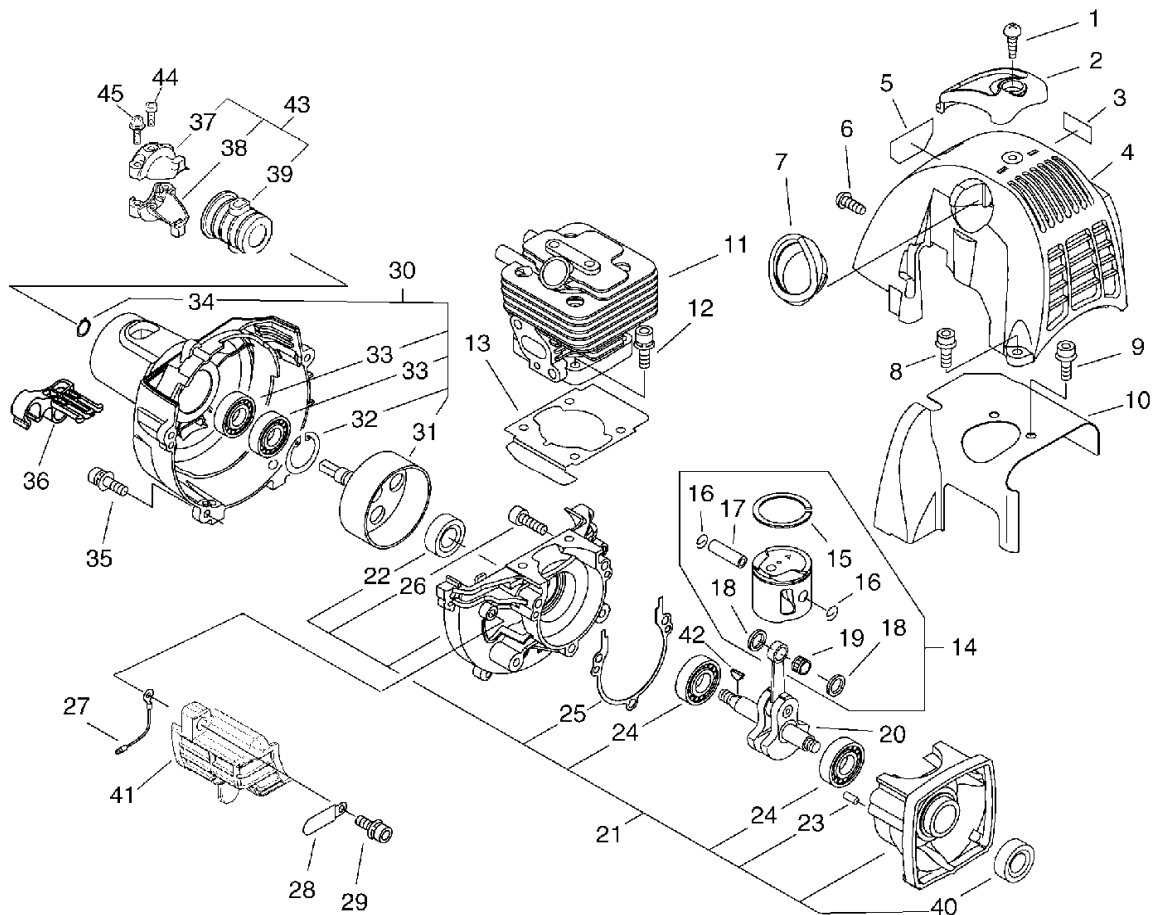
PPT-265ES(37)

# 1. Cylinder, Crankcase, Piston



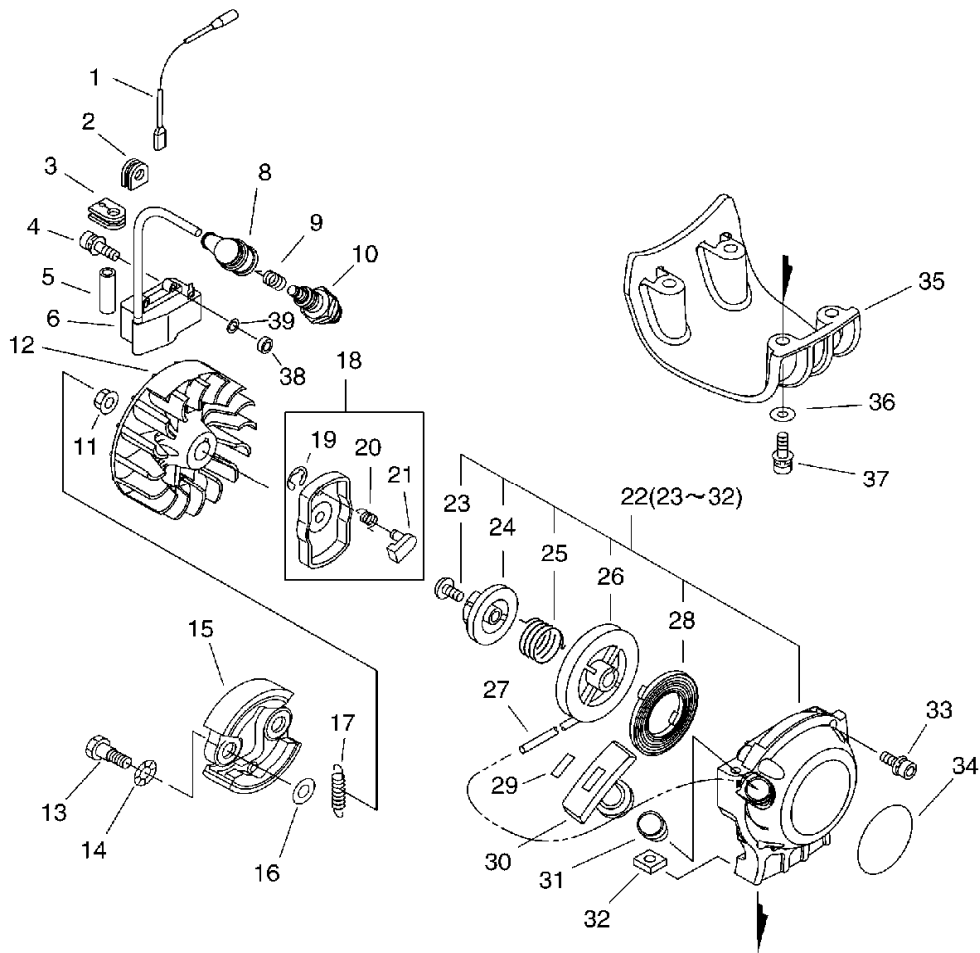
KEY	LV	PART NUMBER	Q'TY	DESCRIPTION	REMARKS	NOTE1	NOTE2
1		900256-05016	1	SCREW, TAPPING	5*16		
2		A162-000100	1	GUARD, TOP			
3		X505-002310	1	LABEL, CAUTION	HOT CAUTION		
4		A160-000780	1	COVER, CYLINDER			
5		X547-000700	1	LABEL, ECHO	ECHO+SRM- 265ES		
6		91140-05012	1	BOLT	M5*12		
7		A162-000080	1	GUARD, TOP			
8		900106-05014	1	BOLT, H.S. 5*14	5*14		
9		900106-05008	2	BOLT, H.S. 5*8	5*8		
10		A160-000691	1	COVER, CYLINDER			
11		A130-000761	1	CYLINDER			
12		900162-05025	4	BOLT, H.S. 5*25	5*25 W, SW		
13		V100-000210	1	GASKET, CYL	T0.5 38.1		
14		P021-009771	1	PISTON KIT			
15	+	A101-000170	1	RING, PISTON	34*1.5*1.5		
16	+	100015-03931	2	CIRCLIP, PISTON PIN			
17	+	100013-35430	1	PIN, PISTON	6*9*27.8		
18	+	100014-53630	2	SPACER, PISTON PIN			
19	+	100012-16131	1	BEARING, NEEDLE			
20		A011-000434	1	CRANKSHAFT, ASY			
21		P021-010801	1	CRANKCASE KIT			
22	+	100212-42031	1	OILSEAL	ISCD 12*22*4.5		
40	+	V505-000050	1	SEAL, OIL 12			
23	+	100215-03930	2	PIN, DOWEL			

# 1. Cylinder, Crankcase, Piston



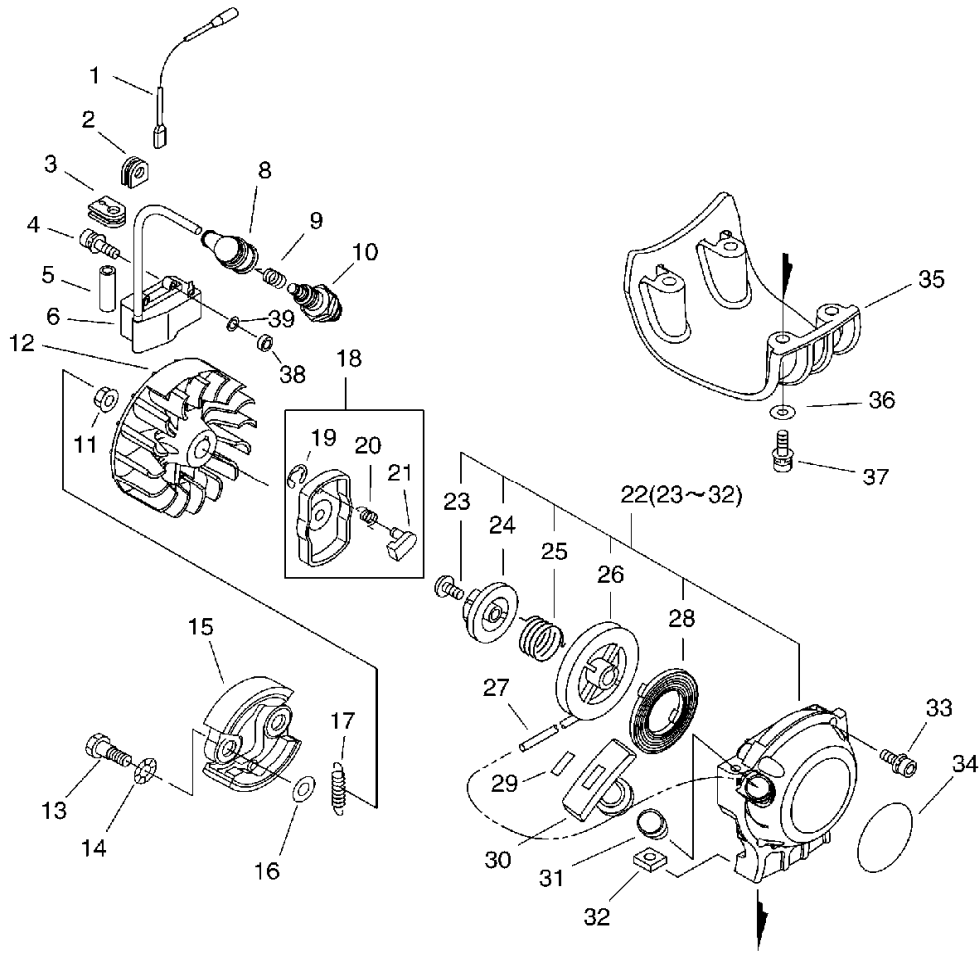
KEY	LV	PART NUMBER	Q'TY	DESCRIPTION	REMARKS	NOTE1	NOTE2
24	+	94035-36201	2	BEARING BALL	6201X3JR2C3		
25	+	100242-42030	1	GASKET, CRANKCASE			
26	+	900162-05028	3	BOLT, H.S. 5*28	5*28 W,SW		
27		156635-43130	1	LEAD, GROUND			
28		159116-21231	1	CLAMP			
29		900162-05016	1	BOLT, H.S. 5*16	5*16 W,SW		
30		P021-013760	1	COVER ASY, FAN			
31	+	A556-000280	1	DRUM, CLUTCH			
32	+	900702-00028	1	CIRCLIP 28	CR-28		
33	+	900807-06001	2	BEARING, BALL 6001	6001V(LB)		
34	+	900701-00012	1	CIRCLIP 12	CS-12		
35		900163-04016	4	BOLT HSH			
36		V491-000180	1	CLIP			
43		P021-009380	1	FIXTURE, MAIN PIPE			
37	+	A575-000122	1	FIXTURE, MAIN PIPE			
38	+	A575-000132	1	FIXTURE, MAIN PIPE			
39	+	V420-001081	1	CUSHION			
41		A127-000160	1	COVER, DUST			
42		100142-12330	1	KEY, WOODRUFF			
44		900105-05012	1	BOLT, H.S. 5*12	5*12		
45		900162-05025	2	BOLT, H.S. 5*25	5*25 W,SW		

## 2. Starter, Magneto



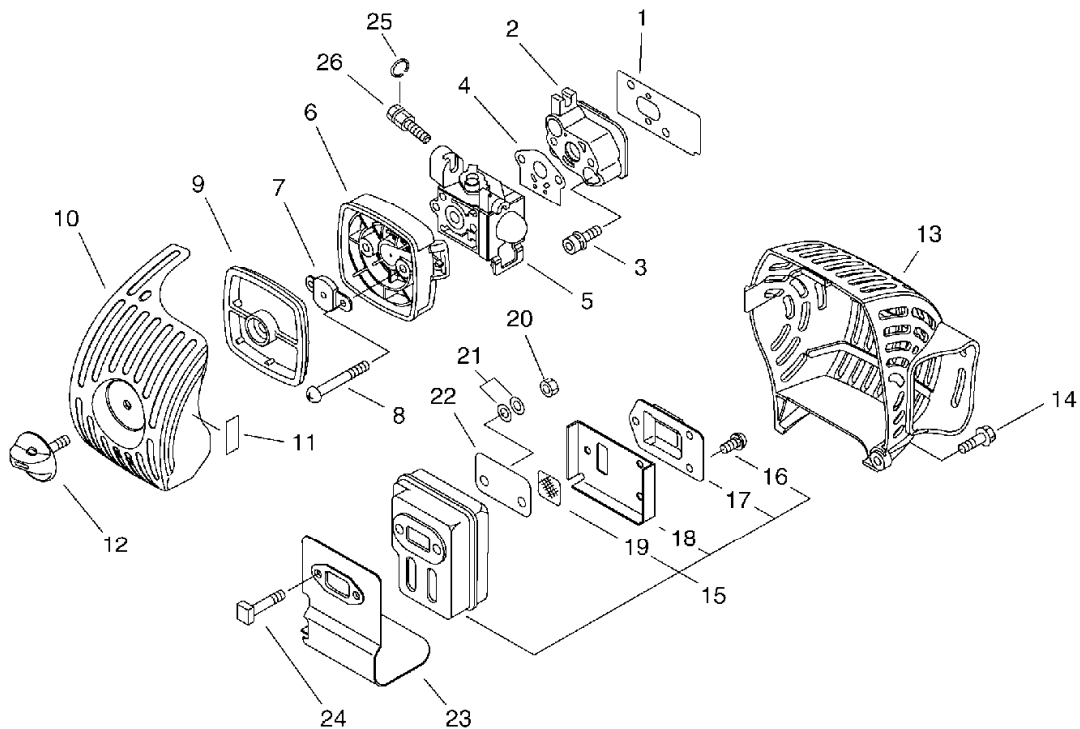
KEY	LV	PART NUMBER	Q'TY	DESCRIPTION	REMARKS	NOTE1	NOTE2
1		162010-04561	1	LEAD, GROUND	210L		
2		156110-04920	1	BUSHING			
3		V135-000030	1	GROMMET, HT CORD			
4		V202-000130	2	BOLT, 4	CBF-4*20		
5		V475-003380	1	TUBE			
6		A411-000250	1	COIL, IGNITION	ID#C10048		
8		A427-000013	1	CAP, SPARK PLUG			
9		A426-000010	1	TERMINAL, SPARK PLUG			
10		A425-000000	1	SPARK PLUG	BPMR8Y		
11		900515-00008	1	NUT, FLANGE 8	8		
12		A409-000310	1	ROTOR, MAGNETO	ID:C10744G		
12		A409-000310	1	ROTOR, MAGNETO	ID:C10744G		
13		175046-56030	2	SHAFT, CLUTCH			
14		175049-56030	2	WASHER	8.5*16*0.5		
15		A553-000010	2	ARM, CLUTCH			
16		175048-05530	2	WASHER (I)	6.2*19*1.0		
17		V451-000400	1	SPRING, TENSION			
18		A052-000180	1	PULLEY, ASM STARTER			
19	+	P022-002100	2	E-RING	4		
20	+	P022-006510	2	SPRING, RETURN			
21	+	P022-006850	2	PAWL, STARTER			
22		A051-000940	1	STARTER, RECOIL ASY			
23	+	177236-61830	1	SCREW			
24	+	P022-008280	1	PLATE, CAM			
25	+	P022-008270	1	SPRING, DAMPER			
26	+	P022-006830	1	DRUM			

## 2. Starter, Magneto



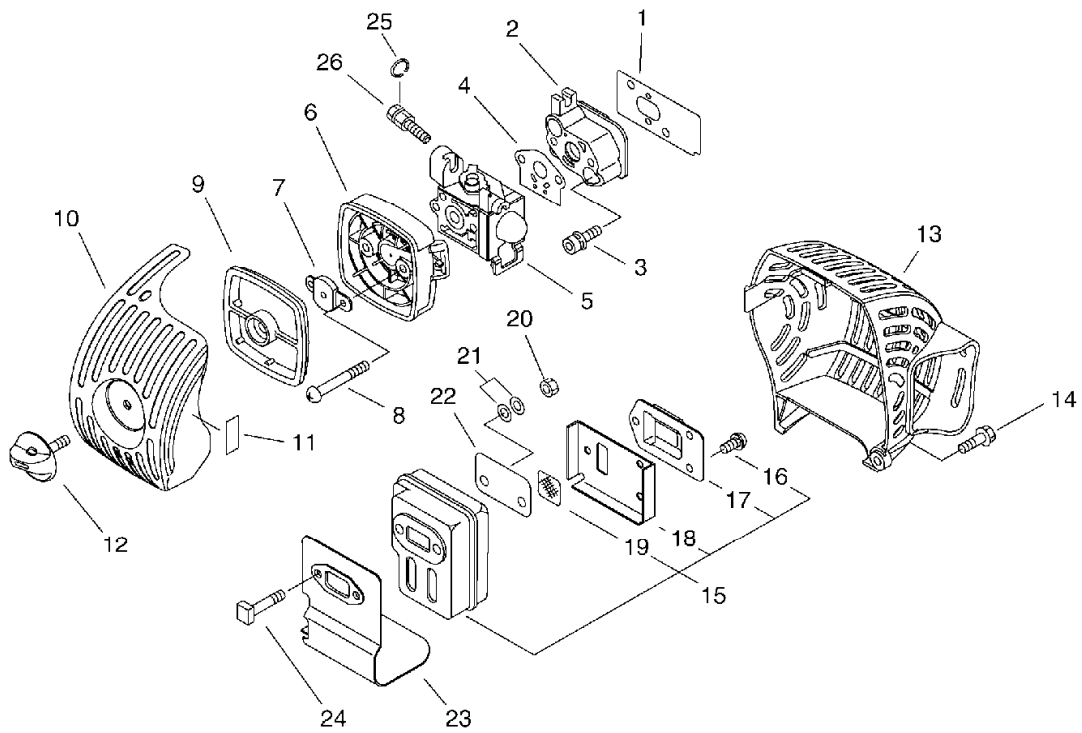
KEY	LV	PART NUMBER	Q'TY	DESCRIPTION	REMARKS	NOTE1	NOTE2
27	+	P022-008260	1	ROPE	3M/M		
28	+	177220-42030	1	SPRING, REWIND			
29	+	177246-11120	1	CLIP, STARTER ROPE			
30	+	177228-27030	1	GRIP, STARTER			
31	+	177227-42030	1	GUIDE, ROPE			
32	+	900565-00005	4	NUT	5		
33		900163-04016	4	BOLT HSH			
34		X502-000330	1	LABEL,ECHO	ECHO		
35		A175-000030	1	STAND			
36		900603-00005	4	WASHER 5	5.5*12*0.8		
37		91118-05025	4	BOLT	CM-5*25		
38		V322-000031	2	WASHER,CIRCULAR 4			
39		900603-00004	2	WASHER 4	4.5*10*0.8		

### 3. Air Cleaner, Muffler



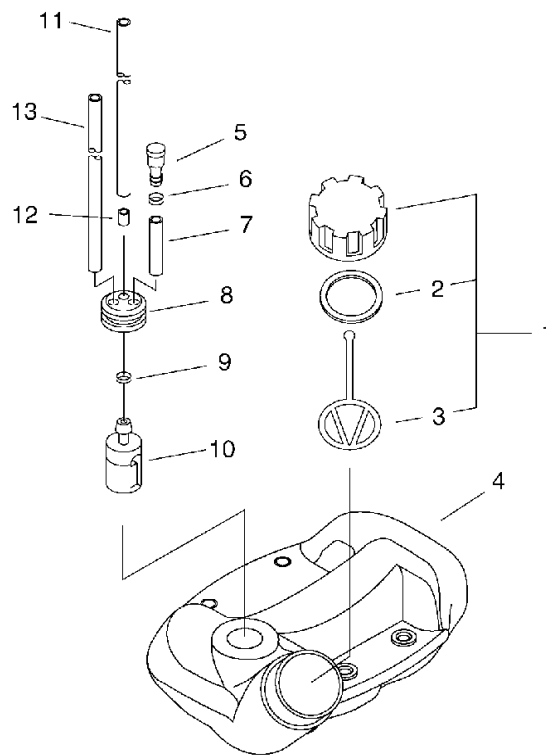
KEY	LV	PART NUMBER	Q'TY	DESCRIPTION	REMARKS	NOTE1	NOTE2
1		V103-000210	1	GASKET,INTAKE			
2		A200-000200	1	INSULATOR,INTAKE			
3		900162-05025	2	BOLT, H.S. 5*25	5*25 W,SW		
4		V103-000270	1	GASKET,INTAKE	T1.5-11		
5		A021-001530	1	CARBURETOR,DIAPHRAGM	RB-K		
6		P021-004480	1	CASE, AIR CLEANER			
7		129011-52730	1	PLATE, PREVENT			
8		900242-05065	2	SCREW 5*65	5*65		
9		130310-54130	1	FILTER, AIR			
10		A232-000330	1	LID,CLEANER			
11		890332-52730	1	LABEL, CHOKE			
12		V299-000250	1	KNOB,FASTENER			
13		A320-000340	1	COVER,MUFFLER			
14		91121-05016	1	BOLT, FLANGE	10.9 SILVER		
15		P021-011580	1	MUFFLER ASY			
16	+	91367-04010	3	SCREW	4*10/SW(SUS)		
17	+	A313-000830	1	GUIDE, EXHAUST	ID#1330		
18	+	V104-000790	1	GASKET,EXHAUST			
19	+	145862-40630	1	SCREEN, MUFFLER			
20		900500-00005	2	NUT 5	5		
21		92280-05000	2	WASHER, NORD-LOCK	NL5 5.4*9*1.8		
22		V150-001760	1	PLATE,EYE			
23		V104-000780	1	GASKET,EXHAUST			
24		V203-000120	2	BOLT,5	L=60		
25		100015-00120	1	CIRCLIP, PISTON PIN			

### 3. Air Cleaner, Muffler



KEY	LV	PART NUMBER	Q'TY	DESCRIPTION	REMARKS	NOTE1	NOTE2
26		C486-000000	1	CABLE, ADJUSTER			

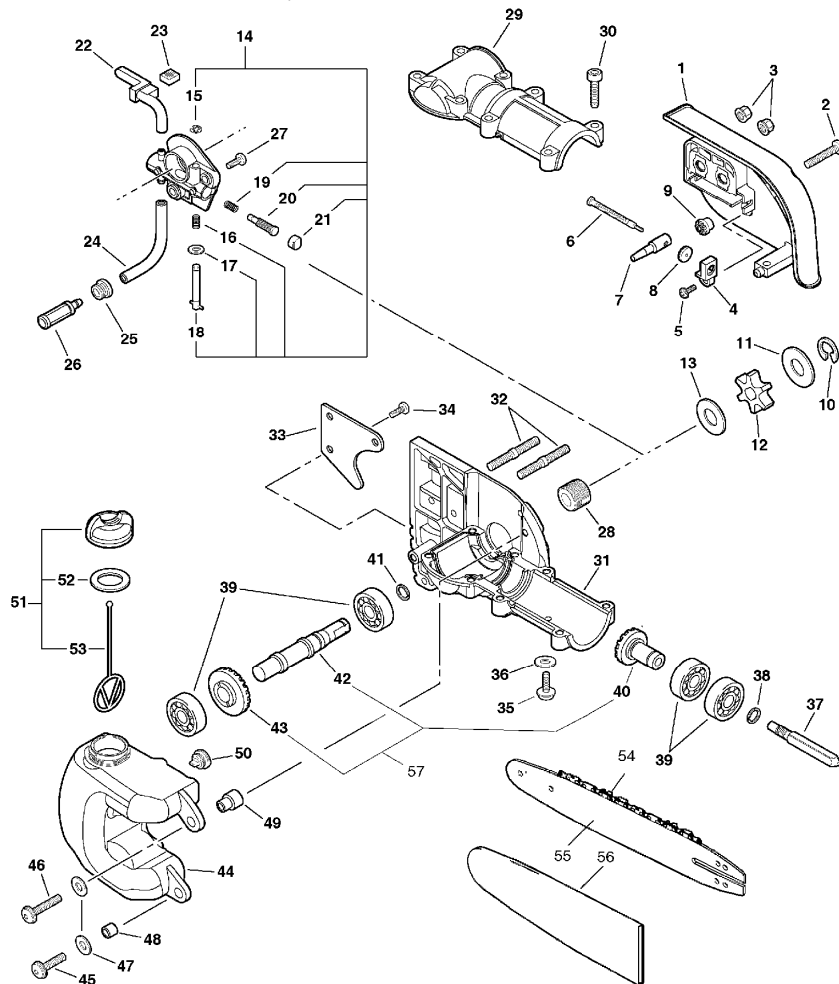
## 4. Fuel Tank



KEY	LV	PART NUMBER	Q'TY	DESCRIPTION	REMARKS	NOTE1	NOTE2
1		P021-001240	1	CAP, FUEL ASSY			
2	+	131016-55830	1	GASKET, FUEL CAP			
3	+	A365-000060	1	CONNECTOR, CAP	L=123		
4		A350-000440	1	TANK, FUEL			
5		A356-000030	1	VALVE, CHECK			
6		132013-26630	1	CLIP	6.5MM		
7		V471-001180	1	PIPE	3*6*35 NBR		
8		132115-55930	1	GROMMET, FUEL			
9		132013-09820	1	CLIP	6MM		
10		131205-19830	1	STRAINER, FUEL			
11		V470-000580	1	PIPE	3*5*195		
12		132001-15030	1	VALVE, CHECK			
13		132010-40830	1	PIPE 3*6*75	3*6*75 YL		

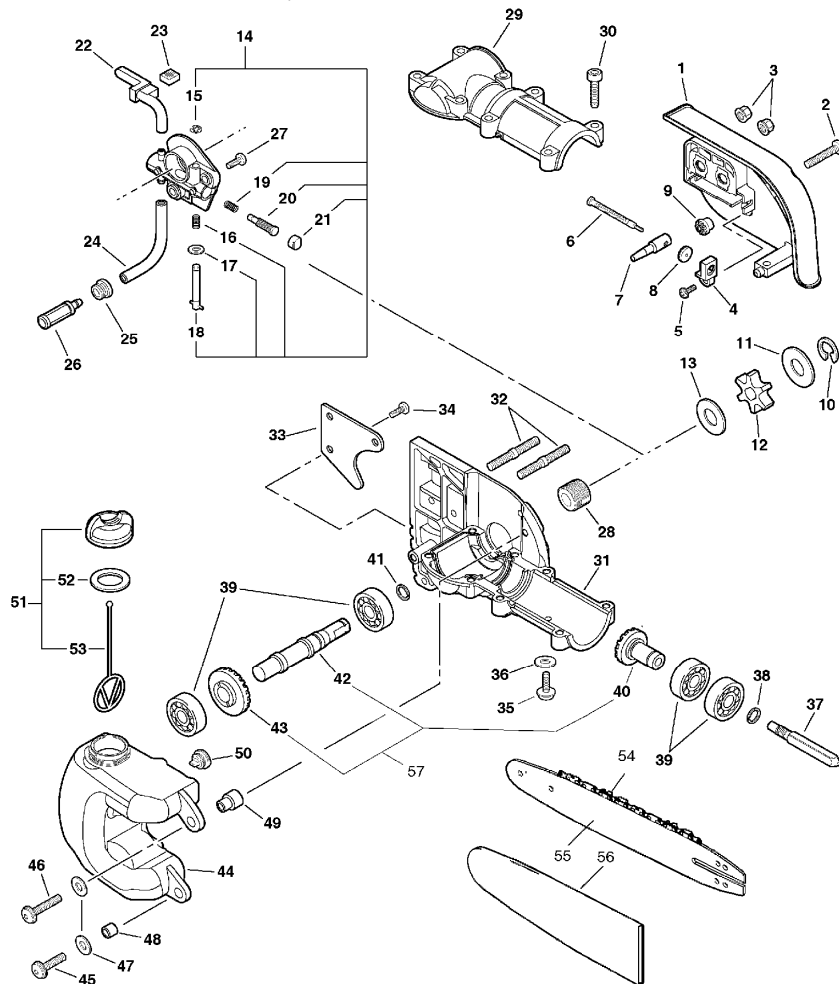


## 5. Gear Case, Guide Bar & Chain



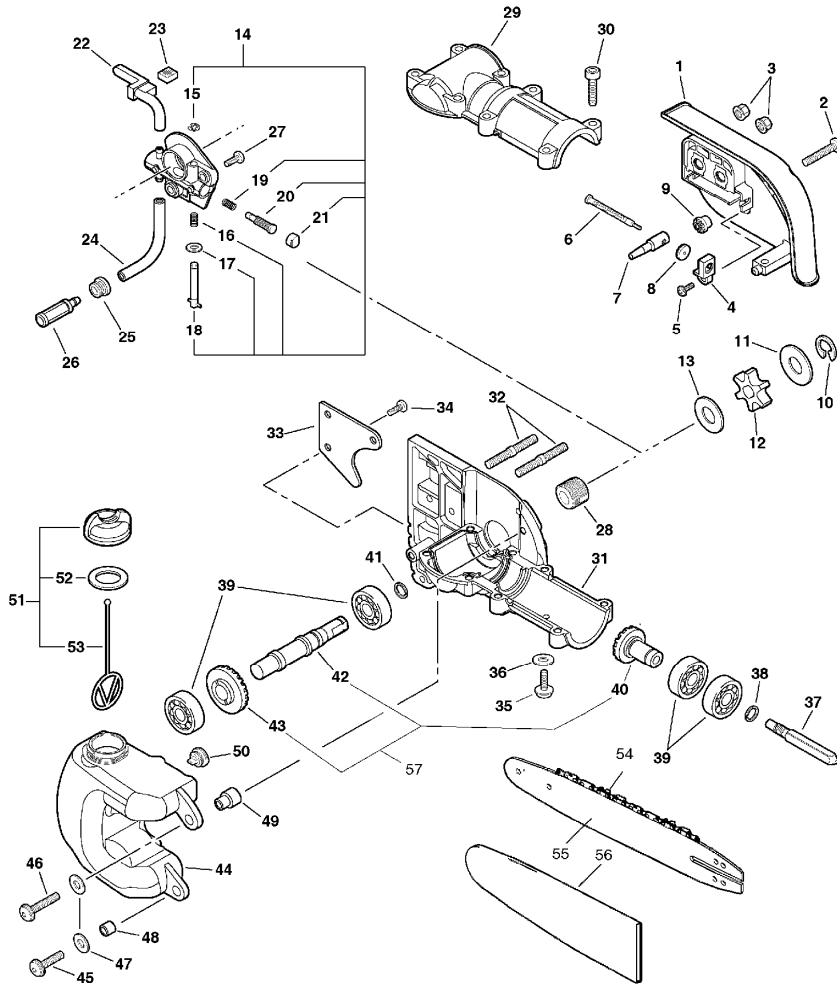
KEY	LV	PART NUMBER	Q'TY	DESCRIPTION	REMARKS	NOTE1	NOTE2
1		C300-000360	1	GUARD, SPROCKET	PPT-265	Sus. by C300-000361	
1		C300-000361	1	GUARD, SPROCKET			
2		V253-000180	1	SCREW,5	M5*20 PAN		
3		433019-03933	2	NUT, FLANGE 6	6		
4		V355-000140	1	COLLAR,8			
5		V252-000040	1	SCREW,4	4*8 PT SCREW		
6		V203-000041	1	BOLT,5			
7		C309-000030	1	TENSIONER,CHAIN			
8		V651-000310	1	GEAR,BEVEL	14 TEETH 3.0 SQ.		
9		V651-000320	1	GEAR,BEVEL	14 TEETH 10MM LG		
10		V583-000090	1	RING	EXTERNAL RING		
11		V307-000160	1	WASHER,CIRCULAR 10	10.2*29.5*T=1.2		
12		C580-000070	1	SPROCKET,DRIVE			
13		175014-39131	1	WASHER, CLUTCH	10.2*24.5*1.2		
14		C022-000010	1	OILER,ASM AUTO			
15	+	125327-15130	1	CLIP			
16	+	P022-010670	1	SPRING			
17	+	437029-37330	1	WASHER			
18	+	P022-010680	1	SCREW ASS'Y, ADJUST			
19	+	P022-010660	1	SPRING			

## 5. Gear Case, Guide Bar & Chain



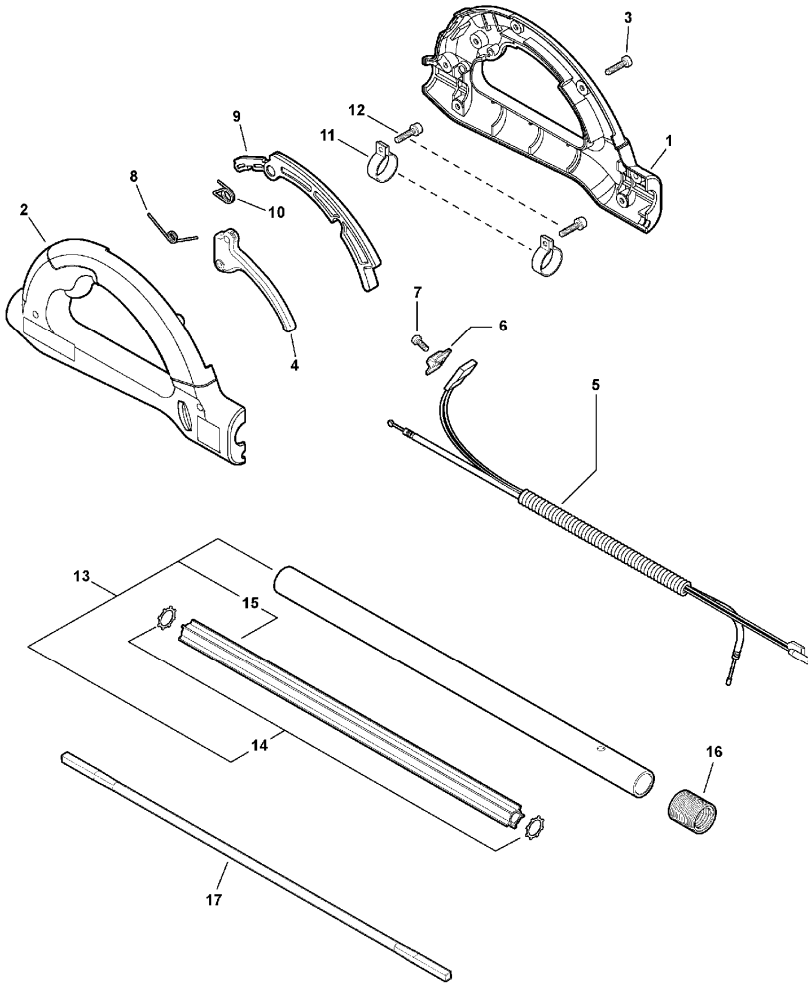
KEY	LV	PART NUMBER	Q'TY	DESCRIPTION	REMARKS	NOTE1	NOTE2
20	+	P022-010650	1	PLUNGER			
21	+	P022-010640	1	CAP, OIL PUMP			
22		V470-000180	1	PIPE			
23		437244-39130	1	PAD, FORM			
24		130110-12330	1	PIPE, IMPULSE	3*6*70L		
25		132115-01461	1	GROMMET			
26		436205-02832	1	STRAINER, OIL			
27		V253-000200	2	SCREW,5	M5*10 PAN MS		
28		437063-38330	1	GEAR, WORM			
29		C531-000030	1	CASE,GEAR			
30		V253-000240	1	SCREW,5	M5*25 PAN MS		
31		C531-000430	1	CASE,GEAR	LOWER		
32	+	V224-000040	2	BOLT,STUD 6	15MM*19MM M6		
33		C649-000140	1	HOOK	BRANCH HOOK		
34		V253-000200	1	SCREW,5	M5*10 PAN MS		
35		900109-05010	1	BOLT, H.S,	5*10		
36		900600-00005	1	WASHER 5	5		
37		610025-22361	1	CONNECTOR, SHAFT			
38		900706-00012	2	CIRCLIP 12	WR-12		
39		94052-06001	2	BEARING BALL	PEER LLU,DDU 2RS		
41		900706-00012	2	CIRCLIP 12	WR-12		
54		P021-015340	1	GEAR, SHAFT KIT			
57		P021-015340	1	GEAR, SHAFT KIT			
40	+	V651-000210	1	GEAR,BEVEL	MG 0600.2259		
42	+	C534-000430	1	SHAFT, GEAR			

### 5. Gear Case, Guide Bar & Chain



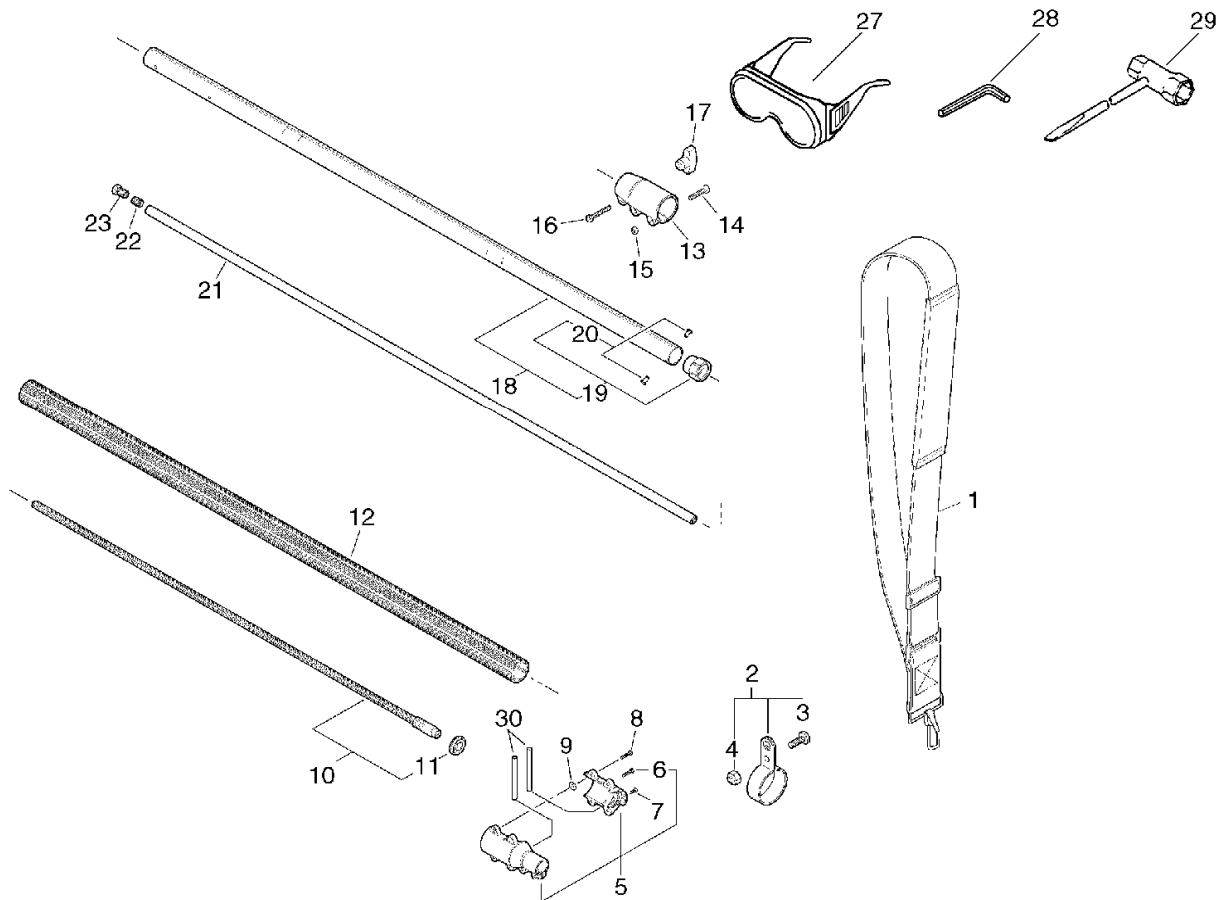
KEY	LV	PART NUMBER	Q'TY	DESCRIPTION	REMARKS	NOTE1	NOTE2
43	+	V651-000201	1	GEAR,BEVEL	MG 0600.2259		
44		C200-000080	1	TANK, OIL			
45		V253-000230	1	SCREW,5	M5*20 PAN MS		
46		V253-000240	1	SCREW,5	M5*25 PAN MS		
47		900603-00005	2	WASHER 5	5.5*12*0.8		
48		131045-28230	2	COLLAR			
49		V354-000010	1	COLLAR,6			
50		131314-06320	1	VALVE, CHECK			
51		P021-005591	1	CAP ASY			
52	+	900720-00018	1	O-RING 18	P-18		
53	+	A365-000050	1	CONNECTOR,CAP			
54		X222-000040	1	CHAIN,SAW	M91VX44CQ		
55		X122-000150	1	BAR,GUIDE 30	12A0CD3744		
56		X490-000050	1	SCABBARD,CHAIN	12° BAR		

6. Handle



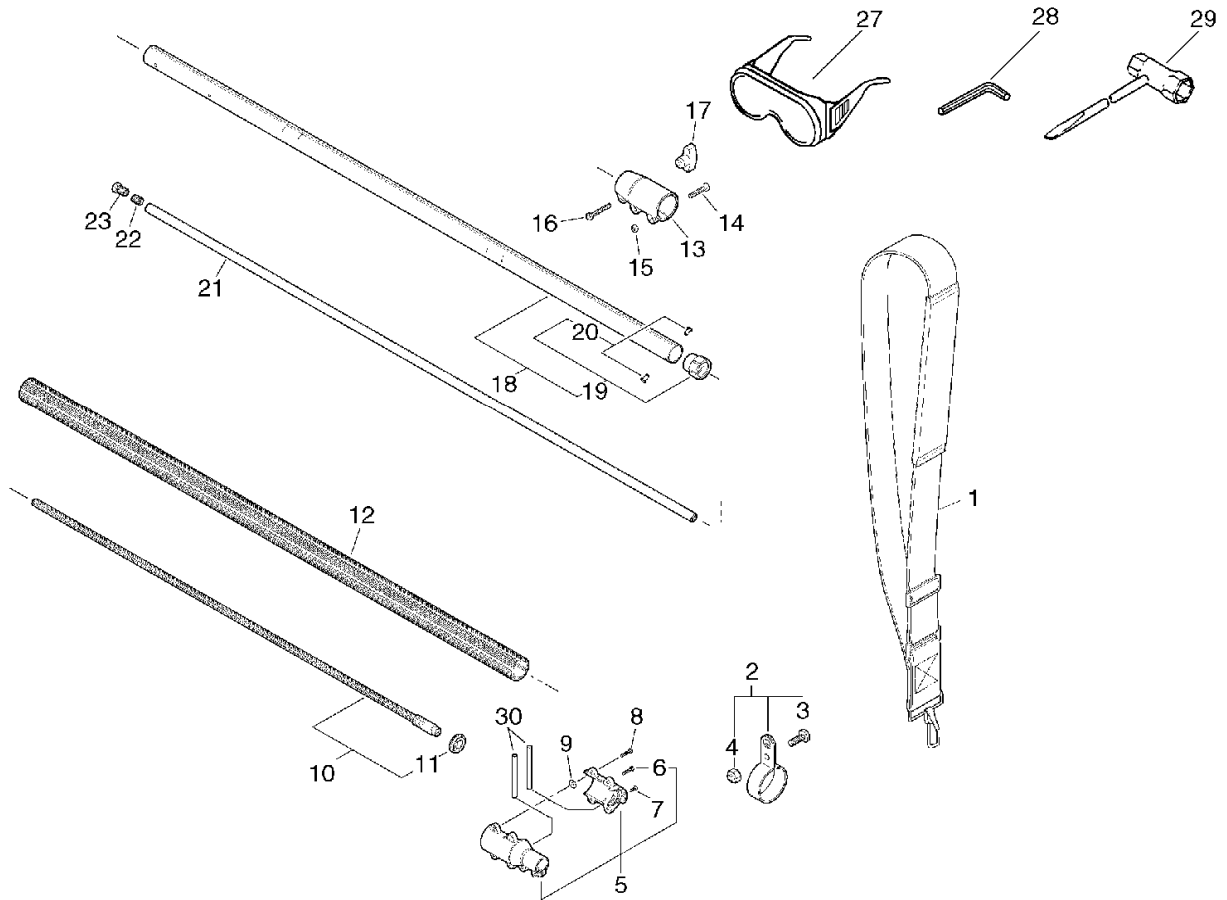
KEY	LV	PART NUMBER	Q'TY	DESCRIPTION	REMARKS	NOTE1	NOTE2
1		C041-000000	1	HANDLE,ASM REAR	OVERMOLD - RIGHT		
2		C041-000011	1	HANDLE,ASM REAR	OVERMOLD - LEFT		
3		V253-000210	7	SCREW,5	M5*18 PAN PT		
4		C450-000260	1	CONTROL, THROTTLE	PPT HANDLE		
5		V043-000160	1	CABLE ASY, CONTROL			
6		A444-000020	1	KNOB,SWITCH	ACT3020-14F		
7		91545-03010	1	SCREW TAPTITE-P			
8		V452-000330	1	SPRING,TORSION	30MM*8 DIA.*30MM		
9		C460-000100	1	LOCKOUT, THROTTLE	PPT HANDLE		
10		V452-000340	1	SPRING,TORSION	10.5MM I.D.		
11		V495-000680	2	BAND			
12		V253-000220	1	SCREW,5	M5*20 PAN SEM MS		
13		C050-000770	1	PIPE, MAIN	LOWER PIPE ASSY		
14	+	V583-000110	2	RING	.625ID * .875OD		
15	+	C507-000160	1	LINER, FLEXIBLE	L=410MM		
16		V475-004000	1	TUBE	25MM*32MM*35M M		
17		C506-000100	1	SHAFT, FLEXIBLE	.264/.260 * 19.8		

## 7. Main Pipe(Sr/Nr 37002753 and before)



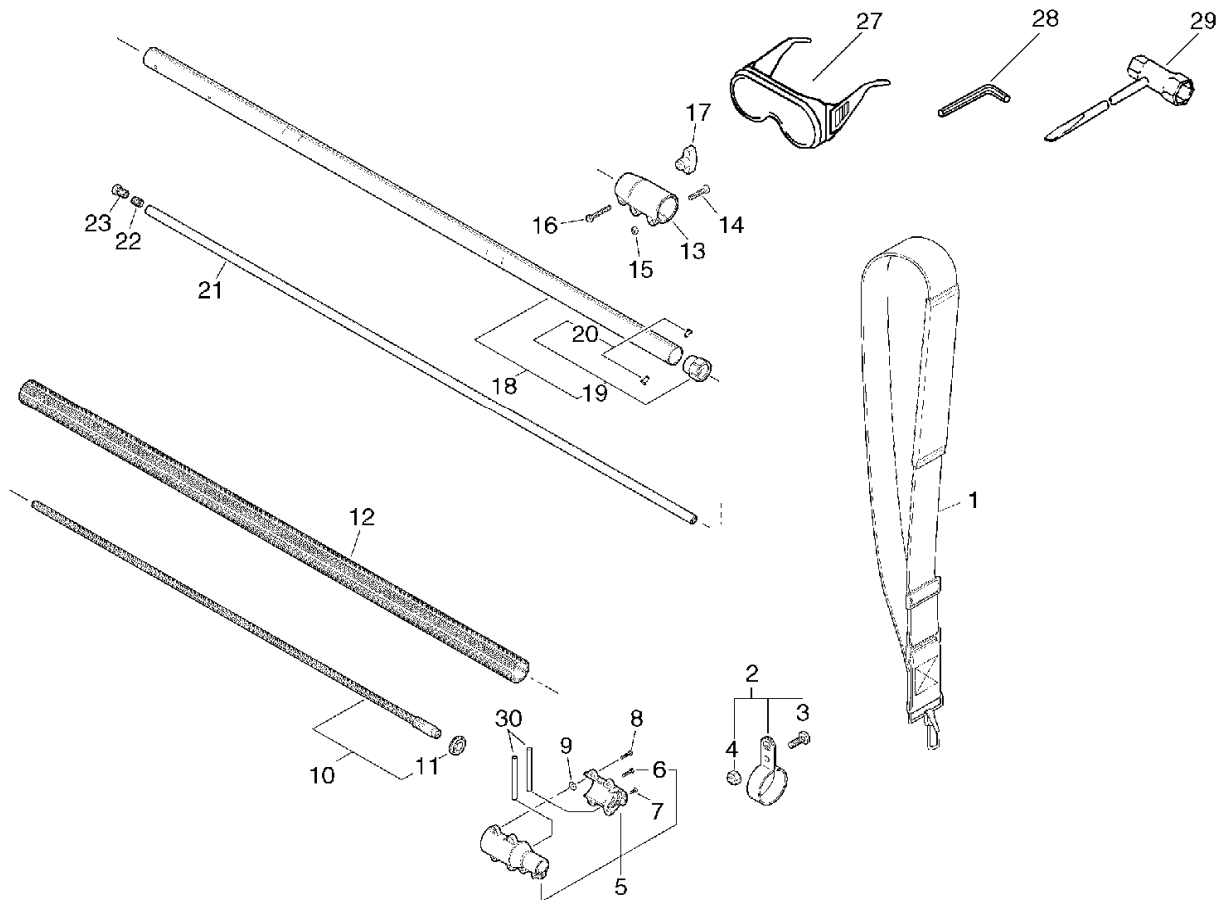
KEY	LV	PART NUMBER	Q'TY	DESCRIPTION	REMARKS	NOTE1	NOTE2
1		301000-22060	1	HARNES ASY,SHOULDER			
2		300610-22060	1	BRACKET, HARNES			
3	+	V253-000200	1	SCREW,5	M5*10 PAN MS		
4	+	V263-000080	1	NUT,5	M5*0.8 LOCK NUT		
5		C510-000161	1	COUPLING, MAIN PIPE		Sus. by C510-000162, Sr/Nr 37002753 and before	
6	+	V253-000230	2	SCREW,5	M5*20 PAN MS		
7	+	900105-05014	1	BOLT, H.S. 5*14	5*14		
9	+	V303-000071	2	WASHER,CIRCULAR 5	5.4MM*15MM*1MM		
8		V253-000230	4	SCREW,5	M5*20 PAN MS		
10		C504-000370	1	SHAFT, DRIVE			
11	+	94057-36002	1	BEARING, BALL	PEER LLU,DDU		
12		C500-000270	1	PIPE, MAIN	39MM ID * 1416.1		
13		C510-000170	1	COUPLING, MAIN PIPE	UPPER COUPLING		
14		V253-000230	2	SCREW,5	M5*20 PAN MS		
15		900500-00005	2	NUT 5	5		
16		900100-06025	1	BOLT 6*25	6*25		
17		V299-000321	1	KNOB,FASTENER	M6X1.0 THREAD		
18		C050-000760	1	PIPE, MAIN			

### 7. Main Pipe(Sr/Nr 37002753 and before)



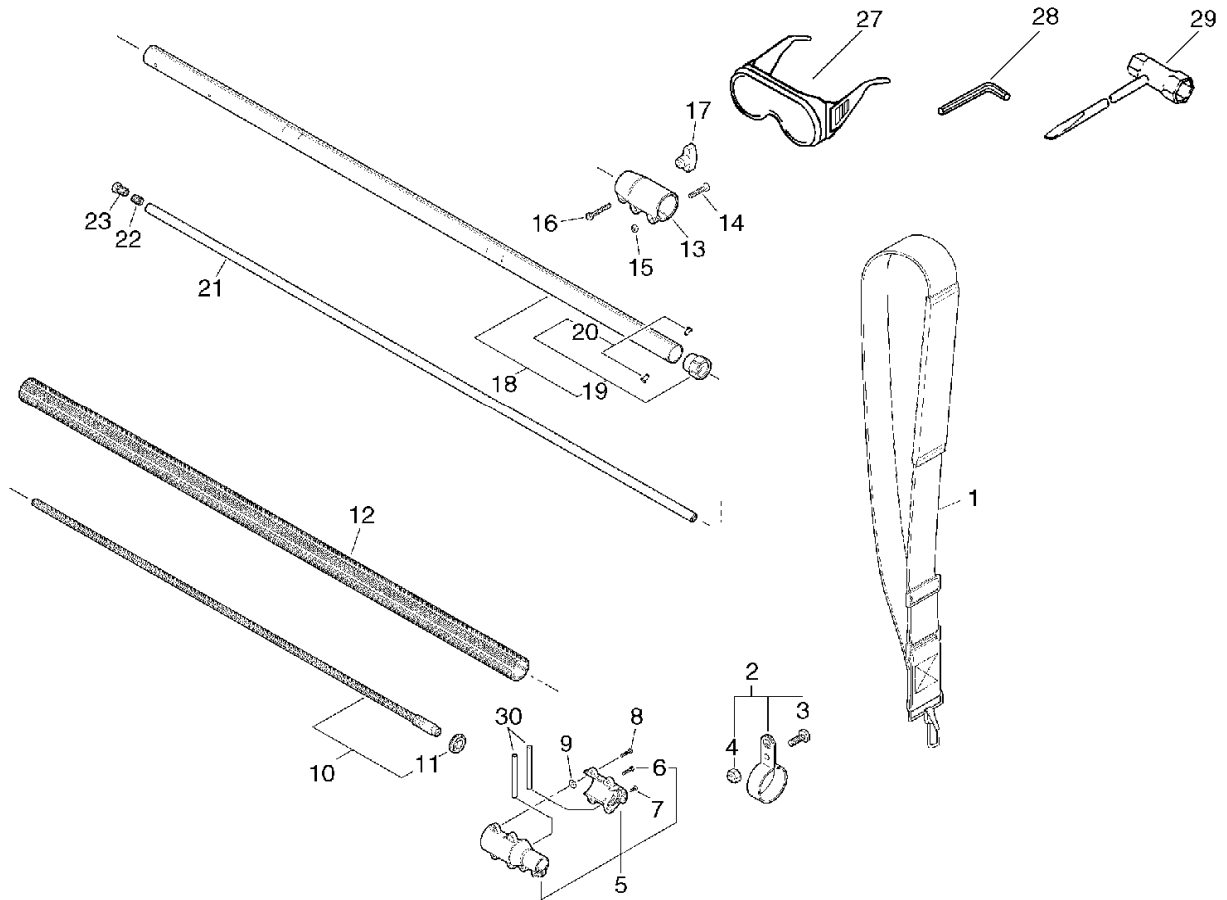
KEY	LV	PART NUMBER	Q'TY	DESCRIPTION	REMARKS	NOTE1	NOTE2
19	+	C503-000080	1	HOLDER, BEARING	HOLDER ASSEMBLY		
20	+	890011-22360	2	RIVET			
21		C504-000360	1	SHAFT, DRIVE	OUTER DRIVESHAFT		
22		C509-000090	1	SOCKET, SHAFT	DRIVE SIDE		
23		C509-000080	1	SOCKET, SHAFT	12.2*16.5*25.4		
27		X690-000030	1	GOGGLE		Sus. by P021-002861	
27		P021-002861	1	GOGGLES		Sus. by X690-000050	
27		X690-000050	1	GOGGLE	GOGGLE + NOTE		
28		895610-00130	1	L-WRENCH (4MM)			
29		895410-39131	1	WRENCH, W/S-DRIVER			

## 8. Main Pipe(Sr/Nr 37002754 and after)



KEY	LV	PART NUMBER	Q'TY	DESCRIPTION	REMARKS	NOTE1	NOTE2
1		301000-22060	1	HARNES ASY,SHOULDER			
2		300610-22060	1	BRACKET, HARNES			
2		300610-22061	1	BRACKET, HARNES	24.69/24.84 I.D.		
3	+	V253-000200	1	SCREW,5	M5*10 PAN MS		
4	+	V263-000080	1	NUT,5	M5*0.8 LOCK NUT		
5		C510-000162	1	COUPLING, MAIN PIPE	MACHINED 2-PARTS	Sr/Nr 37002754 and after	
6	+	V253-000230	2	SCREW,5	M5*20 PAN MS		
7	+	900105-05014	1	BOLT, H.S. 5*14	5*14		
9	+	V303-000071	2	WASHER,CIRCULAR 5	5.4MM*15MM*1MM		
30		V420-001810	2	CUSHION	OD 3.53MM*42 LNG	Sr/Nr 37002754 and after	
8		V253-000230	4	SCREW,5	M5*20 PAN MS		
10		C504-000370	1	SHAFT, DRIVE			
11	+	94057-36002	1	BEARING, BALL	PEER LLU,DDU		
12		C500-000270	1	PIPE, MAIN	39MM ID * 1416.1		
13		C510-000170	1	COUPLING, MAIN PIPE	UPPER COUPLING		
14		V253-000230	2	SCREW,5	M5*20 PAN MS		
15		900500-00005	2	NUT 5	5		
16		900100-06025	1	BOLT 6*25	6*25		

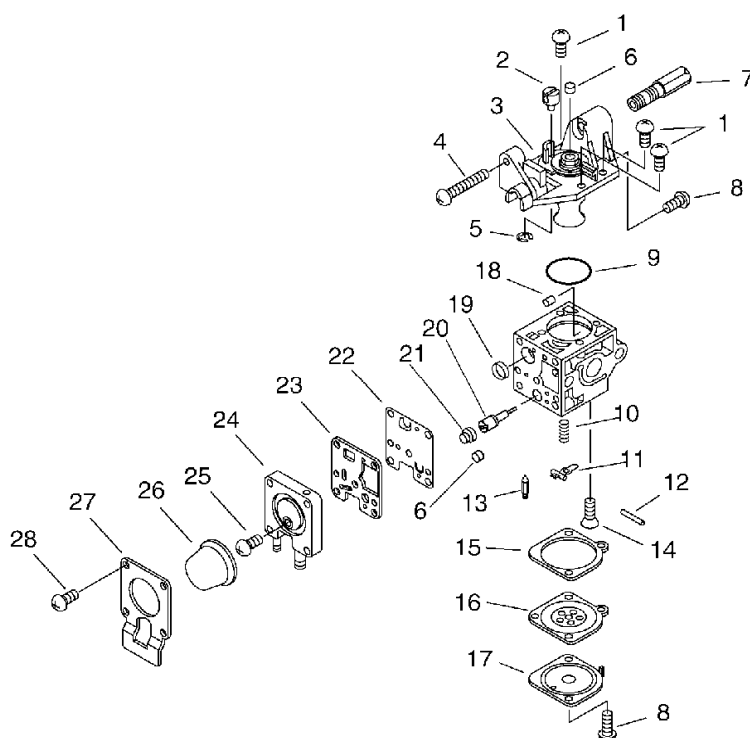
### 8. Main Pipe(Sr/Nr 37002754 and after)



KEY	LV	PART NUMBER	Q'TY	DESCRIPTION	REMARKS	NOTE1	NOTE2
17		V299-000321	1	KNOB,FASTENER	M6X1.0 THREAD		
18		C050-000760	1	PIPE, MAIN			
19	+	C503-000080	1	HOLDER, BEARING	HOLDER ASSEMBLY		
20	+	890011-22360	2	RIVET			
21		C504-000360	1	SHAFT, DRIVE	OUTER DRIVESHAFT		
22		C509-000090	1	SOCKET, SHAFT	DRIVE SIDE		
23		C509-000080	1	SOCKET, SHAFT	12.2*16.5*25.4		
27		X690-000050	1	GOGGLE	GOGGLE + NOTE		
28		895610-00130	1	L-WRENCH (4MM)			
29		895410-39131	1	WRENCH, W/S-DRIVER			

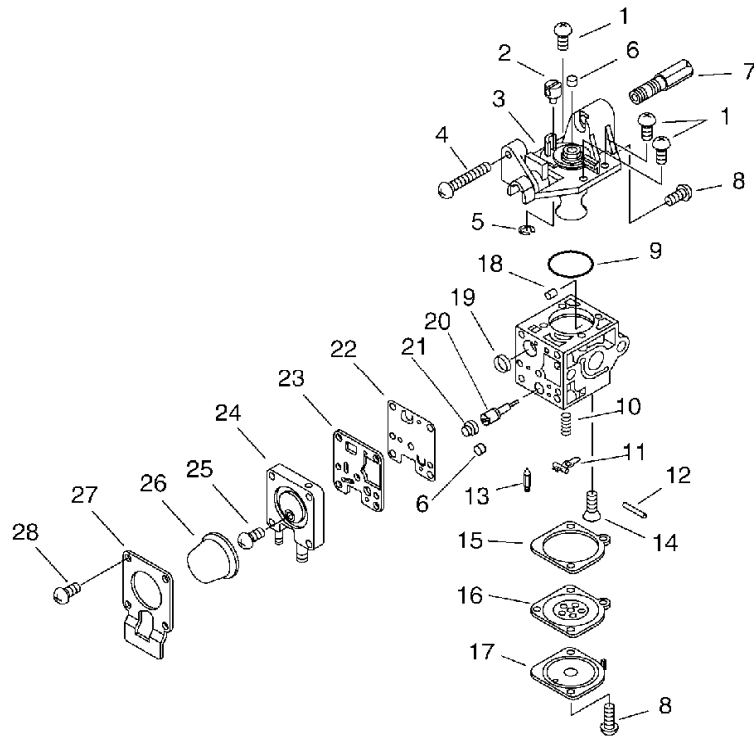


## 9. Carburettor



KEY	LV	PART NUMBER	Q'TY	DESCRIPTION	REMARKS	NOTE1	NOTE2
		A021-001530	1	CARBURETOR,DIAPHRAGM	RB-K		
1	+	125344-13931	3	SCREW			
2	+	P005-001240	1	POST			
3	+	P005-001980	1	COVER ASY, ROTOR			
4	+	P005-000100	1	SCREW,THROTTLEADJUST			
5	+	P005-000190	1	E-RING			
6	+	P005-001270	2	PLUG, H AJUST SCREW			
7	+	P005-002010	1	SCREW, WIRW ADJUST			
8	+	125344-52130	3	SCREW			
9	+	P005-000280	1	O-RING			
10	+	125322-07260	1	SPRING, COIL			
11	+	125323-08260	1	ARM, VALVE			
12	+	125338-13930	1	PIN, METERING ARM			
13	+	125337-08260	1	VALVE, INLET NEEDLE			
14	+	125339-42030	1	SCREW			
15	+	P005-000200	1	GASKET, METERING			
16	+	P005-001780	1	DIAPHRAGM			
17	+	125342-52130	1	COVER, DIAPHRAGM			
18	+	P005-001000	1	ROLLER, GUIDE			
19	+	P005-000010	1	STRAINER			
20	+	P005-001290	1	SCREW,MAINN MIXTURE			
21	+	P005-001250	1	RETAINER,PLUG BALL			
22	+	P005-000510	1	DIAPHRAGM, PUMP			
23	+	P005-000520	1	GASKET, PUMP			
24	+	P005-001890	1	BASE, ASY PRIMER			
25	+	P005-000270	1	SCREW			

9. Carburettor



KEY	LV	PART NUMBER	Q'TY	DESCRIPTION	REMARKS	NOTE1	NOTE2
26	+	125381-08660	1	PUMP, PRIMING			
27	+	P005-000250	1	RETAINER			
28	+	P005-001900	4	SCREW			

## 10. Repair Kit

KEY	LV	PART NUMBER	Q'TY	DESCRIPTION	REMARKS	NOTE1	NOTE2
		P005-001660	1	DIAPHRAGM/GASKET KIT			
8-15	+	P005-000200	1	GASKET, METERING			
8-16	+	P005-001780	1	DIAPHRAGM			
8-22	+	P005-000510	1	DIAPHRAGM, PUMP			
8-23	+	P005-000520	1	GASKET, PUMP			
		P005-001990	1	REBUILD KIT			
8-10	+	125322-07260	1	SPRING, COIL			
8-11	+	125323-08260	1	ARM, VALVE			
8-12	+	125338-13930	1	PIN, METERING ARM			
8-13	+	125337-08260	1	VALVE, INLET NEEDLE			
8-15	+	P005-000200	1	GASKET, METERING			
8-16	+	P005-001780	1	DIAPHRAGM			
8-18	+	P005-001000	1	ROLLER, GUIDE			
8-19	+	P005-000010	1	STRAINER			
8-22	+	P005-000510	1	DIAPHRAGM, PUMP			
8-23	+	P005-000520	1	GASKET, PUMP			

**Index**

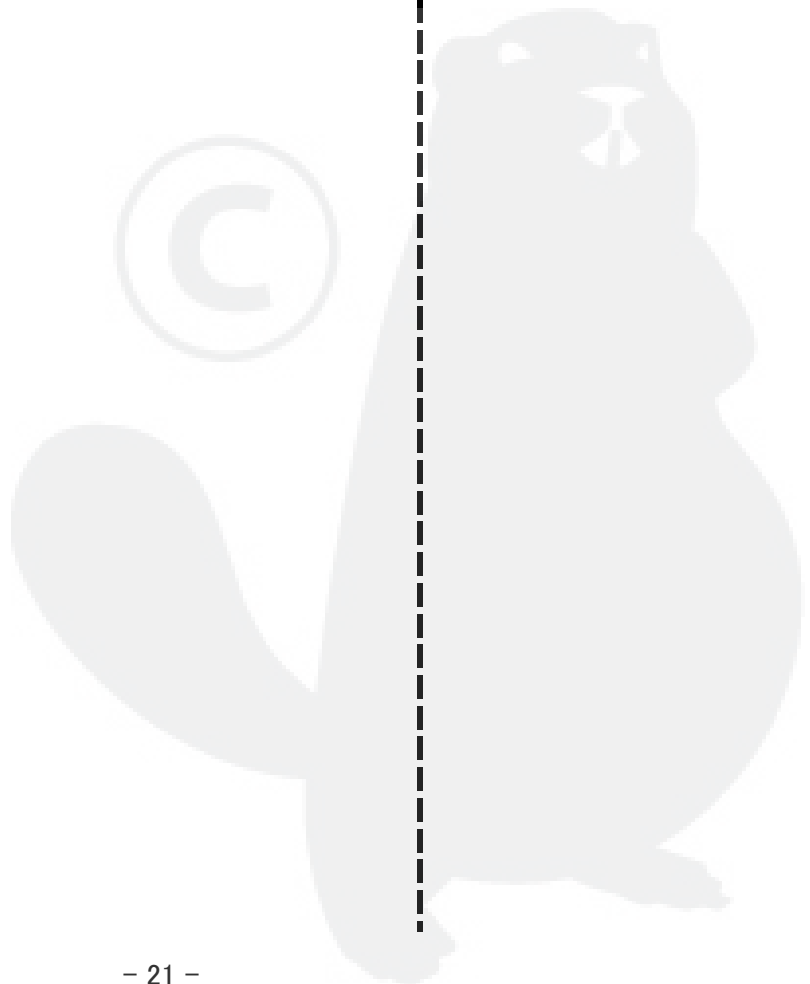
<b>Patrs Number</b>	<b>Key No.</b>	<b>Patrs Number</b>	<b>Key No.</b>	<b>Patrs Number</b>	<b>Key No.</b>
100012-16131	1 - 19	177246-11120	2 - 29	900720-00018	5 - 52
100013-35430	1 - 17	300610-22060	7 - 2	900807-06001	1 - 33
100014-53630	1 - 18	300610-22060	8 - 2	91118-05025	2 - 37
100015-00120	3 - 25	300610-22061	8 - 2	91121-05016	3 - 14
100015-03931	1 - 16	301000-22060	7 - 1	91140-05012	1 - 6
100142-12330	1 - 42	301000-22060	8 - 1	91367-04010	3 - 16
100212-42031	1 - 22	433019-03933	5 - 3	91545-03010	6 - 7
100215-03930	1 - 23	436205-02832	5 - 26	92280-05000	3 - 21
100242-42030	1 - 25	437029-37330	5 - 17	94035-36201	1 - 24
125322-07260	10 - 8-10	437063-38330	5 - 28	94052-06001	5 - 39
125322-07260	9 - 10	437244-39130	5 - 23	94057-36002	7 - 11
125323-08260	10 - 8-11	610025-22361	5 - 37	94057-36002	8 - 11
125323-08260	9 - 11	890011-22360	7 - 20	A011-000434	1 - 20
125327-15130	5 - 15	890011-22360	8 - 20	A021-001530	3 - 5
125337-08260	10 - 8-13	890332-52730	3 - 11	A021-001530	9 -
125337-08260	9 - 13	895410-39131	7 - 29	A051-000940	2 - 22
125338-13930	10 - 8-12	895410-39131	8 - 29	A052-000180	2 - 18
125338-13930	9 - 12	895610-00130	7 - 28	A101-000170	1 - 15
125339-42030	9 - 14	895610-00130	8 - 28	A127-000160	1 - 41
125342-52130	9 - 17	900100-06025	7 - 16	A130-000761	1 - 11
125344-13931	9 - 1	900100-06025	8 - 16	A160-000691	1 - 10
125344-52130	9 - 8	900105-05012	1 - 44	A160-000780	1 - 4
125381-08660	9 - 26	900105-05014	7 - 7	A162-000080	1 - 7
129011-52730	3 - 7	900105-05014	8 - 7	A162-000100	1 - 2
130110-12330	5 - 24	900106-05008	1 - 9	A175-000030	2 - 35
130310-54130	3 - 9	900106-05014	1 - 8	A200-000200	3 - 2
131016-55830	4 - 2	900109-05010	5 - 35	A232-000330	3 - 10
131045-28230	5 - 48	900162-05016	1 - 29	A313-000830	3 - 17
131205-19830	4 - 10	900162-05025	1 - 12	A320-000340	3 - 13
131314-06320	5 - 50	900162-05025	1 - 45	A350-000440	4 - 4
132001-15030	4 - 12	900162-05025	3 - 3	A356-000030	4 - 5
132010-40830	4 - 13	900162-05028	1 - 26	A365-000050	5 - 53
132013-09820	4 - 9	900163-04016	1 - 35	A365-000060	4 - 3
132013-26630	4 - 6	900163-04016	2 - 33	A409-000310	2 - 12
132115-01461	5 - 25	900242-05065	3 - 8	A409-000310	2 - 12
132115-55930	4 - 8	900256-05016	1 - 1	A411-000250	2 - 6
145862-40630	3 - 19	900500-00005	3 - 20	A425-000000	2 - 10
156110-04920	2 - 2	900500-00005	7 - 15	A426-000010	2 - 9
156635-43130	1 - 27	900500-00005	8 - 15	A427-000013	2 - 8
159116-21231	1 - 28	900515-00008	2 - 11	A444-000020	6 - 6
162010-04561	2 - 1	900565-00005	2 - 32	A553-000010	2 - 15
175014-39131	5 - 13	900600-00005	5 - 36	A556-000280	1 - 31
175046-56030	2 - 13	900603-00004	2 - 39	A575-000122	1 - 37
175048-05530	2 - 16	900603-00005	2 - 36	A575-000132	1 - 38
175049-56030	2 - 14	900603-00005	5 - 47	C022-000010	5 - 14
177220-42030	2 - 28	900701-00012	1 - 34	C041-000000	6 - 1
177227-42030	2 - 31	900702-00028	1 - 32	C041-000011	6 - 2
177228-27030	2 - 30	900706-00012	5 - 38	C050-000760	7 - 18
177236-61830	2 - 23	900706-00012	5 - 41	C050-000760	8 - 18

**Index**

<b>Patrs Number</b>	<b>Key No.</b>	<b>Patrs Number</b>	<b>Key No.</b>	<b>Patrs Number</b>	<b>Key No.</b>
C050-000770	6 - 13	P005-001240	9 - 2	V253-000180	5 - 2
C200-000080	5 - 44	P005-001250	9 - 21	V253-000200	5 - 27
C300-000360	5 - 1	P005-001270	9 - 6	V253-000200	5 - 34
C300-000361	5 - 1	P005-001290	9 - 20	V253-000200	7 - 3
C309-000030	5 - 7	P005-001660	10 -	V253-000200	8 - 3
C450-000260	6 - 4	P005-001780	10 - 8-16	V253-000210	6 - 3
C460-000100	6 - 9	P005-001780	10 - 8-16	V253-000220	6 - 12
C486-000000	3 - 26	P005-001780	9 - 16	V253-000230	5 - 45
C500-000270	7 - 12	P005-001890	9 - 24	V253-000230	7 - 6
C500-000270	8 - 12	P005-001900	9 - 28	V253-000230	7 - 8
C503-000080	7 - 19	P005-001980	9 - 3	V253-000230	7 - 14
C503-000080	8 - 19	P005-001990	10 -	V253-000230	8 - 6
C504-000360	7 - 21	P005-002010	9 - 7	V253-000230	8 - 8
C504-000360	8 - 21	P021-001240	4 - 1	V253-000230	8 - 14
C504-000370	7 - 10	P021-002861	7 - 27	V253-000240	5 - 30
C504-000370	8 - 10	P021-004480	3 - 6	V253-000240	5 - 46
C506-000100	6 - 17	P021-005591	5 - 51	V263-000080	7 - 4
C507-000160	6 - 15	P021-009380	1 - 43	V263-000080	8 - 4
C509-000080	7 - 23	P021-009771	1 - 14	V299-000250	3 - 12
C509-000080	8 - 23	P021-010801	1 - 21	V299-000321	7 - 17
C509-000090	7 - 22	P021-011580	3 - 15	V299-000321	8 - 17
C509-000090	8 - 22	P021-013760	1 - 30	V303-000071	7 - 9
C510-000161	7 - 5	P021-015340	5 - 54	V303-000071	8 - 9
C510-000162	8 - 5	P021-015340	5 - 57	V307-000160	5 - 11
C510-000170	7 - 13	P022-002100	2 - 19	V322-000031	2 - 38
C510-000170	8 - 13	P022-006510	2 - 20	V354-000010	5 - 49
C531-000030	5 - 29	P022-006830	2 - 26	V355-000140	5 - 4
C531-000430	5 - 31	P022-006850	2 - 21	V420-001081	1 - 39
C534-000430	5 - 42	P022-008260	2 - 27	V420-001810	8 - 30
C580-000070	5 - 12	P022-008270	2 - 25	V451-000400	2 - 17
C649-000140	5 - 33	P022-008280	2 - 24	V452-000330	6 - 8
P005-000010	10 - 8-19	P022-010640	5 - 21	V452-000340	6 - 10
P005-000010	9 - 19	P022-010650	5 - 20	V470-000180	5 - 22
P005-000100	9 - 4	P022-010660	5 - 19	V470-000580	4 - 11
P005-000190	9 - 5	P022-010670	5 - 16	V471-001180	4 - 7
P005-000200	10 - 8-15	P022-010680	5 - 18	V475-003380	2 - 5
P005-000200	10 - 8-15	V043-000160	6 - 5	V475-004000	6 - 16
P005-000200	9 - 15	V100-000210	1 - 13	V491-000180	1 - 36
P005-000250	9 - 27	V103-000210	3 - 1	V495-000680	6 - 11
P005-000270	9 - 25	V103-000270	3 - 4	V505-000050	1 - 40
P005-000280	9 - 9	V104-000780	3 - 23	V583-000090	5 - 10
P005-000510	10 - 8-22	V104-000790	3 - 18	V583-000110	6 - 14
P005-000510	10 - 8-22	V135-000030	2 - 3	V651-000201	5 - 43
P005-000510	9 - 22	V150-001760	3 - 22	V651-000210	5 - 40
P005-000520	10 - 8-23	V202-000130	2 - 4	V651-000310	5 - 8
P005-000520	10 - 8-23	V203-000041	5 - 6	V651-000320	5 - 9
P005-000520	9 - 23	V203-000120	3 - 24	X122-000150	5 - 55
P005-001000	10 - 8-18	V224-000040	5 - 32	X222-000040	5 - 54
P005-001000	9 - 18	V252-000040	5 - 5	X490-000050	5 - 56

**Index**

<b>Patrs Number</b>	<b>Key No.</b>	<b>Patrs Number</b>	<b>Key No.</b>	<b>Patrs Number</b>	<b>Key No.</b>
X502-000330	2 - 34				
X505-002310	1 - 3				
X547-000700	1 - 5				
X690-000030	7 - 27				
X690-000050	7 - 27				
X690-000050	8 - 27				



# YAMABIKO CORPORATION

7-2 SUEHIROCHO 1-CHOME, OHME, TOKYO 198-8760, JAPAN  
PHONE: 81-428-32-6118. FAX: 81-428-32-6145.

**ECHO**®



(37)  
No. 35-058