



PARTS CATALOG

POWER PRUNER

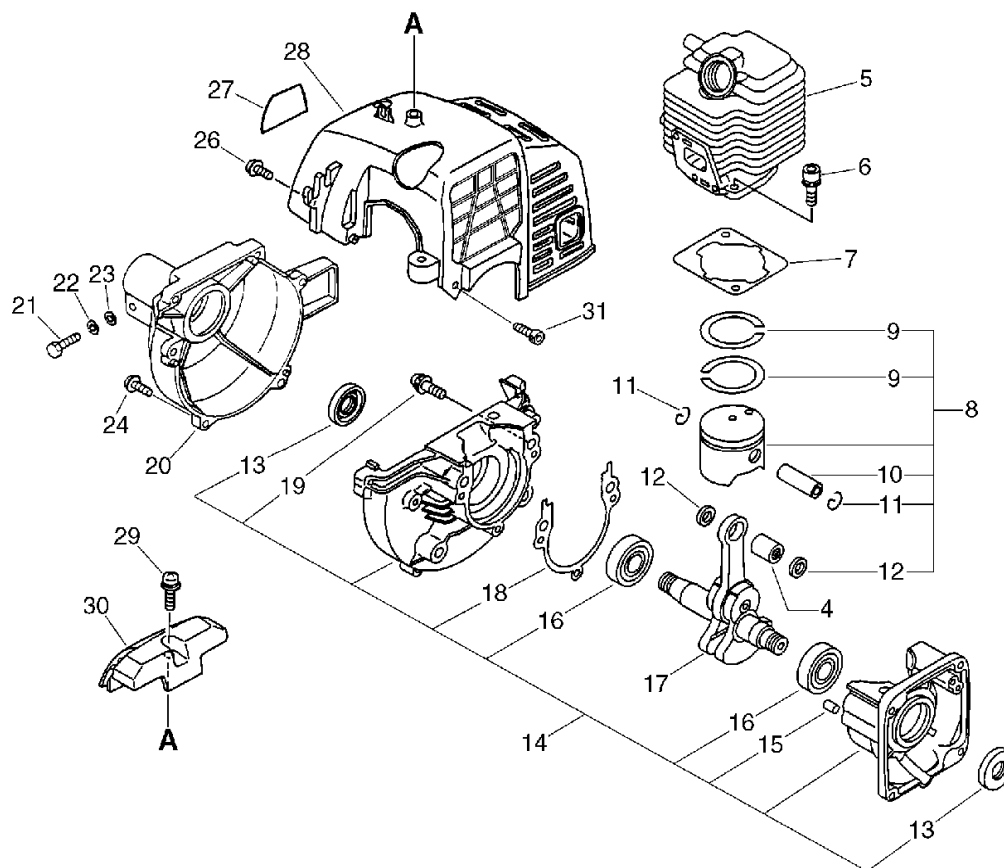
PPT-2400



PPT-2400

1. Cylinder, Crankcase, Piston, Fan Cover

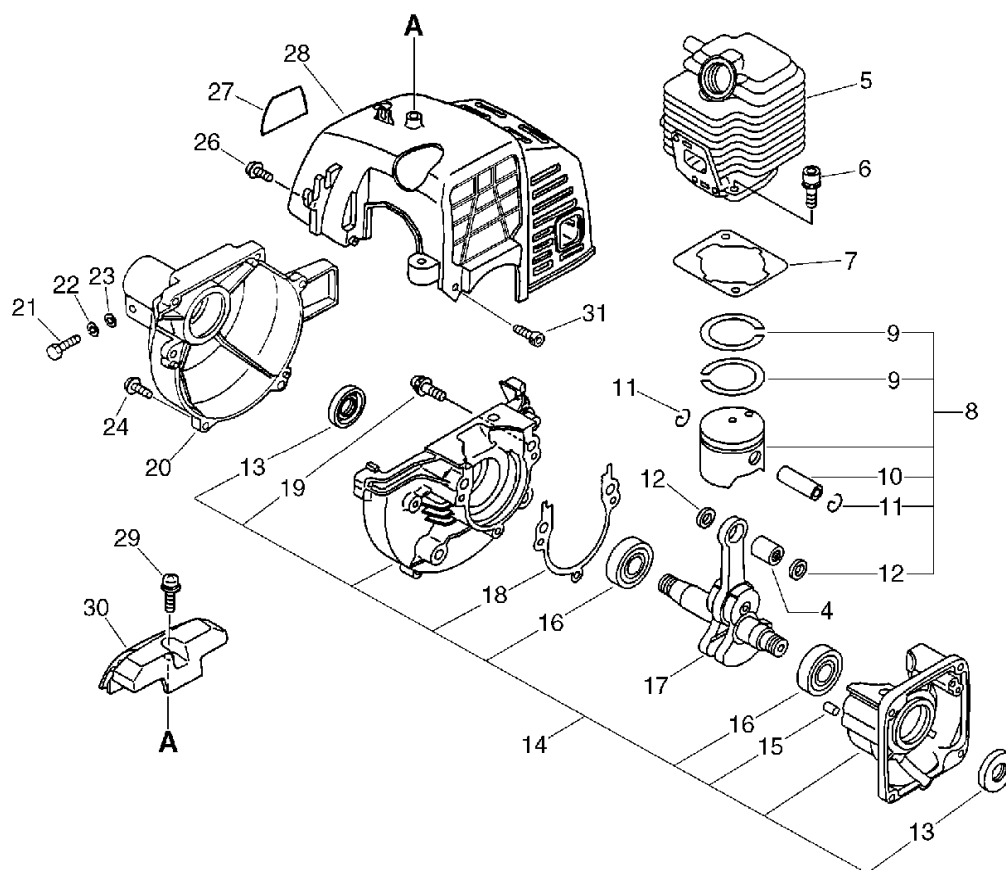
No.1



KEY	LV	PART NUMBER	Q'TY	DESCRIPTION	REMARKS	NOTE1	NOTE2
5		101011-08961	1	CYLINDER (CR)			
6		900162-05022	2	BOLT, H.S. 5*22	5*22 W,SW		
7		101010-44332	1	GASKET, CYL. BASE			
8		100000-09563	1	PISTON KIT			
9	+	100011-09560	2	RING, PISTON			
10	+	100013-11520	1	PIN, PISTON			
11	+	100015-04630	2	CIRCLIP, PISTON PIN			
12	+	100014-11520	2	SPACER, PISTON PIN			
14		100204-52130	1	CRANKCASE KIT		Sus. by 100204-52132	
14		100204-52131	1	CRANKCASE KIT		Sus. by 100204-52132	
14		100204-52132	1	CRANKCASE KIT			
13	+	100212-42030	2	OILSEAL	ISCD12*22*4.5	Sus. by 100212-42031	
13	+	100212-42031	2	OILSEAL	ISCD 12*22*4.5		
15	+	100215-03930	2	PIN, DOWEL			
16	+	900810-36201	2	BEARING, BALL 6201	6201/C3	Sus. by 94035-36201	
16	+	94035-36201	2	BEARING BALL	6201X3JR2C3		
18	+	100242-42030	1	GASKET, CRANKCASE			
19	+	900162-05028	3	BOLT, H.S. 5*28	5*28 W,SW		
17		100100-44732	1	CRANKSHAFT ASSY		Sus. by A011-000101	

1. Cylinder, Crankcase, Piston, Fan Cover

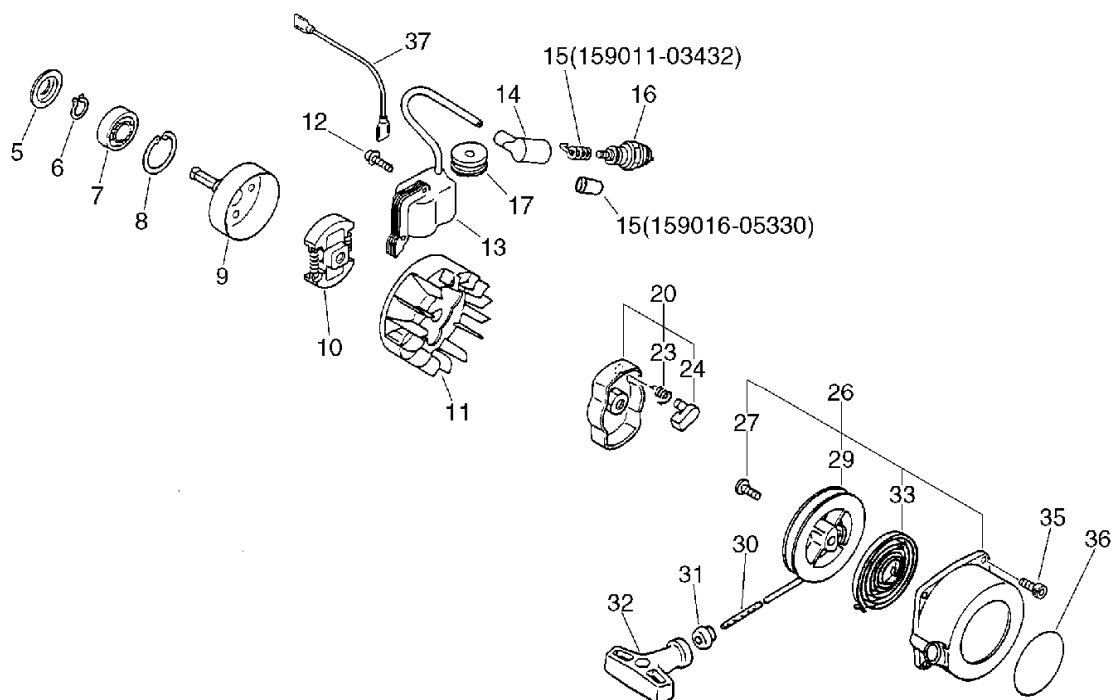
No.1



KEY	LV	PART NUMBER	Q'TY	DESCRIPTION	REMARKS	NOTE1	NOTE2
17		A011-000100	1	CRANKSHAFT,ASM		Sus. by A011-000101	
17		A011-000101	1	CRANKSHAFT,ASM			
4	+	100012-51230	1	BEARING, NEEDLE	8*12*10	Sus. by V553-000010	
4	+	V553-000010	1	BEARING,NEEDLE 8	HK0810		
20		101511-44630	1	COVER, FAN (BS)			
21		900151-05025	1	BOLT 5*25	5*25 S45C	Sus. by 900162-05025	
21		900162-05025	1	BOLT, H.S. 5*25	5*25 W,SW		
22		900605-00005	1	WASHER, SPRING 5	5	Disuse	
23		900600-00005	1	WASHER 5	5	Disuse	
24		900163-04016	4	BOLT HSH			
26		900238-04012	2	SCREW 4*12	4*12		
27		890034-24660	1	LABEL, MODEL		Sus. by 890034-24661	
27		890034-24661	1	LABEL, MODEL			
28		101514-44531	1	COVER, CYLINDER			
29		900253-05016	1	SCREW	5*16		
30		159912-44530	1	GUARD, TOP			
31		900163-04016	2	BOLT HSH			

2. Starter, Magneto, Clutch

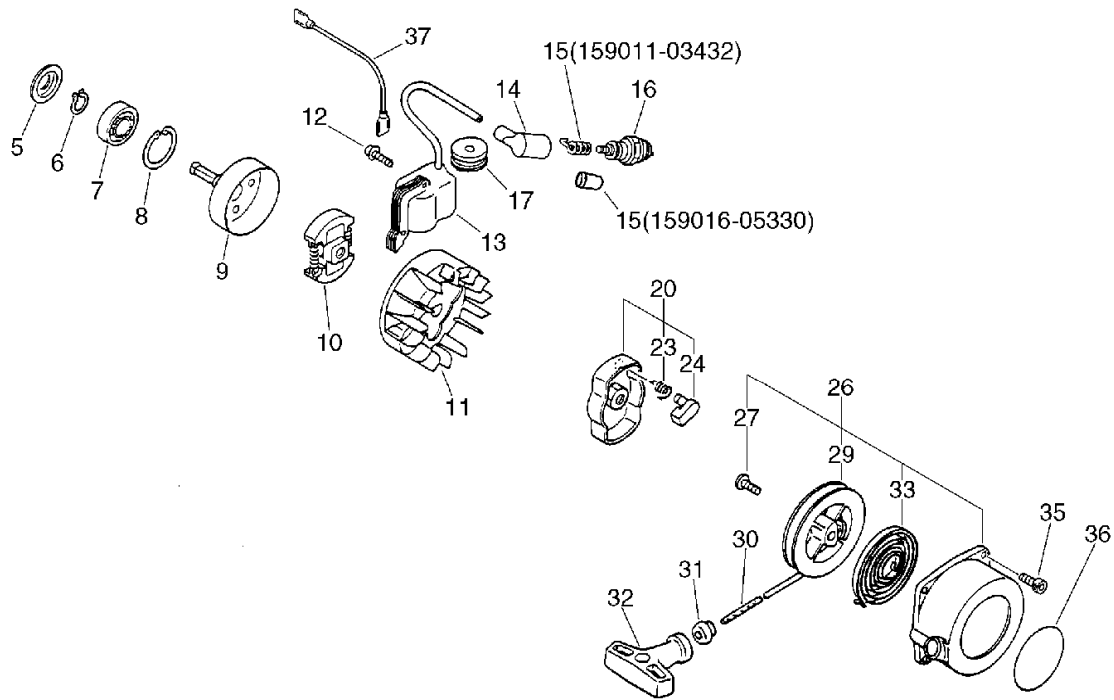
No.2



KEY	LV	PART NUMBER	Q'TY	DESCRIPTION	REMARKS	NOTE1	NOTE2
5		175053-04920	1	STOPPER			
6		900701-00012	1	CIRCLIP 12	CS-12		
7		900814-06201	1	BEARING, BALL 6201	6201ZZ		
8		900702-00032	1	CIRCLIP 32	CR-32		
9		175005-42030	1	DRUM, CLUTCH			
10		175000-56830	1	CLUTCH ASSY			
11		156801-09660	1	FLYWHEEL			
12		900162-04022	2	BOLT, H.S. 4*22	4*22 W,SW		
13		156626-52730	1	COIL, IGNITION			
14		159012-01620	1	CAP, SPARK PLUG		Sr/Nr 001397 and before	
14		159012-10230	1	CAP, SPARK PLUG		Sr/Nr 001398 and after	
15		159011-03432	1	COIL, SPARK PLUG		Sr/Nr 001397 and before	
15		159016-05330	1	ADAPTER, PLUG CAP		Sr/Nr 001398 and after	
16		159010-10230	1	PLUG, SPARK (BPMR-7A)	BPMR-7A		
17		150112-44330	1	BUSHING			
20		177202-44330	1	PAWL ASSY, STARTER		Sus. by 177202-44331	
20		177202-44331	1	PAWL ASM., STARTER			
23	+	177234-42030	1	SPRING, RETURN			
24	+	177218-44330	1	PAWL, STARTER	BLACK		
26		177200-42033	1	STARTER ASSY			
27	+	177236-44330	1	SCREW			

2. Starter, Magneto, Clutch

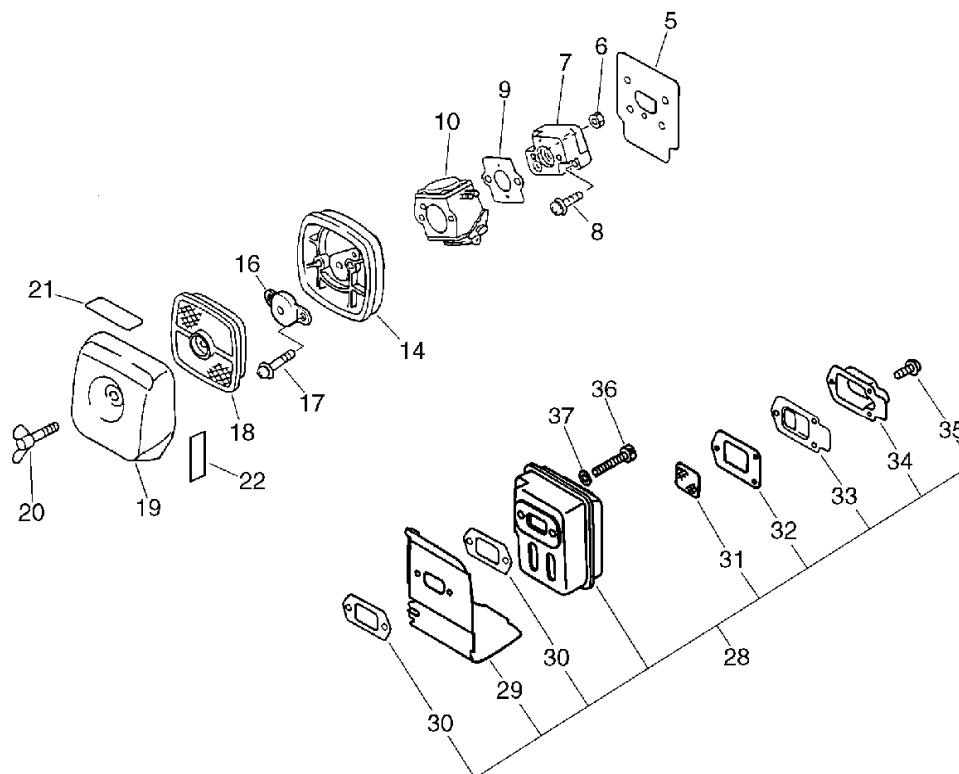
No.2



KEY	LV	PART NUMBER	Q'TY	DESCRIPTION	REMARKS	NOTE1	NOTE2
29	+	177215-44430	1	DRUM, STARTER			
30	+	177226-10120	1	ROPE, STARTER	3.0*1000		
31	+	177227-42030	1	GUIDE, ROPE			
32	+	177228-06530	1	GRIP, STARTER			
33	+	177220-42030	1	SPRING, REWIND			
35		900163-04016	2	BOLT HSH			
36		890118-49130	1	LABEL, ECHO			
37		162010-52830	1	LEAD, GROUND			

3. Air Cleaner, Muffler

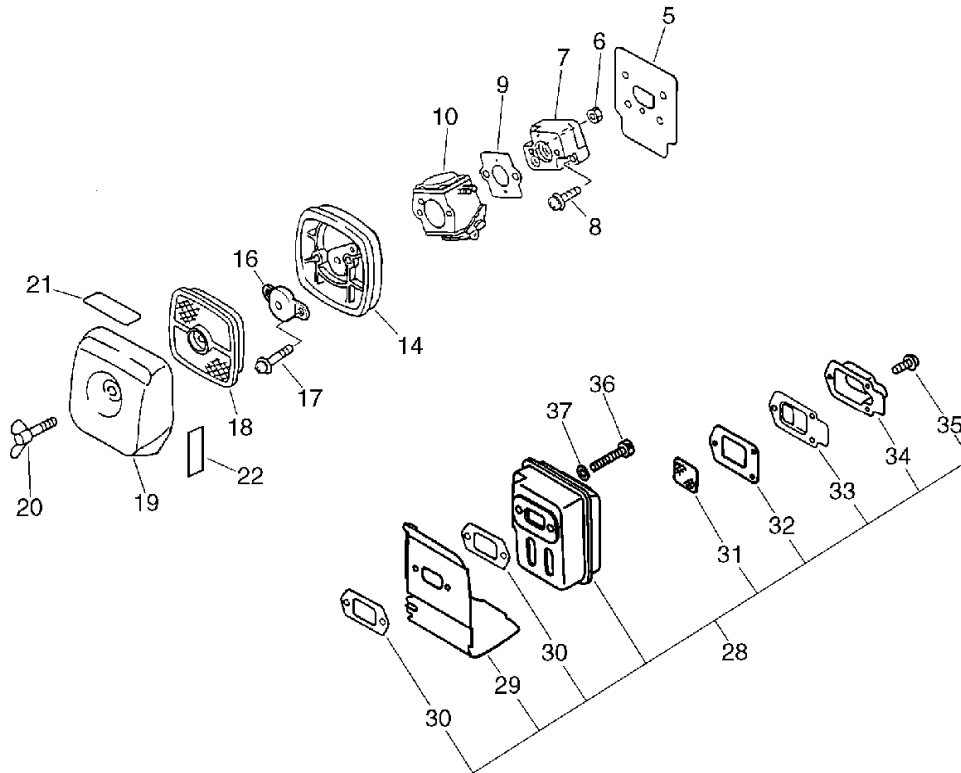
No.3



KEY	LV	PART NUMBER	Q'TY	DESCRIPTION	REMARKS	NOTE1	NOTE2
5		130010-42032	1	GASKET,INTAKE			
6		900500-00005	2	NUT 5	5		
7		130017-42031	1	INSULATOR, INTAKE			
8		900238-05020	2	SCREW 5*20	5*20		
9		130010-05960	1	GASKET, INTAKE			
10		123000-52132	1	CARBURETOR ASSY	WT424B	Sus. by 123000-52133	
10		123000-52133	1	CARBURETOR WT-424C	WT-424C		
14		130307-06761	1	CASE,AIR CLEANER			
16		129011-06360	1	PLATE, PREVENT		Sus. by 129011-06361	
16		129011-06361	1	PLATE, PREVENT			
17		900242-05065	2	SCREW 5*65	5*65		
18		130310-54130	1	FILTER, AIR			
19		130313-05863	1	LID, AIR CLEANER			
20		210417-52730	1	BOLT, WING	5*20		
21		890335-52730	1	LABEL, METERING		Sus. by 890334-52730	
21		890334-52730	1	LABEL, METERING			
22		890121-52730	1	LABEL, CHOKE		Sus. by 890332-52730	
22		890332-52730	1	LABEL, CHOKE			
28		145800-52630	1	MUFFLER ASSY		Sus. by 145800-52633	
28		145800-52631	1	MUFFLER ASY (SAM)		Sus. by 145800-52633	

3. Air Cleaner, Muffler

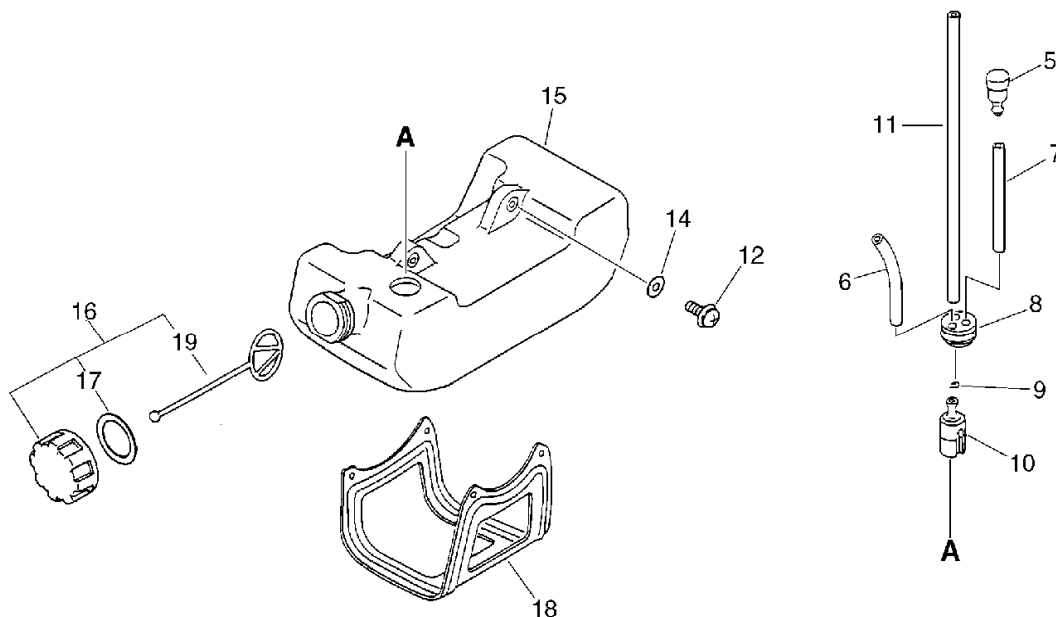
No.3



KEY	LV	PART NUMBER	Q'TY	DESCRIPTION	REMARKS	NOTE1	NOTE2
28		145800-52632	1	MUFFLER ASY (SAM)		Sus. by 145800-52633	
28		145800-52633	1	MUFFLER ASY (SAM)			
29	+	145871-44331	1	COVER, MUFFLER		Sus. by A320-000251	
29	+	145631-42030	1	COVER, MUFFLER		Sus. by A320-000251	
29	+	A320-000250	1	COVER, MUFFLER		Sus. by A320-000251	
29	+	A320-000251	1	COVER, MUFFLER			
30	+	145510-42031	2	GASKET, MUFFLER		Sus. by V104-000160	
30	+	V104-000160	2	GASKET, EXHAUST			
31	+	145862-40630	1	SCREEN, MUFFLER			
32	+	145866-42031	1	GASKET, MUFFLER LID			
33	+	145876-42030	1	LID, MUFFLER (B)			
34	+	145818-52130	1	GUIDE, EXHAUST			
35	+	900238-04010	3	SCREW 4*10	4*10		
36		900105-05055	2	BOLT, H.S. 5*55	5*55		
37		900600-00005	2	WASHER 5	5		

4. Fuel Tank

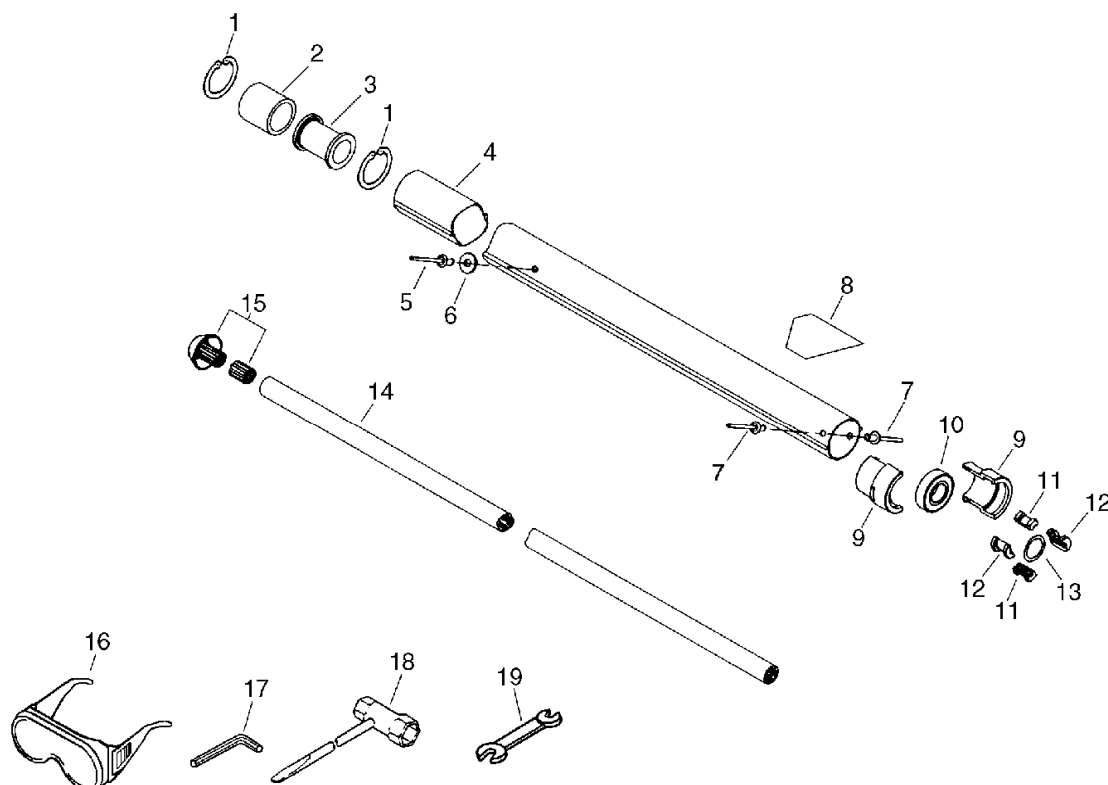
No.4



KEY	LV	PART NUMBER	Q'TY	DESCRIPTION	REMARKS	NOTE1	NOTE2
5		131300-56430	1	VALVE, CHECK		Sus. by A356-000030	
5		A356-000030	1	VALVE,CHECK			
6		132010-56330	1	PIPE 3*6*90	3*6*90 YL		
7		131312-39130	1	PIPE	3*5*70(+3)NBR	Sus. by V471-001200	
7		V471-001200	1	PIPE	3*5*70 NBR		
8		132115-46730	1	GROMMET, FUEL		Sus. by V137-000030	
8		V137-000030	1	GROMMET,FUEL			
9		132013-09820	1	CLIP	6MM		
10		131205-07320	1	STRAINER, FUEL			
11		132010-13930	1	PIPE, FUEL	3*5*180L NBR	Sus. by V471-001190	
11		V471-001190	1	PIPE	3*5*180 NBR		
12		900238-05016	2	SCREW 5*16	5*16		
14		900603-00005	2	WASHER 5	5.5*12*0.8		
15		131005-46830	1	TANK, FUEL		Sus. by 131005-46831	
15		131005-46831	1	TANK, FUEL			
16		131004-55830	1	CAP ASSY, FUEL TANK		Sus. by 131004-08960	
16		131004-08960	1	CAP ASSY, FUEL			
17	+	131016-55830	1	GASKET, FUEL CAP			
19	+	131051-52430	1	CONNECTOR, CAP	80L		
18		305110-42030	1	STAND (BL)			

5. Pipe, Tools

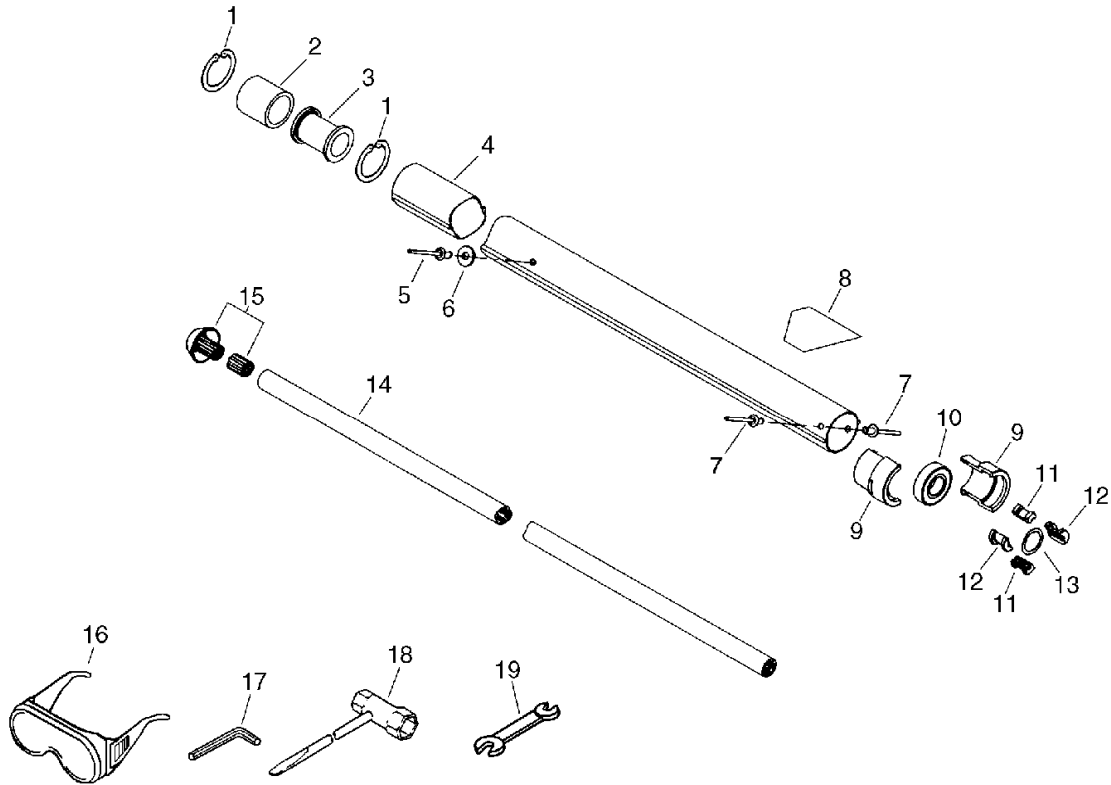
No.5



KEY	LV	PART NUMBER	Q'TY	DESCRIPTION	REMARKS	NOTE1	NOTE2
1		610335-22460	2	RING		TT No.0021.33	
2		104293-22360	1	PAD, FOAM		TT No.0436	
3		433345-22361	1	GUIDE, SHAFT		TT No.0135	
4		610210-22460	1	PIPE, MAIN		Sus. by 610210-22461	
4		610210-22461	1	PIPE, MAIN	INNER L:80		
5		890011-22460	1	RIVET		TT No.45200	
6		400111-22360	1	WASHER		TT No.0021.18	
7		890011-22360	2	RIVET		TT No.0021.15	
8		890160-22660	1	LABEL, CAUTION			
9		610111-22360	2	HOLDER, BEARING		TT No.0100	
10		900802-06002	1	BEARING, BALL 6002	6002DDU(LLU)	TT No.0116	
11		433345-22460	2	GUIDE, SHAFT		TT No.20150	
12		433345-22560	2	GUIDE, SHAFT		TT No.20151	
13		178129-22360	1	WASHER		TT No.0152	
14		610011-22460	1	SHAFT, DRIVE		TT No.24109	
15		610298-22360	1	SOCKET, SHAFT		TT No.0144	
16		899580-40930	1	GOGGLE		Sus. by P021-002861	
16		899580-68730	1	SAFETY GLASSES		Sus. by P021-002861	
16		P021-002861	1	GOGGLES			

5. Pipe, Tools

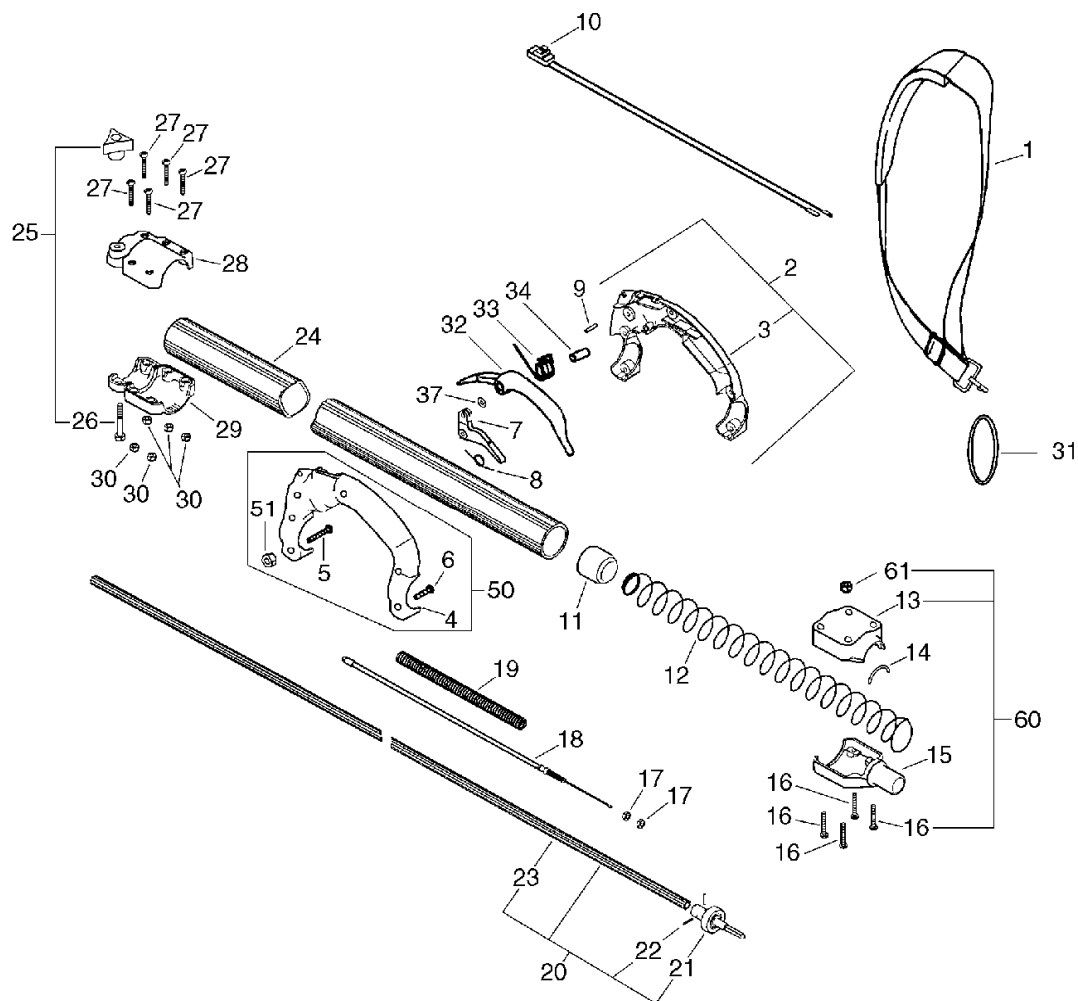
No.5



KEY	LV	PART NUMBER	Q'TY	DESCRIPTION	REMARKS	NOTE1	NOTE2
17		895612-03430	1	L-WRENCH (3MM)		TT No.0272 Sus. by 895610-00130	
17		895610-00130	1	L-WRENCH (4MM)			
18		895415-22160	1	WRENCH, SPCKET		Sus. by 895410- 39130	
18		895410-39130	1	WRENCH, W/S-DRIVER			
19		895415-22260	1	SPANNER		Sus. by 895112- 00330	
19		895112-00330	1	SPANNER 8*10			

6. Handle

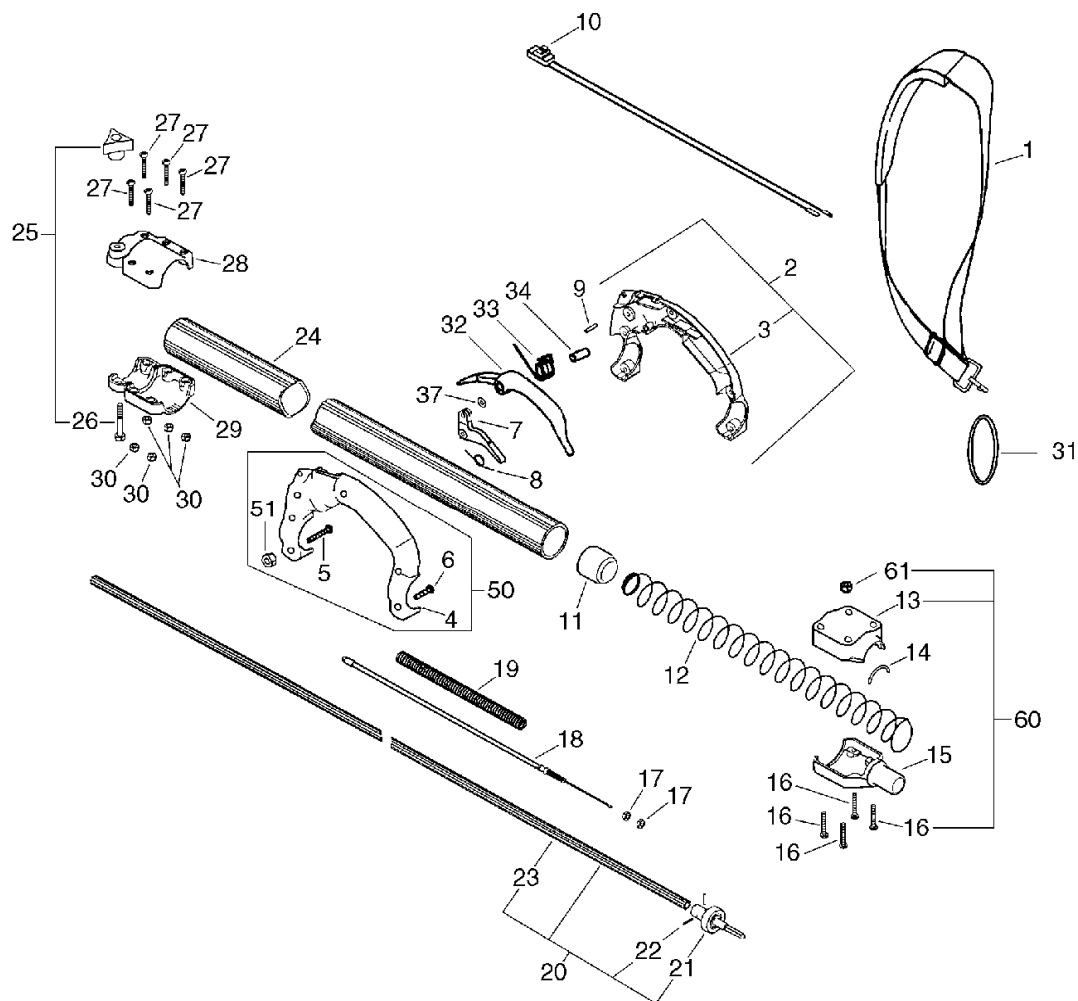
No.6



KEY	LV	PART NUMBER	Q'TY	DESCRIPTION	REMARKS	NOTE1	NOTE2
1		301000-22060	1	HARNES ASY,SHOULDER		TT No.0023	
2		351100-22560	1	HANDLE ASY, REAR		Sus. by 351100-22362	
2		351100-22360	1	HANDLE SET, REAR		Sus. by 351100-22362	
2		351100-22361	1	HANDLE SET, REAR		Sus. by 351100-22362	
2		351100-22362	1	HANDLE SET, REAR			
3	+	351129-22360	1	HANDLE, REAR		TT No.0170 Sr/Nr 001397 and before	
3	+	351110-22560	1	HANDLE, REAR		Sus. by 351110-22561	
3	+	351110-22561	1	HANDLE, REAR		Sr/Nr 001398 and after	
4	+	351101-22360	1	HANDLE REAR		TT No.0017 Sr/Nr 001397 and before	
4	+	351101-22560	1	HANDLE , REAR		Sus. by P021-003531	
4	+	351101-22561	1	HANDLE, REAR		Sus. by P021-003531	
5	+	900053-00400	4	SCREW		TT No.45140 Can be used on 351100-22560,-22360	

6. Handle

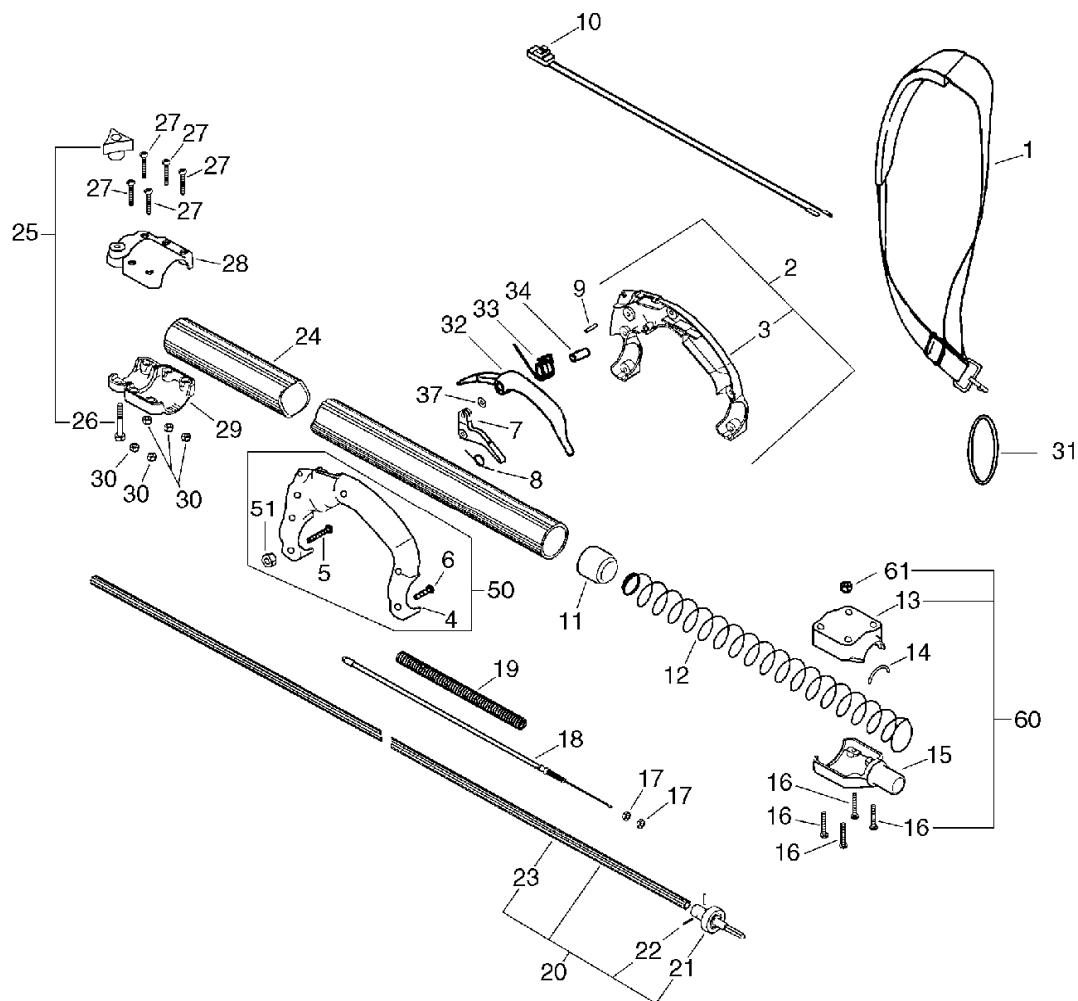
No.6



KEY	LV	PART NUMBER	Q'TY	DESCRIPTION	REMARKS	NOTE1	NOTE2
6	+	900053-00300	2	SCREW		TT No.45130 Can be used on 351100-22560,-22360	
50	+	P021-003530	1	HANDLE ASY		Sus. by P021-003531	
50	+	P021-003531	1	HANDLE ASY			
4	++	C410-000090	1	HANDLE,REAR	PP THROT LOCKOUT		
5	++	900053-00400	6	SCREW		Can be used on the P021-003530 only	
5	++	900053-00400	2	SCREW		Can be used on the P021-003531 only	
6	++	900053-00500	4	SCREW, PAN HEAD		Can be used on the P021-003531 only	
51	++	900031-50100	6	LOCKNUT			
7		178010-22560	1	TRIGGER, THROTTLE		Sus. by C450-000090	
7		C450-000090	1	TRIGGER, THROTTLE		Sr/Nr 001398 and after	
8		178043-22360	1	SPRING		TT No.0180	
9		889960-22660	1	PIN, STRAIGHT		TT No.0021.13	

6. Handle

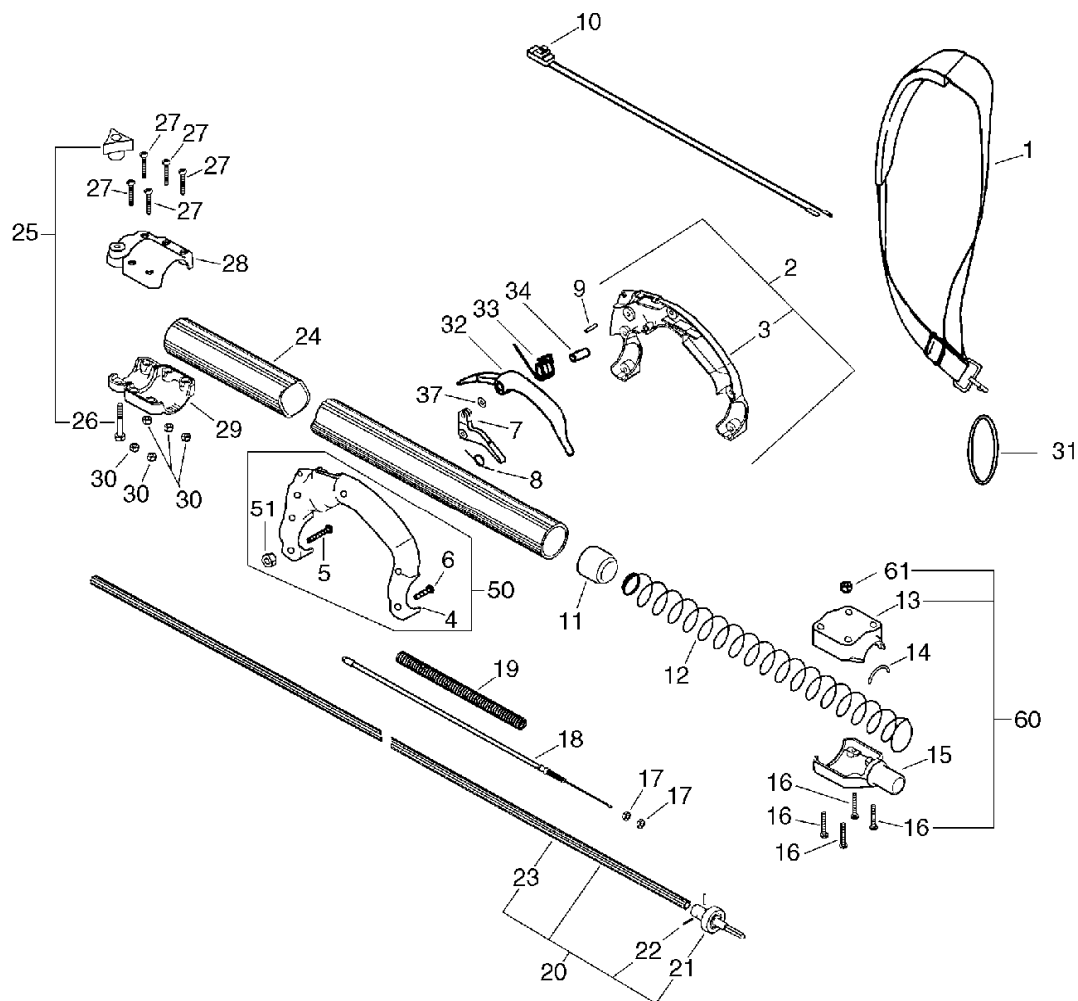
No.6



KEY	LV	PART NUMBER	Q'TY	DESCRIPTION	REMARKS	NOTE1	NOTE2
10		163400-49230	1	SWITCH, IGNITION		Sus. by 163401-55631	
10		163401-55631	1	SWITCH, IGNITION			
11		433345-22660	1	GUIDE, SHAFT		TT No.20100	
12		104940-22560	1	SPRING		TT No.0110	
13		610810-22360	1	CAP, PIPE		TT No.0160 Sus. by P021-003540	
60		P021-003540	1	CAP, MAIN PIPE ASY			
13	+	C525-000000	1	CAP, MAIN PIPE			
16	+	900053-00500	4	SCREW, PAN HEAD		Can be used on the P021-003540 only	
61	+	900031-50100	4	LOCKNUT			
14		104910-22460	1	CUSHION		TT No.0167	
15		610248-22360	1	CONNECTOR, PIPE		TT No.0016.2 Sus. by C510-000050	
15		610248-22361	1	CONNECTOR, PIPE		TT No.0016.2 Sus. by C510-000050	
15		610248-22362	1	CONNECTOR, PIPE		TT No.0016.2 Sus. by C510-000050	
15		C510-000050	1	COUPLING, MAIN PIPE		Sus. by C510-000120	

6. Handle

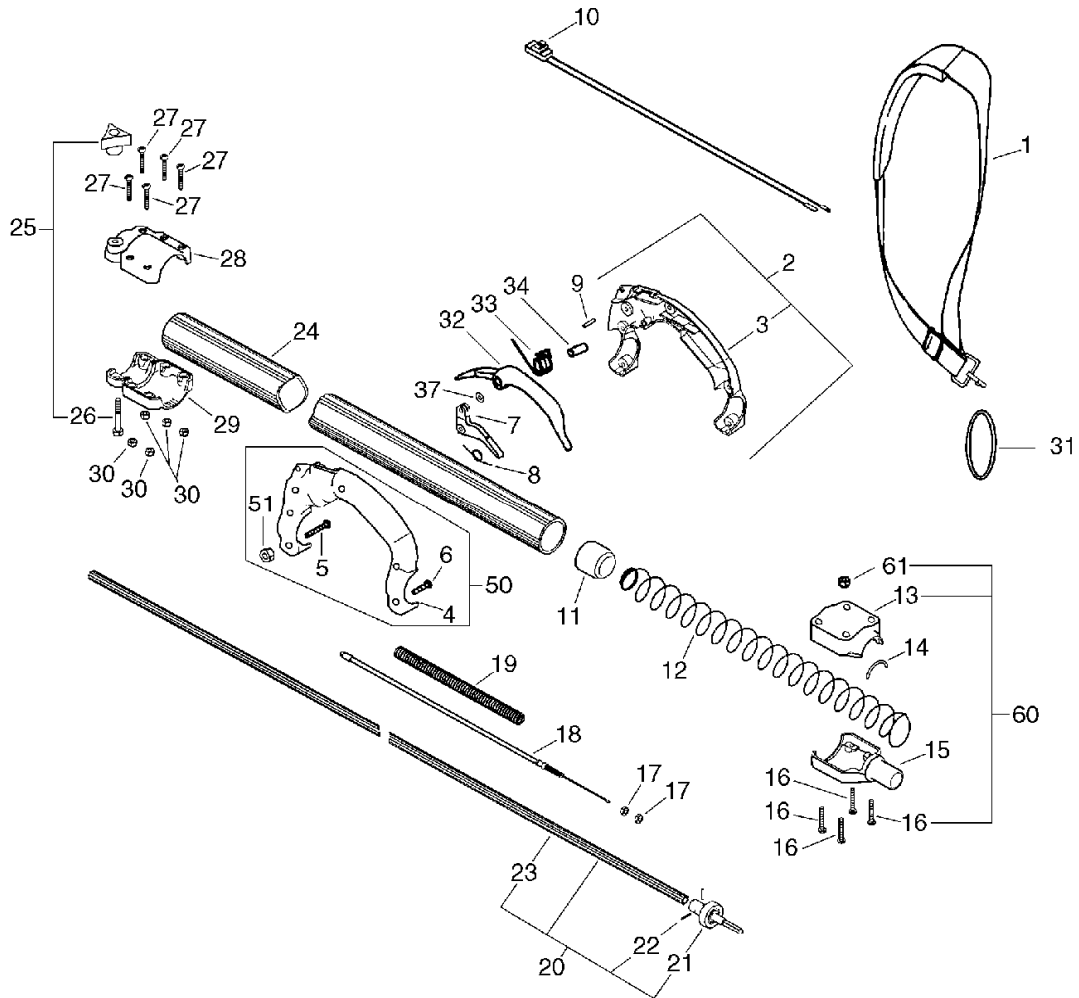
No.6



KEY	LV	PART NUMBER	Q'TY	DESCRIPTION	REMARKS	NOTE1	NOTE2
15		C510-000120	1	COUPLING, MAIN PIPE			
16		900053-00400	4	SCREW			TT No.45140 Can be used on the 610810-22360 only
17		900502-00006	2	NUT 6 (3N)	3N6		
18		178001-51030	1	WIRE, THROTTLE			
19		178016-22360	1	TUBE			TT No.0190
20		610006-22060	1	SHAFT, DRIVE			TT No.5000.10
21	+	610012-22360	1	CONNECTOR, SHAFT			TT No.0166.10
22	+	880050-22360	2	PIN, SPIRAL			Sus. by V620-000000
22	+	V645-000000	2	PIN, SPIRAL	.098" X .687"		Sus. by V620-000000
22	+	V620-000000	1	PIN, STRAIGHT 3>	2.5 * 20MM		
23	+	610011-22060	1	SHAFT, DRIVE			Sus. by 610011-22061
23	+	610011-22061	1	SHAFT, DRIVE			
24		610222-24660	1	PIPE, MAIN			Sus. by 610222-22360
24		610222-22360	1	PIPE, MAIN			
25		130406-22360	1	THUMB			
26	+	900051-00100	1	SCREW			Sus. by V204-000090

6. Handle

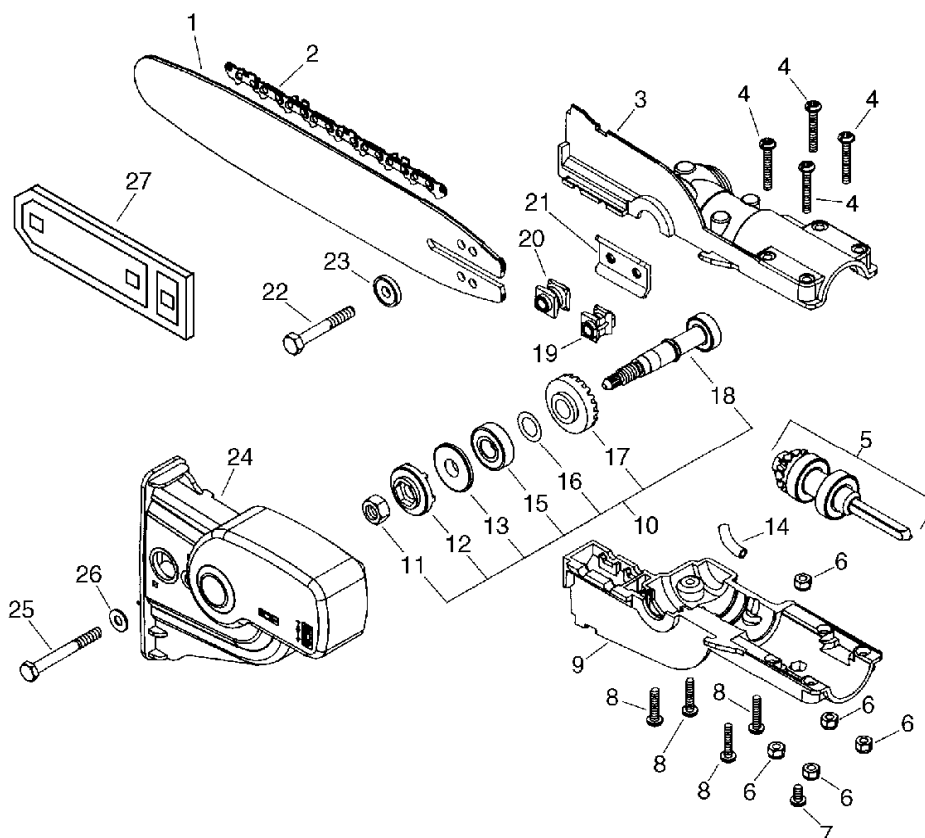
No.6



KEY	LV	PART NUMBER	Q'TY	DESCRIPTION	REMARKS	NOTE1	NOTE2
26	+	V204-000090	1	BOLT,6		TT No.0021	
27		900053-00400	5	SCREW		TT No.45140	
28		610282-22460	1	COLLAR, MAIN PIPE		TT No.20013	
29		610282-22360	1	COLLAR, MAIN PIPE		TT No.20130	
30		900031-50100	5	LOCKNUT		TT No.45170	
31		301016-52730	1	RING,HARNES			
32		178090-22560	1	LOCKOUT, THR.CONTROL		Sr/Nr 001398 and after	
33		178043-22560	1	SPRING		Sus. by 178043-22562	
33		178043-22561	1	SPRING	.39 INSIDE DIA.	Sus. by 178043-22562	
33		178043-22562	1	SPRING		Sr/Nr 001398 and after	
34		610850-22560	1	COLLAR		Sr/Nr 001398 and after	
37		900603-00005	1	WASHER 5	5.5*12*0.8		

7. Gear Case(Sr/Nr 002100 and before)

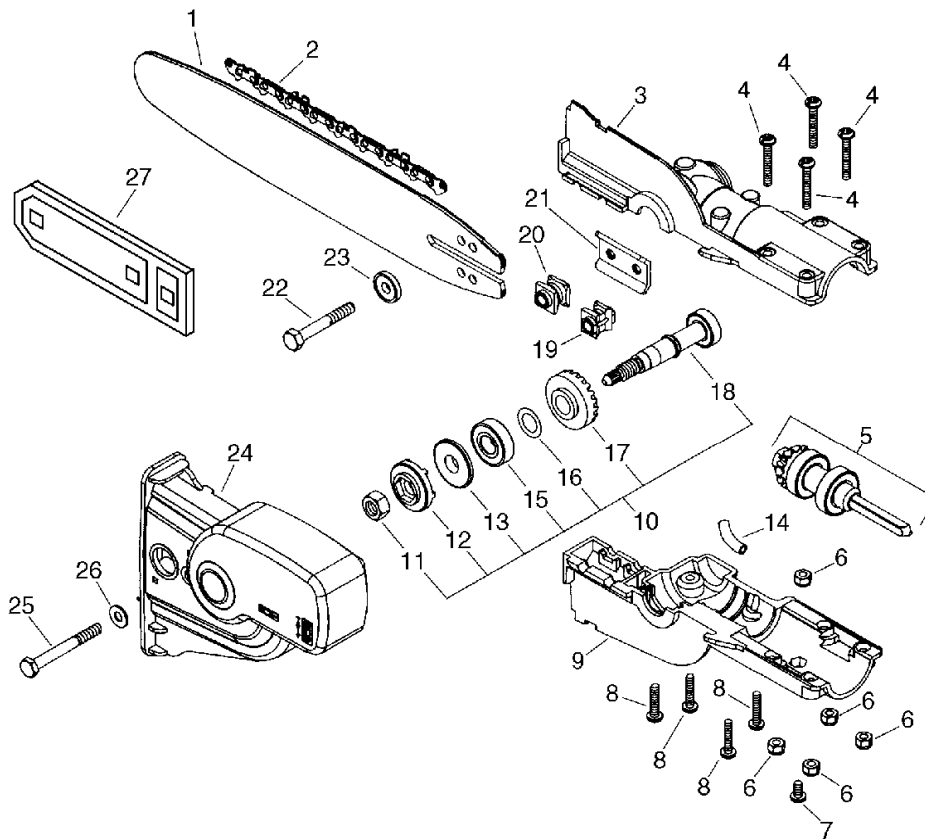
No.7



KEY	LV	PART NUMBER	Q'TY	DESCRIPTION	REMARKS	NOTE1	NOTE2
1		430411-22360	1	BAR, GUIDE30RC43-3/8	30RC-43-3/8		
2		431611-22360	1	CHAIN, SAW	90SG-44	TT No.23011	
3		610407-22460	1	CASE, GEAR		TT No.24107	
4		900053-00400	4	SCREW		TT No.45140	
5		610309-22360	1	SHAFT, GEAR			
6		900031-50100	5	LOCKNUT		Can be used on the 610410-22360	
6		900031-50100	4	LOCKNUT		Can be used on the 610401-22360	
7		900053-00200	1	SCREW		TT No.45120	
8		900053-00300	4	SCREW		TT No.45130	
9		610410-22360	1	CASE, GEAR		Sus. by 610401- 22360	
9		610401-22360	1	HOUSING ASSY, GEAR			
10		610306-22360	1	SHAFT, GEAR		TT No.3002	
11	+	900030-00200	1	NUT		TT No.40512	
12	+	302810-22360	1	SPROCKET, DRIVE		TT No.0003.1	
13	+	302812-22360	1	PLATE, SPROCKET		TT No.0113.1	
15	+	900802-06001	1	BEARING, BALL 6001	6001DDU(LLU)	Sus. by 94042- 06001	
15	+	94042-06001	1	BEARING BALL	6001LLU		
16	+	100132-22060	1	WASHER		TT No.0141	
17	+	610311-22360	1	GEAR		TT No.0005	
18	+	610360-22360	1	SHAFT, P.T.O.		TT No.0105	

7. Gear Case(Sr/Nr 002100 and before)

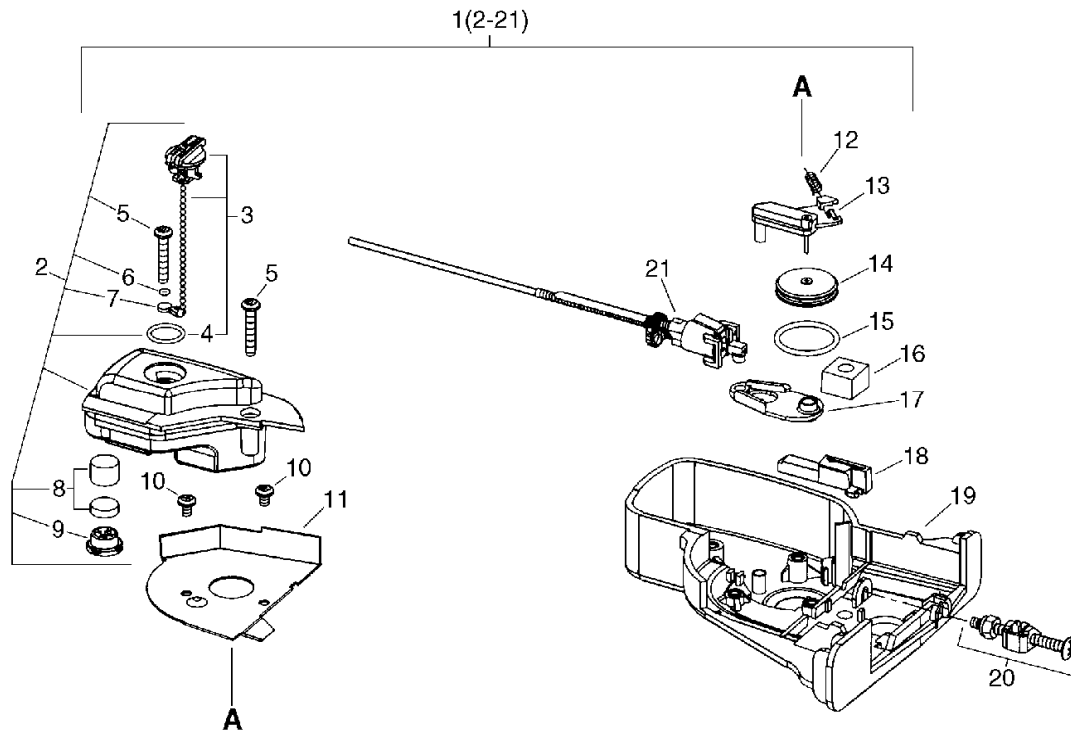
No.7



KEY	LV	PART NUMBER	Q'TY	DESCRIPTION	REMARKS	NOTE1	NOTE2
14		104910-22360	1	CUSHION		TT No.0168	
19		110076-22460	1	SPACER		TT No.0124	
20		110076-22360	1	SPACER		TT No.0112	
21		433055-22360	1	BRACKET, GUIDE BAR		TT No.20108	
22		900051-00100	1	SCREW		TT No.0021.1	
23		178020-22360	1	WASHER		TT No.0102	
24		437605-22360	1	COVER, OILER		TT No.0030	
25		900056-00200	1	BOLT, SHOULDER		TT No.0021.8	
26		900035-00200	1	WASHER,FLAT		TT No.0021.37	
27		898513-22360	1	SCABBARD, GUIDE BAR		TT No.20193 Sus. by X490-000050	
27		X490-000050	1	SCABBARD,CHAIN	12" BAR		

8. Oiler Assy(Sr/Nr 002100 and before)

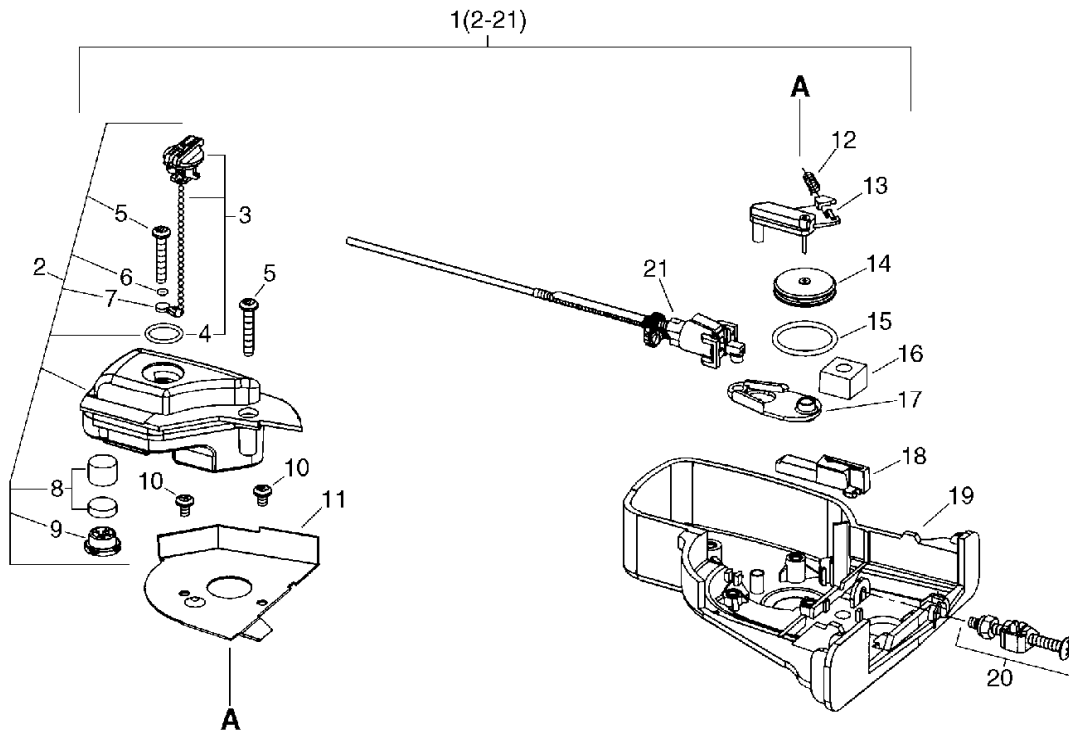
No.8



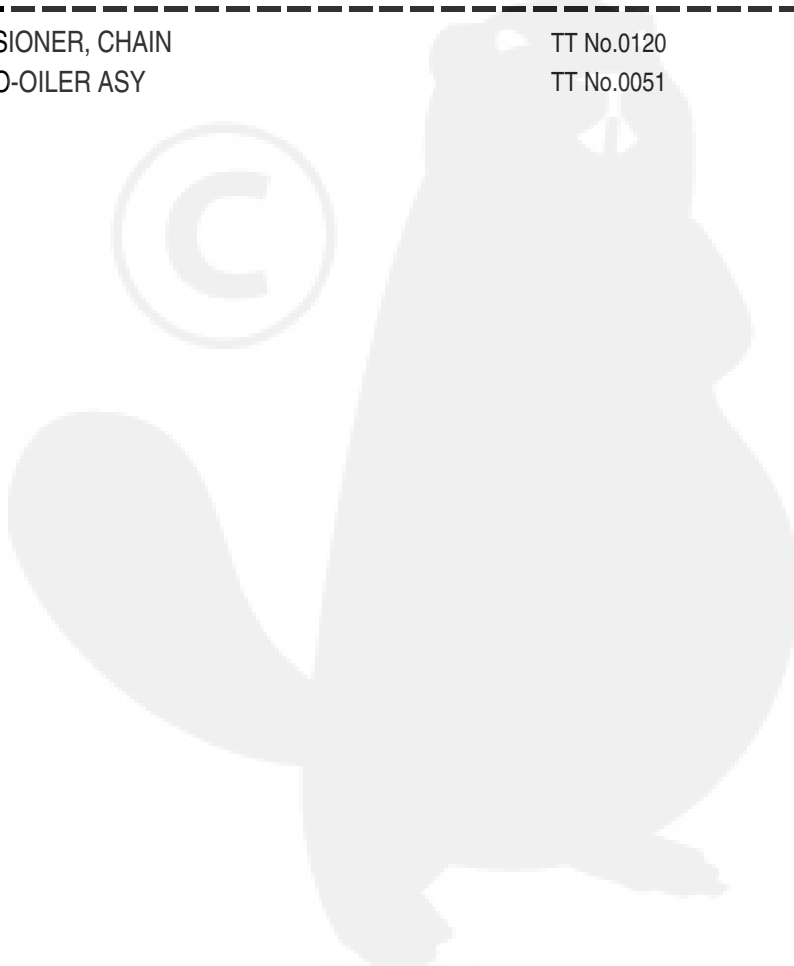
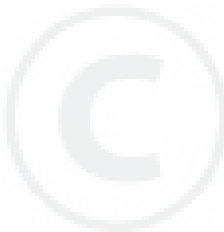
KEY	LV	PART NUMBER	Q'TY	DESCRIPTION	REMARKS	NOTE1	NOTE2
1		437000-22360	1	AUTO-OILER ASY		TT No.1206	
2	+	436005-22360	1	TANK, OIL		TT No.1210	
3	++	436001-22060	1	CAP, OIL		TT No.00055	
4	++	437122-22060	1	O-RING		TT No.0021.28	
5	++	900052-00300	2	SCREW		TT No.0021.26	
6	++	270217-22460	1	O-RING		TT No.0021.49	
7	++	169920-22360	1	CAP, CONNECTOR		TT No.0021.41	
8	++	436205-22360	1	STRAINER, OIL		TT No.0021.31	
9	++	437243-22360	1	GROMMET		TT No.20058	
10	+	900052-00200	2	SCREW		TT No.0021.27	
11	+	699025-22360	1	PLATE, PROTECTION		TT No.0050	
12	+	104940-22360	2	SPRING		TT No.0035	
13	+	707000-22360	1	ROD ASY, OILER		TT No.0054	
14	+	437068-22360	1	CAM, PUMP		TT No.0032	
15	+	437122-22360	1	O-RING		TT No.0021.29	
16	+	110076-22560	1	SPACER		TT No.0126	
17	+	437041-22360	1	PIECE, PLUNGER		TT No.0036	
18	+	168218-22160	1	PIPE		TT No.0039	
19	+	437605-22360	1	COVER, OILER		TT No.0030	

8. Oiler Assy(Sr/Nr 002100 and before)

No.8

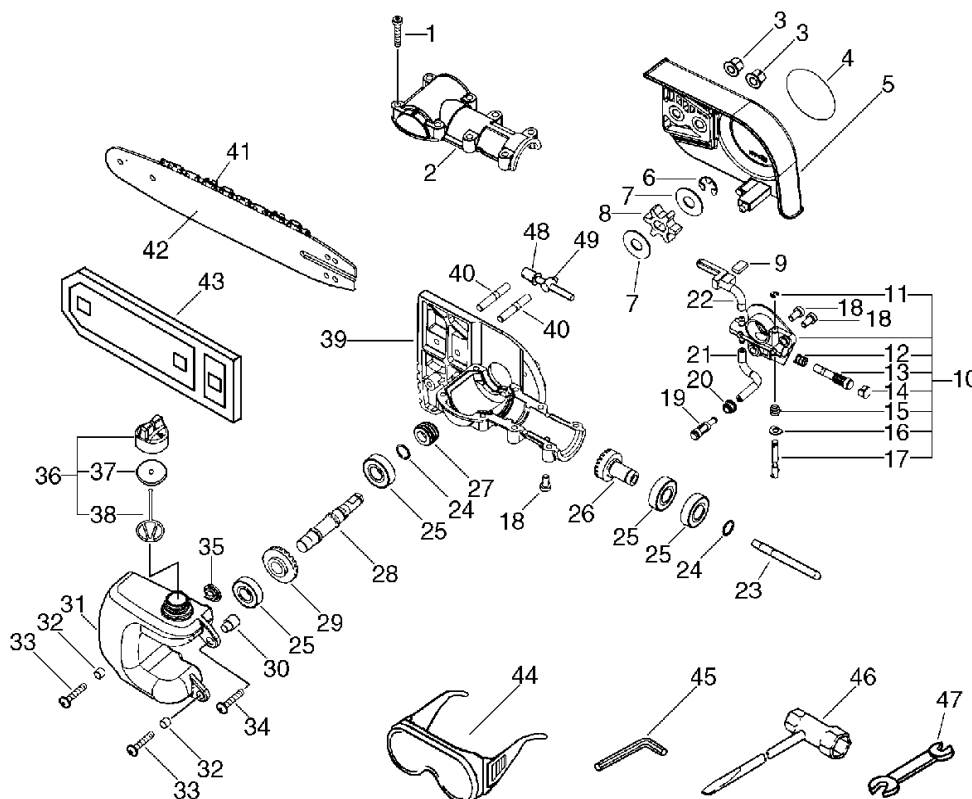


KEY	LV	PART NUMBER	Q'TY	DESCRIPTION	REMARKS	NOTE1	NOTE2
20	+	433095-22360	1	TENSIONER, CHAIN		TT No.0120	
21	+	437000-22460	1	AUTO-OILER ASY		TT No.0051	



9. Auto-Oiler, Gear Case, Tools(Sr/Nr 002101 and after)

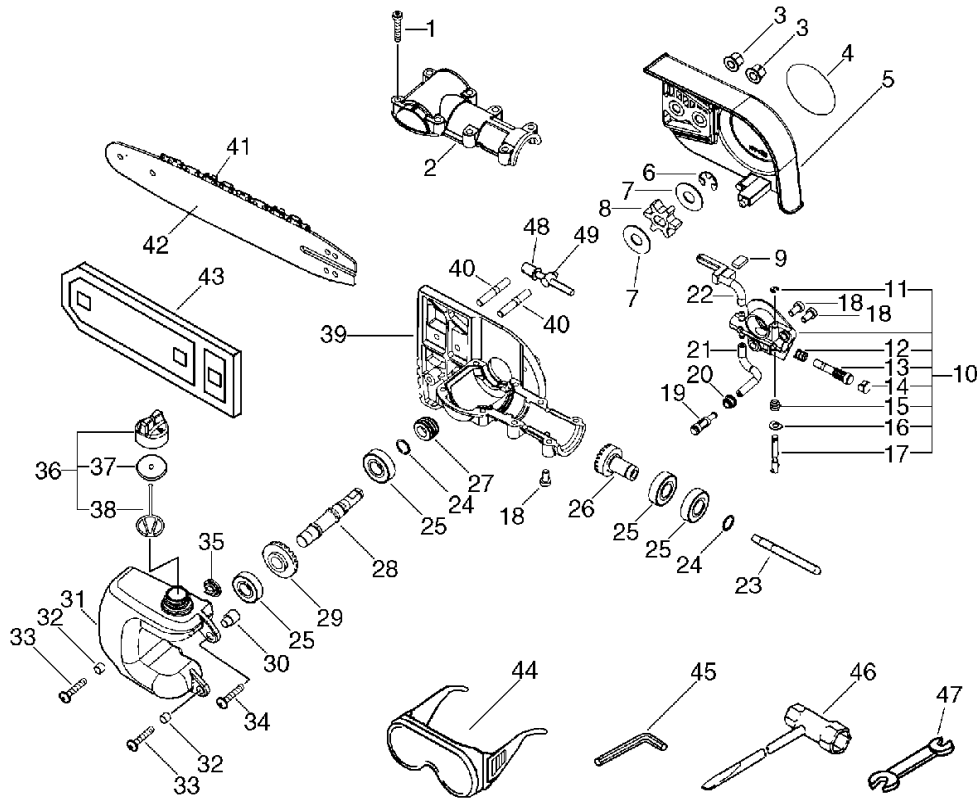
No.9



KEY	LV	PART NUMBER	Q'TY	DESCRIPTION	REMARKS	NOTE1	NOTE2
1		V253-000000	8	SCREW,5	5*25		
2		C531-000030	1	CASE,GEAR			
3		433019-03933	2	NUT, FLANGE 6	6		
4		890118-49130	1	LABEL, ECHO			
5		C300-000000	1	GUARD,SPROCKET		Sus. by C300-000001	
5		C300-000001	1	GUARD,SPROCKET			
6		V583-000010	1	RING			
7		175014-39130	2	WASHER, CLUTCH	10.2*25*1.2	Sus. by 175014-39131	
7		175014-39131	2	WASHER, CLUTCH	10.2*24.5*1.2		
8		C580-000070	1	SPROCKET,DRIVE			
9		437244-39130	1	PAD, FORM			
10		437002-39130	1	AUTO-OILER ASSY			
11	+	123127-15030	1	RING			
12	+	437019-38330	1	SPRING			
13	+	437024-37330	1	PLUNGER			
14	+	437062-37330	1	CAP, OIL PUMP			
15	+	437015-37330	1	SPRING			
16	+	437029-37330	1	WASHER			
17	+	437016-39130	1	NEEDLE, ADJUST			
18		V253-000010	3	SCREW,5	5*10		
19		436205-02832	1	STRAINER, OIL			
20		132115-01461	1	GROMMET			
21		130110-12330	1	PIPE, IMPULSE	3*6*70L		

9. Auto-Oiler, Gear Case, Tools(Sr/Nr 002101 and after)

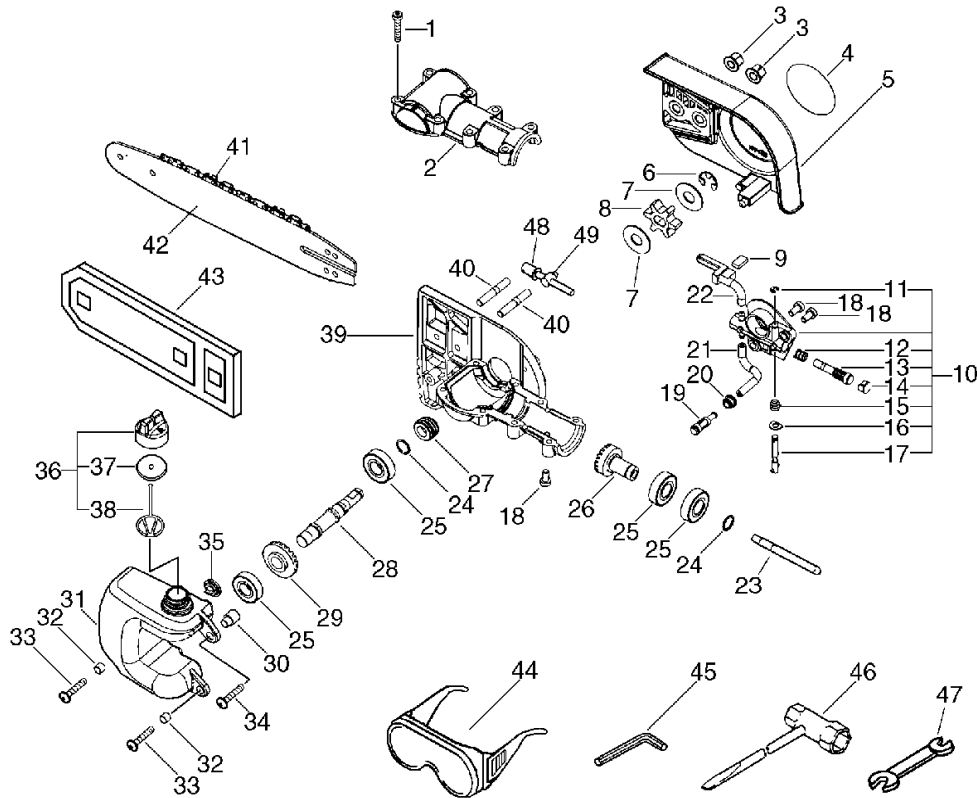
No.9



KEY	LV	PART NUMBER	Q'TY	DESCRIPTION	REMARKS	NOTE1	NOTE2
22		V470-000180	1	PIPE			
23		610025-22360	1	CONNECTOR, SHAFT		Sus. by 610025-22361	
23		610025-22361	1	CONNECTOR, SHAFT			
24		900706-00012	2	CIRCLIP 12	WR-12		
25		94042-06001	4	BEARING BALL	6001LLU		
26		V651-000041	1	GEAR,BEVEL		Sus. by V651-000042	
26		V651-000042	1	GEAR,BEVEL			
27		437063-38330	1	GEAR, WORM			
28		C534-000020	1	SHAFT,GEAR			
29		610311-22061	1	GEAR			
30		V354-000010	1	COLLAR,6			
31		C200-000000	1	TANK,OIL			
32		131045-28230	2	COLLAR			
33		V253-000030	2	SCREW,5	5*16		
34		V253-000020	1	SCREW,5	5*28		
35		131314-06320	1	VALVE, CHECK			
36		P021-000950	1	CAP ASSY, OIL		Sus. by P021-000951	
36		P021-000951	1	CAP ASSY, OIL			
37	+	436012-37830	1	GASKET, CIRCULAR			
38	+	131051-19830	1	LINK	60L	Sus. by X490-000050	
38	+	A365-000050	1	CONNECTOR,CAP			
39		C531-000040	1	CASE,GEAR			

9. Auto-Oiler, Gear Case, Tools(Sr/Nr 002101 and after)

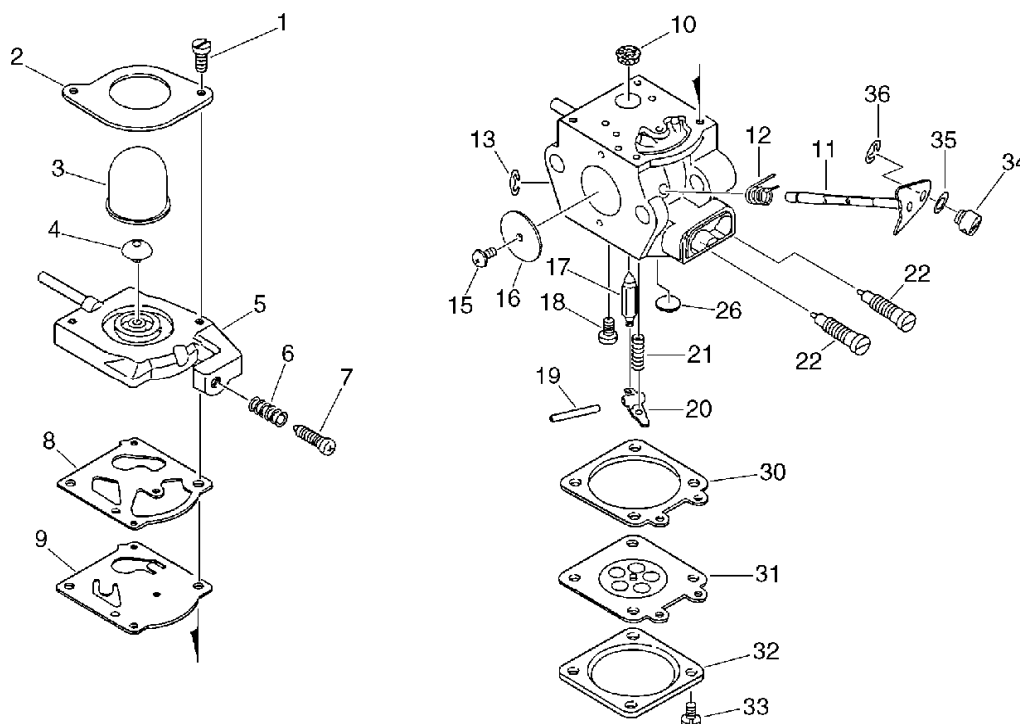
No.9



KEY	LV	PART NUMBER	Q'TY	DESCRIPTION	REMARKS	NOTE1	NOTE2
40		V224-000000	2	BOLT,STUD 6			
41		431611-22360	1	CHAIN, SAW	90SG-44		
42		430411-22360	1	BAR, GUIDE30RC43-3/8	30RC-43-3/8		
43		898513-22360	1	SCABBARD, GUIDE BAR		Sus. by X490-000050	
43		X490-000050	1	SCABBARD,CHAIN	12" BAR		
44		899580-68730	1	SAFETY GLASSES		Sus. by P021-002861	
44		P021-002861	1	GOGGLES			
45		895612-03430	1	L-WRENCH (3MM)		Sus. by 895410-39130	
45		895610-00130	1	L-WRENCH (4MM)			
46		895410-39130	1	WRENCH, W/S-DRIVER		Sus. by 895410-39131	
46		895410-39131	1	WRENCH, W/S-DRIVER			
47		895112-00330	1	SPANNER 8*10			
48		433016-39131	1	BOLT			
49		433014-03931	1	TENSIONER			

10. Carburetor

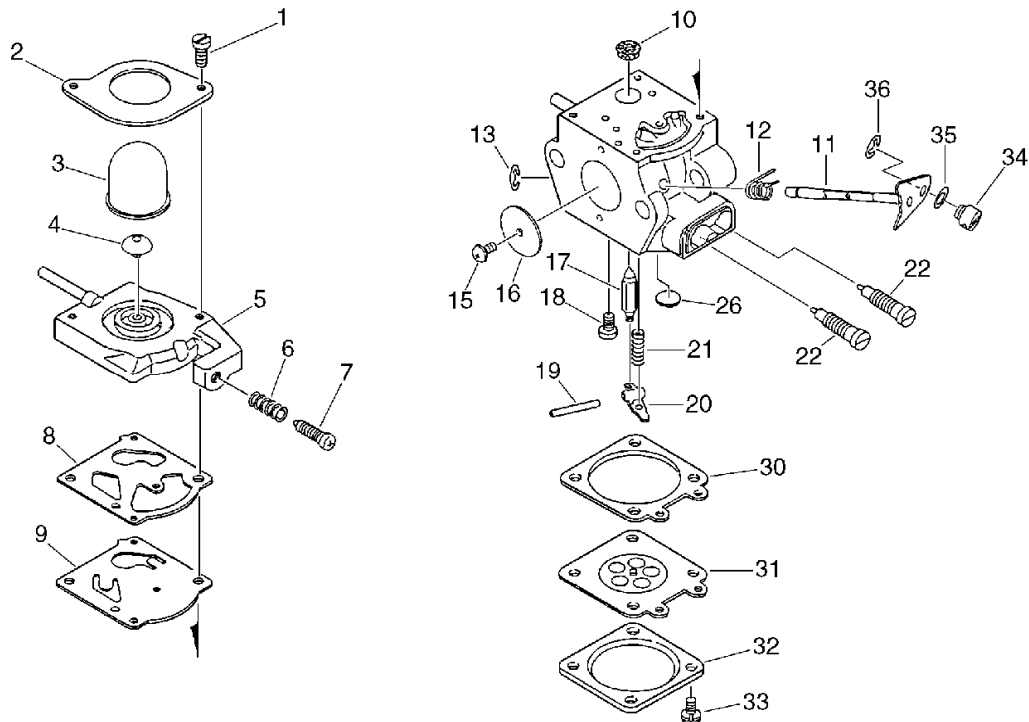
No.10



KEY	LV	PART NUMBER	Q'TY	DESCRIPTION	REMARKS	NOTE1	NOTE2
		123000-52132	1	CARBURETOR ASSY	WT424B	Sus. by 123000-52133	
		123000-52133	1	CARBURETOR WT-424C	WT-424C		
1	+	123110-43130	2	SCREW			
2	+	123142-09560	1	COVER, PRIMER PUMP			
3	+	123181-09560	1	PUMP, PRIMER			
4	+	123171-35630	1	VALVE, CHECK			
5	+	123124-43230	1	COVER, FUEL PUMP			
6	+	123133-04260	1	SPRING, IDLE ADJUST			
7	+	123134-04260	1	SCREW, IDLE ADJUST			
8	+	123125-09560	1	GASKET, FUEL PUMP			
9	+	123112-09560	1	DIAPHRAGM, FUEL PUMP			
10	+	123126-10631	1	SCREEN, INLET			
11	+	123117-52130	1	SHAFT, THROTTLE			
12	+	123113-52130	1	SPRING, THE.RTN			
13	+	123127-15030	1	RING			
15	+	123114-38830	1	SCREW			
16	+	123116-53130	1	VALVE, THROTTLE			
17	+	123137-19830	1	VALVE, INLET NEEDLE			
18	+	123139-03930	1	SCREW, M. LEVER PIN			
19	+	123138-03930	1	PIN, METERING LEVER			
20	+	123123-03930	1	LEVER, METERING			
21	+	123122-39330	1	SPRING, METER. LEVER			
22	+	123120-52131	2	NEEDLE, HIGH SPEED			
26	+	123146-10631	1	PLUG, WELCH			
30	+	123140-03930	1	GASKET, M. DIAPHRAGM			

10. Carburetor

No.10



KEY	LV	PART NUMBER	Q'TY	DESCRIPTION	REMARKS	NOTE1	NOTE2
31	+	123141-03930	1	DIAPHRAGM, METERING			
32	+	123142-03930	1	COVER, M. DIAPHRAGM			
33	+	123130-02960	4	SCREW			
34	+	123172-26030	1	SWIVEL			
35	+	123149-26030	1	WASHER			
36	+	123173-07930	1	CLIP			

Index

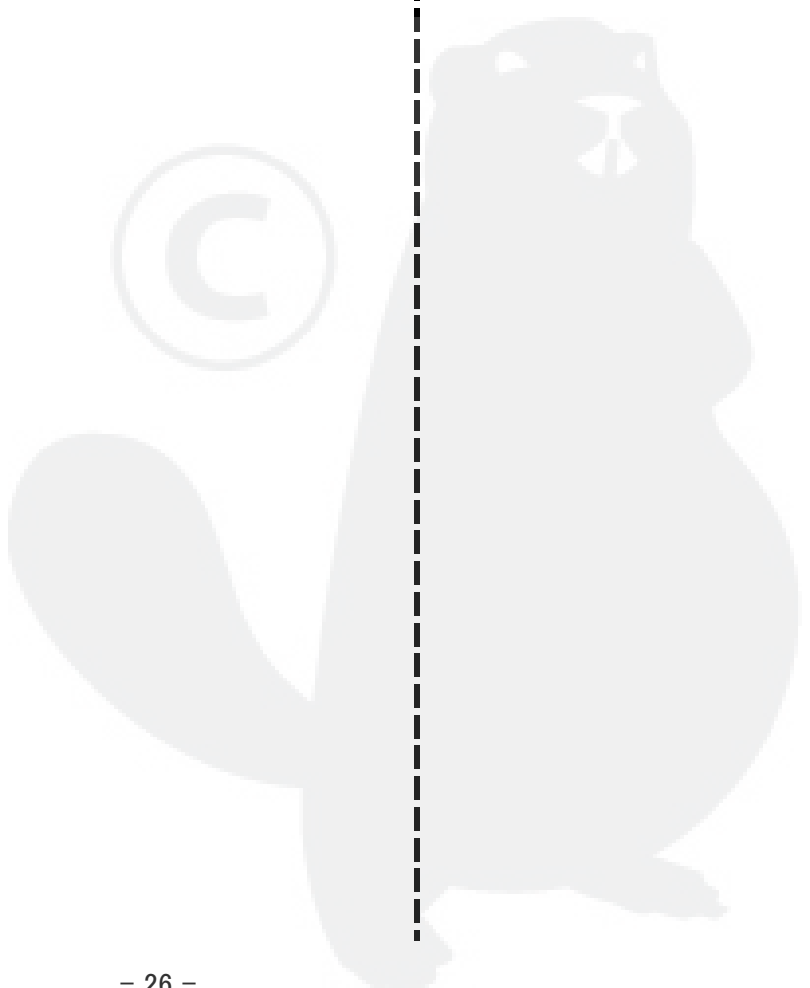
Patrs Number	Key No.	Patrs Number	Key No.	Patrs Number	Key No.
100000-09563	1 - 8	123138-03930	10 - 19	145876-42030	3 - 33
100011-09560	1 - 9	123139-03930	10 - 18	150112-44330	2 - 17
100012-51230	1 - 4	123140-03930	10 - 30	156626-52730	2 - 13
100013-11520	1 - 10	123141-03930	10 - 31	156801-09660	2 - 11
100014-11520	1 - 12	123142-03930	10 - 32	159010-10230	2 - 16
100015-04630	1 - 11	123142-09560	10 - 2	159011-03432	2 - 15
100100-44732	1 - 17	123146-10631	10 - 26	159012-01620	2 - 14
100132-22060	7 - 16	123149-26030	10 - 35	159012-10230	2 - 14
100204-52130	1 - 14	123171-35630	10 - 4	159016-05330	2 - 15
100204-52131	1 - 14	123172-26030	10 - 34	159912-44530	1 - 30
100204-52132	1 - 14	123173-07930	10 - 36	162010-52830	2 - 37
100212-42030	1 - 13	123181-09560	10 - 3	163400-49230	6 - 10
100212-42031	1 - 13	129011-06360	3 - 16	163401-55631	6 - 10
100215-03930	1 - 15	129011-06361	3 - 16	168218-22160	8 - 18
100242-42030	1 - 18	130010-05960	3 - 9	169920-22360	8 - 7
101010-44332	1 - 7	130010-42032	3 - 5	175000-56830	2 - 10
101011-08961	1 - 5	130017-42031	3 - 7	175005-42030	2 - 9
101511-44630	1 - 20	130110-12330	9 - 21	175014-39130	9 - 7
101514-44531	1 - 28	130307-06761	3 - 14	175014-39131	9 - 7
104293-22360	5 - 2	130310-54130	3 - 18	175053-04920	2 - 5
104910-22360	7 - 14	130313-05863	3 - 19	177200-42033	2 - 26
104910-22460	6 - 14	130406-22360	6 - 25	177202-44330	2 - 20
104940-22360	8 - 12	131004-08960	4 - 16	177202-44331	2 - 20
104940-22560	6 - 12	131004-55830	4 - 16	177215-44430	2 - 29
110076-22360	7 - 20	131005-46830	4 - 15	177218-44330	2 - 24
110076-22460	7 - 19	131005-46831	4 - 15	177220-42030	2 - 33
110076-22560	8 - 16	131016-55830	4 - 17	177226-10120	2 - 30
123000-52132	10 -	131045-28230	9 - 32	177227-42030	2 - 31
123000-52132	3 - 10	131051-19830	9 - 38	177228-06530	2 - 32
123000-52133	10 -	131051-52430	4 - 19	177234-42030	2 - 23
123000-52133	3 - 10	131205-07320	4 - 10	177236-44330	2 - 27
123110-43130	10 - 1	131300-56430	4 - 5	178001-51030	6 - 18
123112-09560	10 - 9	131312-39130	4 - 7	178010-22560	6 - 7
123113-52130	10 - 12	131314-06320	9 - 35	178016-22360	6 - 19
123114-38830	10 - 15	132010-13930	4 - 11	178020-22360	7 - 23
123116-53130	10 - 16	132010-56330	4 - 6	178043-22360	6 - 8
123117-52130	10 - 11	132013-09820	4 - 9	178043-22560	6 - 33
123120-52131	10 - 22	132115-01461	9 - 20	178043-22561	6 - 33
123122-39330	10 - 21	132115-46730	4 - 8	178043-22562	6 - 33
123123-03930	10 - 20	145510-42031	3 - 30	178090-22560	6 - 32
123124-43230	10 - 5	145631-42030	3 - 29	178129-22360	5 - 13
123125-09560	10 - 8	145800-52630	3 - 28	210417-52730	3 - 20
123126-10631	10 - 10	145800-52631	3 - 28	270217-22460	8 - 6
123127-15030	10 - 13	145800-52632	3 - 28	301000-22060	6 - 1
123127-15030	9 - 11	145800-52633	3 - 28	301016-52730	6 - 31
123130-02960	10 - 33	145818-52130	3 - 34	302810-22360	7 - 12
123133-04260	10 - 6	145862-40630	3 - 31	302812-22360	7 - 13
123134-04260	10 - 7	145866-42031	3 - 32	305110-42030	4 - 18
123137-19830	10 - 17	145871-44331	3 - 29	351100-22360	6 - 2

Index

Patrs Number	Key No.	Patrs Number	Key No.	Patrs Number	Key No.
351100-22361	6 - 2	610011-22460	5 - 14	895610-00130	9 - 45
351100-22362	6 - 2	610012-22360	6 - 21	895612-03430	5 - 17
351100-22560	6 - 2	610025-22360	9 - 23	895612-03430	9 - 45
351101-22360	6 - 4	610025-22361	9 - 23	898513-22360	7 - 27
351101-22560	6 - 4	610111-22360	5 - 9	898513-22360	9 - 43
351101-22561	6 - 4	610210-22460	5 - 4	899580-40930	5 - 16
351110-22560	6 - 3	610210-22461	5 - 4	899580-68730	5 - 16
351110-22561	6 - 3	610222-22360	6 - 24	899580-68730	9 - 44
351129-22360	6 - 3	610222-24660	6 - 24	900030-00200	7 - 11
400111-22360	5 - 6	610248-22360	6 - 15	900031-50100	6 - 51
430411-22360	7 - 1	610248-22361	6 - 15	900031-50100	6 - 61
430411-22360	9 - 42	610248-22362	6 - 15	900031-50100	6 - 30
431611-22360	7 - 2	610282-22360	6 - 29	900031-50100	7 - 6
431611-22360	9 - 41	610282-22460	6 - 28	900031-50100	7 - 6
433014-03931	9 - 49	610298-22360	5 - 15	900035-00200	7 - 26
433016-39131	9 - 48	610306-22360	7 - 10	900051-00100	6 - 26
433019-03933	9 - 3	610309-22360	7 - 5	900051-00100	7 - 22
433055-22360	7 - 21	610311-22061	9 - 29	900052-00200	8 - 10
433095-22360	8 - 20	610311-22360	7 - 17	900052-00300	8 - 5
433345-22361	5 - 3	610335-22460	5 - 1	900053-00200	7 - 7
433345-22460	5 - 11	610360-22360	7 - 18	900053-00300	6 - 6
433345-22560	5 - 12	610401-22360	7 - 9	900053-00300	7 - 8
433345-22660	6 - 11	610407-22460	7 - 3	900053-00400	6 - 5
436001-22060	8 - 3	610410-22360	7 - 9	900053-00400	6 - 5
436005-22360	8 - 2	610810-22360	6 - 13	900053-00400	6 - 5
436012-37830	9 - 37	610850-22560	6 - 34	900053-00400	6 - 16
436205-02832	9 - 19	699025-22360	8 - 11	900053-00400	6 - 27
436205-22360	8 - 8	707000-22360	8 - 13	900053-00400	7 - 4
437000-22360	8 - 1	880050-22360	6 - 22	900053-00500	6 - 6
437000-22460	8 - 21	889960-22660	6 - 9	900053-00500	6 - 16
437002-39130	9 - 10	890011-22360	5 - 7	900056-00200	7 - 25
437015-37330	9 - 15	890011-22460	5 - 5	900105-05055	3 - 36
437016-39130	9 - 17	890034-24660	1 - 27	900151-05025	1 - 21
437019-38330	9 - 12	890034-24661	1 - 27	900162-04022	2 - 12
437024-37330	9 - 13	890118-49130	2 - 36	900162-05022	1 - 6
437029-37330	9 - 16	890118-49130	9 - 4	900162-05025	1 - 21
437041-22360	8 - 17	890121-52730	3 - 22	900162-05028	1 - 19
437062-37330	9 - 14	890160-22660	5 - 8	900163-04016	1 - 24
437063-38330	9 - 27	890332-52730	3 - 22	900163-04016	1 - 31
437068-22360	8 - 14	890334-52730	3 - 21	900163-04016	2 - 35
437122-22060	8 - 4	890335-52730	3 - 21	900238-04010	3 - 35
437122-22360	8 - 15	895112-00330	5 - 19	900238-04012	1 - 26
437243-22360	8 - 9	895112-00330	9 - 47	900238-05016	4 - 12
437244-39130	9 - 9	895410-39130	5 - 18	900238-05020	3 - 8
437605-22360	7 - 24	895410-39130	9 - 46	900242-05065	3 - 17
437605-22360	8 - 19	895410-39131	9 - 46	900253-05016	1 - 29
610006-22060	6 - 20	895415-22160	5 - 18	900500-00005	3 - 6
610011-22060	6 - 23	895415-22260	5 - 19	900502-00006	6 - 17
610011-22061	6 - 23	895610-00130	5 - 17	900600-00005	1 - 23

Index

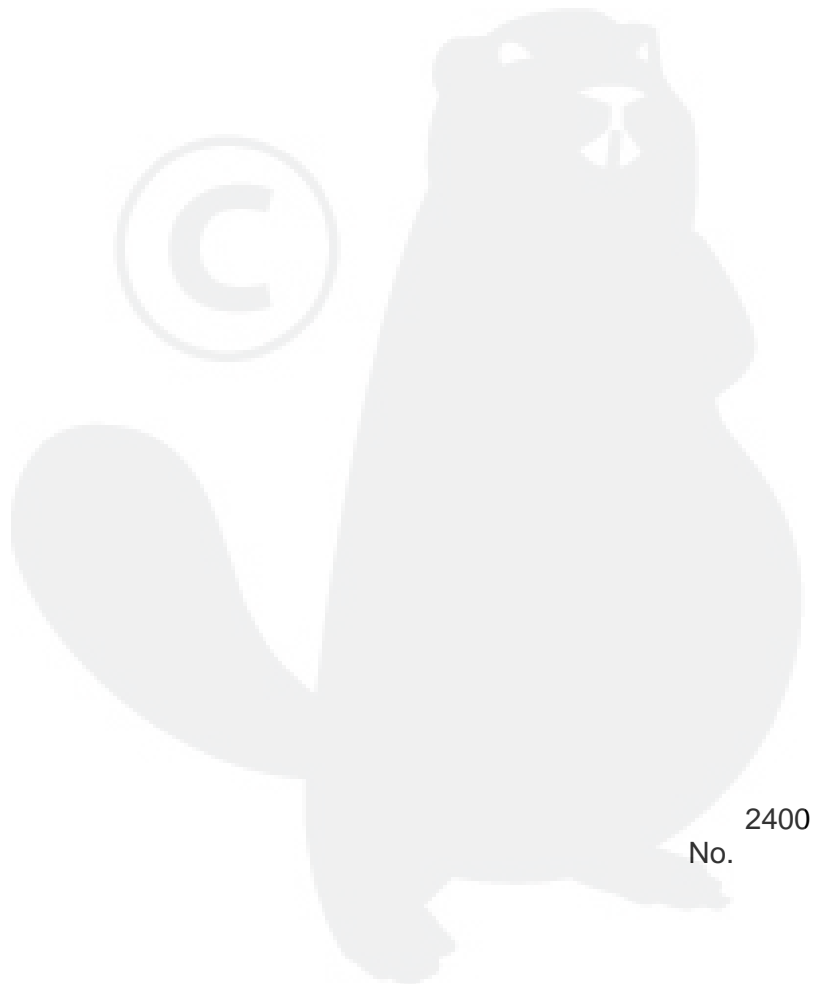
Patrs Number	Key No.	Patrs Number	Key No.	Patrs Number	Key No.
900600-00005	3 - 37	V471-001190	4 - 11		
900603-00005	4 - 14	V471-001200	4 - 7		
900603-00005	6 - 37	V553-000010	1 - 4		
900605-00005	1 - 22	V583-000010	9 - 6		
900701-00012	2 - 6	V620-000000	6 - 22		
900702-00032	2 - 8	V645-000000	6 - 22		
900706-00012	9 - 24	V651-000041	9 - 26		
900802-06001	7 - 15	V651-000042	9 - 26		
900802-06002	5 - 10	X490-000050	7 - 27		
900810-36201	1 - 16	X490-000050	9 - 43		
900814-06201	2 - 7				
94035-36201	1 - 16				
94042-06001	7 - 15				
94042-06001	9 - 25				
A011-000100	1 - 17				
A011-000101	1 - 17				
A320-000250	3 - 29				
A320-000251	3 - 29				
A356-000030	4 - 5				
A365-000050	9 - 38				
C200-000000	9 - 31				
C300-000000	9 - 5				
C300-000001	9 - 5				
C410-000090	6 - 4				
C450-000090	6 - 7				
C510-000050	6 - 15				
C510-000120	6 - 15				
C525-000000	6 - 13				
C531-000030	9 - 2				
C531-000040	9 - 39				
C534-000020	9 - 28				
C580-000070	9 - 8				
P021-000950	9 - 36				
P021-000951	9 - 36				
P021-002861	5 - 16				
P021-002861	9 - 44				
P021-003530	6 - 50				
P021-003531	6 - 50				
P021-003540	6 - 60				
V104-000160	3 - 30				
V137-000030	4 - 8				
V204-000090	6 - 26				
V224-000000	9 - 40				
V253-000000	9 - 1				
V253-000010	9 - 18				
V253-000020	9 - 34				
V253-000030	9 - 33				
V354-000010	9 - 30				
V470-000180	9 - 22				



YAMABIKO CORPORATION

7-2 SUEHIROCHO 1-CHOME, OHME, TOKYO 198-8760, JAPAN
PHONE: 81-428-32-6118. FAX: 81-428-32-6145.

ECHO[®]



2400
No.