



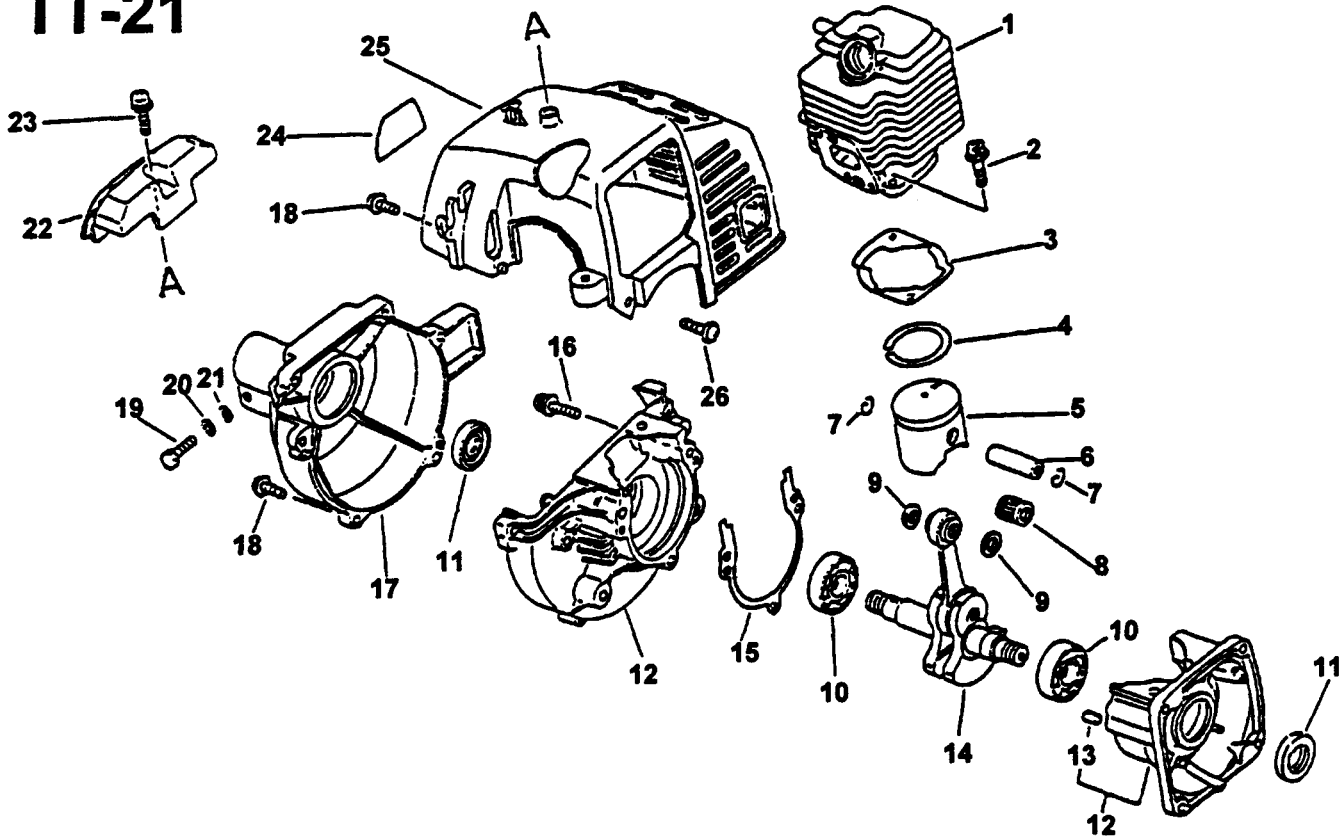
**ENGINE
PARTS CATALOG
MODEL TT-21
SERIAL NUMBER 001001 & UP**

**ECHO, INCORPORATED
400 OAKWOOD ROAD
LAKE ZURICH, IL 60047**

**99922202373
07/96**

ENGINE, EXTERNAL/ INTERNAL/ CRANKCASE/ FAN HOUSING COVER

TT-21

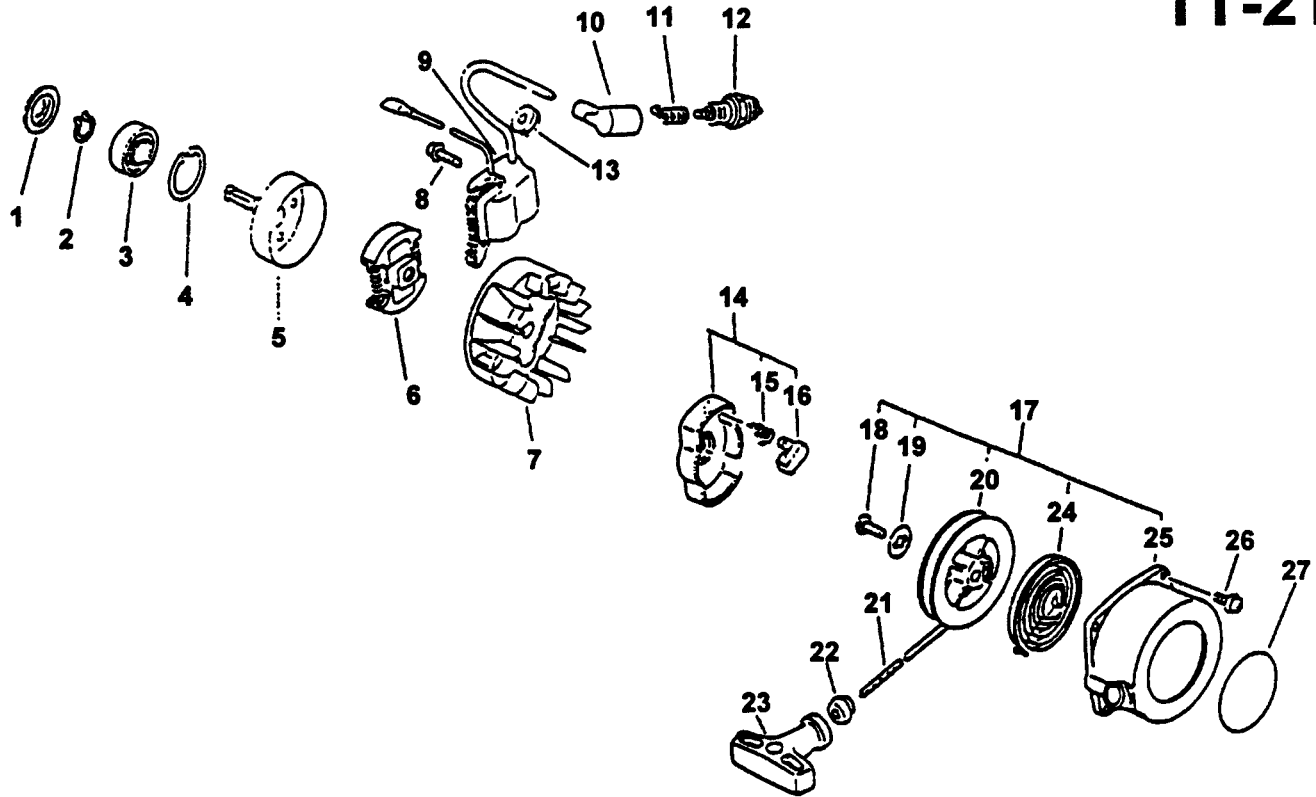


KEY	PART NUMBER	QTY	DESCRIPTION	REMARKS
1	101011 45230	1	CYLINDER	
2	900162 05022	2	BOLT, H.S. 5X22	
3	101010 44332	1	GASKET, CYLINDER BASE	INCLUDED IN KIT 88900044431(PG 5)
4	100011 44330	1	RING, PISTON	
5	100010 44430	1	PISTON	
6	100013 11520	1	PIN, PISTON	
7	100015 04630	2	CIRCLIP, PISTON PIN	
8	100012 51230	1	BEARING, NEEDLE	
9	100014 11520	1	SPACER, PISTON PIN	
10	900810 36201	2	BEARING, BALL 6201	
11	100212 42030	2	OILSEAL	
12	100204 51030	1	CRANKCASE SET	INCLUDES ITEM 10 - 13, 15 & 16
13	100215 03930	2	PIN, DOWEL	
14	100100 44331	1	CRANKSHAFT ASY	INCLUDES ITEM 8
15		1	GASKET, CRANKCASE	INCLUDED IN KIT 88900044431 (PG 5)
16	900162 05028	3	BOLT 5X28	
17	101511 44630	1	COVER, FAN	
18	900162 04016	6	BOLT 4X16	
19	900151 05025	1	BOLT 5X25	
20	900605 00005	1	WASHER, SPRING 5	
21	900600 00005	1	WASHER 5	
22	159912 44530	1	GUARD, TOP	
23	900253 05016	1	SCREW 5X16	
24	890140 44530	1	LABEL, MODEL	
25	101514 44530	1	COVER, CYLINDER	
26	900162 04012	2	BOLT 4X12	
SB1000		1	SHORT BLOCK	INCLUDES FACTORY ASSEMBLED CYLINDER, CRANKCASE, PISTON, CRANKSHAFT, BEARINGS & SEALS

REVISED 07/96

STARTER/ IGNITION/ CLUTH

TT-21

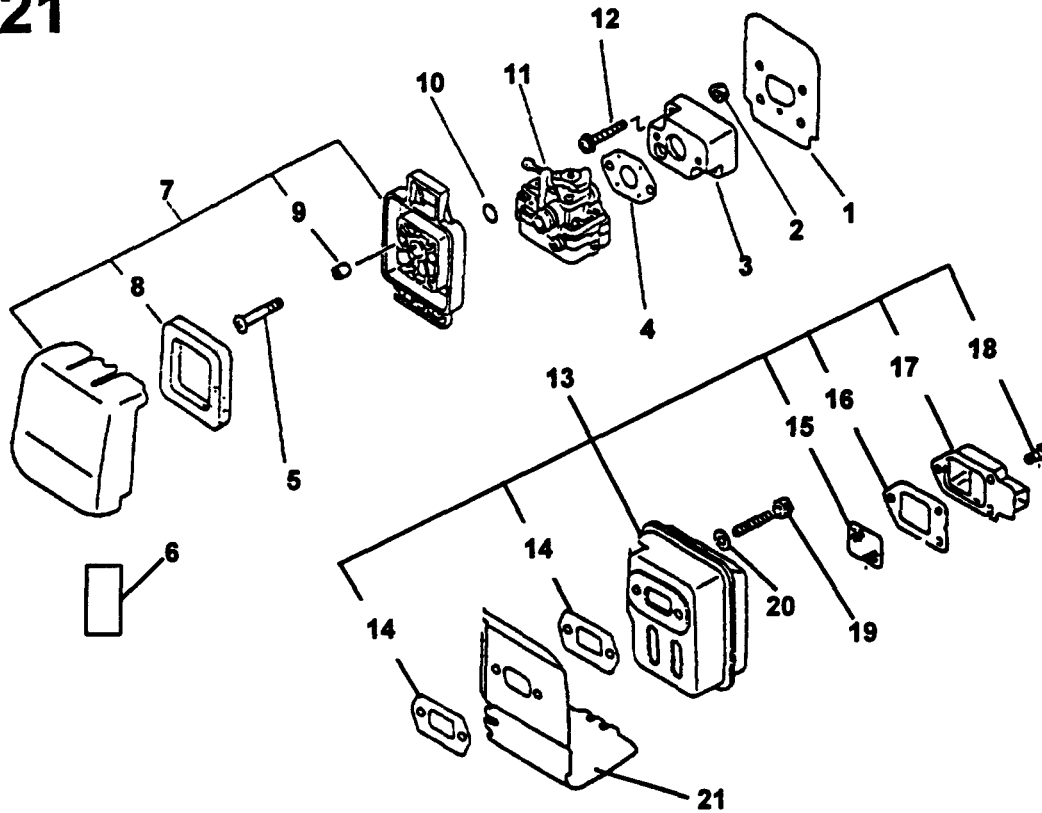


KEY	PART NUMBER	QTY	DESCRIPTION	REMARKS
1	175053 04920	1	STOPPER	
2	900701 00012	1	CIRCLIP 12	
3	900814 06201	1	BEARING, BALL 6201	
4	900702 00032	1	CIRCLIP 32	
5	175005 42030	1	DRUM, CLUTCH	
6	175000 49030	1	CLUTCH ASY	
7	150801 44330	1	FLYWHEEL	
8	900162 04022	2	BOLT 4X22	
9	150601 42030	1	C.D. IGNITION MODULE	
10	159012 01620	1	CAP, SPARK PLUG	
11	159011 03432	1	COIL, SPARK PLUG CAP	
12	159010 10630	1	PLUG, SPARK BPM-7A	
13	150112 44330	1	GROMMET, H.T. CORD	
14	177202 44330	1	PAWL ASY, STARTER	INCLUDES ITEMS 15 & 16
15	177234 42030	1	SPRING, RETURN	
16	177218 44330	1	PAWL, STARTER	
17	177200 42033	1	STARTER ASY	INCLUDES ITEMS 18 - 25
18	177236 40630	1	SCREW	
19	177214 42030	1	WASHER	
20	177215 44430	1	DRUM, STARTER	
21	177226 05530	1	ROPE, STARTER	USE BULK ROPE 99944400040 DIA. 3 MM (.12") X 1000 MM (39.4")
22	177227 42030	1	GUIDE, ROPE	
23	177228 06530	1	GRIP, STARTER	
24	177220 42030	1	SPRING, REWIND	
25	177232 42032	1	CASE, STARTER	
26	900162 04016	2	BOLT 4X16	
27	890115 44530	1	LABEL, BRAND	

REVISED 07/96

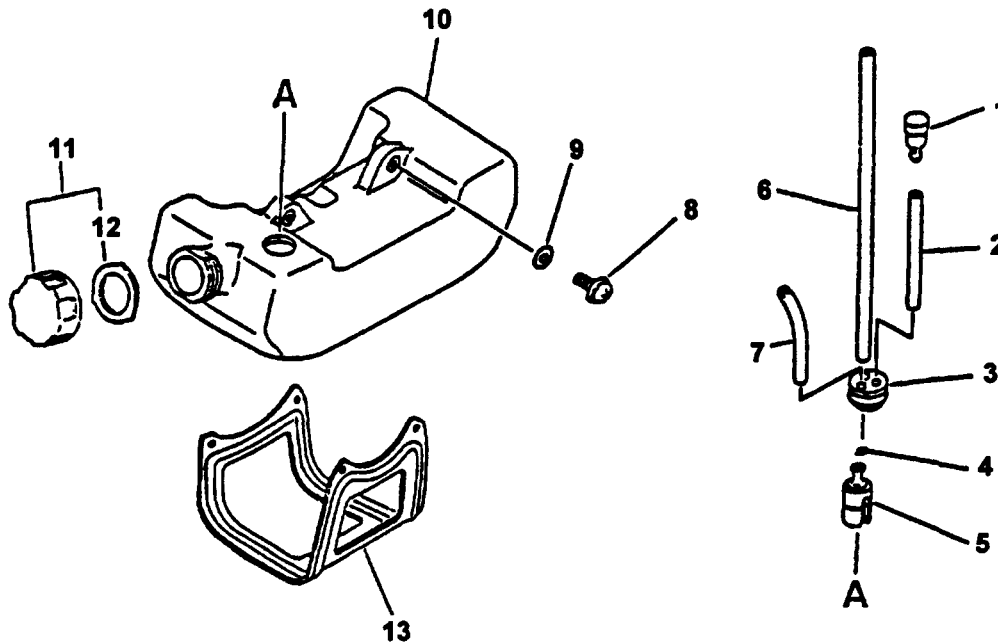
INTAKE/ AIR CLEANER/ EXHAUST

TT-21



KEY	PART NUMBER	QTY	DESCRIPTION	REMARKS
1	130010 42032	1	GASKET, INTAKE	INCLUDED IN KIT 88900044431 (PG 5)
2	900500 00005	2	NUT 5	
3	130017 44330	1	INSULATOR	
4	130010 44431	1	GASKET, INTAKE	INCLUDED IN KIT 88900044431 (PG 5)
5	900242 05064	2	SCREW 5X64	
6	890121 06360	1	LABEL, CHOKE	
7	130300 06460	1	CLEANER ASY, AIR	INCLUDES ITEMS 8 & 9
8	130310 44330	1	FILTER, AIR	
9	130327 44330	1	SLEEVE	
10	900720 00015	1	O-RING 15	
11	123000 45130	1	CARBURETOR WYL-6	FOR S/N 001001 THRU 004000
11	123000 48730	1	CARBURETOR WYL-10	FOR S/N 004001 & UP
12	900238 05022	2	SCREW 5X22	
13	145800 42031	1	MUFFLER	INCLUDES ITEMS 14 - 18
14	145510 42031	2	GASKET, MUFFLER	INCLUDED IN KIT 88900044431 (PG 5)
15	145862 40630	1	SCREEN, MUFFLER	
16	145866 42031	1	GASKET, MUFFLER LID	INCLUDED IN KIT 88900044431 (PG 5)
17	145809 42030	1	HOLDER, SCREEN	
18	900238 04010	3	SCREW 4X10	
19	900105 05055	2	BOLT, H.S. 5X55	
20	900600 00005	2	WASHER 5	
21	145871 44331	1	COVER, MUFFLER	

REVISED 07/96



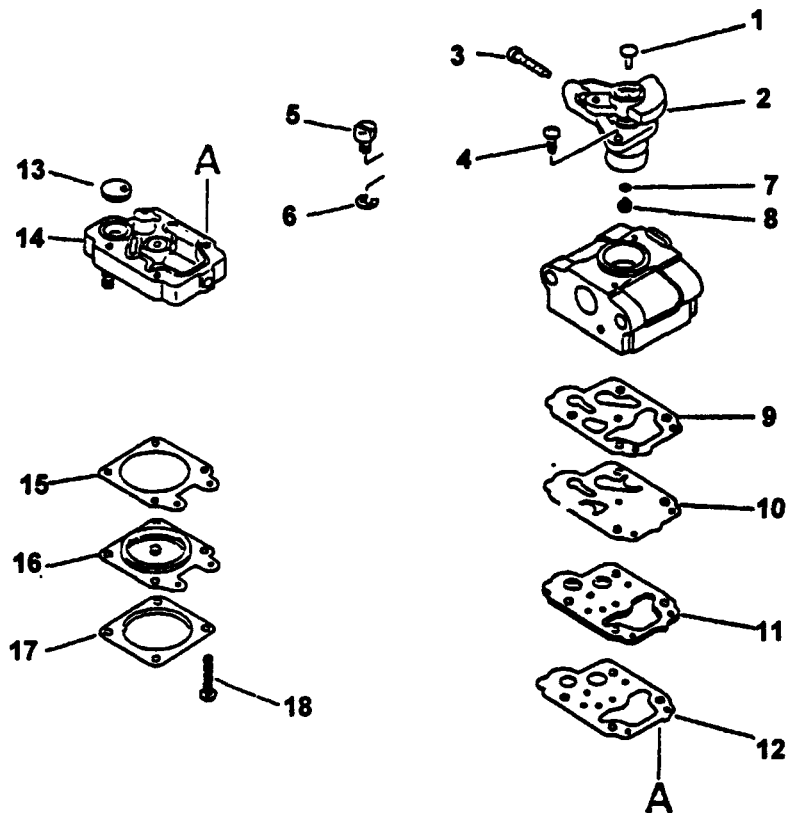
KEY	PART NUMBER	QTY	DESCRIPTION	REMARKS
1	131300 40630	1	VENT ASY	
2	131312 44330	1	PIPE 3X5X70	
3	132115 44330	1	GROMMET, FUEL	S/N 001001 THRU 004000
3	132115 46730	1	GROMMET, FUEL	S/N 004001 & UP
4	132013 09820	1	CLIP	
5	131205 14930	1	STRAINER, FUEL	
6	132010 13930	1	PIPE, FUEL	
7	132012 46730	1	PIPE	S/N 004001 & UP
8	900238 05016	2	SCREW 5X16	
9	900603 00005	2	WASHER 5	
10	131005 44431	1	TANK, FUEL	
11	131004 53530	1	CAP ASY, FUEL TANK	INCLUDES ITEM 12
12	131016 55830	1	GASKET, FUEL TANK CAP	
13	305110 42030	1	STAND	
	889000 44431	1	GASKET KIT	INCLUDES THE FOLLOWING
		1	GASKET, CRANKCASE	
	101010 44332	1	GASKET, CYLINDER BASE	
	130010 42032	1	GASKET	
	130010 44431	1	GASKET, CARBURETOR	
	145510 42031	2	GASKET, MUFFLER	
	145866 42031	1	GASKET, MUFFLER LID	
	900720 00015	1	O-RING 15	

REVISED 07/96

CARBURETOR

TT-21

S/N 001001 - 004000

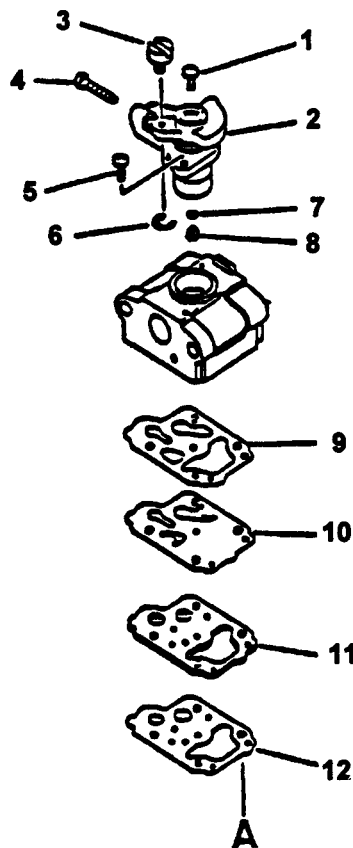
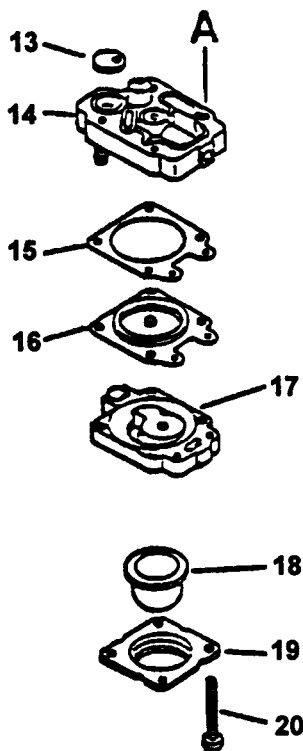


KEY	PART NUMBER	QTY	DESCRIPTION	REMARKS
	123000 45130	1	CARBURETOR WLY-6	INCLUDES THE FOLLOWING
1	123146 44330	1	PLUG	
2	123116 45130	1	VALVE, THROTTLE	
3	123134 40030	1	SCREW, IDLE ADJUST	
4	123114 44330	2	SCREW	
5	123172 45130	1	SWIVEL	
6	123173 07930	1	RING	
7	A B	1	O-RING	
8	A	1	JET (37)	
9	A B	1	GASKET, FUEL PUMP	
10	A B	1	DIAPHRAGM, FUEL PUMP	
11	123160 40630	1	PLATE, PUMP	
12	A B	1	GASKET, PLATE	
13	A	1	SCREEN, INLET	
14	A	1	BODY ASY, PUMP	
15	A B	1	GASKET, METERING DIAPHRAGM	
16	A B	1	DIAPHRAGM, METERING	
17	123142 03930	1	COVER, METERING DIAPHRAGM	
18	123144 44330	4	SCREW	
(A)	123100 44430		CARBURETOR REPAIR KIT	
(B)	123101 44430		DIAPHRAGM/GASKET KIT	

REVISED 07/96

CARBURETOR

TT-21
S/N 004001 & UP



KEY	PART NUMBER	QTY	DESCRIPTION	REMARKS
	123000 48730	1	CARBURETOR WLY-10	INCLUDES THE FOLLOWING
1	123146 44330	1	PLUG	
2	123116 45130	1	VALVE, THROTTLE	
3	123172 45130	1	SWIVEL	
4	123134 40030	1	SCREW, IDLE ADJUST	
5	123114 44330	2	SCREW, COLLAR THROTTLE	
6	123173 07930	1	CLIP	
7	A B	1	O-RING	
8	A	1	JET	
9	A B	1	GASKET, FUEL PUMP	
10	A B	1	DIAPHRAGM, FUEL PUMP	
11	123160 40630	1	PLATE, PUMP	
12	A B	1	GASKET, PLATE	
13	A	1	SCREEN, INLET	
14	A	1	BODY ASY, PUMP	
15	A B	1	GASKET, METERING DIAPHRAGM	
16	A B	1	DIAPHRAGM, METERING	
17	123180 46130	1	BODY ASY, AIR PURGE	
18	123181 40630	1	PURGE, PUMP	
19	123142 02960	1	COVER, PURGE PUMP	
20	123110 40630	4	SCREW, PURGE PUMP COVER	
(A)	123100 44430	1	CARBURETOR REPAIR KIT	
(B)	123101 44430	1	DIAPHRAGM/GASKET KIT	

REVISED 07/96