



**POWER PRUNER
PARTS CATALOG
MODEL PP-1260**

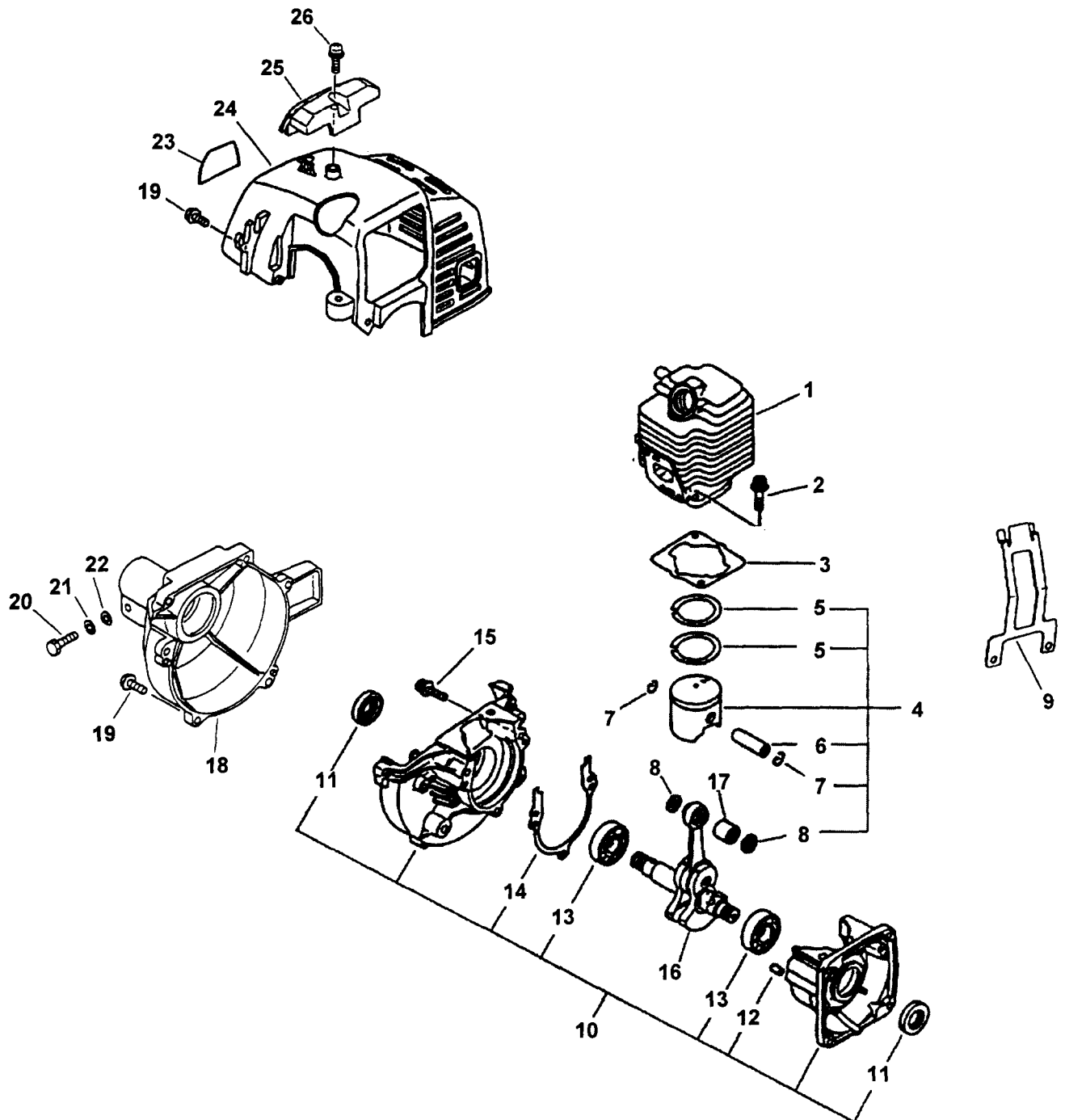
SERIAL NUMBER 001001 & UP

MODEL PP-1260 TYPE 1E

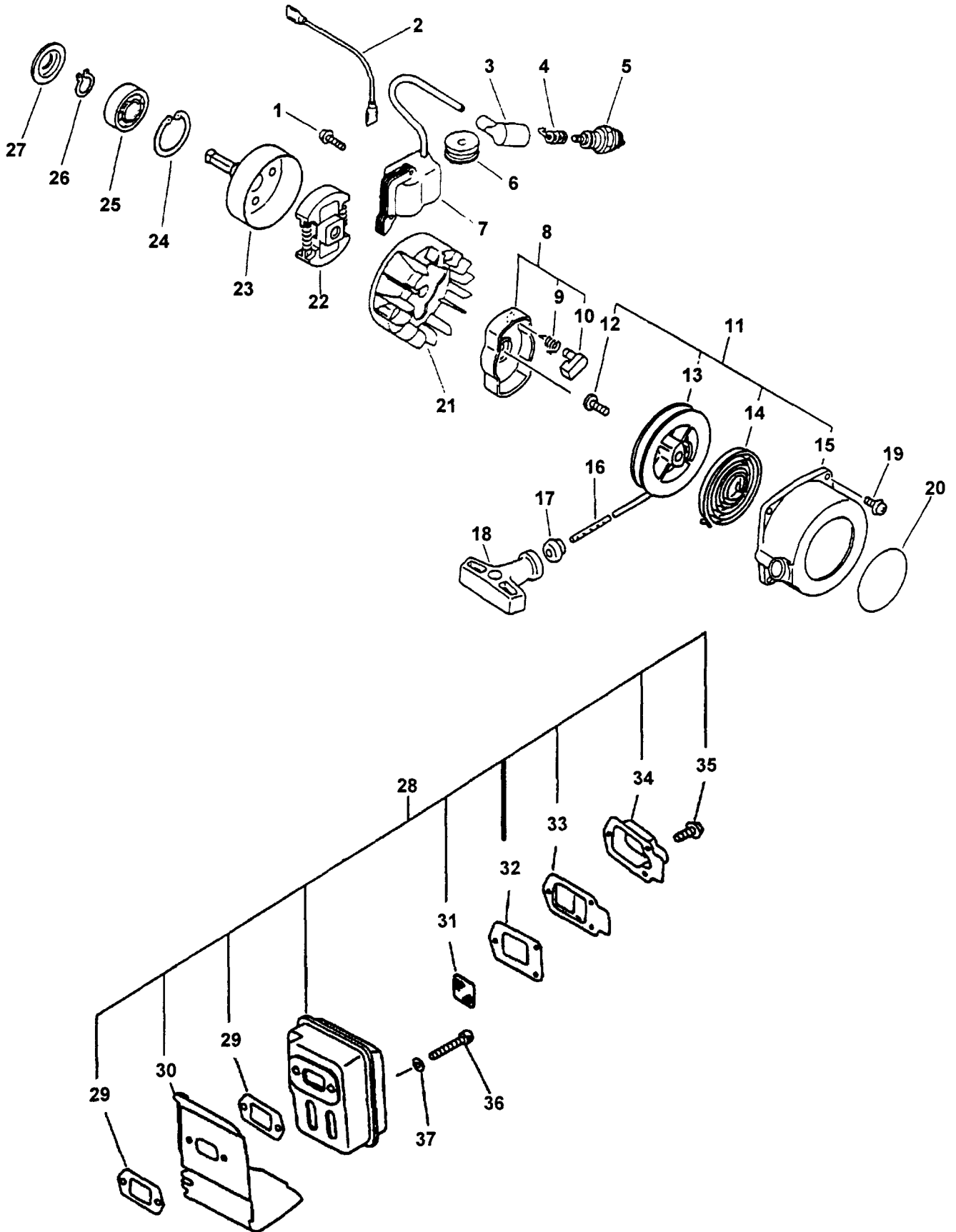
SERIAL NUMBER 001001 & UP

**ECHO, INCORPORATED
400 OAKWOOD ROAD
LAKE ZURICH, IL 60047**

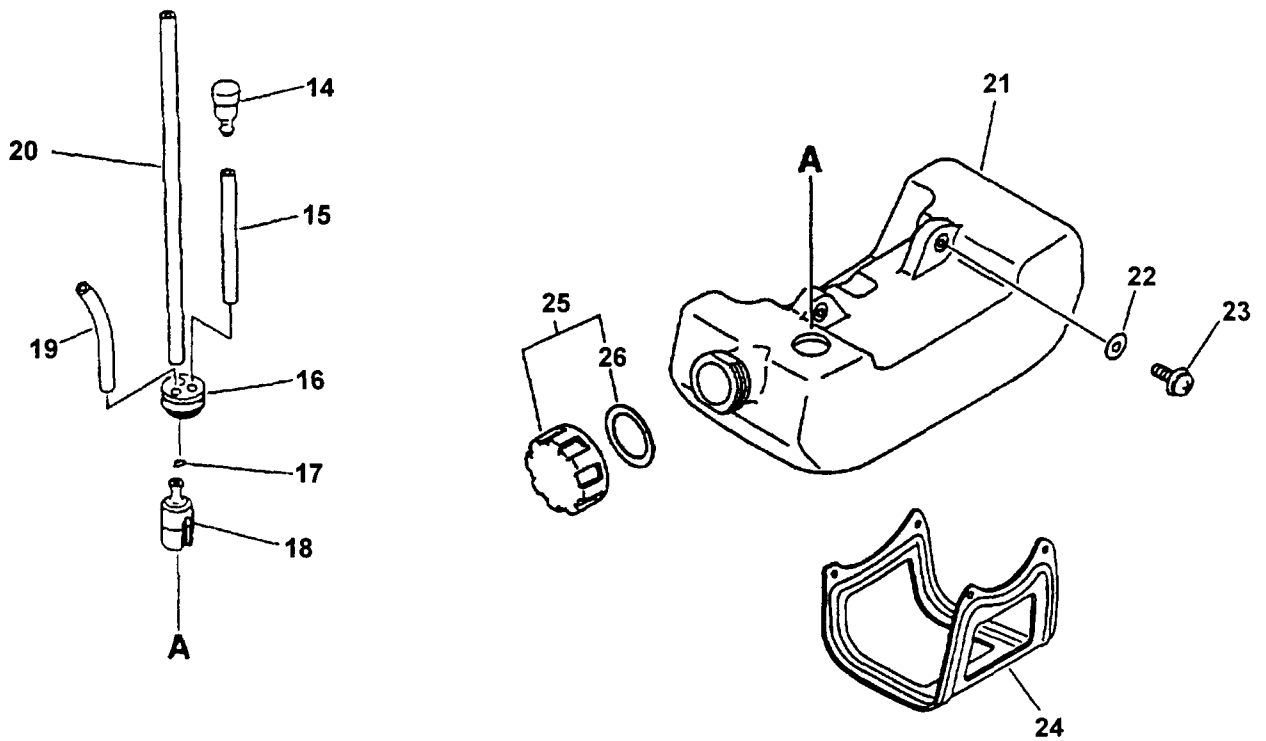
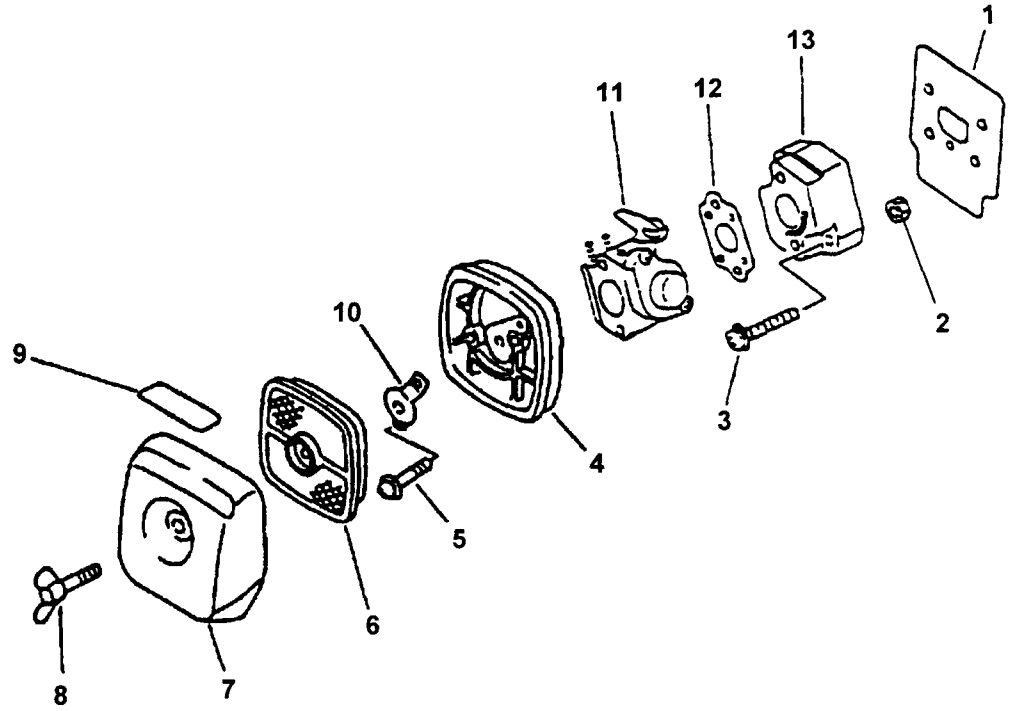
**99922202903
08/97**



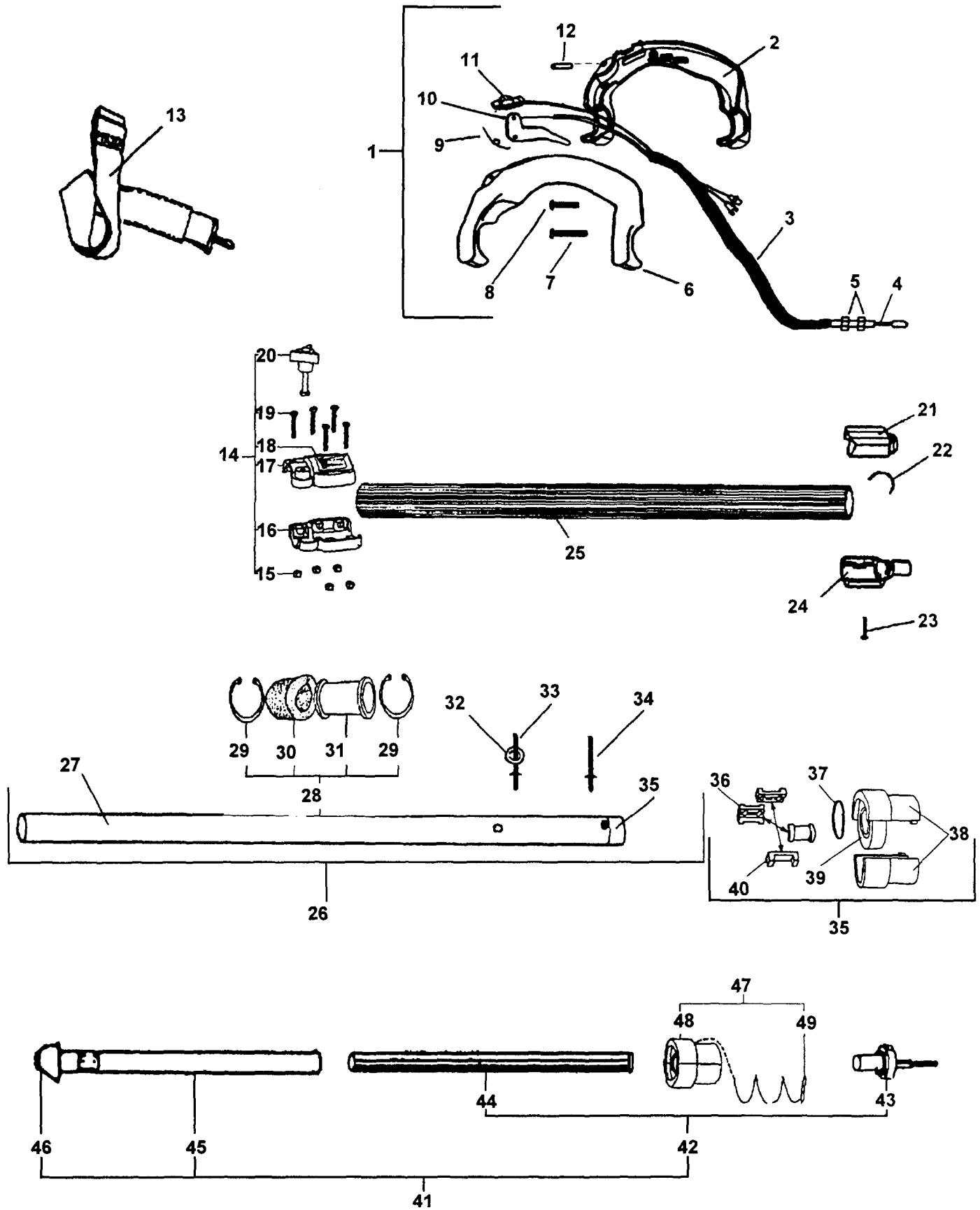
KEY	PART NUMBER	QTY	DESCRIPTION	REMARKS
1	10101108960	1	CYLINDER	
2	90016205022	2	BOLT, H S 5X22	
3	10101044332	1	GASKET, CYLINDER BASE	INCLUDED IN KIT 88900005960
4	10000009562	1	PISTON KIT	INCLUDES ITEMS 5 - 8
5	10001109560	2	RING, PISTON	
6	10001311520	1	PIN, PISTON	
7	10001504630	2	CIRCLIP, PISTON PIN	
8	10001411520	2	SPACER, PISTON PIN	
9	10158746730	1	GUARD, ENGINE	
10	10020452130	1	CRANKCASE ASY	INCLUDES ITEMS 11 - 15
11	10021242030	2	OILSEAL	
12	10021503930	2	PIN, DOWEL	
13	90081036201	2	BEARING, BALL 6201	
14	-----	1	GASKET, CRANKCASE	INCLUDED IN KIT 88900005960
15	90016205028	3	BOLT 5X28	
16	10010044732	1	CRANKSHAFT ASY	INCLUDES ITEM 17
17	10001251230	1	BEARING, NEEDLE	
18	10151144630	1	COVER, FAN BLACK	
19	90016204016	4	BOLT 4X16	
20	90015105025	1	BOLT 5X25	
21	90060500005	1	WASHER, SPRING 5	
22	90060000005	1	WASHER 5	
23	89014044530	1	LABEL, MODEL	
24	10151444530	1	COVER, CYLINDER	
25	15991244530	1	GUARD, TOP	
26	90025305016	1	SCREW 5X16	
	SB1027	1	SHORT BLOCK	INCLUDES FACTORY ASSEMBLED CYLINDER, CRANKCASE, PISTON, CRANKSHAFT, BEARINGS & SEALS
	88900005960	1	GASKET KIT	INCLUDES THE FOLLOWING ITEMS
	10101044332	1	GASKET, CYLINDER BASE	
	14586642031	1	GASKET, MUFFLER LID	
	14551042031	2	GASKET, MUFFLER	
	-----	1	GASKET, CRANKCASE	
	13001042032	1	GASKET, INTAKE	
	13001642031	1	GASKET, INTAKE	
	13001005960	1	GASKET, INTAKE	
	61041401260	1	GASKET, GEAR HOUSING	



KEY	PART NUMBER	QTY	DESCRIPTION	REMARKS
1	90016204022	2	BOLT 4X22	
2	16201052830	1	LEAD 16202103110	
3	15901201620	1	CAP, SPARK PLUG	
4	15901103432	1	COIL, SPARK PLUG CAP	
5	99944500071	1	PLUG, SPARK BPM-7Y	
6	15011244330	1	GROMMET, H.T. CORD	
7	15660152130	1	MODULE, CDI W/O LEAD	
8	17720244330	1	PAWL ASY, STARTER	INCLUDES ITEMS 9 & 10
9	17723442030	1	SPRING, RETURN	
10	17721844330	1	PAWL, STARTER	
11	17720042033	1	STARTER ASY	INCLUDES ITEMS 12 - 18
12	17723644330	1	SCREW	
13	17721544430	1	DRUM, STARTER	
14	17722042030	1	SPRING, REWIND	
15	17723242032	1	HOUSING, STARTER	
16	-----	1	ROPE, STARTER	USE BULK ROPE 999444 00040 DIA. 3.0 MM (12") X 1000 MM (39 4")
17	17722742030	1	GUIDE, ROPE	
18	17722806530	1	GRIP, STARTER	
19	90016204016	4	BOLT 4X16	
20	89011544530	1	LABEL, BRAND	
21	15680144731	1	FLYWHEEL	
22	17500049030	1	CLUTCH ASY	
23	17500542030	1	DRUM, CLUTCH	
24	90070200032	1	CIRCLIP 32	
25	90081406201	1	BEARING, BALL 6201	
26	90070100012	1	CIRCLIP 12	
27	17505304920	1	STOPPER	
28	14580052630	1	MUFFLER ASY	INCLUDES ITEMS 29 - 37
29	14551042031	2	GASKET, MUFFLER	INCLUDED IN KIT 88900005960
30	14587144331	1	COVER, MUFFLER	
31	14586240630	1	SCREEN, MUFFLER	
32	14586642031	1	GASKET, MUFFLER LID	INCLUDED IN KIT 88900005960
33	14587642030	1	HOLDER, SCREEN	
34	14581852130	1	FIXTURE, SCREEN	
35	90023804010	3	SCREW 4X10	
36	90010505055	2	BOLT H.S 5X55	
37	90060000005	2	WASHER 5	



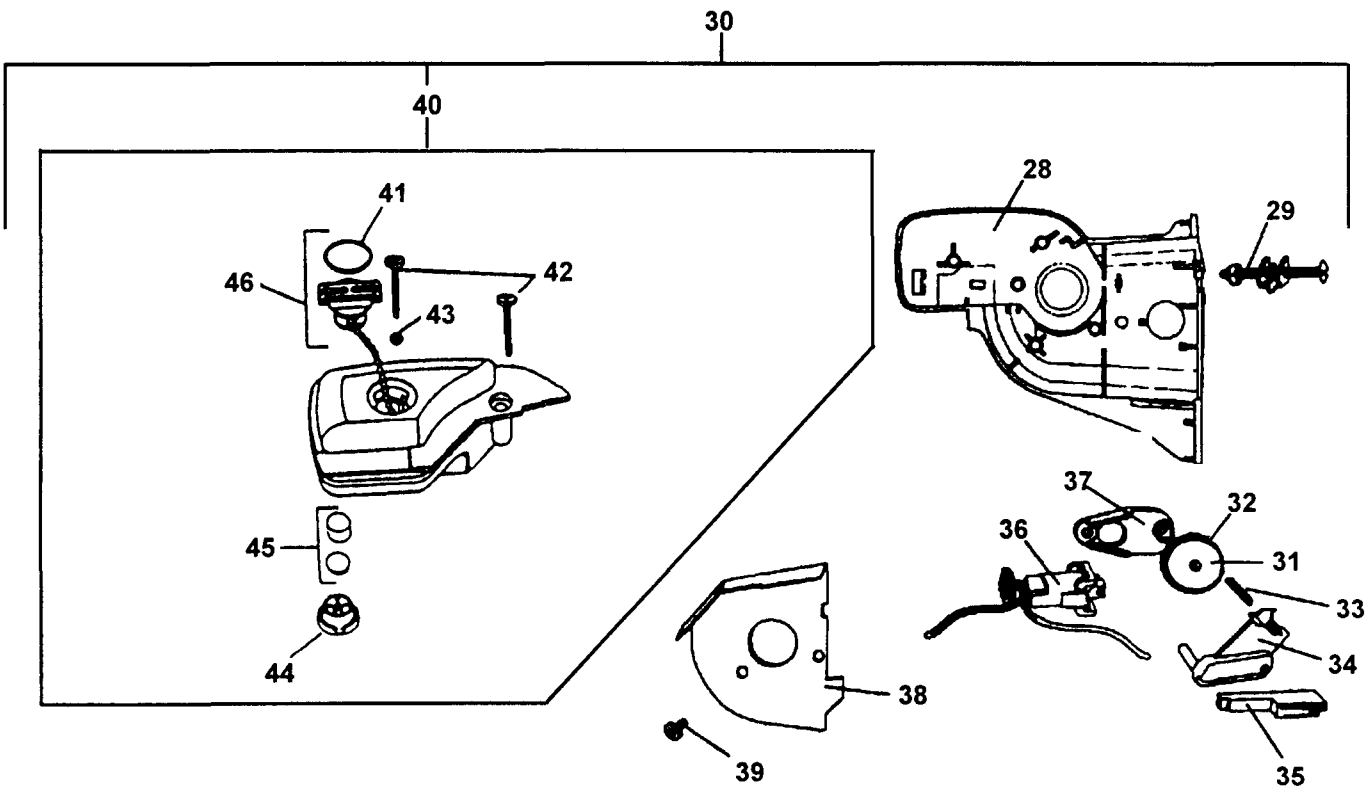
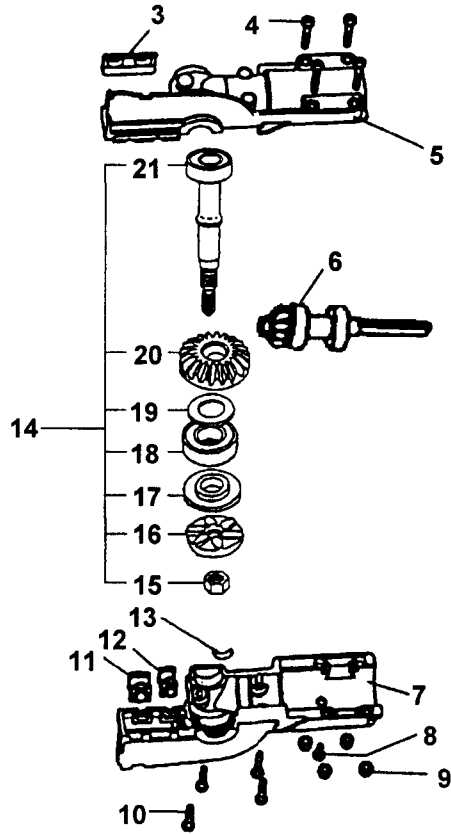
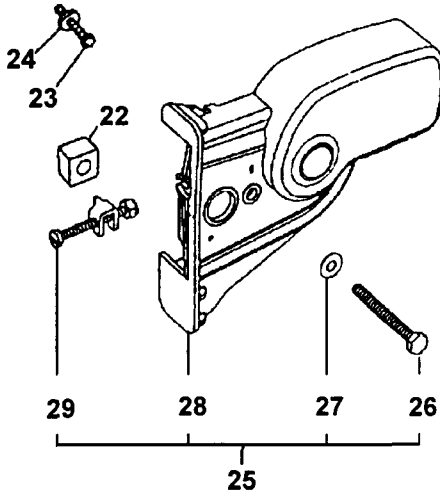
KEY	PART NUMBER	QTY	DESCRIPTION	REMARKS
1	13001042032	1	GASKET, INTAKE	INCLUDED IN KIT 88900005960
2	90050000005	2	NUT 5MM	
3	90023805020	2	SCREW 5X20	
4	13030706761	1	CASE, AIR CLEANER	
5	90024205065	2	SCREW 5X65	
6	13031054130	1	FILTER, AIR H D	INCLUDED IN KIT 90008
7	13031305863	1	COVER, AIR CLEANER	
8	21041752730	1	BOLT, WING	
9	89012152730	1	LABEL, CHOKE	
10	12901106360	1	PLATE, PREVENT	
11	12300052131	1	CARBURETOR WT-424A	
12	13001005960	1	GASKET, INTAKE	INCLUDED IN KIT 88900005960
13	13001742031	1	INSULATOR	
14	13130056430	1	VALVE, CHECK	INCLUDED IN KIT 90010
15	13131239130	1	PIPE, VENT 3X5X70	
16	13211546730	1	GROMMET, FUEL	
17	13201309820	1	CLIP	
18	13120507320	1	STRAINER, FUEL	INCLUDED IN KIT 90008
19	13201056330	1	PIPE, RETURN	
20	13201013930	1	PIPE, FUEL	
21	13100546830	1	TANK, FUEL	
22	90060300005	2	WASHER 5MM	
23	90023805016	2	SCREW 5X16	
24	30511042030	1	STAND	
25	13100453530	1	CAP ASY, FUEL TANK	INCLUDES ITEM 26 INCLUDED IN KIT 90010
26	13101655830	1	GASKET, FUEL TANK CAP	



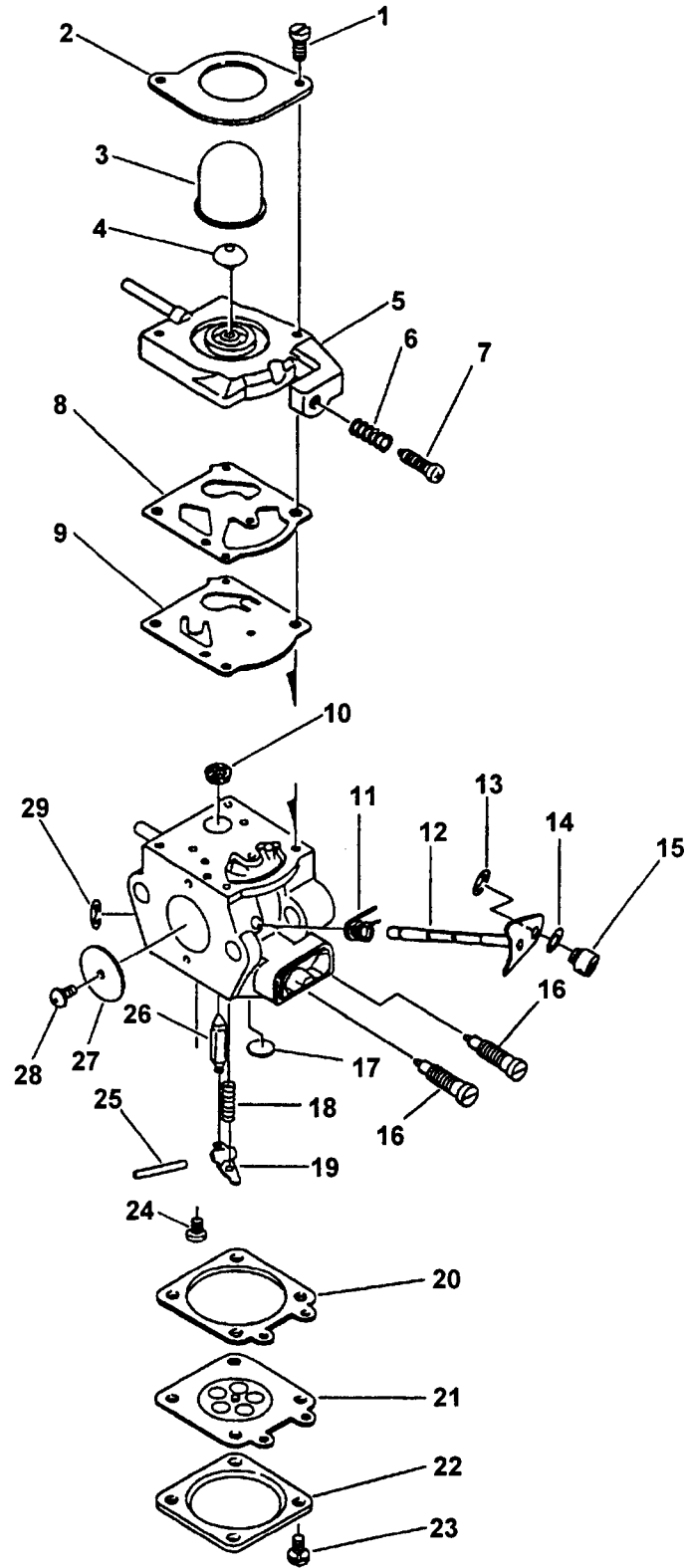
DRIVE SHAFT, HANDLE, HARNESS

PP-1260

KEY	PART NUMBER	QTY	DESCRIPTION	TTC #	REMARKS
	61020622460	1	SHAFT ASY COMP. W/O ENGINE	2160	INCLUDES ITEMS 1 - 46
	61060922460	1	DRIVE SHAFT/HOUSING ASY	2060	INCLUDES ITEMS 21 - 46
1	35150122560	1	HANDLE ASY, REAR	3002	INCLUDES ITEMS 2 - 12
2	35112922360	1	HANDLE, R.H.	170	
3	17801622360	1	TUBE, CONVOLUTED	190	
4	17810022060	1	CABLE, ASY THROTTLE	19.2	INCLUDES ITEM 5
5	90050200006	2	NUT 6	21.11	
6	35110122360	1	HANDLE, L.H.	17	
7	90005300400	4	SCREW, TORX	45140	
8	90005300300	2	SCREW, TORX	45130	
9	17804322360	1	SPRING, THROTTLE CONTROL	180	
10	17801005631	1	CONTROL, THROTTLE	18	
11	16340046830	1	SWITCH, IGNITION	20	
12	88996022660	1	PIN, STRAIGHT	21.13	
13	30100022060	1	STRAP ASY, SHOULDER	23	
14	61029522360	1	CLAMP ASY, COMPRESSION	4000	INCLUDES ITEMS 15 - 20
15	90003150100	5	NUT, LOCKING	45170	
16	61028222360	1	CLAMP, COMP. BOTT,	20130	
17	61028222460	1	CLAMP, COMP. TOP,	20013	
18	89016022360	1	LABEL, CAUTION	21000	
19	90005300400	5	SCREW, TORX	45140	
20	13040622360	1	KNOB, FASTENER	131	
21	61081022360	1	ADAPTER CAP, LOW HSNG.	160	
22	10491022460	1	O-RING (HALF)	167	
23	90005300400	4	SCREW, TORX	45140	
24	61024822360	1	ADAPTER, LOW HSNG.	16.2	
25	61022222360	1	HOUSING, MAIN PIPE	12	
26	61029922460	1	HOUSING ASY, UPPER	5160	INCLUDES ITEMS 27 - 40
27	61021022460	1	HOUSING, UPPER	24111	
28	43330722360	1	GUIDE ASY, DRIVE SHAFT	5110	INCLUDES ITEMS 29 - 31
29	61033522360	2	RING, RETAINING	137	
30	10429222360	1	FOAM STRIP	136	
31	43334522360	1	GUIDE, DRIVE SHAFT	135	
32	40011122360	1	WASHER, FLAT 5	21.18	
33	89001122360	1	RIVET, STEEL	45200	
34	89001122460	2	RIVET, ALUMINUM	21.16	
35	61010522360	1	HOLDER ASY, BEARING	6000	INCLUDES ITEMS 36 - 40
36	43334522460	2	HOLDER #1, INNER BRNG. (2-pcs)	150	
37	17812922360	1	WASHER, WAVE	152	
38	61011122360	2	HOLDER, BEARING	100	
39	90080206002	1	BEARING, BALL	116	
40	43334522560	2	HOLDER #2, INNER BRNG. (2-pcs)	151	
41	61000622460	1	SHAFT ASY, DRIVE	5061	INCLUDES ITEMS 42 - 46
42	61000622060	1	SHAFT ASY, LOWER DRIVE	5000.10	INCLUDES ITEMS 43 & 44
43	61001222360	1	CONNECTOR ASY, ENG. SQ.	166.10	
44	61001122060	1	SHAFT, LOWER DRIVE	10	
45	61001122460	1	SHAFT, UPPER DRIVE	24109	
46	61029822360	1	ADAPTER, UP DRIVE SHAFT	144	
47	43330722460	1	BUSHING ASY, FLOATING	6100	INCLUDES ITEM 48 & 49
48	43334522660	1	BUSHING, FLOATING	20100	
49	10494022560	1	SPRING, FLOATING BEARING	110	



KEY	PART NUMBER	QTY	DESCRIPTION	TTC #	REMARKS
	61050122460	1	CUTTING HEAD ASY	1260	INCLUDES ITEMS 1 - 49
	61040022360	1	CUTTING HEAD ASY W/O B&C	1201	INCLUDES ITEMS 3 - 49
1	43161122360	1	CHAIN, CUTTING 12"	23011	
2	43041122360	1	BAR, GUIDE 12"	23012	
3	43305522360	1	BRACKET, GUIDE BAR	20108	
4	90005300400	4	SCREW, TORX	45140	
5	61040722460	1	CASE, GEAR, UP	24107	
6	61030922360	1	SHAFT, PINION GEAR ASY	104	
7	61040722360	1	CASE, GEAR, LOW	24007	
8	90005300200	1	SCREW, TORX	45120	
9	90003150100	4	NUT, LOCKING	45170	
10	90005300300	4	SCREW, TORX	45130	
11	11007622360	1	SPACER, FRONT BAR BOLT	112	
12	11007622460	1	SPACER, REAR BAR BOLT	124	
13	10491022360	1	CUSHION	168	
14	61030622360	1	SHAFT ASY, SPROCKET GEAR	8001	INCLUDES ITEMS 15 - 21
15	90003000200	1	NUT, HEX	40512	
16	30281022360	1	SPROCKET, DRIVE	3.1	
17	30281222360	1	PLATE, SPROCKET	113.1	
18	90080206001	1	BEARING, BALL	106	
19	10013222060	1	WASHER, CIRCULAR 12	141	
20	61031122360	1	GEAR, BEVEL	5	
21	61030622360	1	SHAFT ASY, DRIVE SPROCKET	105	
22	11007622560	1	SPACER, OILER COVER	126	
23	90005100100	1	SCREW, HEX HEAD	21.1	
24	17802022360	1	WASHER, CIRCULAR 6	102	
25	TBA	1	COVER ASY, OILER	1202	INCLUDES ITEMS 26 - 29
26	90005600200	1	BOLT, SHOULDER	21.8	
27	90003500200	1	WASHER, FLAT	21.37	
28	43760522360	1	COVER, OILER	30	
29	43309522360	1	TENSIONER ASY, CHAIN	120	
30	43700022360	1	OILER ASY, AUTO	1206	INCLUDES ITEMS 28,29 & 31 - 46
31	43710422360	1	WHEEL ASY, OIL PUMP	52	INCLUDES ITEM 32
32	43712222360	1	O-RING, PUMP WHEEL	21.29	
33	10494022360	1	SPRING, COMPRESSION	35	
34	70700022360	1	LINK ASY, OILER IDLER	54	
35	16821822160	1	PIPE, OIL APPLICATOR	39	
36	43700022460	1	PUMP ASY, OILER	51	
37	43704122360	1	LINK, OILER DRIVE	36	
38	69902522360	1	PLATE, PROTECTION	50	
39	90005200200	2	SCREW P.H.	21.27	
40	43600522360	1	TANK ASY, OIL	1210	INCLUDES ITEMS 41 - 46
41	43712222060	1	O-RING, OIL CAP	21.28	
42	90005200300	2	SCREW, P.H.	21.26	
43	27021722460	1	O-RING	21.49	
44	43724322360	1	HOUSING, OIL FILTER	20058	
45	43620522360	1	STRAINER ASY, OIL	21.31	
46	43600122060	1	CAP, OIL TANK	55	



KEY	PART NUMBER	QTY	DESCRIPTION	REMARKS
	123000 52131	1	CARBURETOR WT-424A	INCLUDES THE FOLLOWING
1	12311043130	2	SCREW	
2	12314209560	1	COVER, PURGE PUMP	
3	12318109560	1	PUMP, PURGE	
4	12317135630	1	VALVE, PURGE CHECK	
5	12312443230	1	COVER, FUEL PUMP	
6	12313304260	1	SPRING, IDLE ADJUST	
7	12313404260	1	SCREW, IDLE ADJUST	
8	A B	1	GASKET, FUEL PUMP	
9	A B	1	DIAPHRAGM, FUEL PUMP	
10	A	1	SCREEN, INLET	
11	12311352130	1	SPRING, THROTTLE SHAFT	
12	12311752130	1	SHAFT, THROTTLE	
13	12317307930	1	CLIP	
14	12314926030	1	WASHER	
15	12317226030	1	SWIVEL	
16	12312052130	2	NEEDLE, MIXTURE	
17	A	1	PLUG, WELCH	
18	A	1	SPRING, METERING LEVER	
19	A	1	LEVER, METERING	
20	A B	1	GASKET, METERING DIAPHRAGM	
21	A B	1	DIAPHRAGM, METERING	
22	12314203930	1	COVER, METERING DIAPHRAGM	
23	A	4	SCREW	
24	A	1	SCREW	
25	A	1	PIN, METERING LEVER	
26	A	1	VALVE, INLET NEEDLE	
27	12311652130	1	VALVE, THROTTLE	
28	12311403930	1	SCREW	
29	12312715030	1	CLIP	
A	12310052130	1	REBUILD KIT	
B	12310152130	1	GASKET/DIAPHRAGM KIT	