



**POWER PRUNER
PARTS CATALOG
MODEL PP-1200**

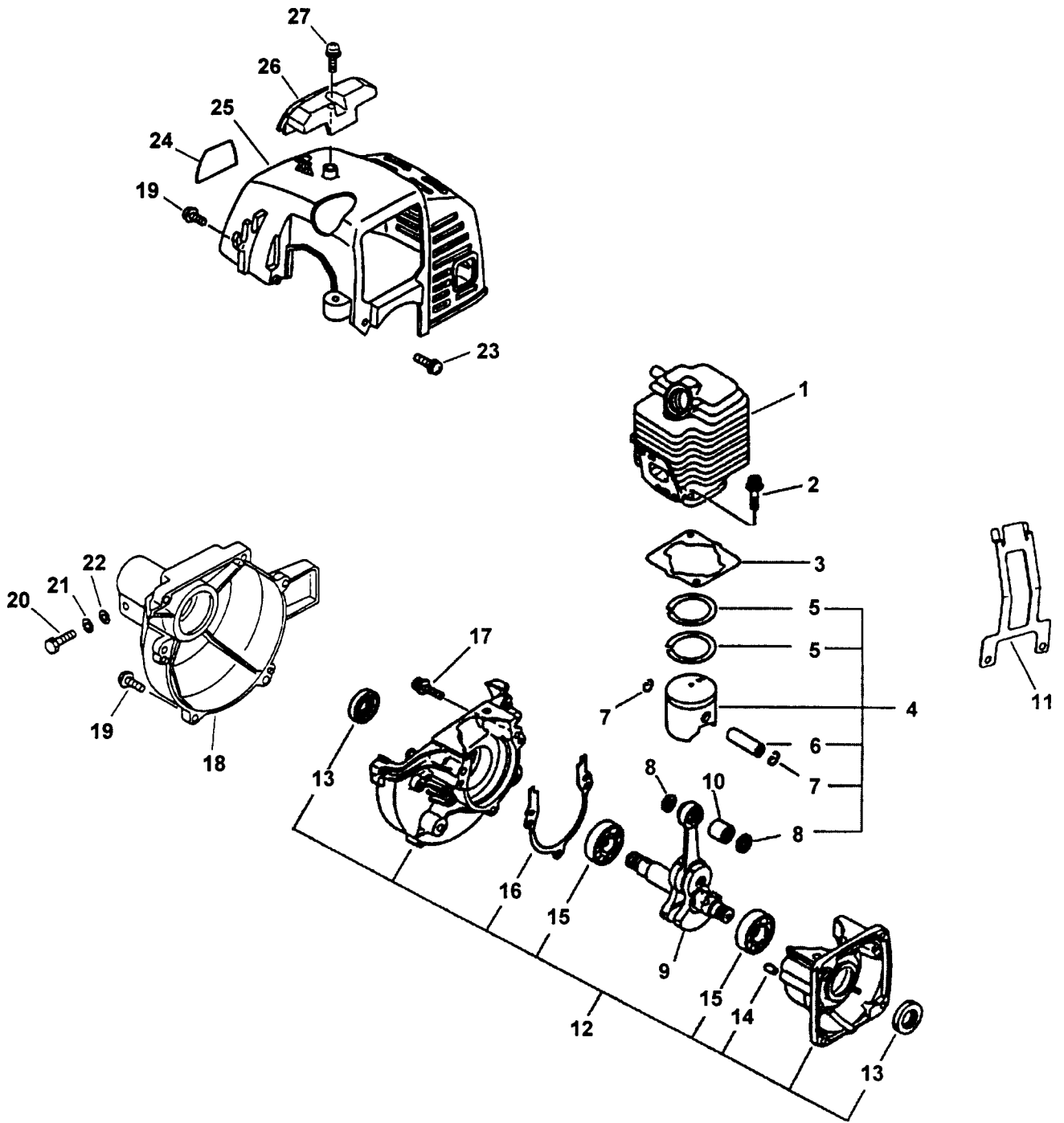
SERIAL NUMBER 001001 & UP

MODEL PP-1200 TYPE 1E

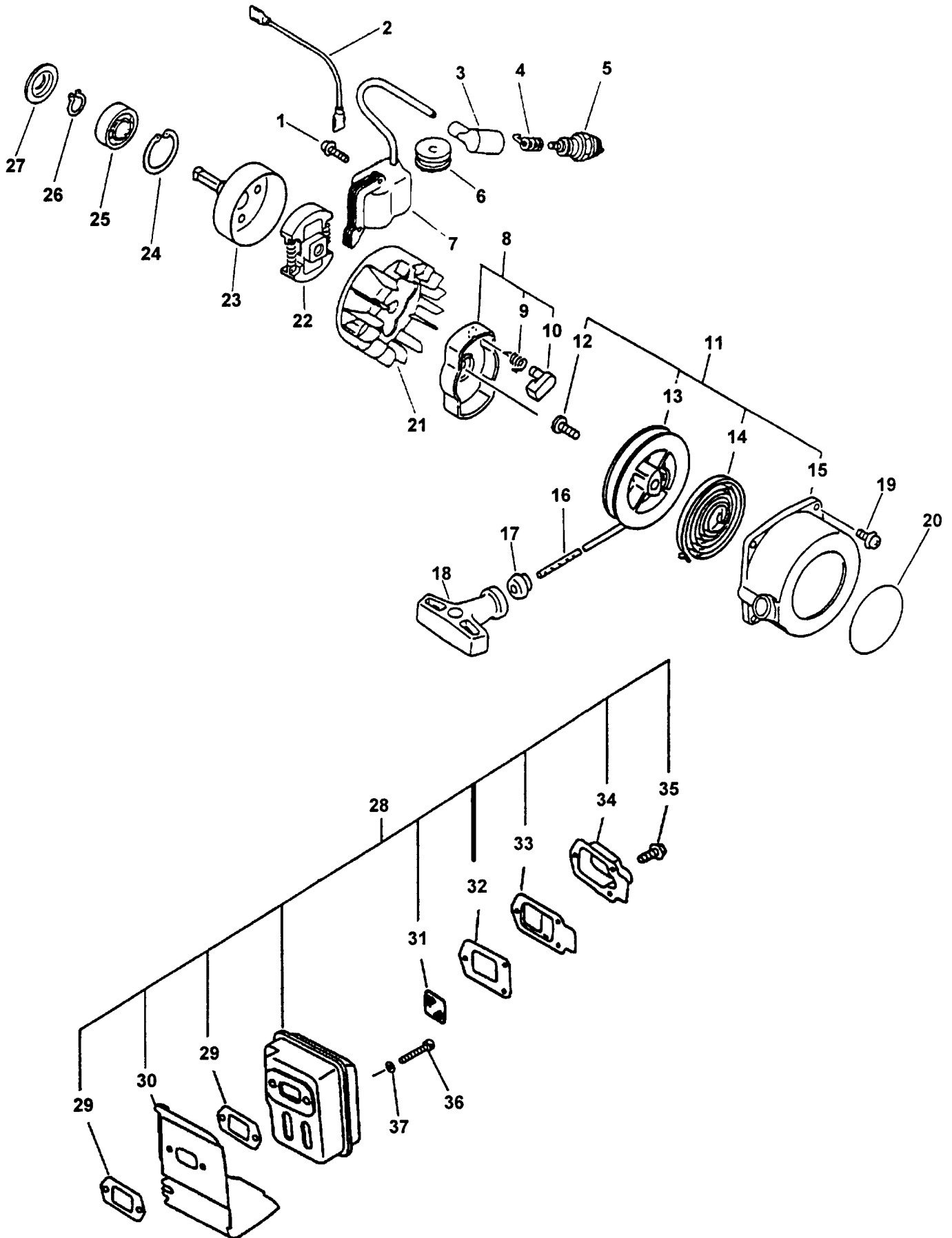
SERIAL NUMBER 001001 & UP

**ECHO, INCORPORATED
400 OAKWOOD ROAD
LAKE ZURICH, IL 60047**

**99922202901
08/97**

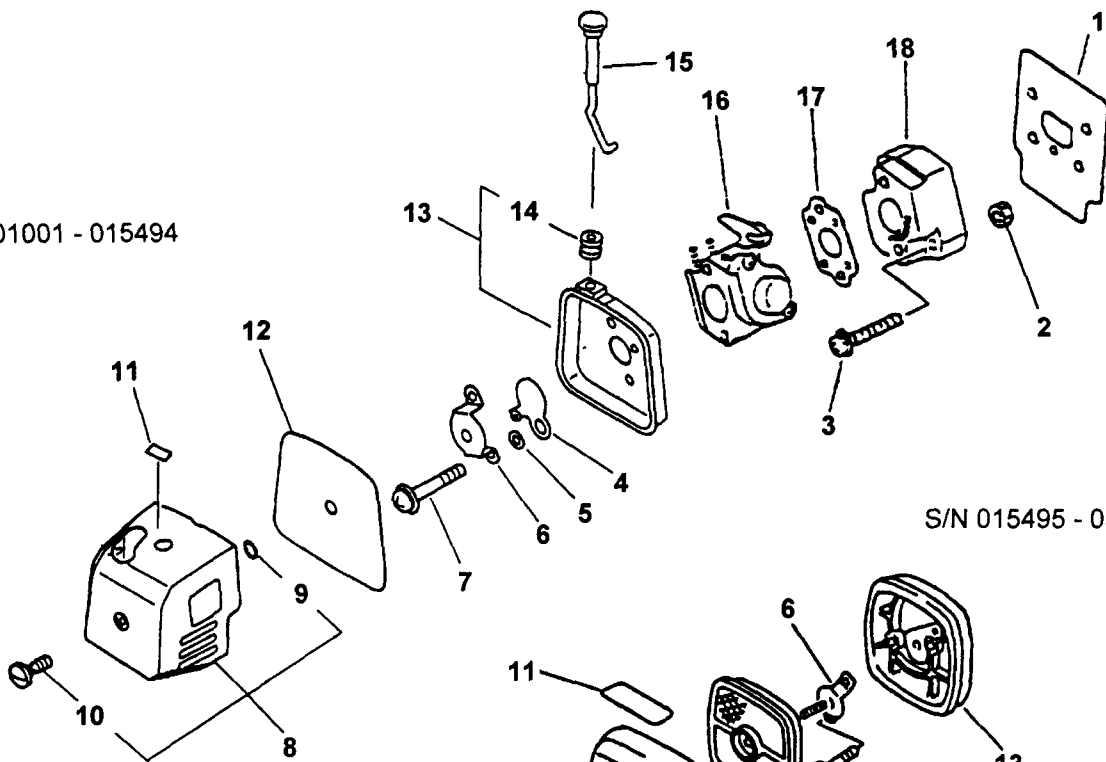


KEY	PART NUMBER	QTY	DESCRIPTION	REMARKS
1	10101147630	1	CYLINDER	S/N 001001 - 055504
1	10101146830	1	CYLINDER	S/N 055505 & UP
			TYPE 1E	S/N 001001 & UP
2	90016205022	2	BOLT, H S. 5X22	
3	10101044332	1	GASKET, CYLINDER BASE	INCLUDED IN KIT 88900044632
4	10000044330	1	PISTON KIT	S/N 001001 - 055504 INCLUDES ITEMS 5 - 8
4	10000048730	1	PISTON KIT	S/N 055505 & UP INCLUDES ITEMS 5 - 8
			TYPE 1E	S/N 001001 & UP INCLUDES ITEMS 5 - 8
5	10001105330	2	RING, PISTON	S/N 001001 - 055504 (QTY-ONE)
6	10001311520	1	PIN, PISTON	
7	10001504630	2	CIRCLIP, PISTON PIN	
8	10001411520	2	SPACER, PISTON PIN	
9	10010044732	1	CRANKSHAFT ASY	S/N 001001 - 055504 INCLUDES ITEM 10
9	10010054130	1	CRANKSHAFT ASY	S/N 055505 & UP INCLUDES ITEM 10
			TYPE 1E	S/N 001001 & UP INCLUDES ITEM 10
10	10001251230	1	BEARING, NEEDLE	
11	10158746730	1	GUARD, ENGINE	S/N 013245 & UP
12	10020451030	1	CRANKCASE ASY	S/N 001001 - 055504 INCLUDES ITEMS 13 - 17
12	10020452130	1	CRANKCASE ASY	S/N 055505 & UP INCLUDES ITEMS 13 - 17
			TYPE 1E	S/N 001001 & UP INCLUDES ITEMS 13 - 17
13	10021242030	2	OILSEAL	
14	10021503930	2	PIN, DOWEL	
15	90081036201	2	BEARING, BALL 6201	
16	-----	1	GASKET, CRANKCASE	INCLUDED IN KIT 88900044632
17	90016205028	3	BOLT 5X28	
18	10151144630	1	COVER, FAN BLACK	
19	90016204016	6	BOLT 4X16	
20	90015105025	1	BOLT 5X25	
21	90060500005	1	WASHER, SPRING 5	
22	90060000005	1	WASHER 5	
23	90023804012	2	SCREW 4X12	
24	89014044530	1	LABEL, MODEL	
25	10151444530	1	COVER, CYLINDER	
26	15991244530	1	GUARD, TOP	
27	90025305016	1	SCREW 5X16	
	SB1007	1	SHORT BLOCK (NON EMISSION)	INCLUDES FACTORY ASSEMBLED
	SB1026	1	SHORT BLOCK (EMISSION)	CYLINDER, CRANKCASE, PISTON,
				CRANKSHAFT, BEARINGS & SEALS
	88900044632	1	GASKET KIT	INCLUDES THE FOLLOWING ITEMS
	10101044332	1	GASKET, CYLINDER BASE	
	-----	1	GASKET, CRANKCASE	
	13001042032	1	GASKET, INTAKE	
	13001642031	1	GASKET, INTAKE	
	14551042031	2	GASKET, MUFFLER	
	14586642031	1	GASKET, MUFFLER LID	
	14563142030	1	COVER, MUFFLER	

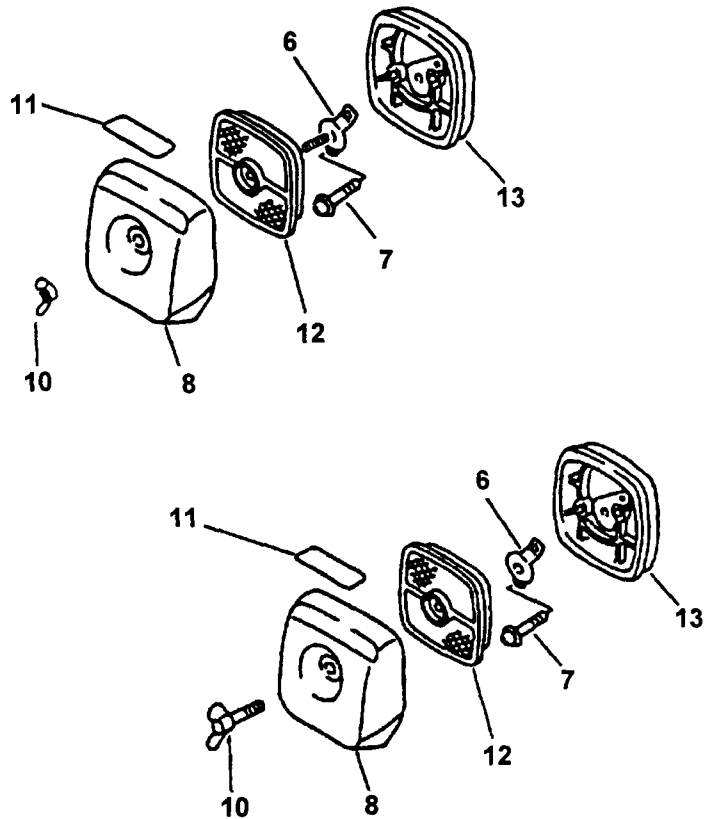


KEY	PART NUMBER	QTY	DESCRIPTION	REMARKS
1	90016204022	2	BOLT 4X22	
2	16202152130	1	LEAD	S/N 055505 & UP
			TYPE 1E	S/N 001001 & UP
3	15901201620	1	CAP, SPARK PLUG	
4	15901103432	1	COIL, SPARK PLUG CAP	
5	99944500071	1	PLUG, SPARK BPM-7Y	
6	15011244330	1	GROMMET, H.T. CORD	
7	15660144731	1	C.D. IGNITION MODULE W/LEAD	S/N 001001 - 055504
7	15660152130	1	C.D. IGNITION MODULE	S/N 055505 & UP
			TYPE 1E	S/N 001001 & UP
8	17720244330	1	PAWL ASY, STARTER	INCLUDES ITEMS 9 & 10
9	17723442030	1	SPRING, RETURN	
10	17721844330	1	PAWL, STARTER	
11	17720042033	1	STARTER ASY	INCLUDES ITEMS 12 - 18
12	17723644330	1	SCREW	
13	17721544430	1	DRUM, STARTER	
14	17722042030	1	SPRING, REWIND	
15	17723242030	1	CASE, STARTER	
16	-----	1	ROPE, STARTER	USE BULK ROPE 999444 00040 DIA. 3.0 MM (.12") X 1000 MM (39 4")
17	17722742030	1	GUIDE, ROPE	
18	17722806530	1	GRIP, STARTER	
19	90016204016	2	BOLT 4X16	
20	89011544530	1	LABEL, BRAND	
21	15680144731	1	FLYWHEEL	
22	17500042031	1	CLUTCH ASY	
23	17500542030	1	DRUM, CLUTCH	
24	90070200032	1	CIRCLIP 32	
25	90081406201	1	BEARING, BALL 6201	
26	90070100012	1	CIRCLIP 12	
27	17505304920	1	STOPPER	
28	14580042031	1	MUFFLER ASY	S/N 001001 - 055504 INCLUDES ITEMS 29-35
28	14580054130	1	MUFFLER ASY	S/N 055505 & UP INCLUDES ITEMS 25-39
29	14551042031	2	GASKET, MUFFLER	USE GASKET KIT 88900044632
30	14563142030	1	COVER, MUFFLER	USE GASKET KIT 88900044632
31	14586240630	1	SCREEN, MUFFLER	
32	14586642031	1	GASKET, MUFFLER LID	USE GASKET KIT 88900044632
33	14587642030	1	HOLDER, SCREEN	
34	14586342030	1	FIXTURE, SCREEN	S/N 001001 - 055504
34	14586354130	1	FIXTURE, SCREEN	S/N 055505 & UP
			TYPE 1E	S/N 001001 & UP
35	90023804010	3	SCREW 4X10	
36	90010505055	2	BOLT, H.S. 5X55	
37	90060000005	2	WASHER 5	
38	16340046830	1	SWITCH, IGNITION	S/N 001001 - 055504 (NOT SHOWN)
39	17801005631	1	TRIGGER, THROTTLE	S/N 001001 - 055504 (NOT SHOWN)
40	17800144430	1	CABLE, THROTTLE	S/N 001001 - 055504 (NOT SHOWN)

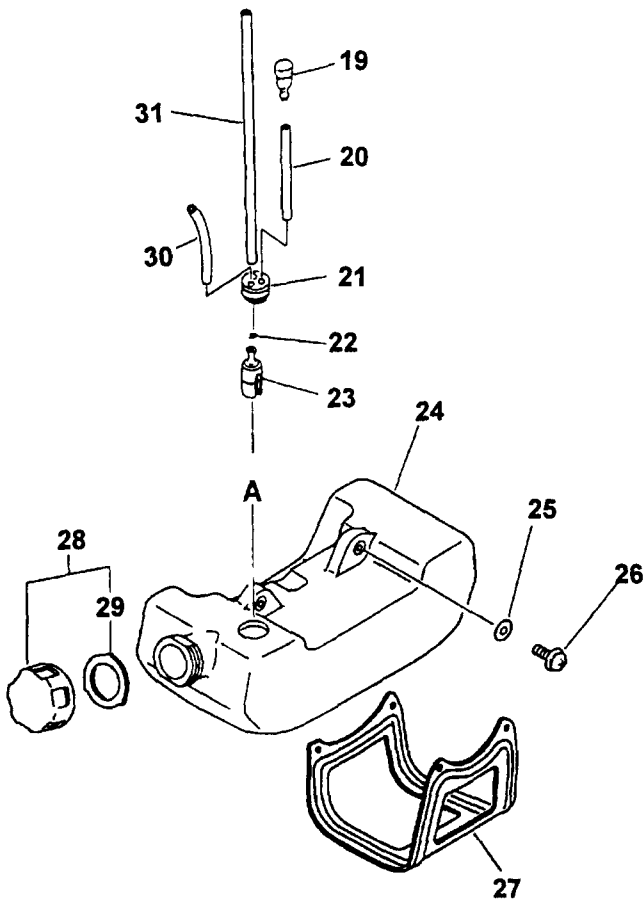
S/N 001001 - 015494



S/N 015495 - 055504

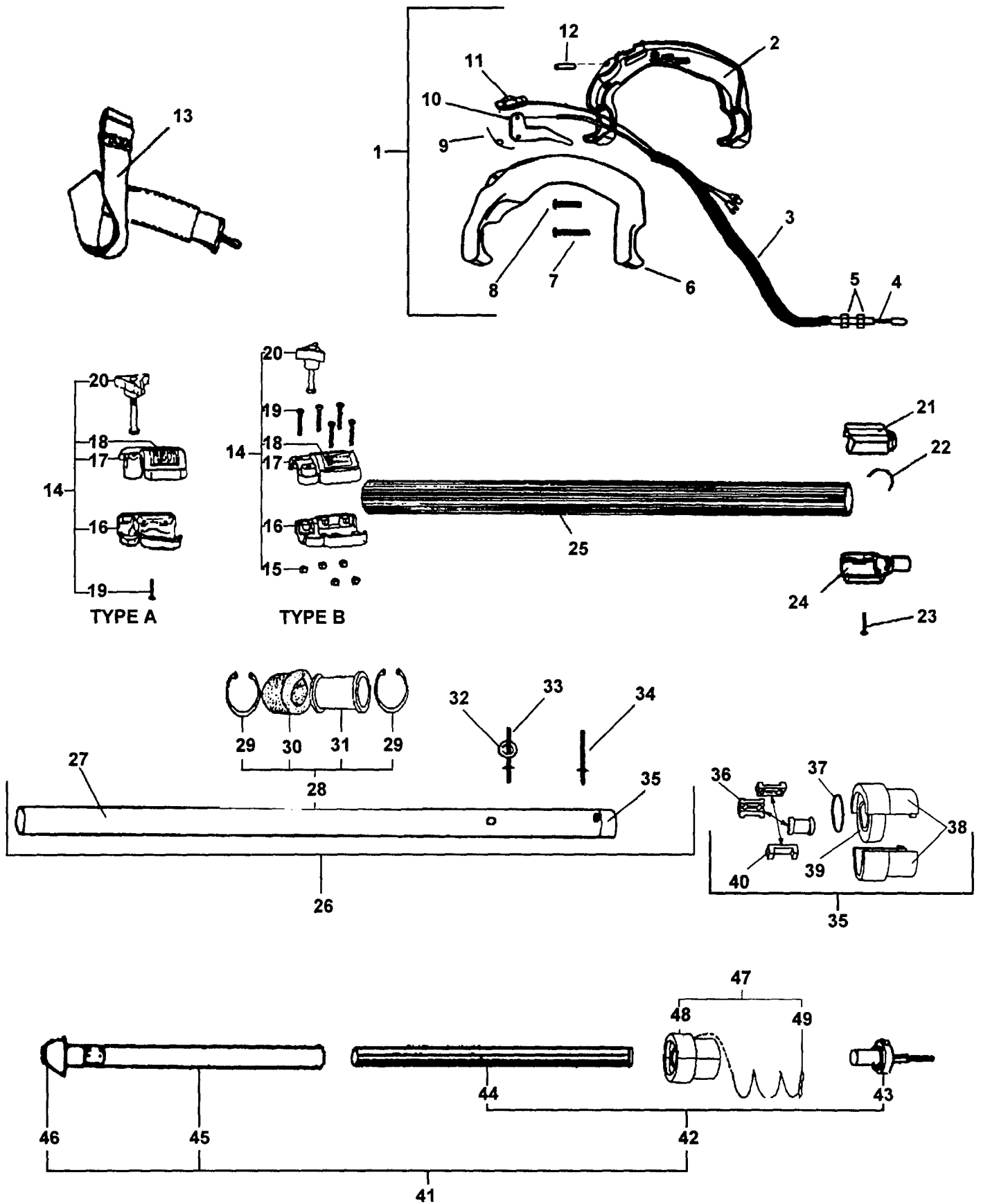


S/N 055505 & UP



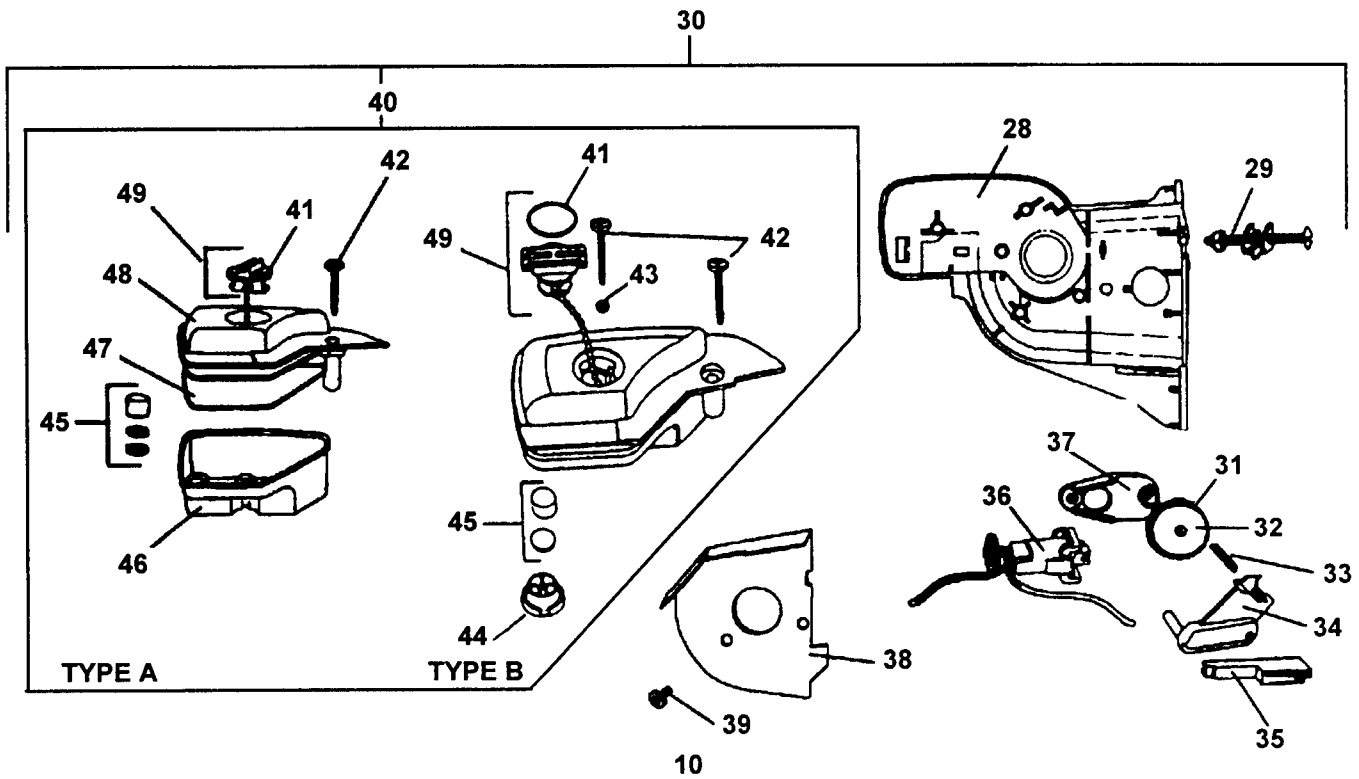
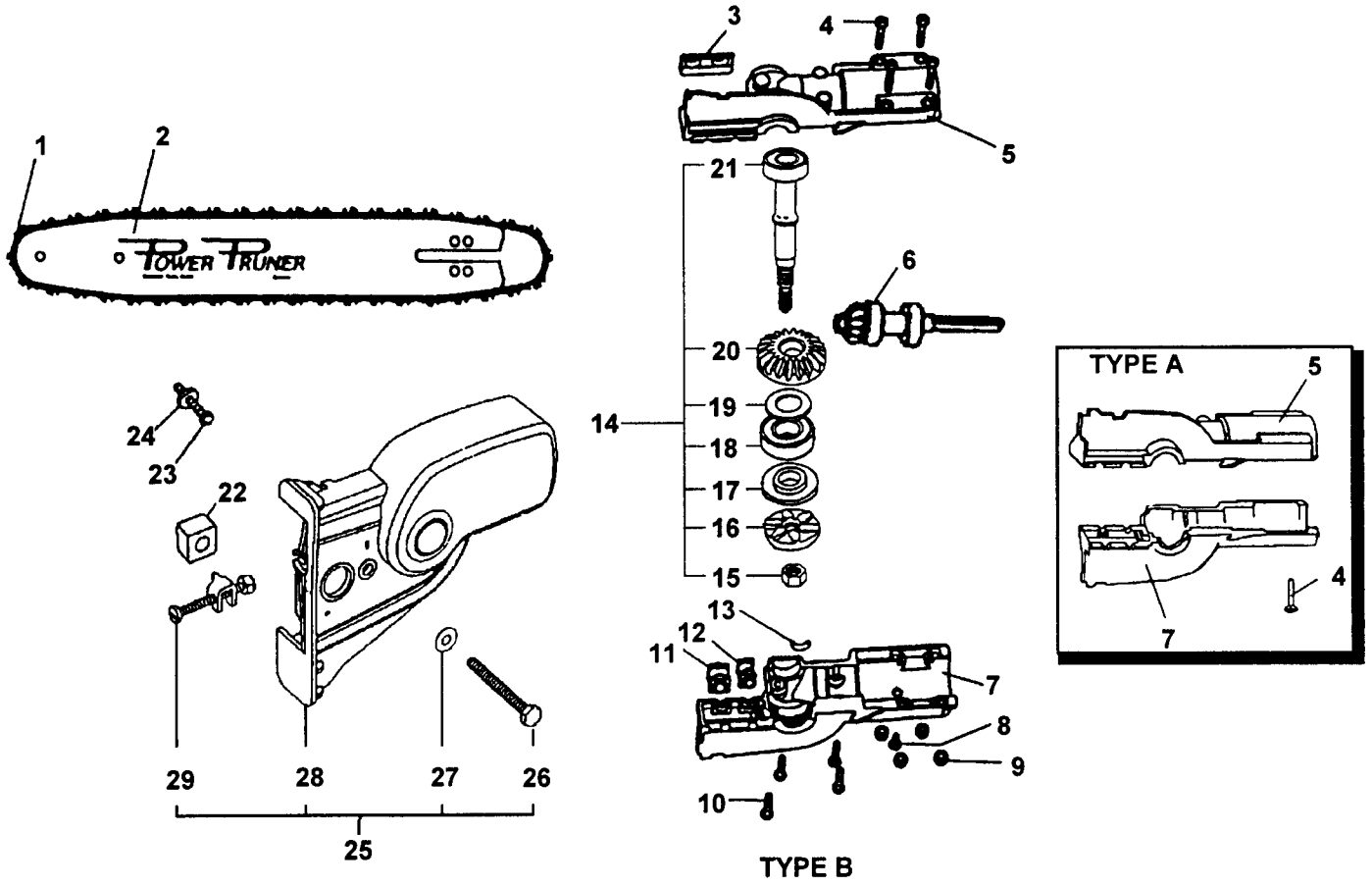
KEY	PART NUMBER	QTY	DESCRIPTION	REMARKS
1	13001042032	1	GASKET, INTAKE	USE GASKET KIT 88900044632
2	90050000005	2	NUT 5	
3	90023805020	2	SCREW	
4	17851504560	1	SHUTTER, CHOKE	
5	17851600830	1	WASHER 5	
6	13041044730	1	PLATE, PREVENT	S/N 001001 - 015494
6	12901105060	1	PLATE, PREVENT	S/N 015495 - 055504
6	12901152730	1	PLATE, PREVENT	S/N 055505 & UP
7	90024205057	2	SCREW 5X57	S/N 001001 - 015494
7	90024205065	2	SCREW 5X65	S/N 015495 & UP
8	13030250630	1	COVER ASY, AIR CLEANER	S/N 001001 - 015494 INCLUDES ITEMS 9 & 10
8	13031305861	1	COVER, AIR CLEANER	S/N 015495 - 055504
8	13031305863	1	COVER, AIR CLEANER	S/N 055505 & UP
9	90072000004	1	O-RING 4	
10	13041540630	1	SCREW	S/N 001001 - 015494
10	90052800005	1	NUT, WING	S/N 015495 - 055504
10	21041752730	1	BOLT, WING	S/N 055505 & UP
11	89012140630	1	LABEL, CHOKE	S/N 001001 - 015494
11	89012106360	1	LABEL, CHOKE	S/N 015495 & UP
12	13031004560	1	FILTER, AIR	S/N 001001 - 015494
12	13031740630	1	FILTER, AIR H D. OPT	S/N 001001 - 015494
12	13031054130	1	FILTER, AIR	S/N 015495 & UP INCLUDED IN KIT 90008
13	13030104560	1	CASE, AIR CLEANER	S/N 001001 - 015494 INCLUDES ITEM 14
*13	13030706761	1	CASE, AIR CLEANER	S/N 015495 & UP
14	17881005230	1	GROMMET, CHOKE	
15	17851048830	1	ROD, CHOKE	
16	12520050630	1	CARBURETOR C1U-K16	S/N 001001 - 055504
16	12520049030	1	CARBURETOR C1U-K47	S/N 055505 & UP
16	12520013311	1	CARBURETOR C1U-K52 TYPE 1E	S/N 001001 & UP
17	13001642031	1	GASKET, INTAKE	USE GASKET KIT 88900044632
18	13001742031	1	INSULATOR	
19	13130040630	1	VALVE, CHECK	INCLUDED IN KIT 90010
20	13131244330	1	PIPE, VENT 3X5X70	
21	13211546730	1	GROMMET, FUEL	
22	13201309820	1	CLIP	
23	13120507320	1	STRAINER, FUEL	INCLUDED IN KIT 90008
24	13100544331	1	TANK, FUEL	
25	90060300005	2	WASHER 5MM	
26	90023805016	2	SCREW 5X16	
27	30511042030	1	STAND	
28	13100453530	1	CAP ASY, FUEL TANK	INCLUDES ITEM 29 INCLUDED IN KIT 90010
29	13101655830	1	GASKET, FUEL TANK CAP	
30	13201246730	1	PIPE, RETURN	
31	13201013930	1	PIPE, FUEL	

* WHEN REPLACING AIR CLEANER CASE P/N 13030706761 ON UNITS BETWEEN S/N 015495 - 027748, ALSO, ORDER (2) P/N 90024205065 5X65 SCREW FOR PROPER RETENTION



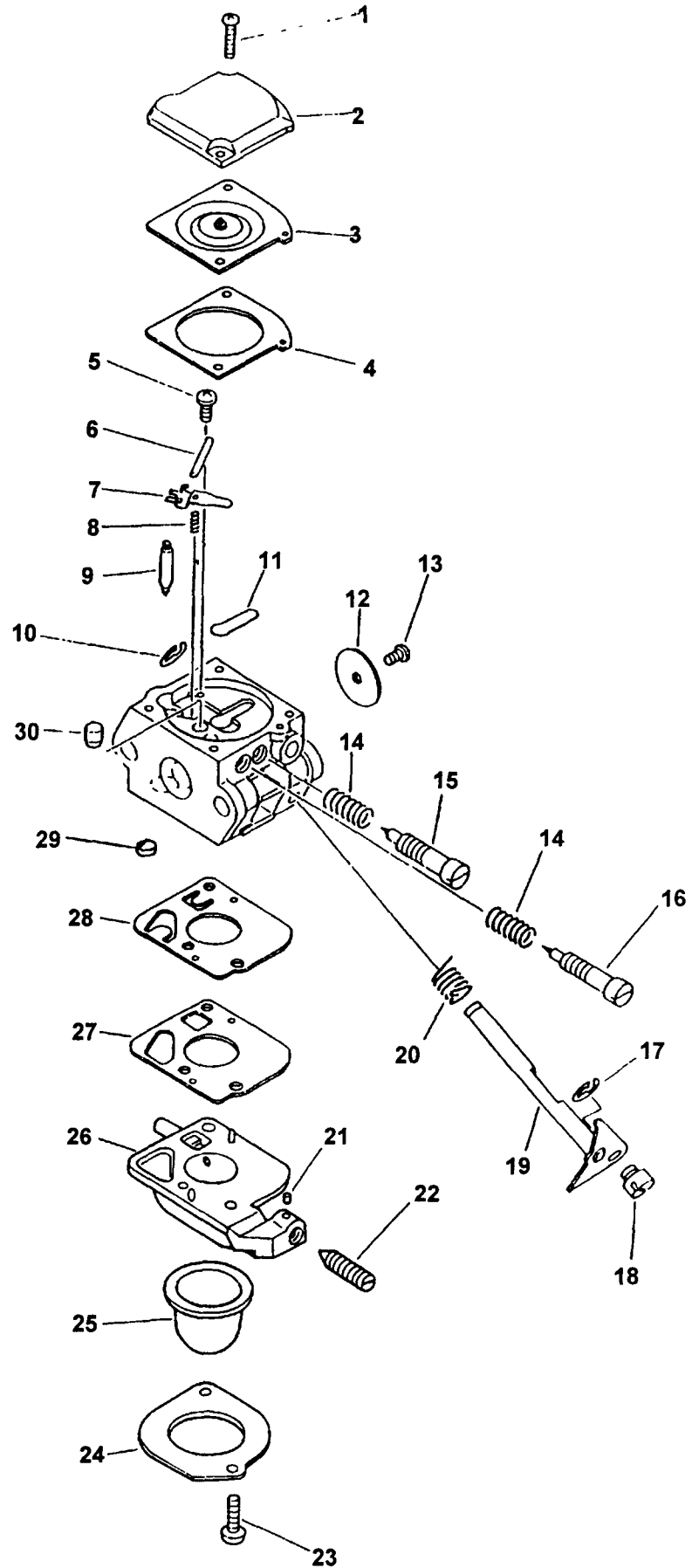
KEY	PART NUMBER	QTY	DESCRIPTION	TTC #	REMARKS
	61020622360	1	PIPE, MAIN ASY COMPLETE	2100	INCLUDES ITEMS 1 - 48
	61060922360	1	DRIVE SHAFT & HOUSING ASY	2000.10	INCLUDES ITEMS 21 - 48
1	35150122560	1	HANDLE ASY, REAR	3002	INCLUDES ITEMS 2 - 12
2	35112922360	1	HANDLE, REAR R.H	170	
3	17801622360	1	TUBE	190	
4	17810022060	1	CABLE ASY, THROTTLE	19.2	INCLUDES ITEM 5
5	90050200006	2	NUT 6	21 11	
6	35110122360	1	HANDLE, REAR L.H	17	
7	90005300400	4	SCREW, TORX PH 10-24X1-1/4	45140	(WAS #21.3)
8	90005300300	2	SCREW, TORX PH 10-24X7/8	45130	(WAS #21.4)
9	17804322360	1	SPRING, THROTTLE CONTROL	180	
10	17801005631	1	CONTROL, THROTTLE	18	
11	16340046830	1	SWITCH, IGNITION	20	
12	88996022660	1	PIN 5/32X3/4	21.13	
13	30100022060	1	STRAP ASY, SHOULDER	23	
*14	61029522360	1	COMPRESSION CLAMP ASY	4000	INCLUDES ITEMS 15 - 20
15	90003150100	5	NUT, LOCKING	45170	(TYPE B ONLY)
16	61028222360	1	COMPRESSION CLAMP (BOTT)	20130	(TYPE A WAS #130)
17	61028222460	1	COMPRESSION CLAMP (TOP)	20013	(TYPE A WAS #13)
18	89016022360	1	LABEL, CAUTION	21000	
19	90005300400	5	SCREW, TORX PH 10-24X1-1/4	45140	(TYPE A WAS #21.5)
20	13040622360	1	KNOB, FASTNER	131	
21	61081022360	1	LOWER HSNG ADAPT (TOP)	160	
22	10491022460	1	CUSHION	167	
23	90005300400	4	SCREW, TORX PH 10-24X1-1/4	45140	(WAS #21.3)
24	61024822360	1	LOWER HSNG ADAPT (BOTT)	16.2	
25	61022222360	1	HOUSING, LOWER	12	
26	61029922360	1	UPPER HOUSING ASY	5100	INCLUDES ITEMS 27 - 35
27	61021022360	1	HOUSING, UPPER	20011	
28	43330722360	1	BUSHING ASY	5110	INCLUDES ITEMS 29 - 31
29	61033522360	2	RING, RETAINING	137	
30	10429222360	1	PAD, FOAM	136	
31	43334522360	1	BUSHING, UPPER HOUSING	135	
32	40011122360	1	WASHER, FLAT 5	21 18	
33	89001122360	1	RIVET	45200	(WAS #21.15)
34	89001122460	2	RIVET	21.16	
35	61010522360	1	BEARING, SHAFT	6000	INCLUDES ITEMS 36 - 40
36	43334522460	1	INNER BRNG HOLDER (2-PCS)	150	
37	17812922360	1	WASHER, WAVE	152	
38	61011122360	2	HOLDER, BEARING	100	
39	90080206002	1	BEARING, BALL	116	
40	43334522560	1	INNER BRNG HOLDER (2-PCS)	151	
41	61000622360	1	DRIVE SHAFT ASY	5001.10	INCLUDES ITEMS 42 - 46
42	61000622060	1	LOWER DRIVE SHAFT ASY	5000 10	INCLUDES ITEMS 43 & 44
43	61001222360	1	ENGINE SQUARE INSERT ASY	166.10	
44	61001122060	1	LOWER DRIVE SHAFT	10	
45	61001122360	1	UPPER DRIVE SHAFT	9	
46	61029822360	1	UPPER DRV SHFT ADPT (2PCS)	144	
47	43330722460	1	FLOATING BEARING ASY	6100	INCLUDES ITEMS 48 & 49
48	10494022560	1	SPRING, COMPRESSION	110	
49	43334522660	1	BUSHING, FLOATING	20100	(WAS #6000)

*When ordering top or bottom halves of Type A compression clamp (P/N 4000), new compression clamp assembly Type B (P/N 4000) will be sent. Type A and Type B clamp halves can not be interchanged.



KEY	PART NUMBER	QTY	DESCRIPTION	TTC #	REMARKS
	61050122260	1	CUTTING HEAD ASY	1200	INCLUDES ITEMS 1 - 49
	61040022360	1	CUTTING HEAD ASY W/O B & C	1201	INCLUDES ITEMS 3 - 49
1	43161022160	1	CHAIN, 10" CUTTING 90SG	23009	(WAS #1 91VG)
2	43041022160	1	BAR, 10" GUIDE 90SG	23010	(WAS #2 91VG)
3	43305522360	1	BRACKET, GUIDE BAR	20108	(WAS #108)
4	90005300400	4	SCREW, TORX PH 10-24X1-1/4	45140	(TYPE A WAS #21.3)
5	61040722460	1	CASE, GEAR (TOP)	24107	(TYPE A WAS #107)
6	61030922360	1	PINION, DRIVE SHAFT	104	
7	61040722360	1	CASE, GEAR (BOTT)	24007	(TYPE A WAS #7)
8	90005300200	1	SCREW 10-24X3/8	45120	(TYPE A WAS #21.7)
9	90003150100	4	NUT, LOCKING 10-24	45170	
10	90005300300	4	SCREW, TORX PH 10-24X7/8	45130	(TYPE A WAS #21 4)
11	11007622360	1	SPACER, FRONT	112	
12	11007622460	1	SPACER, REAR	124	
13	10491022360	1	CUSHION	168	
14	61030622360	1	SPROCKET SHAFT ASY	8001	INCLUDES ITEMS 15 - 21
15	90003000200	1	NUT, HEX 3/8-24	40512	
16	30280622360	1	SPROCKET DRIVE	3	
17	30281222360	1	SPACER, SPROCKET	113.1	(WAS #113)
18	90080206001	1	BEARING, BALL	106	
19	10013222060	2	WASHER, CIRCULAR	141	
20	61031122360	1	GEAR, SPROCKET	5	
21	61030622360	1	SHAFT, SPROCKET	105	
22	11007622560	1	SPACER, OILER COVER	126	
23	90005100100	1	SCREW 1/4-20X1-3/4	21 1	
24	17802022360	1	WASHER, CIRCULAR	102	
25	TBA	1	COVER ASY, OILER	1202	INCLUDES ITEMS 26 - 29
26	90005600200	1	BOLT 1/4-20X2-1/4	21.8	
27	90003500200	1	WASHER, FLAT	21 37	
28	43760522360	1	COVER, OILER	30	
29	43309522360	1	TENSIONER, CHAIN	120	
30	43700022360	1	OILER ASY, AUTO	1206	INCLUDES ITEMS 28,29 & 31 - 49
31	43712222360	1	O-RING	21.29	
32	43710422360	1	CAM, OIL PUMP	52	
33	10494022360	1	SPRING, COMPRESSION OILER	35	
34	70700022360	1	LINK, OILER IDLER	54	
35	16821822160	1	PIPE, OILER	39	
36	43700022460	1	PUMP, AUTO OILER ASY	51	
37	43704122360	1	PIECE, OILER PLUNGER	36	
38	69902522360	1	PLATE, PROTECTION	50	
39	90005200200	2	SCREW, PH 8-32X1/4	21.27	
40	43600522360	1	TANK ASY, OIL	1210	INCLUDES ITEMS 41 - 49
41	43712222060	1	O-RING	21.28	
42	90005300100	2	SCREW, TORX PH 8-32X1	45100	(TYPE A WAS #21.26)
43	27021722460	1	O-RING	21.49	
44	43724322360	1	HSNG, OIL FILT	20058	
45	43620522360	1	STRAINER KIT, OILER	21.31	
46	N/A	1	TANK, OIL (BOTT)	48	USE ASY #1210
47	TBA	1	O-RING	21.30	
48	N/A	1	TANK, OIL (TOP)	47	USE ASY #1210
49	43600122060	1	CAP, OIL	55	

S/N 001001 - 055504

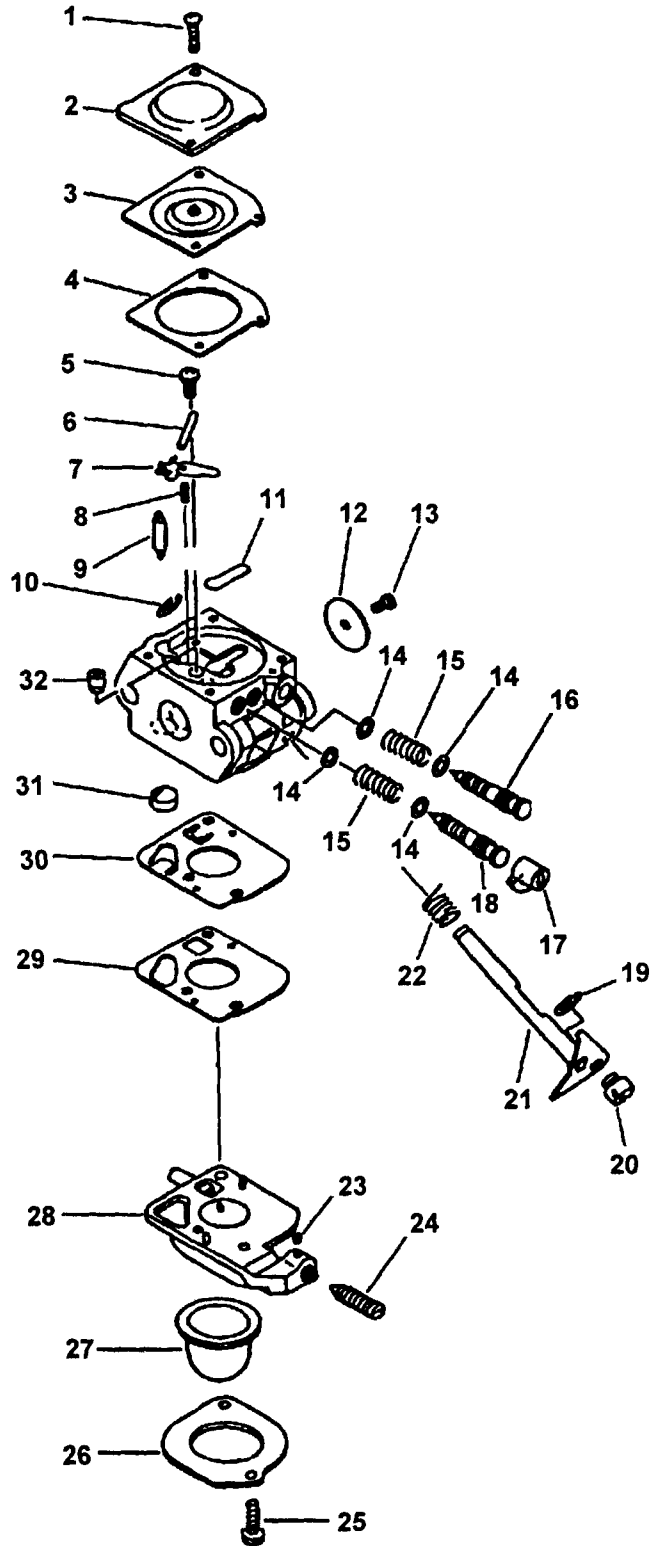


CARBURETOR

PP-1200

KEY	PART NUMBER	QTY	DESCRIPTION	REMARKS
	125200 50630	1	CARBURETOR C1U-K16	S/N 001001 - 055504 INCLUDES THE FOLLOWING
1	12534413931	2	SCREW	
2	12534215130	1	COVER, PURGE PUMP	
3	A B	1	DIAPHRAGM, METERING	
4	A B	1	GASKET, METERING DIAPHRAGM	
5	12533942030	1	SCREW	
6	A	1	PIN	
7	A	1	ARM, VALVE	
8	A	1	SPRING, INLET LEVER	
9	A	1	VALVE, NEEDLE	
10	12532715130	1	CLIP	
11	A	1	PLUG, WELCH	
12	12531642030	1	VALVE, THROTTLE	
13	12531413930	1	SCREW	
14	12531942030	2	SPRING	
15	12531842030	1	NEEDLE, LOW SPEED	
16	12532047630	1	NEEDLE, HIGH SPEED	
17	12532713930	1	CLIP	
18	12537242030	1	SWIVEL	
19	12531742030	1	SHAFT, THROTTLE	
20	12531342030	1	SPRING, THROTTLE RETURN	
21	12537813930	1	PIECE, FRICTION	
22	12533413930	1	SCREW, IDLE ADJUST	
23	12531011610	2	SCREW	
24	12536311610	1	RING	
25	12538146730	1	PUMP, PURGE	
26	12532411610	1	COVER, PUMP	
27	A B	1	GASKET, FUEL PUMP	
28	A B	1	DIAPHRAGM, FUEL PUMP	
29	A	1	SCREEN, INLET	
30	12537611610	1	NOZZLE, CHECK VALVE	
A	12530042030	1	REBUILD KIT	
B	12530342030	1	GASKET/DIAPHRAGM KIT	

S/N 055505 - 501000



CARBURETOR

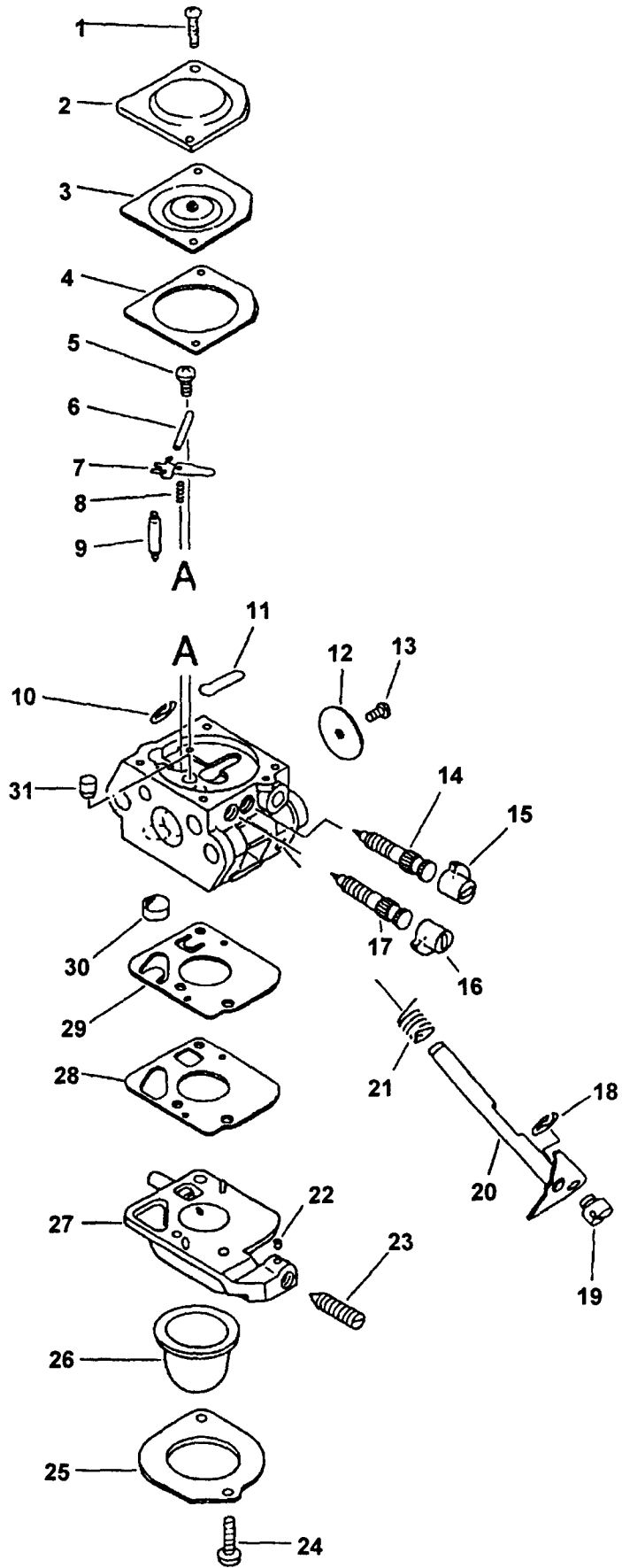
PP-1200

KEY	PART NUMBER	QTY	DESCRIPTION	REMARKS
	125200 49030	1	CARBURETOR C1U-K47	S/N 055505 - 501000 INCLUDES THE FOLLOWING
1	12534452130	2	SCREW	
2	12534213210	1	COVER, METERING CHAMBER	
3	A B	1	DIAPHRAGM, METERING	
4	A B	1	GASKET, METERING DIAPHRAGM	
5	12533942030	1	SCREW, METERING PIN	
6	A	1	PIN, METERING LEVER	
7	A	1	LEVER, METERING	
8	A	1	SPRING, METERING LEVER	
9	A	1	VALVE, NEEDLE	
10	12532715130	1	CLIP, THROTTLE SHAFT	
11	A	1	PLUG, WELCH	
12	12531649030	1	VALVE, THROTTLE	
13	12531413930	1	SCREW, THROTTLE VALVE	
14	12535307760	4	WASHER, NEEDLE	
15	12531942030	2	SPRING, NEEDLE	
16	12531807360	1	NEEDLE, LOW SPEED	
17	12532939030	1	CAP, LIMITER H S.	
18	12532007360	1	NEEDLE, HIGH SPEED	
19	12532713930	1	CLIP, SWIVEL	
20	12537242030	1	SWIVEL	
21	12531749030	1	SHAFT, THROTTLE	
22	12531342030	1	SPRING, THROTTLE RETURN	
23	12537813930	1	PIECE, FRICTION	
24	12533413930	1	SCREW, IDLE ADJUST	
25	12531011610	2	SCREW	
26	12536311610	1	RING	
27	12538146730	1	PUMP, PURGE	
28	12532411610	1	BASE, PURGE	
29	A B	1	GASKET, FUEL PUMP	
30	A B	1	DIAPHRAGM, FUEL PUMP	
31	A	1	STRAINER	
32	12537649030	1	NOZZLE, CHECK VALVE	
A	12530049030	1	REPAIR KIT	
B	12530349030	1	GASKET/DIAPHRAGM KIT	

PP-1200

CARBURETOR

TYPE 1E S/N 001001 & UP



KEY	PART NUMBER	QTY	DESCRIPTION	REMARKS
	125200 13311	1	CARBURETOR C1U-K52	TYPE 1E S/N 001001 & UP INCLUDES
1	12534452130	2	SCREW	
2	12534213210	1	COVER, METERING CHAMBER	
3	A B	1	DIAPHRAGM, METERING	
4	A B	1	GASKET, METERING DIAPHRAGM	
5	12533942030	1	SCREW, METERING PIN	
6	A	1	PIN, METERING LEVER	
7	A	1	LEVER, METERING	
8	A	1	SPRING, METERING LEVER	
9	A	1	VALVE, NEEDLE	
10	12532715130	1	CLIP, THROTTLE SHAFT	
11	A	1	PLUG, WELCH	
12	12531649030	1	VALVE, THROTTLE	
13	12531413930	1	SCREW, THROTTLE VALVE	
14	12531813310	1	NEEDLE, LOW SPEED	
15	12532909860	1	CAP, LIMITER H S	
16	12532939030	1	CAP, LIMITER L S	
17	12532013310	1	NEEDLE, HIGH SPEED	
18	12532713930	1	CLIP, SWIVEL	
19	12537242030	1	SWIVEL	
20	12531713310	1	SHAFT, THROTTLE	
21	12531342030	1	SPRING, THROTTLE RETURN	
22	12537813930	1	PIECE, FRICTION	
23	12533413930	1	SCREW, IDLE ADJUST	
24	12531011610	2	SCREW	
25	12536311610	1	RING	
26	12538108660	1	PUMP, PURGE	
27	12538313310	1	BASE, PURGE	
28	A B	1	GASKET, FUEL PUMP	
29	A B	1	DIAPHRAGM, FUEL PUMP	
30	A	1	STRAINER	
31	12537649030	1	NOZZLE, CHECK VALVE	
A	12530013310	1	REPAIR KIT	
B	12530313310	1	GASKET/DIAPHRAGM KIT	