



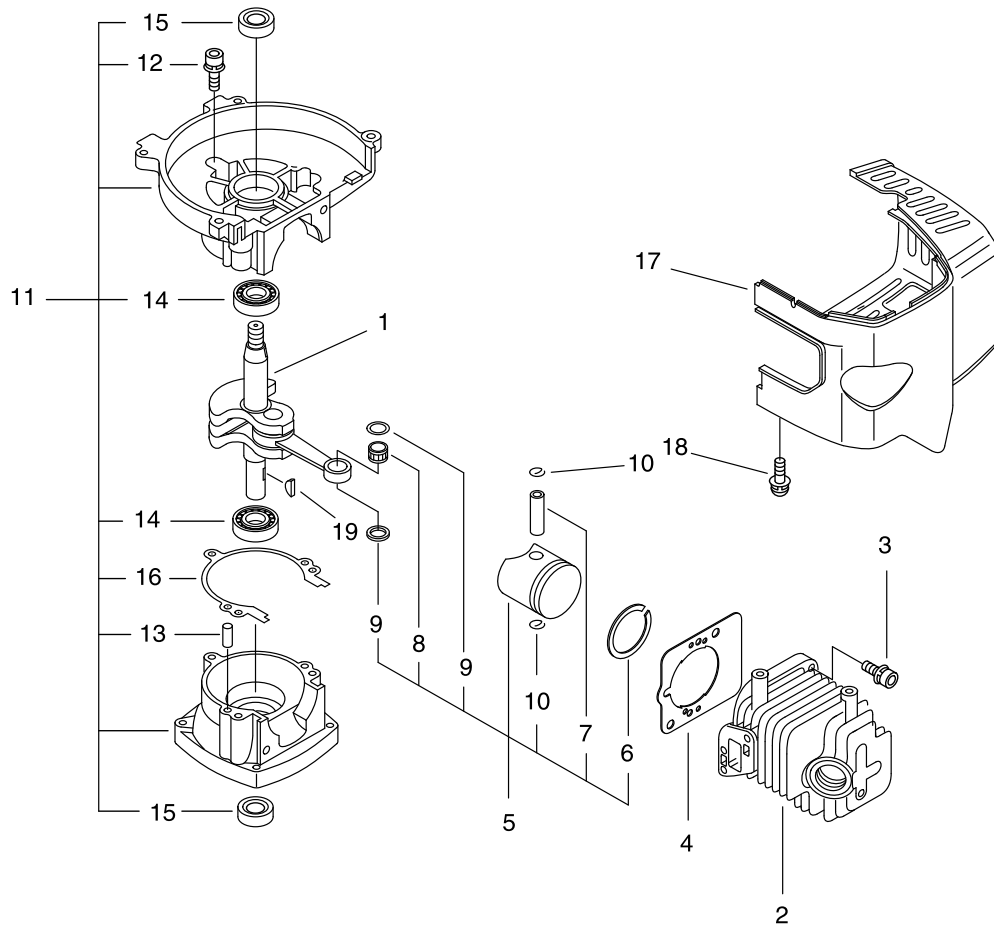
PARTS CATALOG

ENGINE SV-5H/2EU(36)

36000001 -

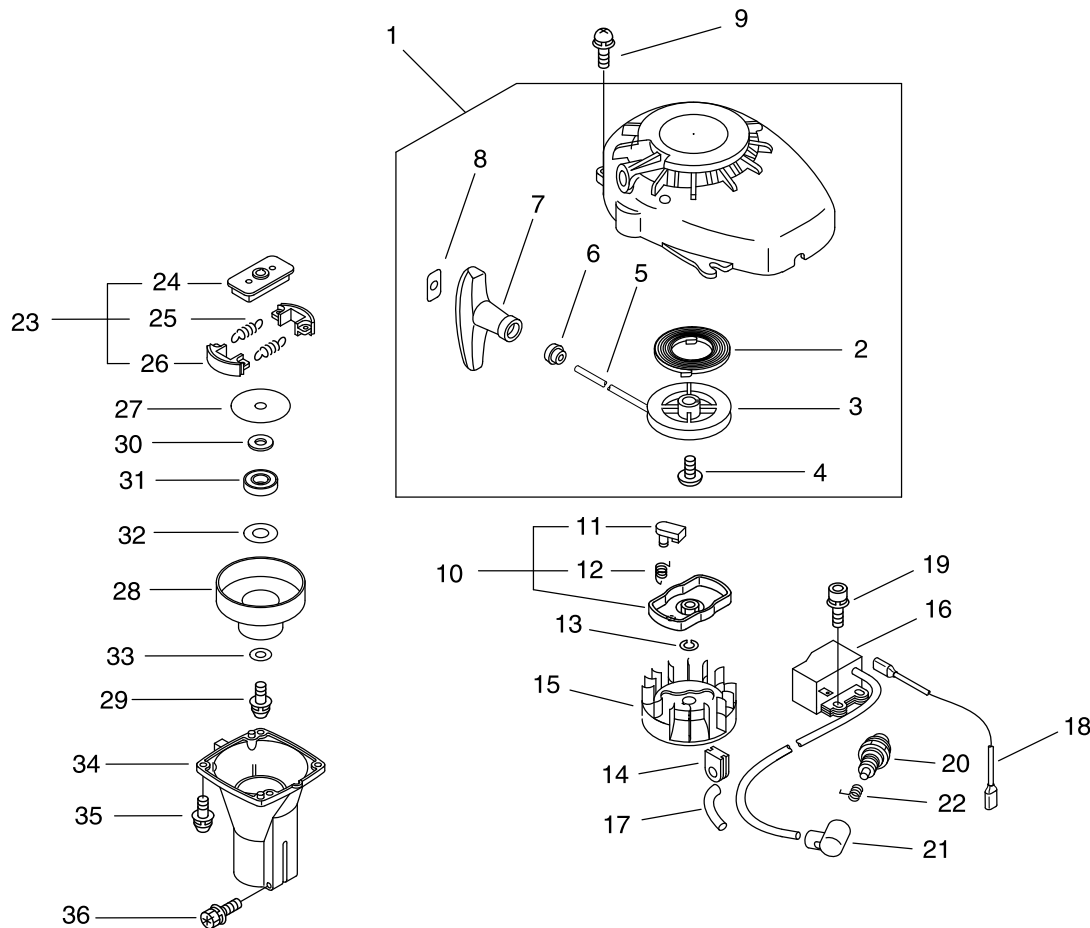
P014-001500-11Gb

1. CYLINDER, PISTON, CRANKCASE



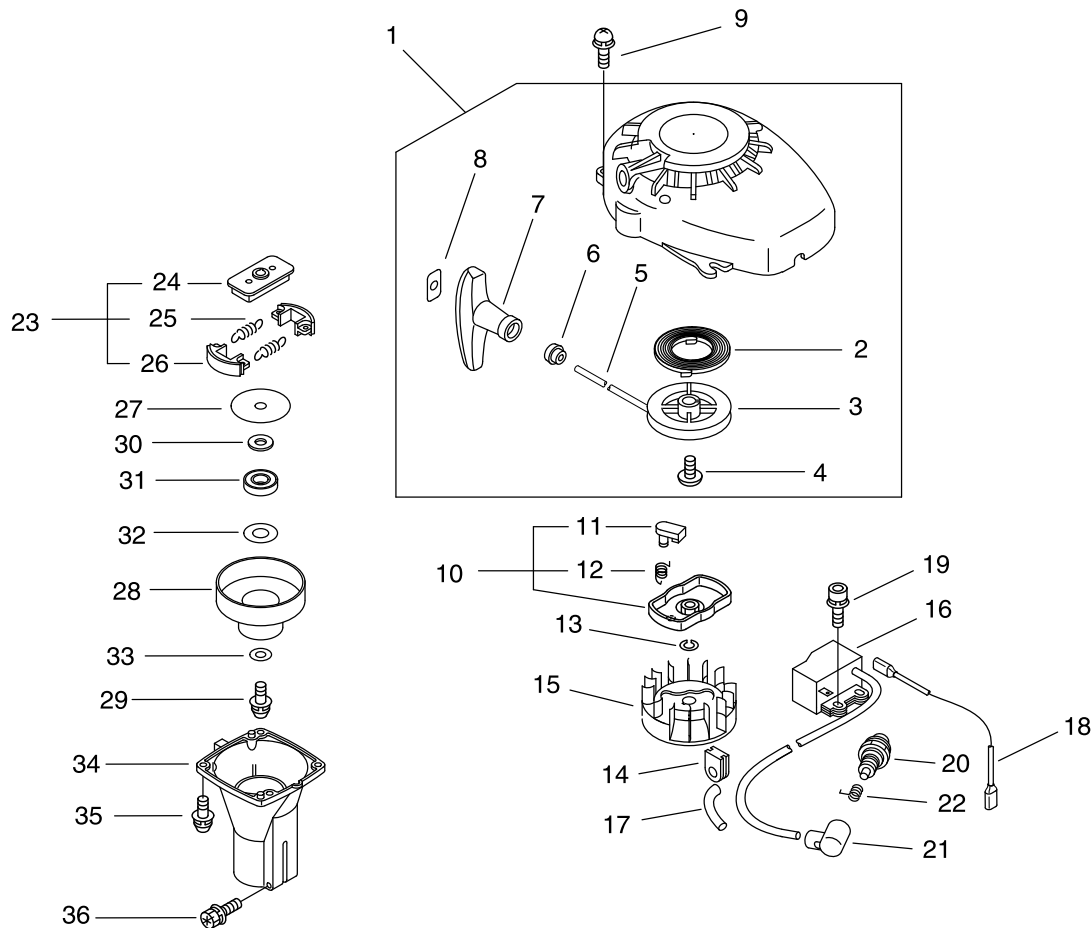
KEY	LV	PART NUMBER	Q'TY	DESCRIPTION	REMARKS	NOTE1	NOTE2
1		A011-000441	1	CRANKSHAFT,ASY			
2		A130-000550	1	CYLINDER			
3		900162-05022	2	BOLT, H.S. 5*22	5*22 W,SW		
4		V100-000160	1	GASKET,CYL			
5		P021-007772	1	PISTON KIT			
6	+	A101-000090	1	RING,PISTON			
7	+	100013-11520	1	PIN, PISTON			
8	+	100113-05930	1	BEARING, NEEDLE	8*12*8		
9	+	100014-08960	2	SPACER, PISTON PIN			
10	+	100015-04630	2	CIRCLIP, PISTON PIN			
11		100204-11521	1	CRANKCASE KIT			
12	+	900162-05028	3	BOLT, H.S. 5*28	5*28 W,SW		
13	+	100215-03930	2	PIN, DOWEL			
14	+	94035-36201	2	BEARING BALL	6201X3JR2C3		
15	+	100212-42031	2	OILSEAL	ISCD 12*22*4.5		
16	+	100242-42030	1	GASKET, CRANKCASE			
17		A160-000610	1	COVER,CYLINDER			
18		900238-04018	2	SCREW 4*18	4*18		
19		610325-02730	1	KEY, WOODRUFF			

2. STARTER, MAGNETO, CLUTCH



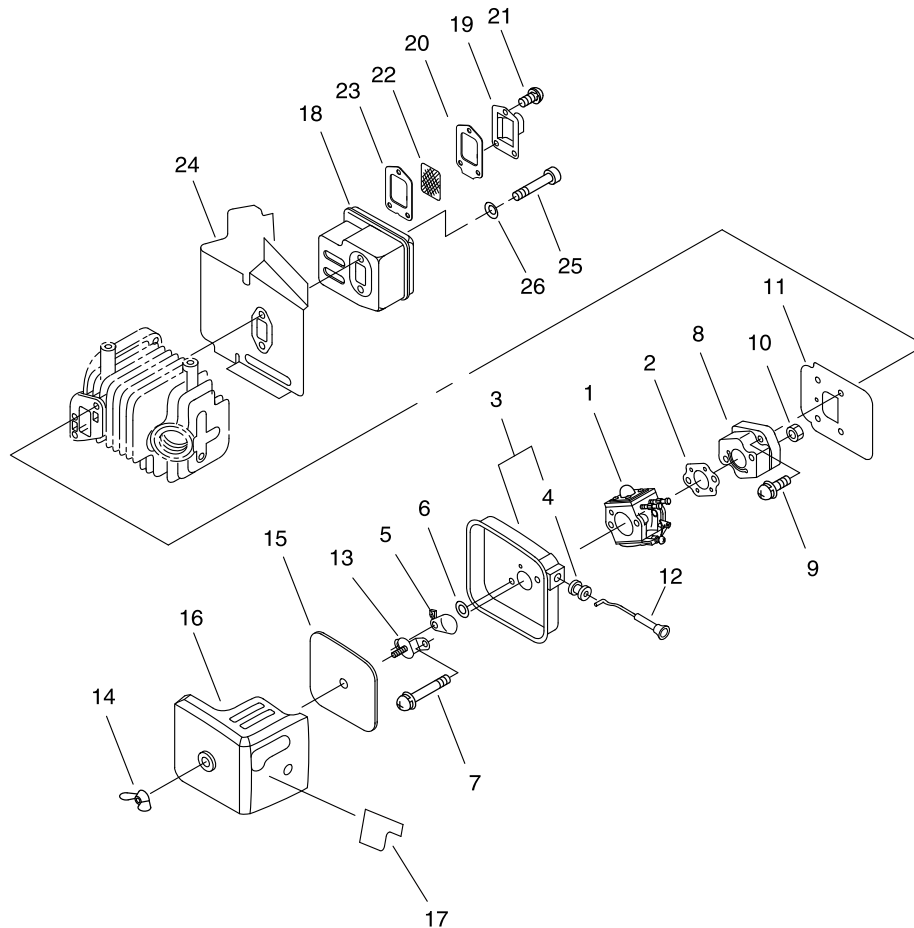
KEY	LV	PART NUMBER	Q'TY	DESCRIPTION	REMARKS	NOTE1	NOTE2
1		A051-000950	1	STARTER,RECOIL			
2	+	177220-42030	1	SPRING, REWIND			
3	+	177215-44430	1	DRUM, STARTER			
4	+	177236-44330	1	SCREW			
5	+	177226-05530	1	ROPE, STARTER	3*890		
6	+	177227-42030	1	GUIDE, ROPE			
7	+	177228-11120	1	GRIP, STARTER			
8	+	177246-11120	1	CLIP, STARTER ROPE			
9		900238-04016	4	SCREW 4*16	4*16		
10		177202-12220	1	PAWL ASSY, STARTER			
11	+	177218-44330	2	PAWL, STARTER	BLACK		
12	+	177234-12220	2	SPRING, PAWL			
13		900605-00008	1	WASHER, SPRING 8	8		
14		156110-04920	1	BUSHING			
15		A409-000150	1	ROTOR,MAGNETO			
16		A411-000130	1	COIL,IGNITION			
17		V475-002200	1	TUBE			
18		162021-52830	1	LEAD	275L		
19		91113-04020	2	BOLT	CM-4*20 SW,W		
20		A425-000000	1	SPARKPLUG	BPMR8Y		
21		159012-01620	1	CAP, SPARK PLUG			
22		159011-03432	1	COIL, SPARK PLUG			
23		175000-07531	1	CLUTCH ASSY			
24	+	175016-05020	1	HUB, CLUTCH			
25	+	175018-05130	2	SPRING, CLUTCH			
26	+	175009-05131	2	SHOE, CLUTCH			

2. STARTER, MAGNETO, CLUTCH



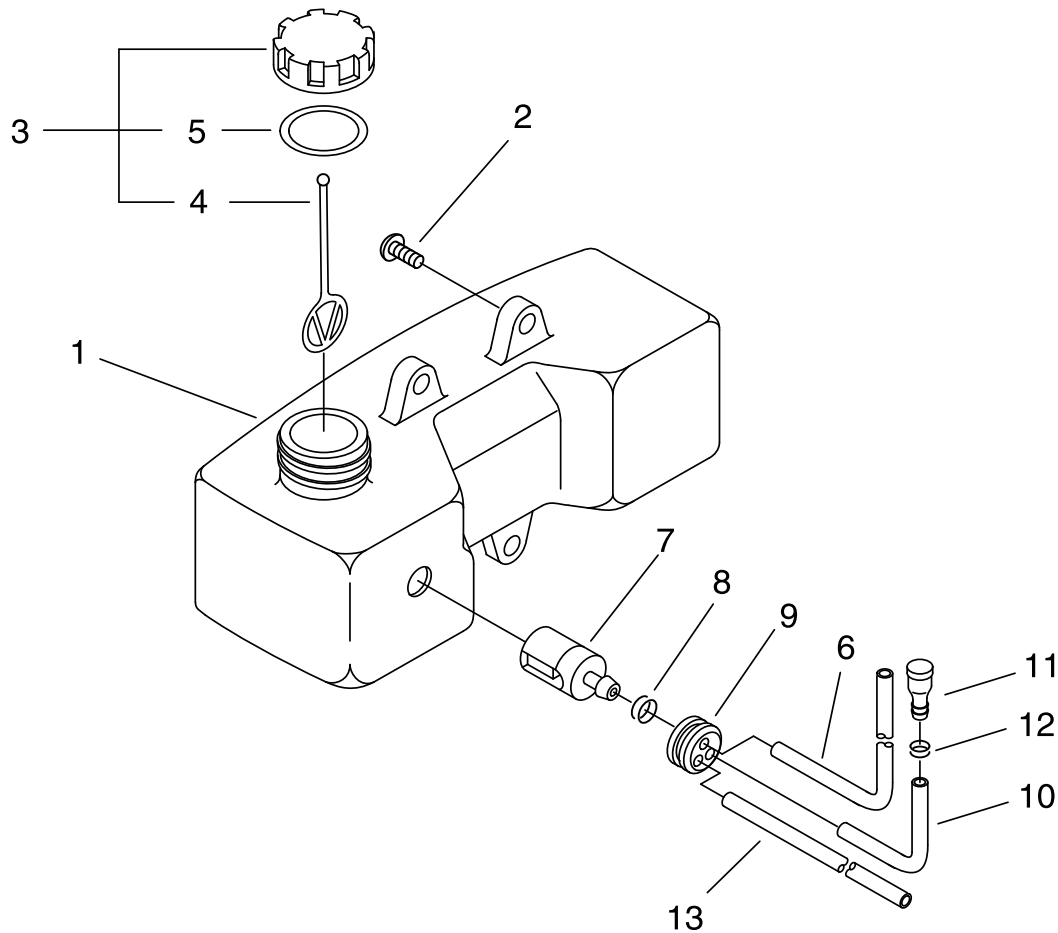
KEY	LV	PART NUMBER	Q'TY	DESCRIPTION	REMARKS	NOTE1	NOTE2
27		175019-11520	1	PLATE, CLUTCH			
28		175010-04635	1	DRUM, CLUTCH			
29		900238-06012	1	SCREW 6*12	6*12		
30		900600-00010	1	WASHER 10	10		
31		900808-36000	1	BEARING, BALL 6000	6000VV/C3		
32		175044-04630	1	WASHER, CLUTCH			
33		175014-11520	1	WASHER, CLUTCH	6.2*13*1.6		
34		610223-11520	1	CASE, CLUTCH			
35		900238-04018	2	SCREW 4*18	4*18		
36		130416-11520	1	BOLT	5*25		

3. AIR CLEANER, MUFFLER



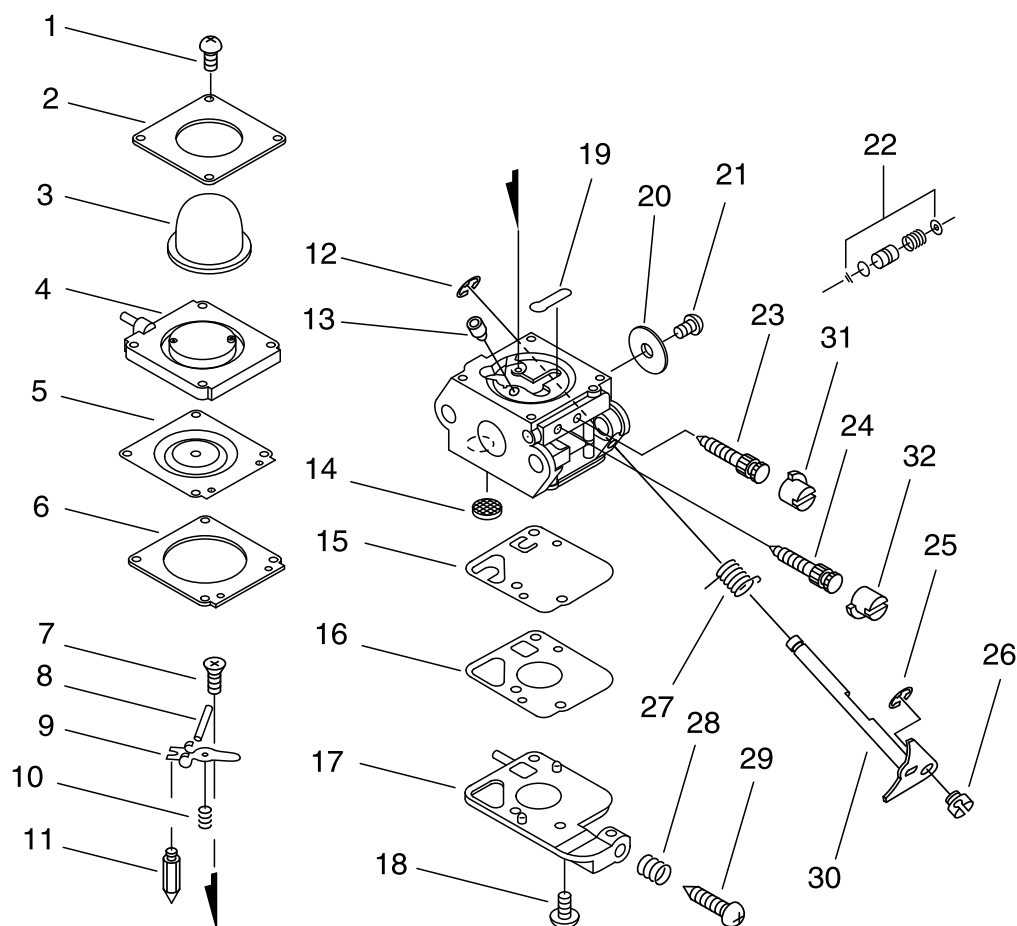
KEY	LV	PART NUMBER	Q'TY	DESCRIPTION	REMARKS	NOTE1	NOTE2
1		125200-13126	1	CARBURETOR	C1U-K54A		
2		130016-42031	1	GASKET, INTAKE			
3		130301-04560	1	CASE, AIR CLEANER			
4	+	178810-05230	1	GROMMET			
5		178515-04560	1	SHUTTER, CHOKE			
6		178516-00830	1	SPACER	5.2*8*0.8T		
7		900242-05057	2	SCREW 5*57	5*57		
8		130017-42031	1	INSULATOR, INTAKE			
9		900238-05020	2	SCREW 5*20	5*20		
10		900500-00005	2	NUT 5	5		
11		130010-42032	1	GASKET,INTAKE			
12		178510-04560	1	ROD, CHOKE			
13		130410-05360	1	BRACKET, AIR CLEANER			
14		900528-00005	1	NUT	5		
15		130310-04560	1	FILTER, AIR			
16		130326-11522	1	COVER, AIR CLEANER			
17		890121-47530	1	LABEL, CHOKE			
18		145810-11520	1	MUFFLER			
19		145863-11520	1	HOLDER, SCREEN			
20		145876-42030	1	LID, MUFFLER (B)			
21		900242-04010	3	SCREW 4*10	4*10		
22		145862-40630	1	SCREEN, MUFFLER			
23		145866-42031	1	GASKET, MUFFLER LID			
24		V104-000590	1	GASKET,EXHAUST			
25		900105-05050	2	BOLT, H.S. 5*50	5*50		
26		900600-00005	2	WASHER 5	5		

4. FUEL TANK



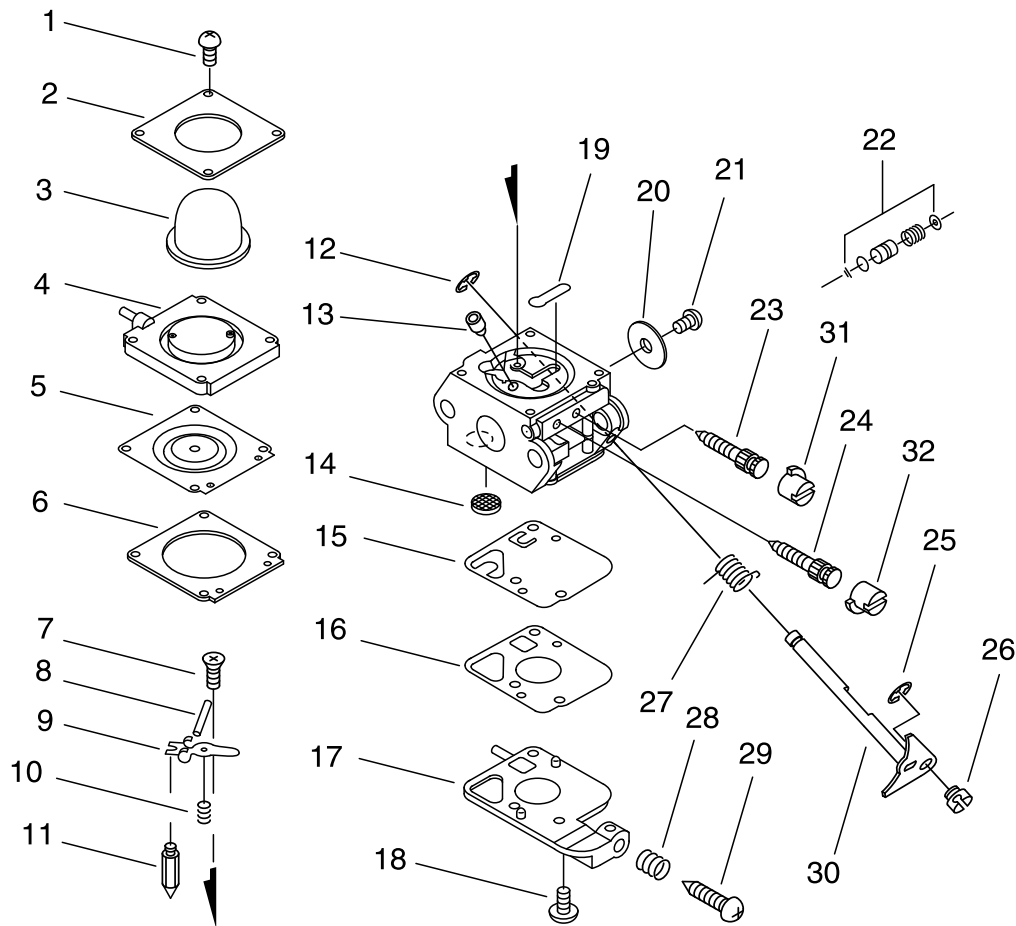
KEY	LV	PART NUMBER	Q'TY	DESCRIPTION	REMARKS	NOTE1	NOTE2
1		131005-11821	1	TANK, FUEL			
2		900275-05015	3	SCREW 5*15	5*15		
3		131004-09060	1	CAP ASSY, FUEL TANK			
4	+	131051-56030	1	CLIP, FUEL CAP	100L		
5	+	131016-55830	1	GASKET, FUEL CAP			
6		V471-001230	1	PIPE	3*5*210 NBR		
7		131205-07320	1	STRAINER, FUEL			
8		132013-09820	1	CLIP	6MM		
9		132115-46730	1	GROMMET, FUEL			
10		V471-001200	1	PIPE	3*5*70 NBR		
11		131300-56431	1	VENT ASSEMBLY, FUEL			
12		130111-00530	1	CLIP	5.5		
13		132010-49030	1	PIPE, 3*6*50	3*6*50 YL		

5. CARBURETOR



KEY	LV	PART NUMBER	Q'TY	DESCRIPTION	REMARKS	NOTE1	NOTE2
1		P005-000980	4	SCREW			
2		P005-000620	1	RETAINER			
3		125381-08660	1	PUMP, PRIMING			
4		P005-000970	1	BASE, PRIMER			
5		125341-07360	1	DIAPHRAGM			
6		125340-20560	1	GASKET, DIAPHRAGM			
7		125339-42030	1	SCREW			
8		125338-13930	1	PIN, METERING ARM			
9		125323-42030	1	LEVER, METERING			
10		125322-42030	1	SPRING, COIL			
11		125337-06960	1	VALVE, INLET NEEDLE			
12		125327-15130	1	CLIP			
13		125376-13120	1	NOZZLE, CHECK VALVE			
14		125326-42030	1	STRAINER			
15		125312-12820	1	DIAPHRAGM, FUEL PUMP			
16		125325-13310	1	GASKET, PUMP			
17		125324-12820	1	COVER, PUMP			
18		125310-12820	2	SCREW			
19		125345-15130	1	PLUG, WELCH			
20		125316-49030	1	VALVE, THROTTLE			
21		125314-13930	1	SCREW	3*4		
22		125306-13120	1	PUMP KIT, ACC.			
23		125318-13120	1	SCREW, IDLE NEEDLE			
24		125320-13310	1	NEEDLE, HIGH SPEED			
25		125327-13930	1	CLIP			
26		125372-42030	1	SWIVEL			

5. CARBURETOR



KEY	LV	PART NUMBER	Q'TY	DESCRIPTION	REMARKS	NOTE1	NOTE2
27		125313-42030	1	SPRING, THRT. RETURN			
28		125333-06960	1	SPRING, IDLE ADJUSTER			
29		125334-06960	1	SCREW, THROTTLE ADJUST			
30		P005-001070	1	SHAFT, THROTTLE			
31		125329-09860	1	LIMITER, MIXTURE			
32		125329-39030	1	LIMITER, MIXTURE			

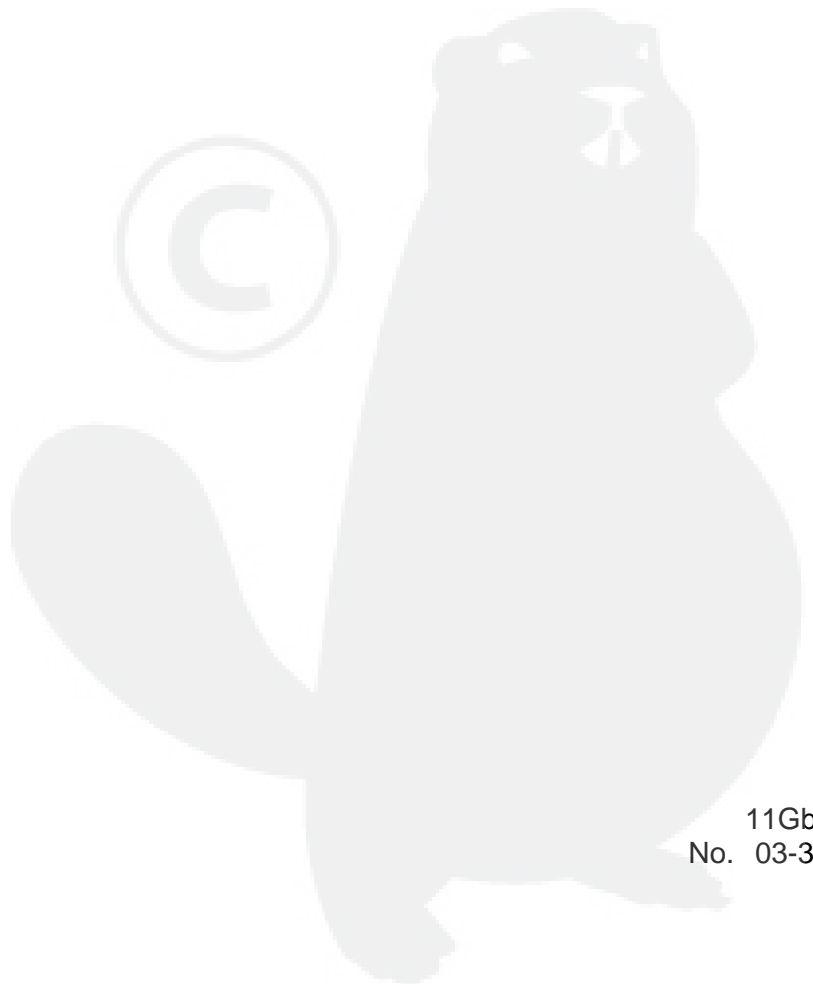
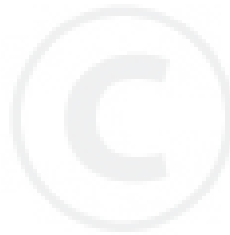
Index

Patrs Number	Key No.	Patrs Number	Key No.	Patrs Number	Key No.
100013-11520	1 - 7	131051-56030	4 - 4	900242-05057	3 - 7
100014-08960	1 - 9	131205-07320	4 - 7	900275-05015	4 - 2
100015-04630	1 - 10	131300-56431	4 - 11	900500-00005	3 - 10
100113-05930	1 - 8	132010-49030	4 - 13	900528-00005	3 - 14
100204-11521	1 - 11	132013-09820	4 - 8	900600-00005	3 - 26
100212-42031	1 - 15	132115-46730	4 - 9	900600-00010	2 - 30
100215-03930	1 - 13	145810-11520	3 - 18	900605-00008	2 - 13
100242-42030	1 - 16	145862-40630	3 - 22	900808-36000	2 - 31
125200-13126	3 - 1	145863-11520	3 - 19	91113-04020	2 - 19
125306-13120	5 - 22	145866-42031	3 - 23	94035-36201	1 - 14
125310-12820	5 - 18	145876-42030	3 - 20	A011-000441	1 - 1
125312-12820	5 - 15	156110-04920	2 - 14	A051-000950	2 - 1
125313-42030	5 - 27	159011-03432	2 - 22	A101-000090	1 - 6
125314-13930	5 - 21	159012-01620	2 - 21	A130-000550	1 - 2
125316-49030	5 - 20	162021-52830	2 - 18	A160-000610	1 - 17
125318-13120	5 - 23	175000-07531	2 - 23	A409-000150	2 - 15
125320-13310	5 - 24	175009-05131	2 - 26	A411-000130	2 - 16
125322-42030	5 - 10	175010-04635	2 - 28	A425-000000	2 - 20
125323-42030	5 - 9	175014-11520	2 - 33	P005-000620	5 - 2
125324-12820	5 - 17	175016-05020	2 - 24	P005-000970	5 - 4
125325-13310	5 - 16	175018-05130	2 - 25	P005-000980	5 - 1
125326-42030	5 - 14	175019-11520	2 - 27	P005-001070	5 - 30
125327-13930	5 - 25	175044-04630	2 - 32	P021-007772	1 - 5
125327-15130	5 - 12	177202-12220	2 - 10	V100-000160	1 - 4
125329-09860	5 - 31	177215-44430	2 - 3	V104-000590	3 - 24
125329-39030	5 - 32	177218-44330	2 - 11	V471-001200	4 - 10
125333-06960	5 - 28	177220-42030	2 - 2	V471-001230	4 - 6
125334-06960	5 - 29	177226-05530	2 - 5	V475-002200	2 - 17
125337-06960	5 - 11	177227-42030	2 - 6		
125338-13930	5 - 8	177228-11120	2 - 7		
125339-42030	5 - 7	177234-12220	2 - 12		
125340-20560	5 - 6	177236-44330	2 - 4		
125341-07360	5 - 5	177246-11120	2 - 8		
125345-15130	5 - 19	178510-04560	3 - 12		
125372-42030	5 - 26	178515-04560	3 - 5		
125376-13120	5 - 13	178516-00830	3 - 6		
125381-08660	5 - 3	178810-05230	3 - 4		
130010-42032	3 - 11	610223-11520	2 - 34		
130016-42031	3 - 2	610325-02730	1 - 19		
130017-42031	3 - 8	890121-47530	3 - 17		
130111-00530	4 - 12	900105-05050	3 - 25		
130301-04560	3 - 3	900162-05022	1 - 3		
130310-04560	3 - 15	900162-05028	1 - 12		
130326-11522	3 - 16	900238-04016	2 - 9		
130410-05360	3 - 13	900238-04018	1 - 18		
130416-11520	2 - 36	900238-04018	2 - 35		
131004-09060	4 - 3	900238-05020	3 - 9		
131005-11821	4 - 1	900238-06012	2 - 29		
131016-55830	4 - 5	900242-04010	3 - 21		

YAMABIKO CORPORATION

7-2 SUEHIROCHO 1-CHOME, OHME, TOKYO 198-8760, JAPAN
PHONE: 81-428-32-6118. FAX: 81-428-32-6145.

ECHO[®]



11Gb
No. 03-331