

# MTA-DPP

Serial Number

35000001-35999999

Last updated date

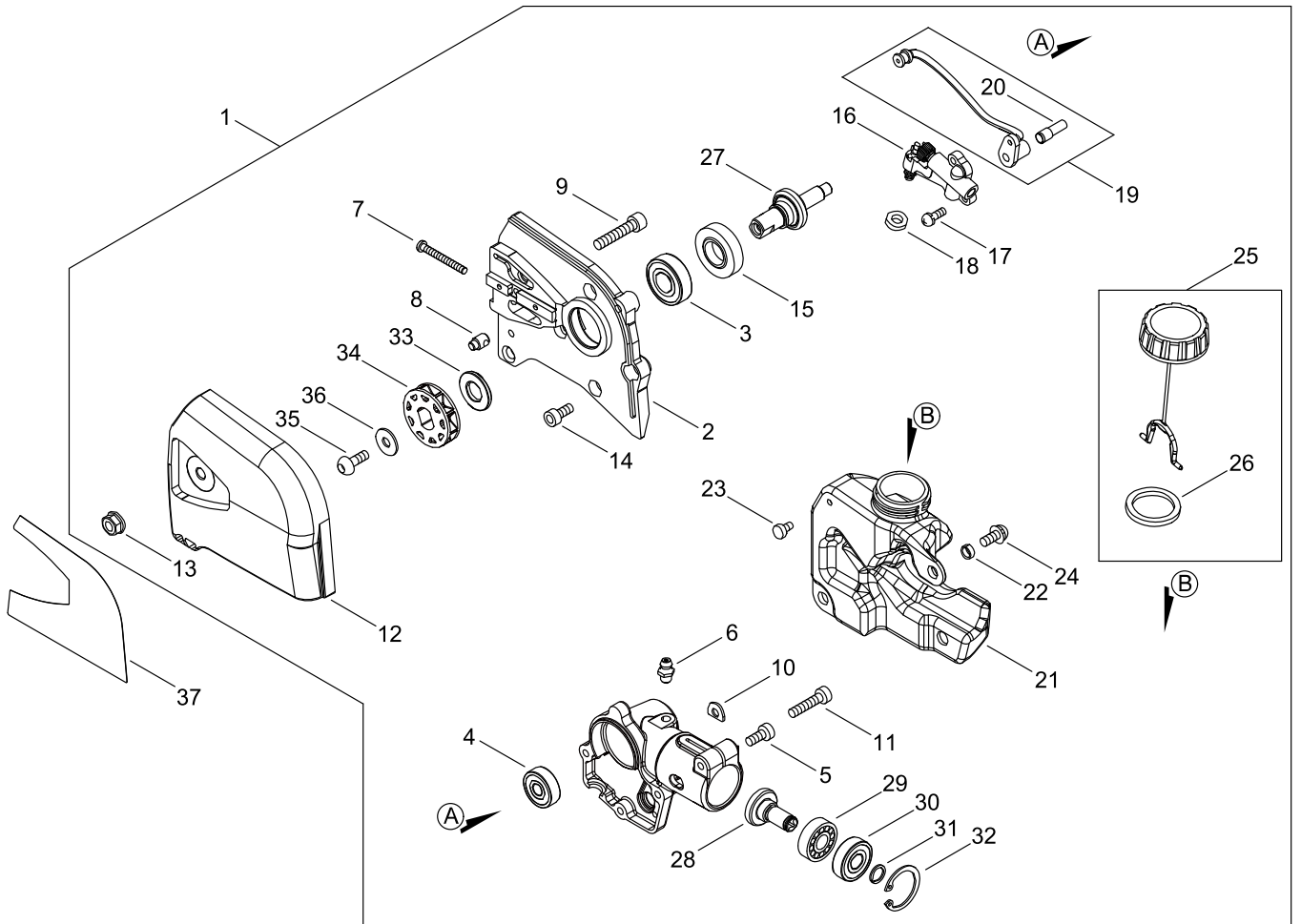
01/Apr/2021

## TABLE OF CONTENTS

---

GEAR CASE .....	1
MAIN PIPE .....	3
ACCESSORIES .....	5

# GEAR CASE



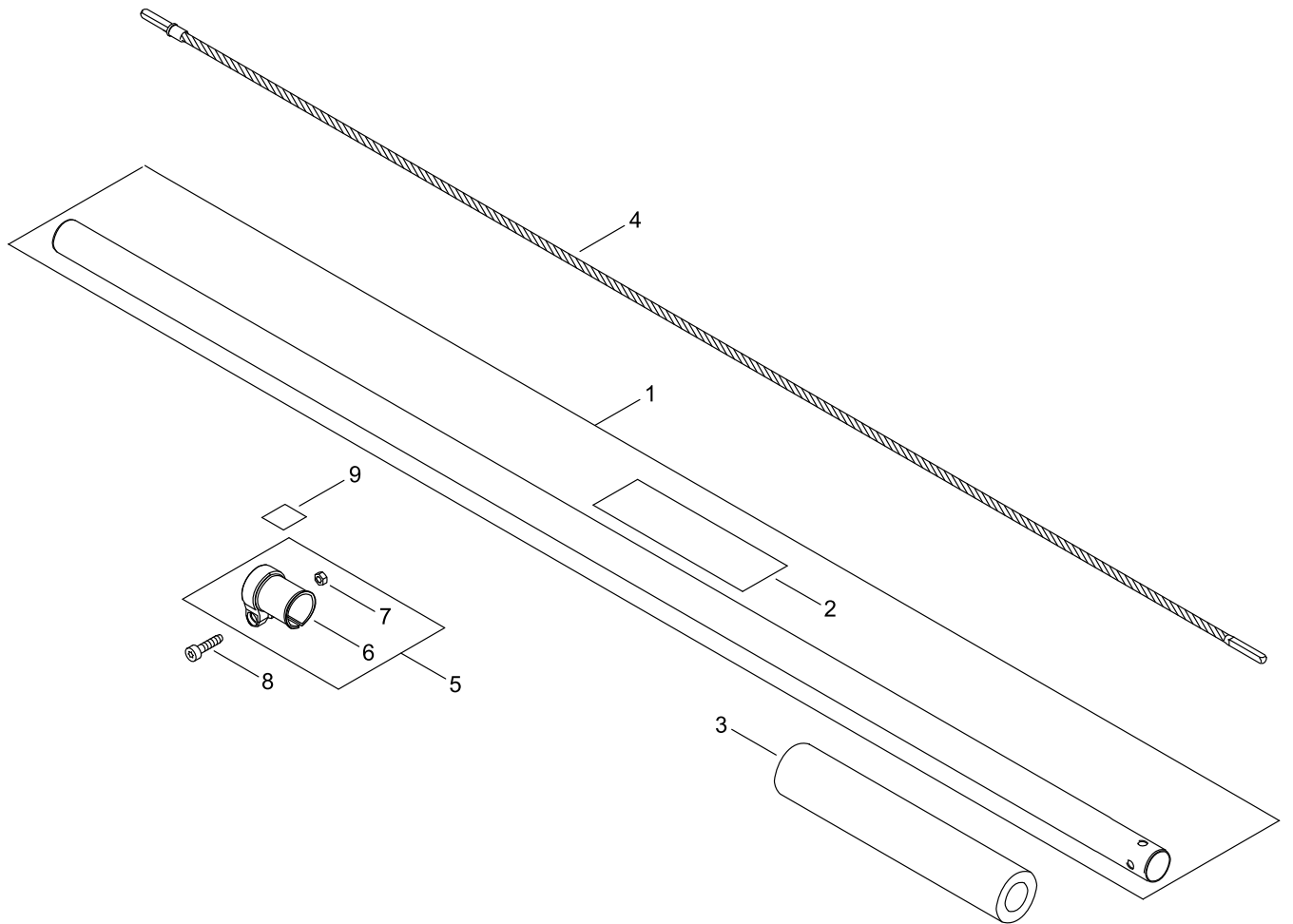
## GEAR CASE

Key No.	LV (+)	Parts Number	Parts Description	Qty	Standard	Class
1		P100-011060	CASE ASY, GEAR	1		
2	+	C531-000530	GEAR CASE LEFT	1		C
3	+	900802-06001	BEARING, BALL	1	6001LLU(DDU)	
4	+	900814-00627	BEARING, BALL	1	627ZZ	
5	+	V805-000140	BOLT, TORX 5	1	TB-5*12 10.9	C
6	+	V187-000080	GREASE NIPPLE	1		C
7	+	V252-000110	SCREW ADHESIVE	1		C
8	+	C309-000080	SLIDE PIECE	1		C
9	+	91100-06030	BOLT HSH	1	6*30	
10	+	V340-000300	SHIM	1		C
11	+	V805-000170	BOLT, TORX 5	1	TB-5*25 10.9	C
12	+	C300-000941	GUARD, SPROCKET	1		C
13	+	V264-000270	NUT FLANGE	1		C
14	+	900105-05012	BOLT HSH	4	5*12	
15	+	V652-000090	WORM GEAR	1		B
16	+	C022-000121	AUTO-OILER ASSEMBLY	1		C
17	+	91573-04010	SCREW	2	4*10	
18	+	V111-000051	GASKET, PUMP CASE	1		A
19	+	P021-028850	OIL PIPE ASSY	1		
20	+	C209-000040	FILTER	1		B
21	+	C200-000120	OIL TANK	1		D
22	+	V354-000250	COLLAR	2		C
23	+	A356-000130	VALVE, CHECK	1		B
24	+	91577-05012	SCREW	2	5*12	
25	+	C020-000011	CAP, OIL	1		B
26	++	V106-000240	GASKET, CIRCULAR	1		A
27	+	C053-000000	GEAR SHAFT	1		D
28	+	V651-001120	GEAR, BEVEL	1		D
29	+	900800-00609	BEARING, BALL	1	609	
30	+	900804-00609	BEARING, BALL	1	609ZZ	
31	+	900706-00009	RETAINING RING	1	WR-9	
32	+	900702-00025	RETAINING RING	1	CR-25	
33	+	V357-000190	COLLAR	1		C
34	+	A560-000000	SPROCKET	1	25AP(1/4")9㍻18°	B
35	+	91142-06014	BOLT HS, BUTTON	1	6*14	
36	+	V304-000240	WASHER	1		C
37		X505-010280	LABEL, CAUTION	1		D

Class : Consumable class

A:Fast moving parts B:Semi-fast moving parts C:Slow moving parts D:Order only as needed

# MAIN PIPE



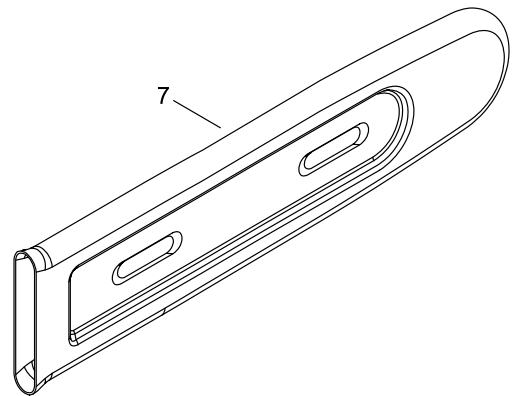
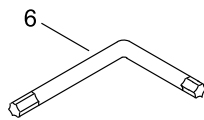
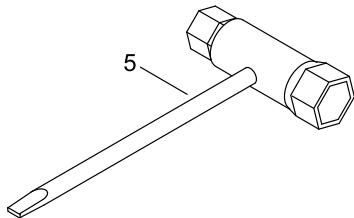
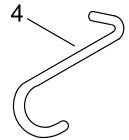
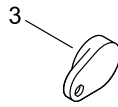
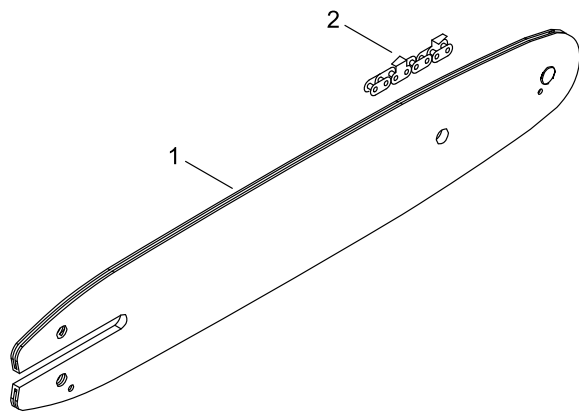
## MAIN PIPE

Key No.	LV (+)	Parts Number	Parts Description	Qty	Standard	Class
1		P100-011070	MAIN PIPE ASY	1		
2	+	X505-011620	LABEL,CAUTION	1		
3		351012-21560	GRIP, HANDLE	1		C
4		C506-000530	SHAFT, FLEXIBLE	1	L:43.58"/ 1107MM	B
5		V495-003650	BAND	1		C
6	+	V495-001060	BAND	1		C
7	+	900500-00005	NUT	1	5	
8		V805-000160	BOLT, TORX 5	1	TB-5*20 10.9	C
9		X505-003510	LABEL CAUTION	1		D

Class : Consumable class

A:Fast moving parts B:Semi-fast moving parts C:Slow moving parts D:Order only as needed

# ACCESSORIES



## ACCESSORIES

Key No.	LV (+)	Parts Number	Parts Description	Qty	Standard	Class
1		X121-000290	BAR,GUIDE 25	1	T25SA4-60SA-ED	
2		X201-000020	CHAIN,SAW	1	A4S-60E ECHO	A
3		C525-000012	CAP,MAIN PIPE	1	25MM PIPE	D
4		C649-000121	HOOK	1	8 DEGREE BEND	D
5		X602-000190	PLUG WRENCH	1		D
6		X605-000170	TOOL,L WRENCH	1		D
7		X490-000920	SCABBARD,CHAIN	1		D

Class : Consumable class

A:Fast moving parts B:Semi-fast moving parts C:Slow moving parts D:Order only as needed



# NUMERICAL PARTS INDEX

Part No	Part description	Page	Part No	Part description	Page
351012-21560	GRIP, HANDLE	4	X121-000290	BAR,GUIDE 25	6
900105-05012	BOLT HSH	2	X201-000020	CHAIN,SAW	6
900500-00005	NUT	4	X490-000920	SCABBARD,CHAIN	6
900702-00025	RETAINING RING	2	X505-003510	LABEL CAUTION	4
900706-00009	RETAINING RING	2	X505-010280	LABEL,CAUTION	2
900800-00609	BEARING, BALL	2	X505-011620	LABEL,CAUTION	4
900802-06001	BEARING, BALL	2	X602-000190	PLUG WRENCH	6
900804-00609	BEARING, BALL	2	X605-000170	TOOL,L WRENCH	6
900814-00627	BEARING, BALL	2			
91100-06030	BOLT HSH	2			
91142-06014	BOLT HS, BUTTON	2			
91573-04010	SCREW	2			
91577-05012	SCREW	2			
A356-000130	VALVE,CHECK	2			
A560-000000	SPROCKET	2			
C020-000011	CAP,OIL	2			
C022-000121	AUTO-OILER ASSEMBLY	2			
C053-000000	GEAR SHAFT	2			
C200-000120	OIL TANK	2			
C209-000040	FILTER	2			
C300-000941	GUARD,SPROCKET	2			
C309-000080	SLIDE PIECE	2			
C506-000530	SHAFT, FLEXIBLE	4			
C525-000012	CAP,MAIN PIPE	6			
C531-000530	GEAR CASE LEFT	2			
C649-000121	HOOK	6			
P021-028850	OIL PIPE ASSY	2			
P100-011060	CASE ASY, GEAR	2			
P100-011070	MAIN PIPE ASY	4			
V106-000240	GASKET,CIRCULAR	2			
V111-000051	GASKET,PUMP CASE	2			
V187-000080	GREASE NIPPLE	2			
V252-000110	SCREW ADHESIVE	2			
V264-000270	NUT FLANGE	2			
V304-000240	WASHER	2			
V340-000300	SHIM	2			
V354-000250	COLLAR	2			
V357-000190	COLLAR	2			
V495-001060	BAND	4			
V495-003650	BAND	4			
V651-001120	GEAR,BEVEL	2			
V652-000090	WORM GEAR	2			
V805-000140	BOLT, TORX 5	2			
V805-000160	BOLT, TORX 5	4			
V805-000170	BOLT, TORX 5	2			