



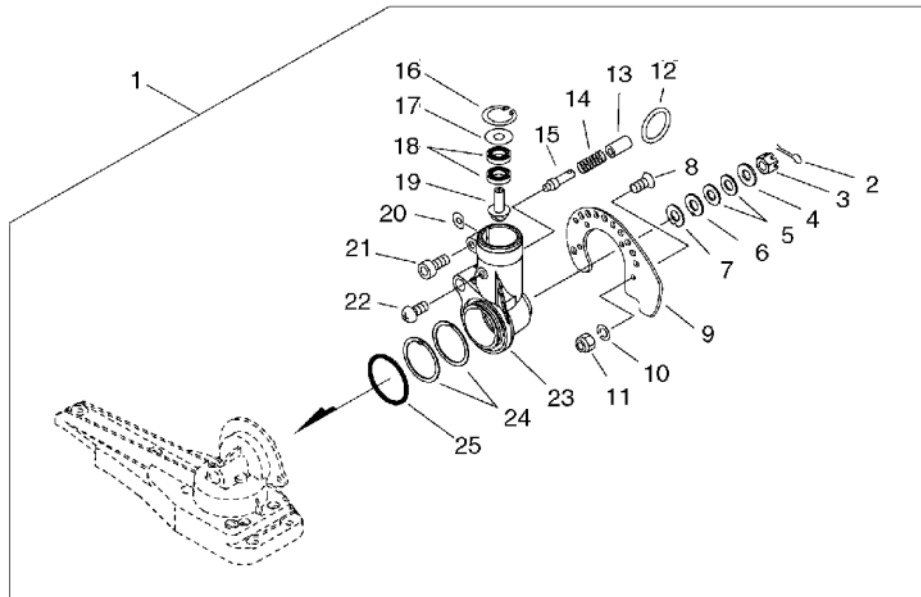
PARTS CATALOGUE

TRIMMER / BRUSHCUTTER ACCESSORY

HCAA-2401A(35)

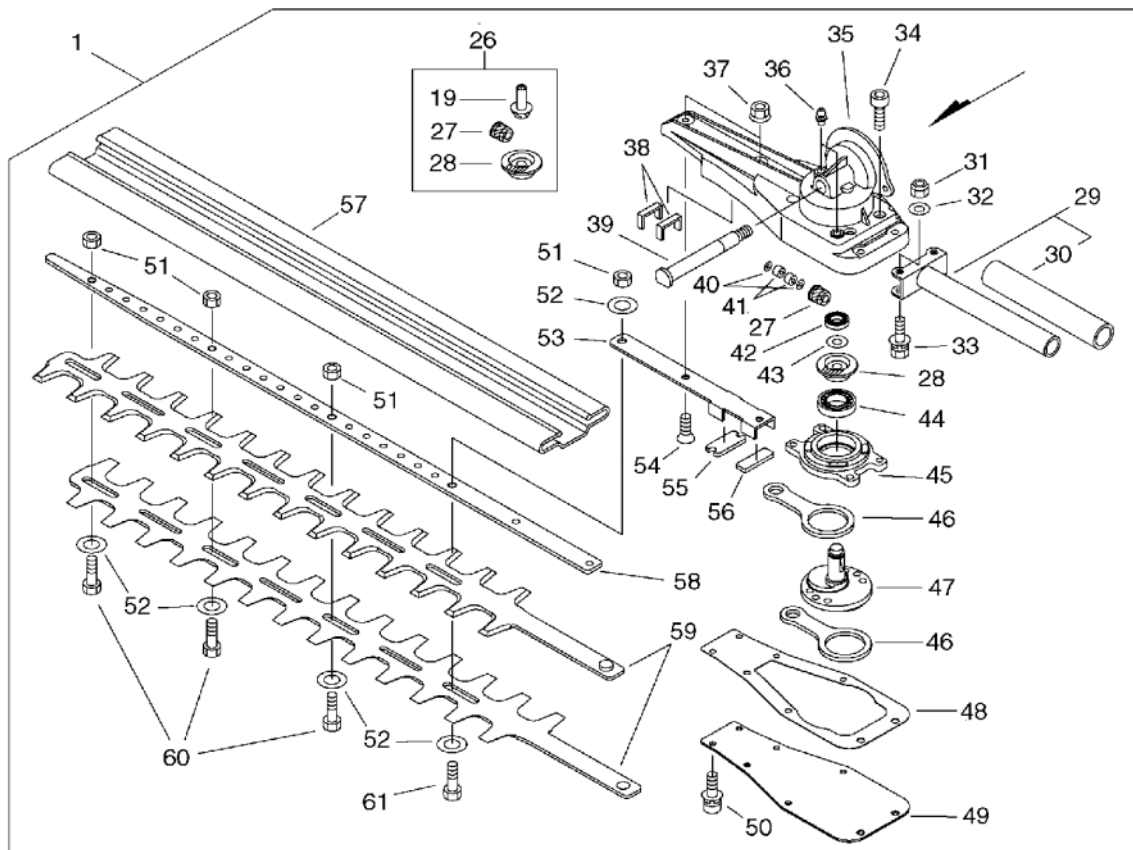
35005001 -

1-1. GEAR CASE, CUTTER



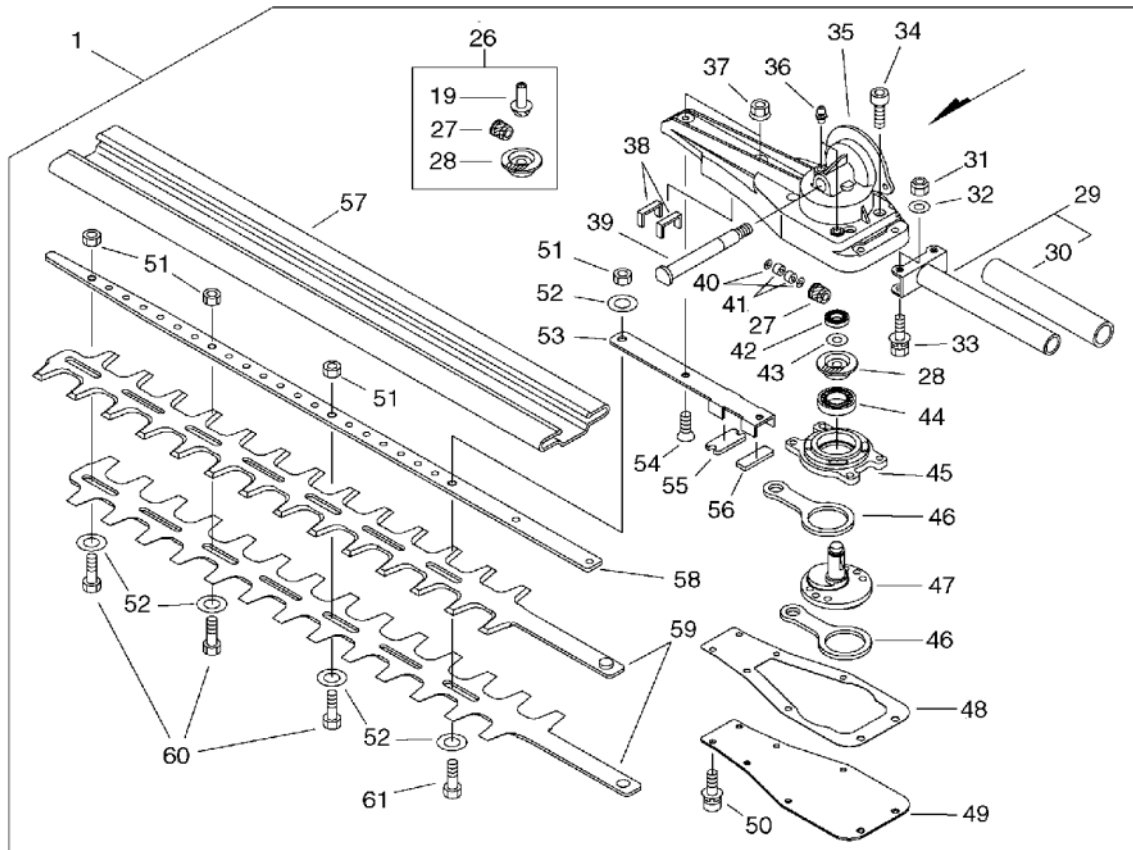
KEY	LV	PART NUMBER	Q'TY	DESCRIPTION	REMARKS	NOTE1	NOTE2
1		P021-010466	1	CASE ASY, GEAR			
2	+	93000-16180	1	PIN SPLIT	P-1.6*18		
3	+	900529-00008	1	NUT, SLOTT 8			
4	+	V306-000140	1	WASHER,CIRCULAR 8			
5	+	V347-000010	2	WASHER,CONICAL			
6	+	V340-000110	1	WASHER			
7	+	V110-000040	1	GASKET,GEAR CASE	CIRCULAR 17MM OD		
8	+	900212-04012	2	SCREW 4*12	+SF4*12		
9	+	C465-000010	1	RESETTER, LATCH			
10	+	900605-00004	2	WASHER, SPRING 4	4		
11	+	900560-00004	2	LOCKNUT	4		
12	+	V583-000050	1	RING			
13	+	V355-000310	1	COLLAR,8			
14	+	V450-000420	1	SPRING,COMPRESSION			
15	+	V642-000020	1	PIN,LINCH			
16	+	900702-00022	1	CIRCLIP 22	CR-22		
17	+	V583-000060	1	RING			
18	+	900859-06900	2	BEARING, BALL 6900	6900		
20	+	V340-000170	1	WASHER			
21	+	900162-05025	1	BOLT, H.S. 5*25	5*25 W,SW		
22	+	900242-05012	1	SCREW 5*12	5*12		
23	+	C531-000292	1	CASE,GEAR			
24	+	V340-000120	2	WASHER			
25	+	900724-00032	1	O-RING	S-32		

1-2. GEAR CASE, CUTTER



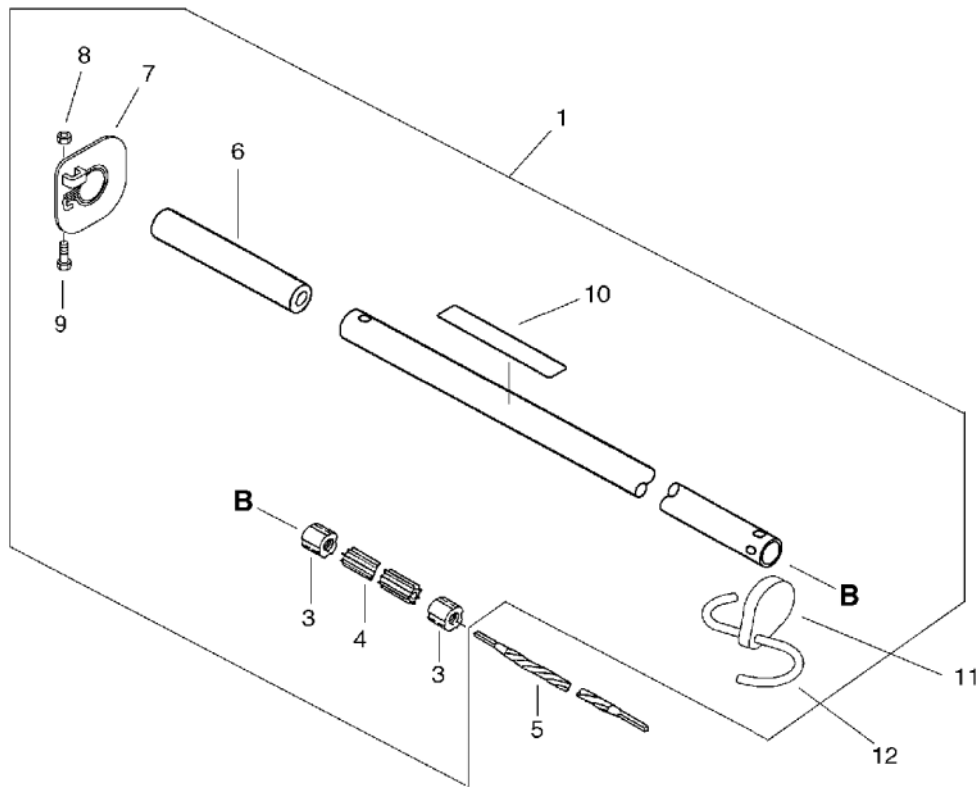
KEY	LV	PART NUMBER	Q'TY	DESCRIPTION	REMARKS	NOTE1	NOTE2
26	+	P021-010690	1	BEVEL GEAR SET			
19	++	V651-000240	1	GEAR,BEVEL	12 TEETH		
27	++	V651-000250	1	GEAR,BEVEL	25 TEETH		
28	++	V651-000260	1	GEAR,BEVEL	35 TEETH		
29	+	351305-12360	1	HANDLE			
30	++	351315-12360	1	GRIP, HANDLE	19*135		
31	+	900560-00005	2	NUT, LOCK 5	5		
32	+	900600-00005	2	WASHER 5	5		
33	+	900142-05028	2	BOLT 5*28 (W/W,SW)	5*28		
34	+	900105-05008	4	BOLT, H.S. 5*8	5*8		
35	+	C531-000302	1	CASE,GEAR	DRIVEN SIDE		
36	+	880110-10860	2	NIPPLE, GREASE			
37	+	900516-00005	2	NUT, FRANGE 5	5		
38	+	V541-000130	2	SEAL			
39	+	C534-000260	1	SHAFT,GEAR			
40	+	V307-000150	2	WASHER,CIRCULAR 10	10.2*15.5*T=1		
41	+	V555-000040	2	BEARING,NEEDLE 10			
42	+	900855-06900	1	BEARING, BALL 6900	6900		
43	+	V583-000040	1	RING			
44	+	900800-06001	1	BEARING, BALL 6001			
45	+	C503-000072	1	HOLDER,BEARING	28 BEARING SEAT		
46	+	C532-000140	2	ROD, CONNECTING	YAMASAKI		
46	+	C532-000120	2	ROD, CONNECTING			
47	+	C533-000041	1	CAM	HCA		

1-2. GEAR CASE, CUTTER



KEY	LV	PART NUMBER	Q'TY	DESCRIPTION	REMARKS	NOTE1	NOTE2
					HCA GEARCASE		
48	+	V110-000051	1	GASKET,GEAR CASE	LID		
49	+	C539-000010	1	LID,GEARCASE	HCA-260 G.C.		
50	+	900162-04014	6	BOLT, H.S. 4*14	4*14 W,SW		
51	+	433022-06460	4	NUT			
52	+	699118-04560	5	WASHER			
53	+	C538-000120	1	GUIDE,CUTTER			
54	+	900212-05020	2	SCREW 5*20	+SF5*20		
55	+	C538-000110	1	GUIDE,CUTTER			
56	+	C538-000100	1	GUIDE,CUTTER			
57	+	X495-000060	1	SCABBARD,BLADE	19.5		
58	+	X425-000220	1	SUPPORT,CUTTER	T=3.0		
59	+	X411-000350	2	CUTTER	L= 570		
60	+	699115-04660	3	BOLT 6	6*18L		
61	+	699115-07760	1	BOLT, CUTTER			

2. MAIN PIPE



KEY	LV	PART NUMBER	Q'TY	DESCRIPTION	REMARKS	NOTE1	NOTE2
1		C050-000860	1	PIPE, MAIN	25*T1.5*803		
3	+	610246-44730	2	STOPPER			
4	+	C507-000100	1	LINER, FLEXIBLE			
5	+	C506-000071	1	SHAFT, FLEXIBLE			
6	+	C403-000100	1	GRIP, HANDLE			
7	+	C440-000020	1	GUARD, HAND			
8	+	900500-00005	1	NUT 5	5		
9	+	900142-05020	1	BOLT 5*20 (W/W, SW)	5*20		
10	+	890617-12361	1	LABEL, CAUTION			
11		C525-000010	1	CAP, MAIN PIPE	25MM PIPE		
12		C649-000120	1	HOOK			

Index

Patrs Number	Key No.	Patrs Number	Key No.	Patrs Number	Key No.
351305-12360	## - 29	P021-010466	## - 1		
351315-12360	## - 30	P021-010690	## - 26		
433022-06460	## - 51	V110-000040	## - 7		
610246-44730	2 - 3	V110-000051	## - 48		
699115-04660	## - 60	V306-000140	## - 4		
699115-07760	## - 61	V307-000150	## - 40		
699118-04560	## - 52	V340-000110	## - 6		
880110-10860	## - 36	V340-000120	## - 24		
890617-12361	2 - 10	V340-000170	## - 20		
900105-05008	## - 34	V347-000010	## - 5		
900142-05020	2 - 9	V355-000310	## - 13		
900142-05028	## - 33	V450-000420	## - 14		
900162-04014	## - 50	V541-000130	## - 38		
900162-05025	## - 21	V555-000040	## - 41		
900212-04012	## - 8	V583-000040	## - 43		
900212-05020	## - 54	V583-000050	## - 12		
900242-05012	## - 22	V583-000060	## - 17		
900500-00005	2 - 8	V642-000020	## - 15		
900516-00005	## - 37	V651-000240	## - 19		
900529-00008	## - 3	V651-000250	## - 27		
900560-00004	## - 11	V651-000260	## - 28		
900560-00005	## - 31	X411-000350	## - 59		
900600-00005	## - 32	X425-000220	## - 58		
900605-00004	## - 10	X495-000060	## - 57		
900702-00022	## - 16				
900724-00032	## - 25				
900800-06001	## - 44				
900855-06900	## - 42				
900859-06900	## - 18				
93000-16180	## - 2				
C050-000860	2 - 1				
C403-000100	2 - 6				
C440-000020	2 - 7				
C465-000010	## - 9				
C503-000072	## - 45				
C506-000071	2 - 5				
C507-000100	2 - 4				
C525-000010	2 - 11				
C531-000292	## - 23				
C531-000302	## - 35				
C532-000120	## - 46				
C532-000140	## - 46				
C533-000041	## - 47				
C534-000260	## - 39				
C538-000100	## - 56				
C538-000110	## - 55				
C538-000120	## - 53				
C539-000010	## - 49				
C649-000120	2 - 12				

YAMABIKO CORPORATION

7-2 SUEHIROCHO 1-CHOME, OHME, TOKYO 198-8760, JAPAN
PHONE: 81-428-32-6118. FAX: 81-428-32-6145.



10Hb
No. 64-165