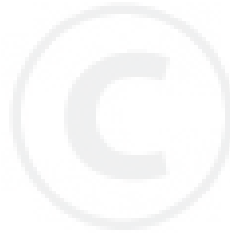




PARTS CATALOG

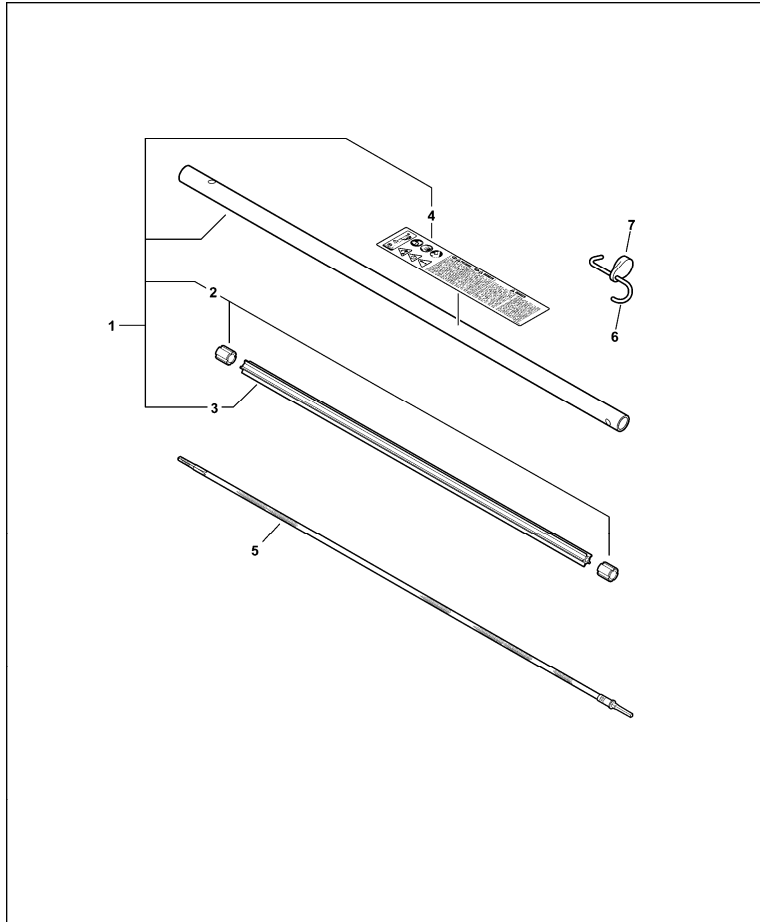
PAS ATTACHMENT

PAS-PROSWEEP(999442-00853)



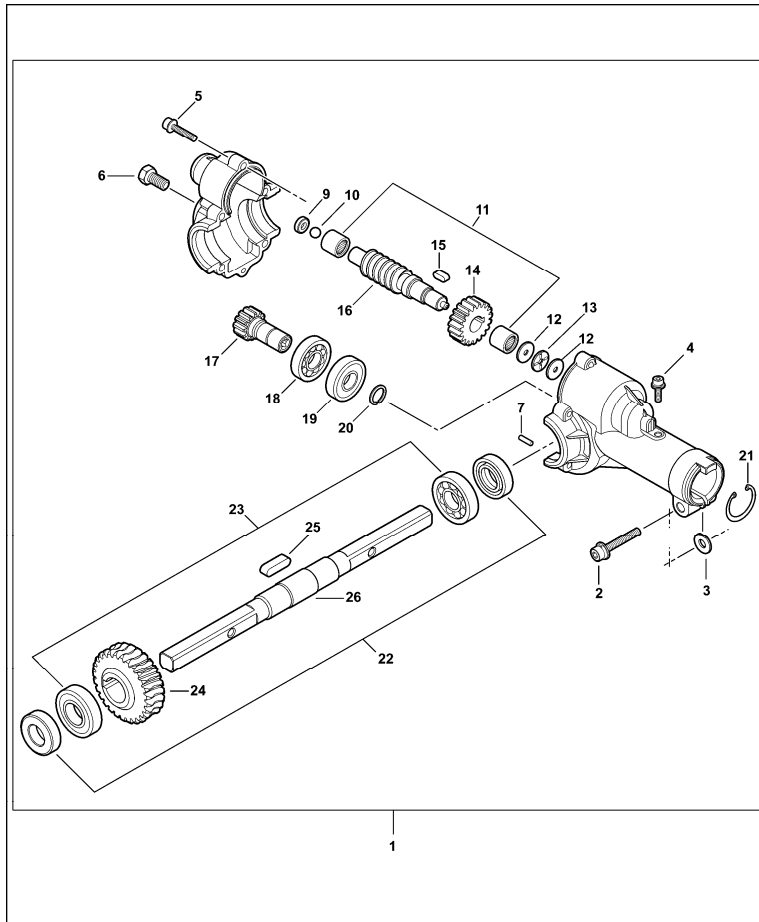
P014-000990-101b

1. MAIN PIPE



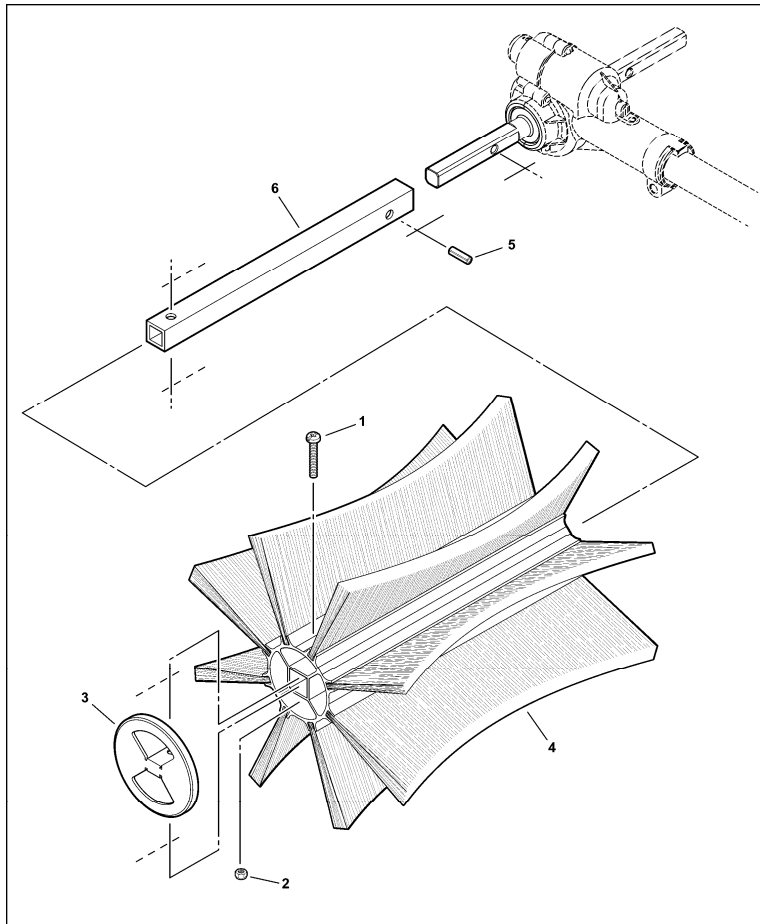
KEY	LV	PART NUMBER	Q'TY	DESCRIPTION	REMARKS	NOTE1	NOTE2
1		C050-001420	1	PIPE, MAIN			
2	+	610246-44730	2	STOPPER			
3	+	C507-000240	1	LINER, FLEXIBLE	21.6*643LNG		
4	+	890160-25560	1	LABEL, CAUTION			
5		C506-000002	1	SHAFT, FLEXIBLE			
6		C649-000120	1	HOOK			
7		C525-000010	1	CAP, MAIN PIPE	25MM PIPE		

2. GEAR CASE



KEY	LV	PART NUMBER	Q'TY	DESCRIPTION	REMARKS	NOTE1	NOTE2
1		C051-000300	1	CASE, GEAR			
2	+	900162-06030	1	BOLT, H.S. 6*30	6*30W, SW		
3	+	V340-000220	1	WASHER			
4	+	900162-05012	1	BOLT, H.S. 5*12	5*12 W, SW		
5	+	900162-05020	5	BOLT, H.S. 5*20	5*20 W, SW		
6	+	900100-08010	1	BOLT 8*10	8*10		
7	+	V622-000030	1	PIN, STRAIGHT 4			
9	+	V376-001040	1	SPACER			
10	+	V585-000030	1	BALL			
11	+	V555-000060	2	BEARING, NEEDLE 10			
12	+	V340-000230	2	WASHER			
13	+	V590-000010	1	BEARING, THRUST			
14	+	V650-000380	1	GEAR, SPUR			
15	+	V381-000010	1	KEY, WOODRUFF			
16	+	V652-000060	1	GEAR, WORM			
17	+	V650-000370	1	GEAR, SPUR			
18	+	900855-06901	1	BEARING, BALL 6901	6901		
19	+	900857-06901	1	BEARING, BALL 6901	6901LLU		
20	+	900706-00012	1	CIRCLIP 12	WR-12		
21	+	610335-21460	1	RING, RETAINING			
22	+	605416-11050	2	OILSEAL			
23	+	94003-06003	2	BEARING, BALL			
24	+	V653-000000	1	GEAR, WORM WHEEL			
25	+	V381-000000	1	KEY, WOODRUFF			
26	+	C534-000490	1	SHAFT, GEAR			

3. BRUSH



KEY	LV	PART NUMBER	Q'TY	DESCRIPTION	REMARKS	NOTE1	NOTE2
1		900220-05030	2	SCREW 5*30	5*30		
2		900560-00005	2	NUT, LOCK 5	5		
3		250230-25561	2	CAP,HOLDER			
4		250202-25662	2	BRUSH			
5		404523-25560	2	PIN,STRAIGHT			
6		C517-000070	2	COUPLING, SHAFT			

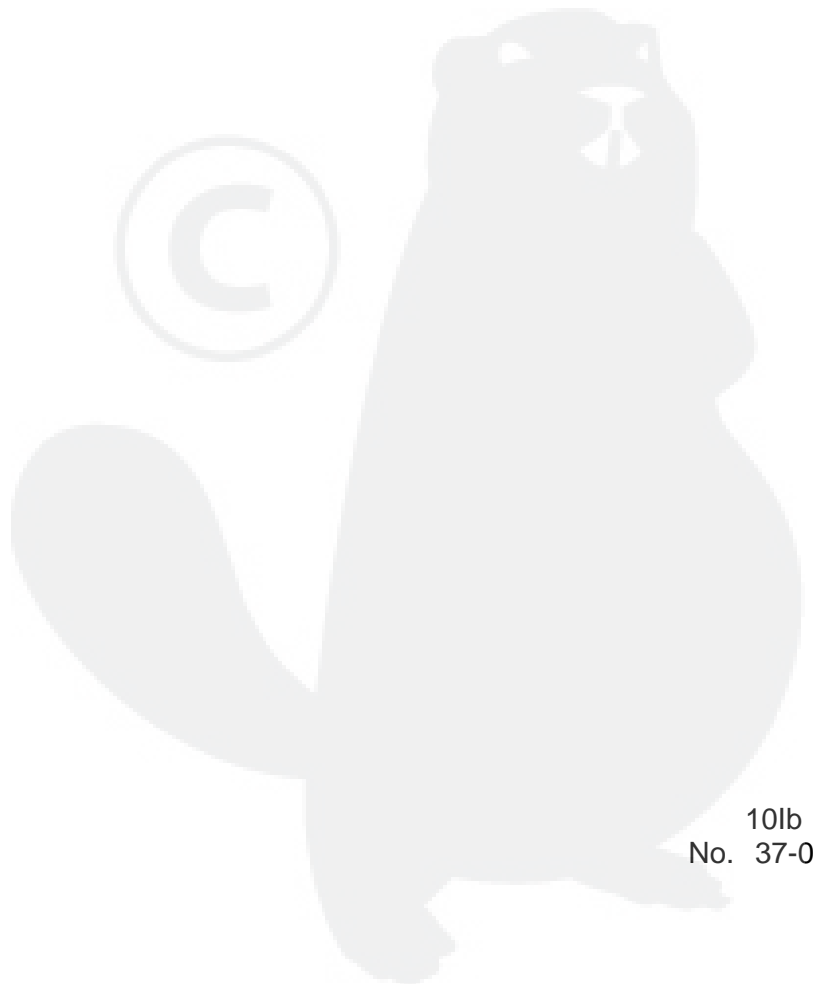
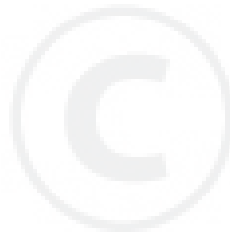
Index

Patrs Number	Key No.	Patrs Number	Key No.	Patrs Number	Key No.
250202-25662	3 - 4				
250230-25561	3 - 3				
404523-25560	3 - 5				
605416-11050	2 - 22				
610246-44730	1 - 2				
610335-21460	2 - 21				
890160-25560	1 - 4				
900100-08010	2 - 6				
900162-05012	2 - 4				
900162-05020	2 - 5				
900162-06030	2 - 2				
900220-05030	3 - 1				
900560-00005	3 - 2				
900706-00012	2 - 20				
900855-06901	2 - 18				
900857-06901	2 - 19				
94003-06003	2 - 23				
C050-001420	1 - 1				
C051-000300	2 - 1				
C506-000002	1 - 5				
C507-000240	1 - 3				
C517-000070	3 - 6				
C525-000010	1 - 7				
C534-000490	2 - 26				
C649-000120	1 - 6				
V340-000220	2 - 3				
V340-000230	2 - 12				
V376-001040	2 - 9				
V381-000000	2 - 25				
V381-000010	2 - 15				
V555-000060	2 - 11				
V585-000030	2 - 10				
V590-000010	2 - 13				
V622-000030	2 - 7				
V650-000370	2 - 17				
V650-000380	2 - 14				
V652-000060	2 - 16				
V653-000000	2 - 24				

YAMABIKO CORPORATION

7-2 SUEHIROCHO 1-CHOME, OHME, TOKYO 198-8760, JAPAN
PHONE: 81-428-32-6118. FAX: 81-428-32-6145.

ECHO[®]



10lb
No. 37-015