



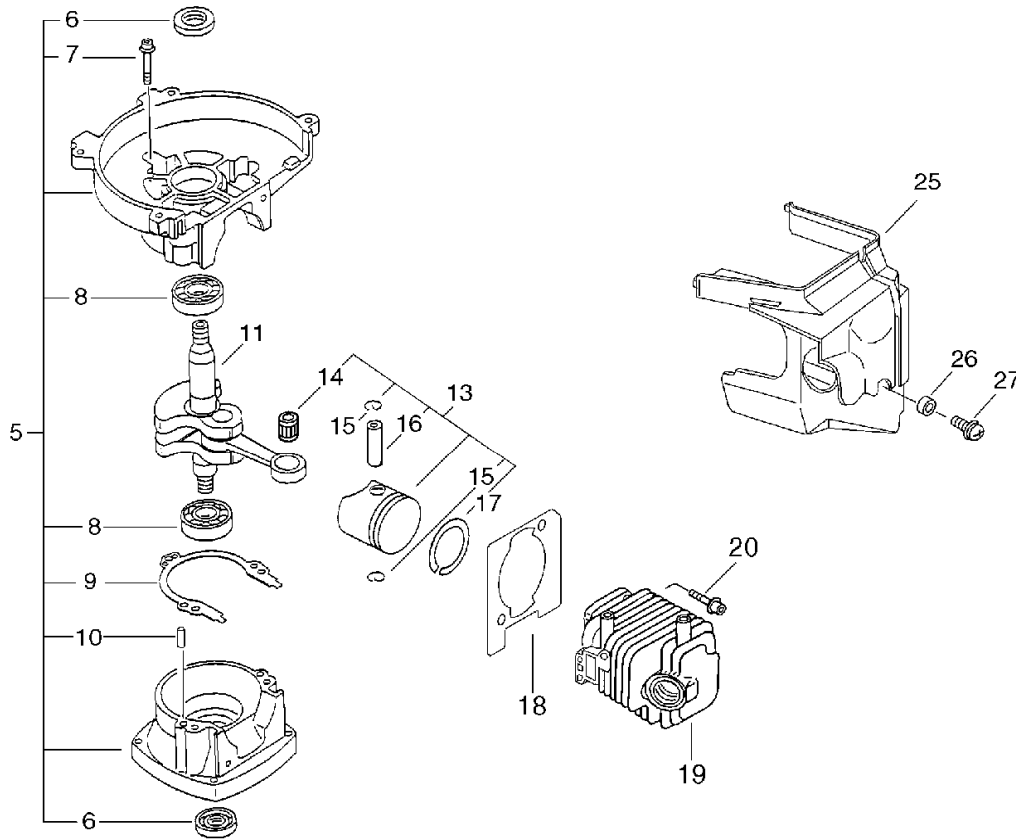
PARTS CATALOG

HEDGE TRIMMER HC-30ESW(35)(36)

- 36002665

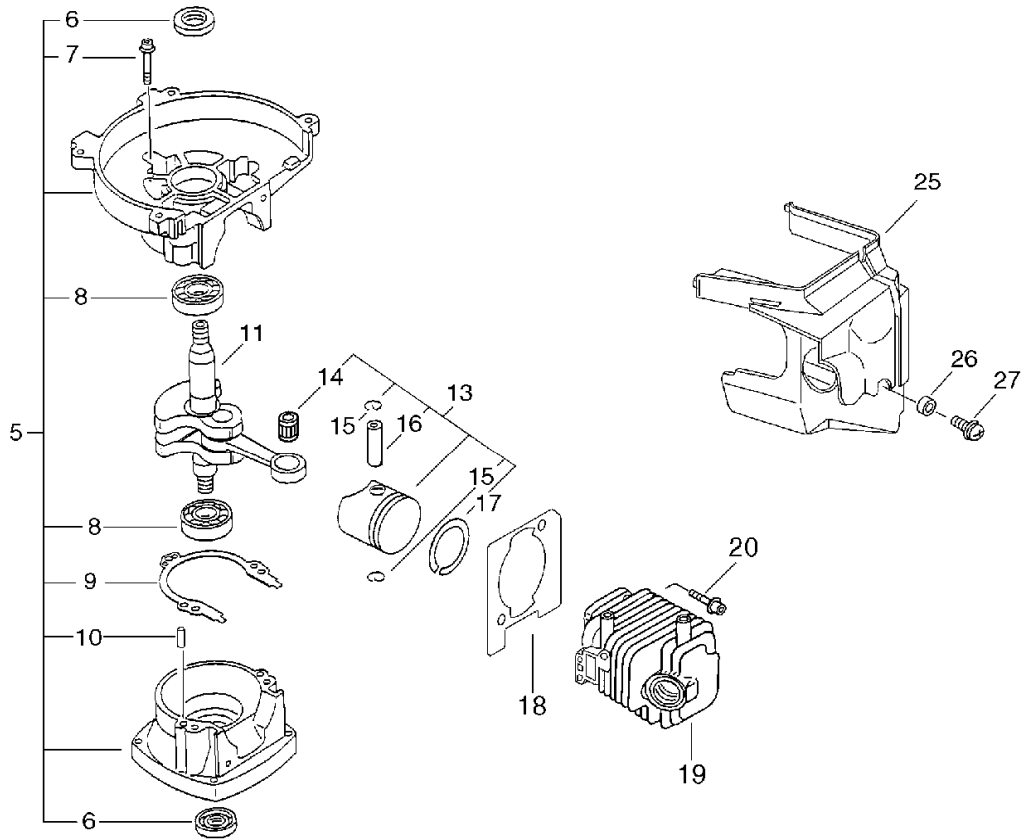
HC-30ESW(35)(36)

1. Cylinder, Crankcase, Piston(Sr/Nr 36002135 and before)



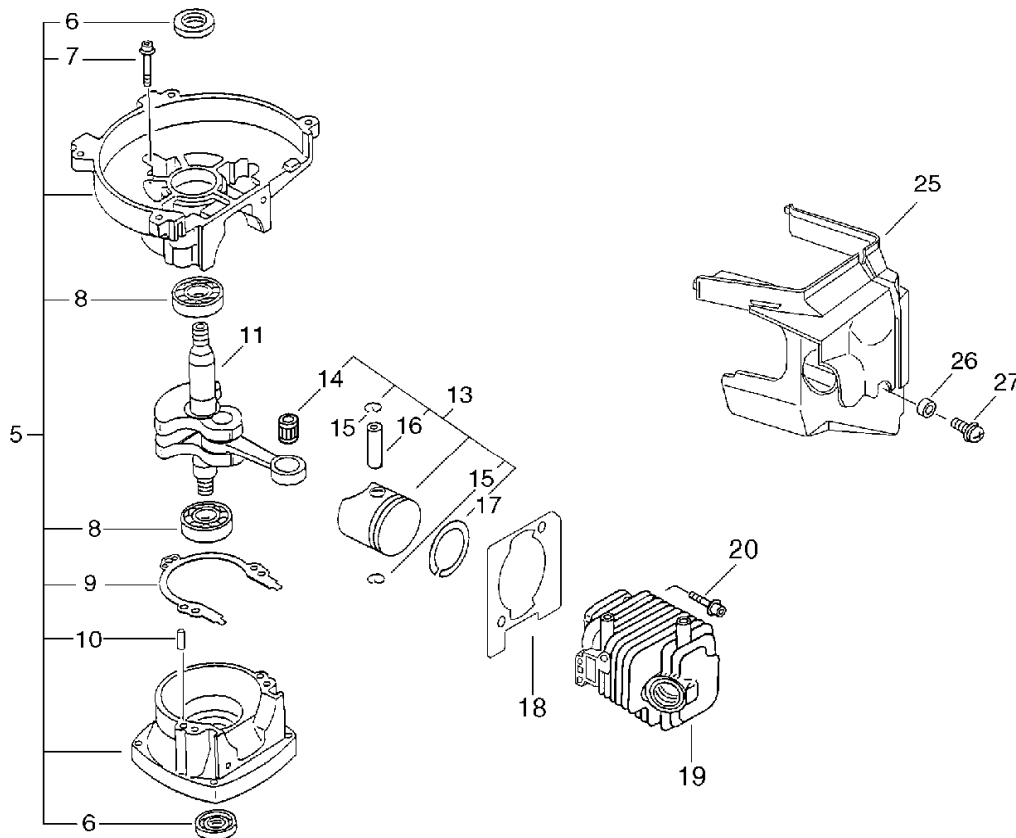
KEY	LV	PART NUMBER	Q'TY	DESCRIPTION	REMARKS	NOTE1	NOTE2
5		P021-003941	1	CRANK CASE SET			
6	+	100212-61830	2	OILSEAL	ISCD 10*20*5		
7	+	900162-05025	3	BOLT, H.S. 5*25	5*25 W,SW		
8	+	900810-36000	2	BEARING, BALL			
9	+	100242-61830	1	GASKET, CRANKCASE			
10	+	100215-03930	2	PIN, DOWEL			
11		A011-000180	1	CRANKSHAFT,ASM			
13		100000-61830	1	PISTON KIT		Sr/Nr 35001360 and before	
13		P021-008710	1	PISTON KIT		Sr/Nr 36001001 and after	
14	+	100012-61830	1	BEARING, NEEDLE			
15	+	100015-61830	2	RING, SNAP			
16	+	100013-61830	1	PIN, PISTON			
17	+	100011-05330	1	RING, PISTON		Sr/Nr 35001360 and before	
17	+	A101-000090	1	RING,PISTON		Sr/Nr 36001001 and after	
18		101010-61830	1	GASKET, CYL. BASE		Sr/Nr 35001360 and before	
18		V100-000120	1	GASKET,CYL		Sr/Nr 36001001 and after	
19		101011-61831	1	CYLINDER		Sr/Nr 35001360 and before	

1. Cylinder, Crankcase, Piston(Sr/Nr 36002135 and before)



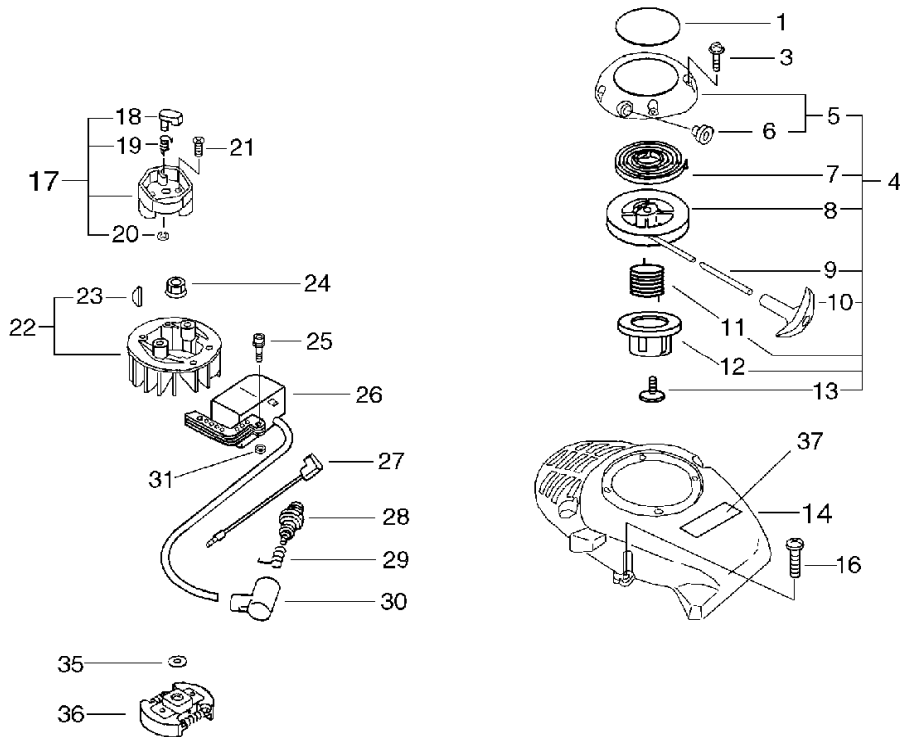
KEY	LV	PART NUMBER	Q'TY	DESCRIPTION	REMARKS	NOTE1	NOTE2
19		A130-000610	1	CYLINDER		Sr/Nr 36001001 to 36001150	
19		A130-000611	1	CYLINDER		Sr/Nr 36001151 and after	
20		900162-05020	2	BOLT, H.S. 5*20	5*20 W,SW		
25		A160-000380	1	COVER,CYLINDER			
26		150117-16430	1	SPACER		Sus. by V323-000060	
27		900239-05018	1	SCREW 5*18	5*18		

2. Cylinder, Crankcase, Piston(Sr/Nr 36002136 and after)



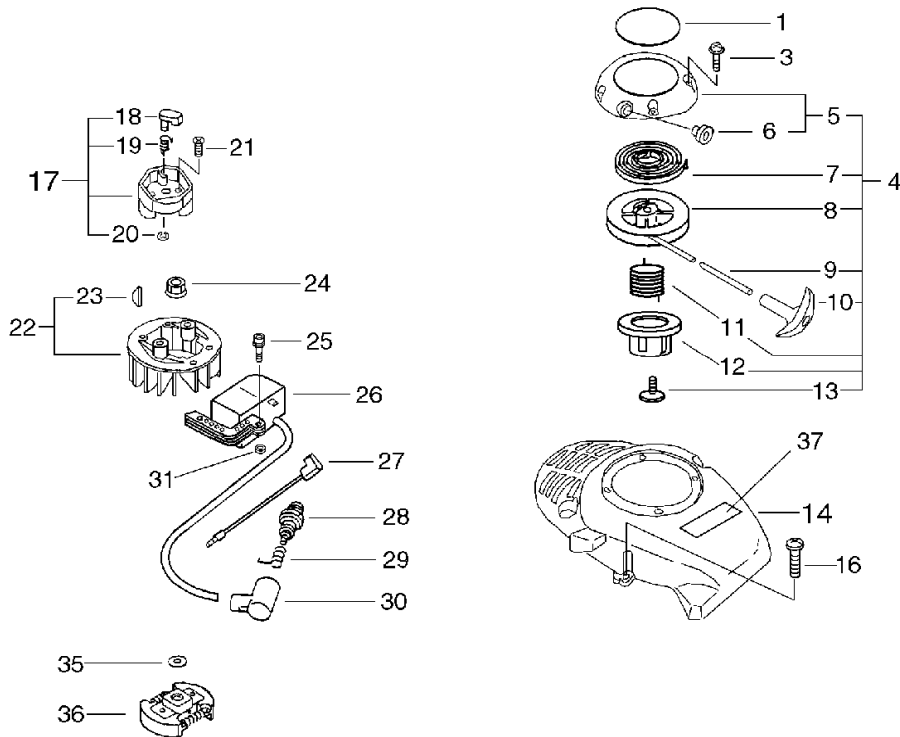
KEY	LV	PART NUMBER	Q'TY	DESCRIPTION	REMARKS	NOTE1	NOTE2
5		P021-003941	1	CRANK CASE SET			
6	+	100212-61830	2	OILSEAL	ISCD 10*20*5		
7	+	900162-05025	3	BOLT, H.S. 5*25	5*25 W,SW		
8	+	900810-36000	2	BEARING, BALL			
9	+	100242-61830	1	GASKET, CRANKCASE			
10	+	100215-03930	2	PIN, DOWEL			
11		A011-000180	1	CRANKSHAFT,ASM			
13		P021-008710	1	PISTON KIT			
14	+	100012-61830	1	BEARING, NEEDLE			
15	+	100015-61830	2	RING, SNAP			
16	+	100013-61830	1	PIN, PISTON			
17	+	A101-000090	1	RING,PISTON			
18		V100-000120	1	GASKET,CYL			
19		A130-000611	1	CYLINDER			
20		900162-05020	2	BOLT, H.S. 5*20	5*20 W,SW		
25		A160-000380	1	COVER,CYLINDER			
26		V323-000060	1	WASHER,CIRCULAR 5			
27		900239-05018	1	SCREW 5*18	5*18		

3. Starter, Magneto, Clutch(Sr/Nr 36002135 and before)



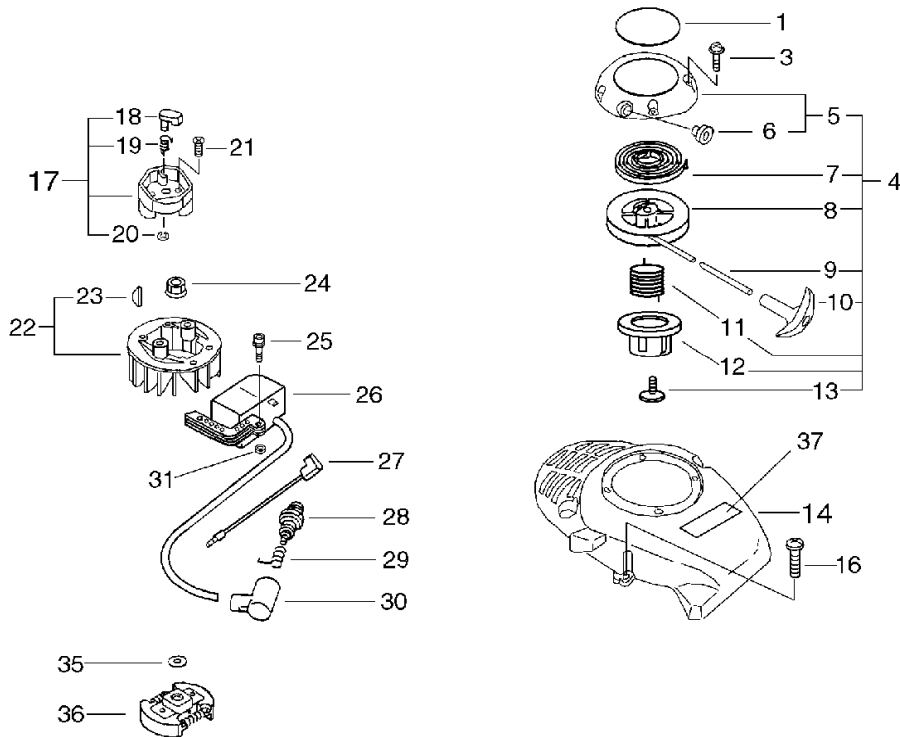
KEY	LV	PART NUMBER	Q'TY	DESCRIPTION	REMARKS	NOTE1	NOTE2
1		X502-000140	1	LABEL,ECHO		Sus. by X547-000220	
1		X547-000220	1	LABEL,ECHO	HC-30ESW	Sus. by X502-000330	
3		900253-05020	2	SCREW 5*20	5*20		
4		P022-007740	1	STARTER ASY			
5	+	P022-006840	1	STARTER,RECOIL			
6	++	177227-42030	1	GUIDE, ROPE			
7	+	177220-42030	1	SPRING, REWIND			
8	+	P022-006830	1	DRUM			
9	+	P022-006800	1	ROPE, STARTER	3.0*880		
10	+	177228-44330	1	GRIP, STARTER			
11	+	V452-000150	1	SPRING,TORSION			
12	+	A507-000030	1	CATCHER,PAWL			
13	+	177236-61830	1	SCREW			
14		A172-000250	1	COVER,FAN			
15		X503-005270	1	LABEL,MODEL	HC-30ESW	Sr/Nr 36001570 and before	
16		900239-05016	4	SCREW 5*16	5*16		
17		A052-000170	1	PULLEY,ASM STARTER			
18	+	P022-006850	2	PAWL, STARTER			
19	+	177234-05960	2	SPRING, RETURN			
20	+	P022-002100	2	E-RING	4		
21		900212-06014	2	SCREW 6*14	+SF6*14		
22		P021-003340	1	ROTOR,MAGNETO W/KEY			
23	+	100142-12330	1	KEY, WOODRUFF			

3. Starter, Magneto, Clutch(Sr/Nr 36002135 and before)



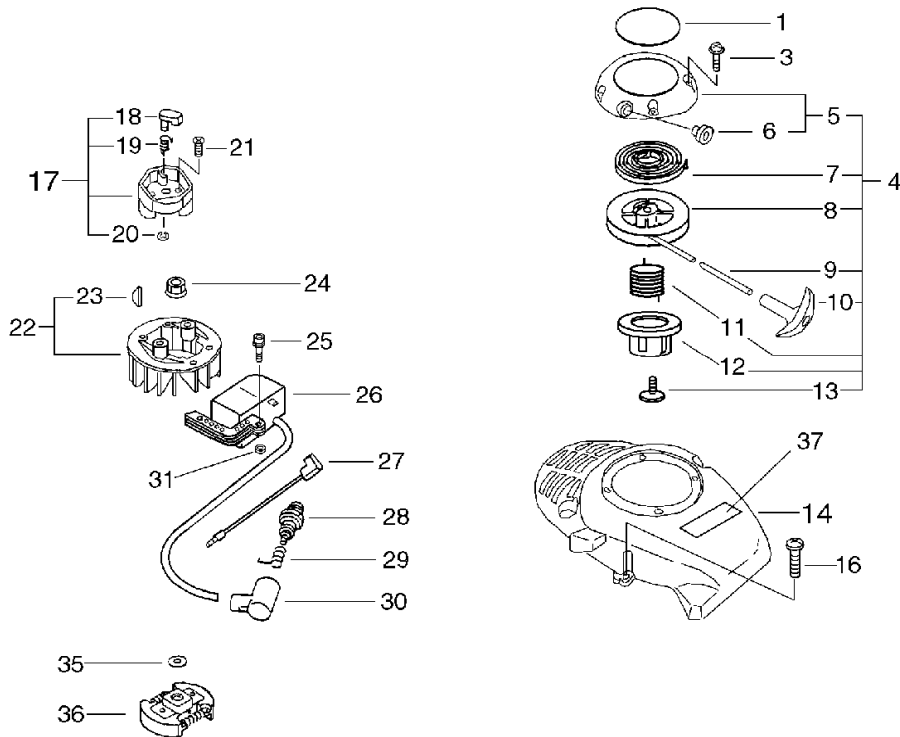
KEY	LV	PART NUMBER	Q'TY	DESCRIPTION	REMARKS	NOTE1	NOTE2
24		900515-00006	1	NUT, FLANGE 6	6		
25		900162-04020	2	BOLT, H.S. 4*20	4*20 W,SW	Sr/Nr 36001150 and before	
25		91128-04022	2	BOLT HSH	CM-4*22	Sr/Nr 36001151 and after	
26		A411-000100	1	COIL,IGNITION			
27		162010-55930	1	LEARD, GROUND	235L		
28		159010-10230	1	PLUG, SPARK (BPMR-7A	BPMR-7A		
29		159011-03432	1	COIL, SPARK PLUG			
30		159012-03433	1	CAP, SPARK PLUG			
31		150117-09130	1	SPACER		Sr/Nr 36001151 and after	
35		610350-12360	1	WASHER			
36		A056-000090	1	CLUTCH		Sus. by A056-000091	

4. Starter, Magneto, Clutch(Sr/Nr 36002136 and after)



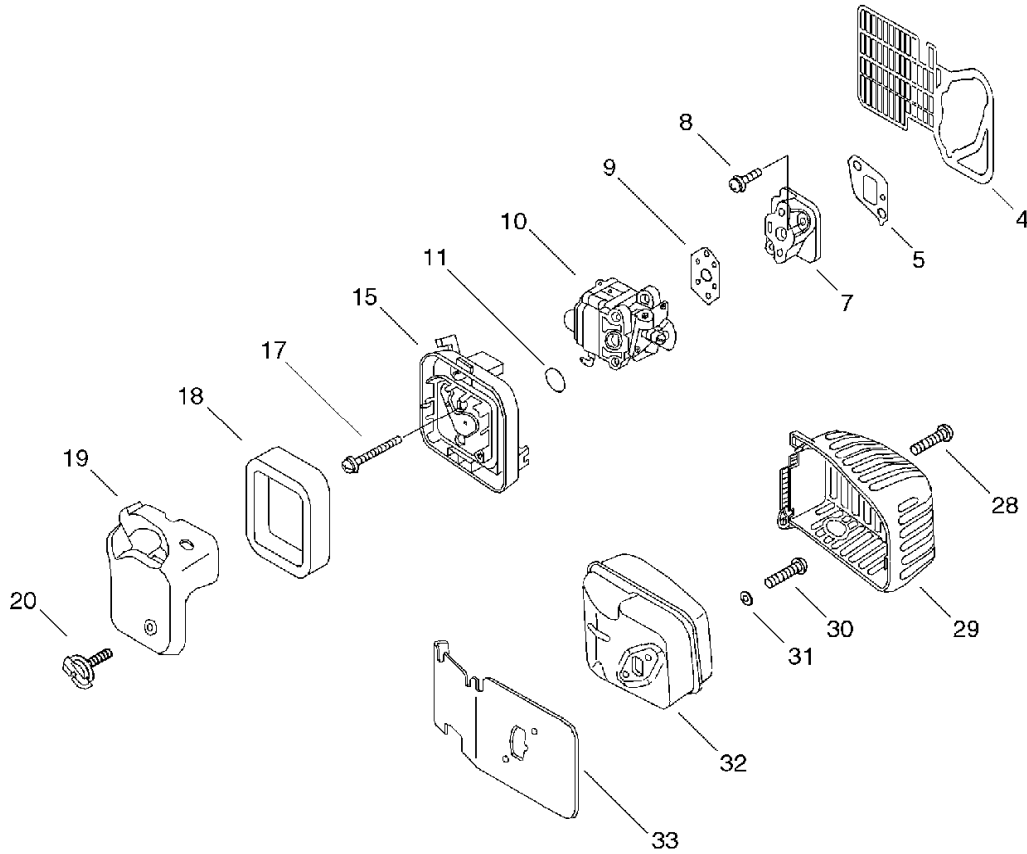
KEY	LV	PART NUMBER	Q'TY	DESCRIPTION	REMARKS	NOTE1	NOTE2
1		X547-000220	1	LABEL,ECHO	HC-30ESW	Sus. by X502-000330	
1		X502-000330	1	LABEL,ECHO	ECHO		
3		900253-05020	2	SCREW 5*20	5*20		
4		P022-007740	1	STARTER ASY			
5	+	P022-006840	1	STARTER,RECOIL			
6	++	177227-42030	1	GUIDE, ROPE			
7	+	177220-42030	1	SPRING, REWIND			
8	+	P022-006830	1	DRUM			
9	+	P022-006800	1	ROPE, STARTER	3.0*880		
10	+	177228-44330	1	GRIP, STARTER			
11	+	V452-000150	1	SPRING,TORSION			
12	+	A507-000030	1	CATCHER,PAWL			
13	+	177236-61830	1	SCREW			
14		A172-000250	1	COVER,FAN			
16		900239-05016	4	SCREW 5*16	5*16		
17		A052-000170	1	PULLEY,ASM STARTER			
18	+	P022-006850	2	PAWL, STARTER			
19	+	177234-05960	2	SPRING, RETURN			
20	+	P022-002100	2	E-RING	4		
21		900212-06014	2	SCREW 6*14	+SF6*14		
22		P021-003340	1	ROTOR,MAGNETO W/KEY			
23	+	100142-12330	1	KEY, WOODRUFF			
24		900515-00006	1	NUT, FLANGE 6	6		
25		91128-04022	2	BOLT HSH	CM-4*22		
26		A411-000100	1	COIL,IGNITION			

4. Starter, Magneto, Clutch(Sr/Nr 36002136 and after)



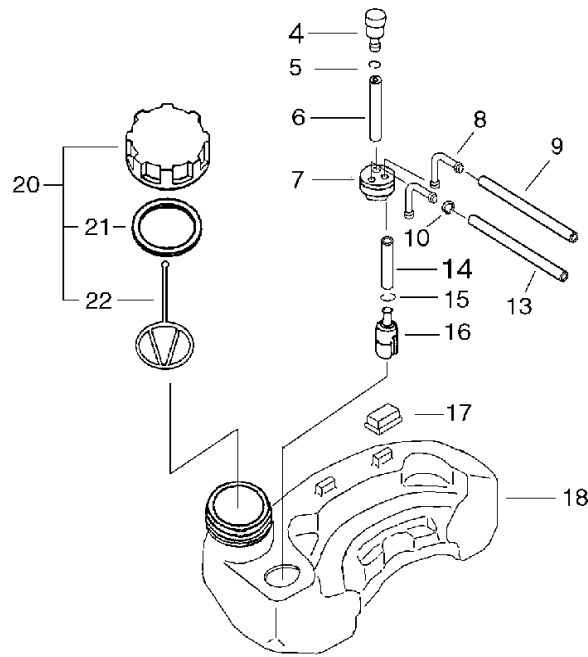
KEY	LV	PART NUMBER	Q'TY	DESCRIPTION	REMARKS	NOTE1	NOTE2
27		162010-55930	1	LEARD, GROUND	235L		
28		159010-10230	1	PLUG, SPARK (BPMR-7A	BPMR-7A		
29		159011-03432	1	COIL, SPARK PLUG			
30		159012-03433	1	CAP, SPARK PLUG			
31		150117-09130	2	SPACER			
35		610350-12360	1	WASHER			
36		A056-000090	1	CLUTCH		Sus. by A056-000091	
36		A056-000091	1	CLUTCH			
37		X543-000930	1	LABEL,MODEL	HC-30ESW	Sr/Nr 36002426 and after	
38		X530-000210	1	LABEL,EYE CATCHER		Disuse	

5. Air Cleaner, Muffler



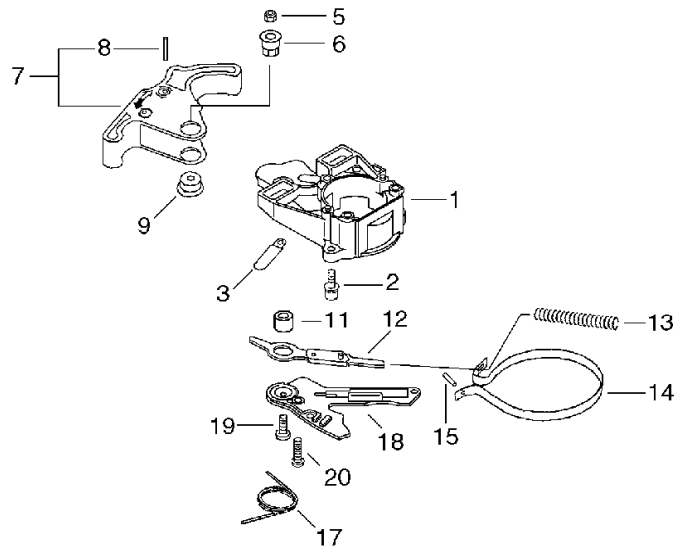
KEY	LV	PART NUMBER	Q'TY	DESCRIPTION	REMARKS	NOTE1	NOTE2
4		A128-000010	1	PLATE,DUST			
5		130010-61830	1	GASKET, INTAKE			
7		A200-000080	1	INSULATOR,INTAKE			
8		900238-05020	2	SCREW 5*20	5*20		
9		130010-44431	1	GASKET, INTAKE			
10		A021-000690	1	CARBURETOR,DIAPHRAGM		Sus. by A021-000691	
10		A021-000691	1	CARBURETOR,DIAPHRAGM	WYL-192A		
11		900720-00015	1	O-RING 15	P-15		
15		P021-006130	1	CASE, AIR CLEANER			
17		900242-05050	2	SCREW 5*50	5*50		
18		A226-000130	1	ELEMENT,AIR FILTER			
19		A232-000130	1	LID,CLEANER			
20		V299-000190	1	KNOB,FASTENER			
28		900239-05016	1	SCREW 5*16	5*16		
29		A320-000121	1	COVER,MUFFLER			
30		900105-05050	2	BOLT, H.S. 5*50	5*50		
31		900600-00005	2	WASHER 5	5		
32		A300-000300	1	MUFFLER,EXHAUST		Sr/Nr 35001360 and before	
32		P021-008700	1	MUFFLER ASY		Sr/Nr 36001001 and after	
33		145510-61831	1	GASKET, MUFFLER		Sus. by 145510-61832	
33		145510-61832	1	GASKET, MUFFLER			

6. Fuel Tank



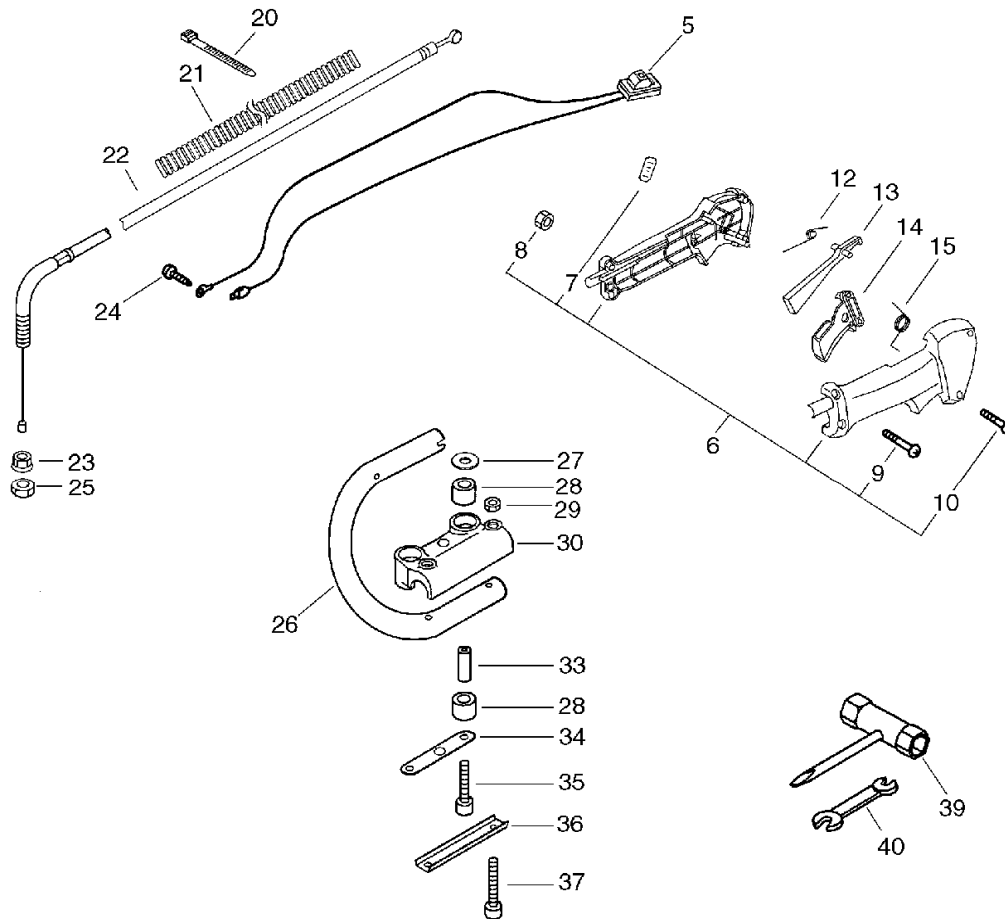
KEY	LV	PART NUMBER	Q'TY	DESCRIPTION	REMARKS	NOTE1	NOTE2
4		131300-56430	1	VALVE, CHECK			
5		132013-26630	1	CLIP	6.5MM		
6		132012-11960	1	PIPE 3*6*45	3*6*45 NBR		
7		132115-55930	1	GROMMET, FUEL			
8		V186-000080	2	JOINT, PIPE			
9		130110-54430	1	PIPE, IMPULSE	3*6*105 NBR		
10		132013-26630	1	CLIP	6.5MM		
13		V471-000630	1	PIPE			
14		132010-52830	1	PIPE	3*5*110 NBR		
15		132013-09820	1	CLIP	6MM		
16		131205-19830	1	STRAINER, FUEL		Sus. by 131205-19831	
17		131920-55430	4	CUSHION, FUEL TANK			
18		A350-000191	1	TANK, FUEL			
20		131004-55530	1	CAP ASSY, FUEL TANK			
21	+	131016-55830	1	GASKET, FUEL CAP			
22	+	131051-56030	1	CLIP, FUEL CAP	100L		

7. Brake



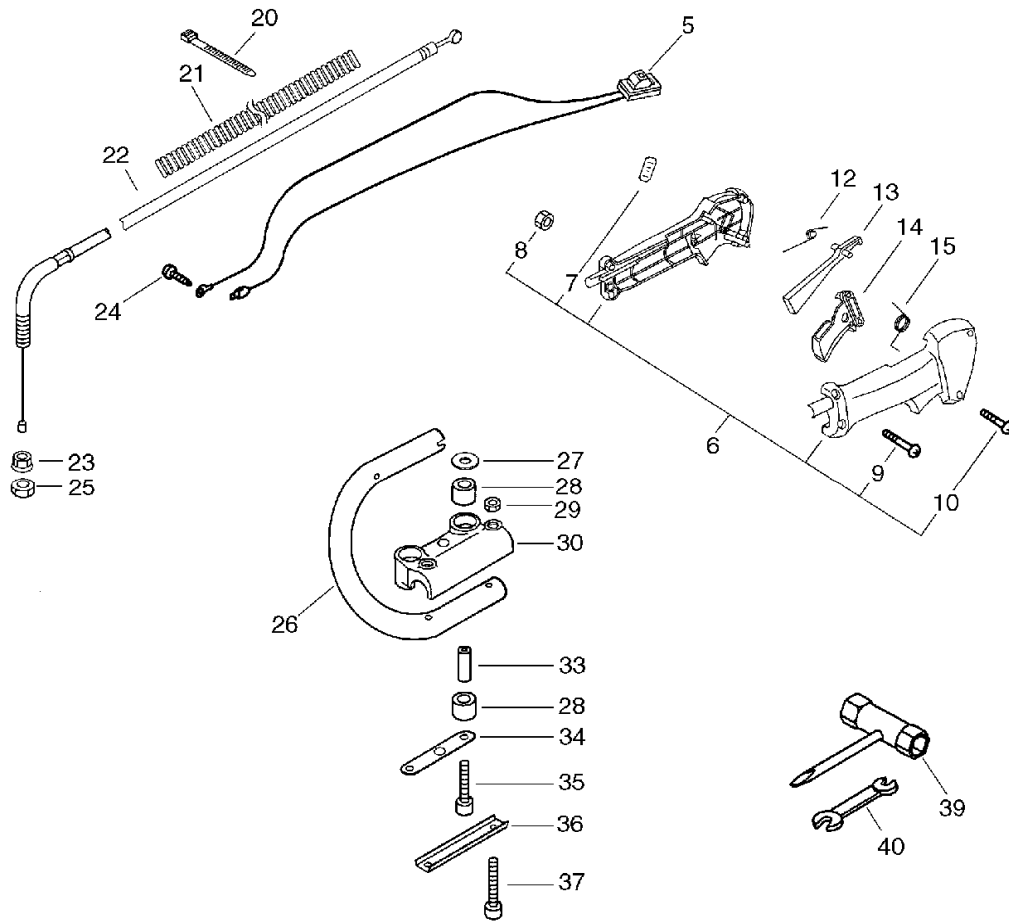
KEY	LV	PART NUMBER	Q'TY	DESCRIPTION	REMARKS	NOTE1	NOTE2
1		A570-000110	1	CASE,CLUTCH		Sus. by A570-000111	
1		A570-000111	1	CASE,CLUTCH			
2		900238-05016	3	SCREW 5*16	5*16		
3		159116-21231	1	CLAMP			
5		900560-00005	1	NUT, LOCK 5	5		
6		V353-000060	1	COLLAR,5			
7		P021-006410	1	LEVER, BRAKE			
8	+	900330-30240	2	PIN 3*24	3*23.8		
9		433167-39130	1	SPACER			
11		433116-35430	1	SPACER 8	8*12*9		
12		C334-000040	1	CONNECTOR,BRAKE		Sus. by C334-000041	
12		C334-000041	1	CONNECTOR,BRAKE			
13		V450-000380	1	SPRING,COMPRESSION			
14		C328-000040	1	BAND,BRAKE			
15		93050-30098	1	ROLLER	F3*9.8		
17		V452-000180	1	SPRING,TORSION			
18		C345-000131	1	COVER,BRAKE			
19		91335-04010	3	SCREW	4*10	Sus. by 900220-04010	
19		900220-04010	3	SCREW 4*10	4*10		
20		900209-05030	1	SCREW, 5*30	5*30		

8. Handle, Tools



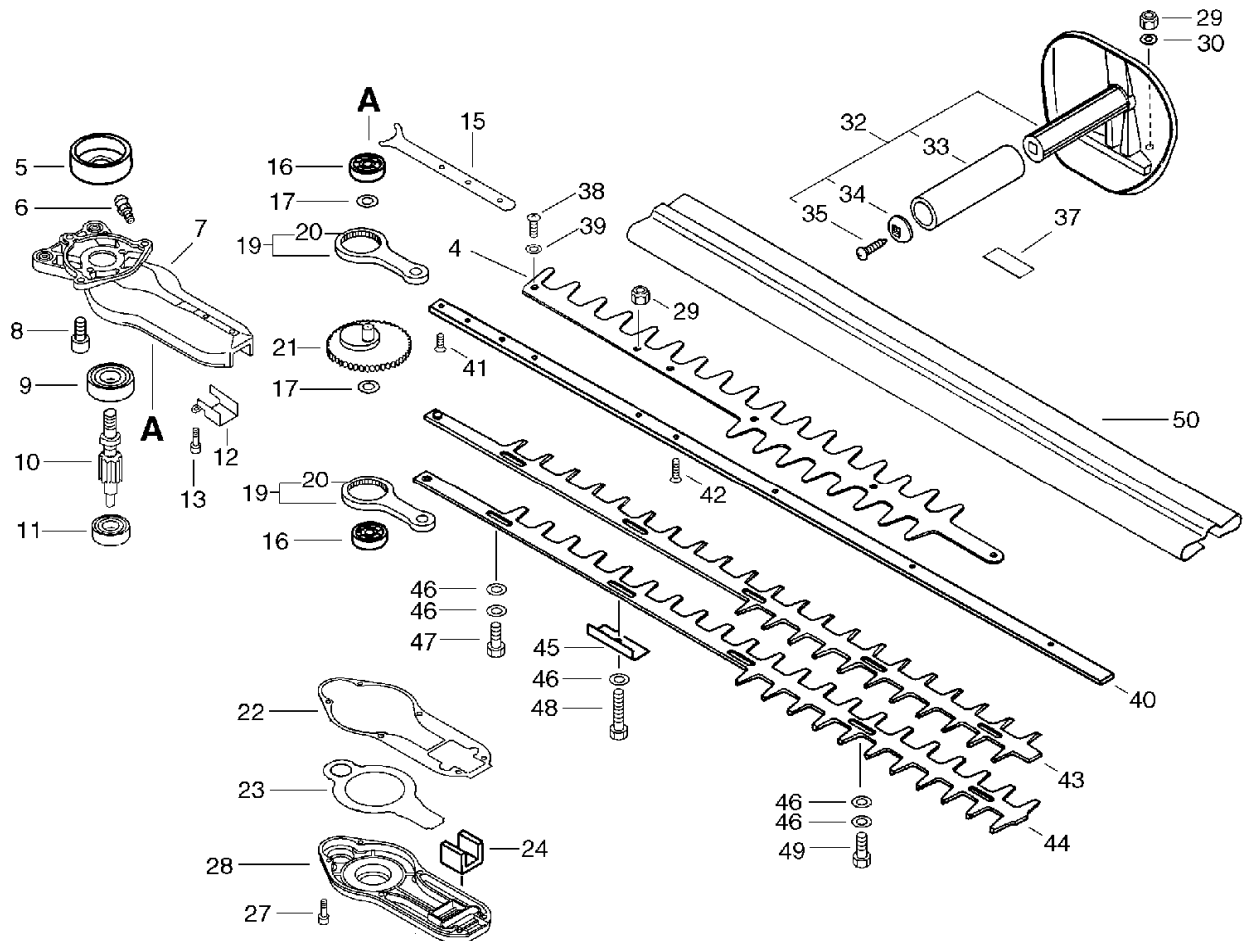
KEY	LV	PART NUMBER	Q'TY	DESCRIPTION	REMARKS	NOTE1	NOTE2
5		A440-000460	1	SWITCH,ON OFF			
6		P021-002612	1	GRIP ASY,F-HANDLE			
7	+	V162-000130	1	PLUG			
8	+	900500-00005	1	NUT 5	5		
9	+	900220-05030	1	SCREW 5*30	5*30		
10	+	900253-04016	3	SCREW 4*16	4*16		
12		V452-000050	1	SPRING,TORSION			
13		C460-000011	1	LOCKOUT,THROTTLE			
14		C450-000022	1	TRIGGER,THROTTLE			
15		V452-000060	1	SPRING,TORSION			
20		V495-000300	1	BAND	CV-150	Sus. by 178121-43230	
20		178121-43230	1	BAND	CV-150 BL		
21		162110-56530	1	TUBE	7*175		
22		V430-000980	1	CABLE,BOWDEN			
23		900502-00006	2	NUT 6 (3N)	3N6	Sus. by 900502-00006 Q'ty:1 and 900515-00006 Q'ty:1	
23		900515-00006	1	NUT, FLANGE 6	6	Sus. by 900518-00006	
23		900518-00006	1	NUT, FLANGE	6		
24		900238-05010	1	SCREW 5*10	5*10		
25		900502-00006	1	NUT 6 (3N)	3N6		
26		C410-000170	1	HANDLE,REAR			
27		300217-00610	2	WASHER			

8. Handle, Tools



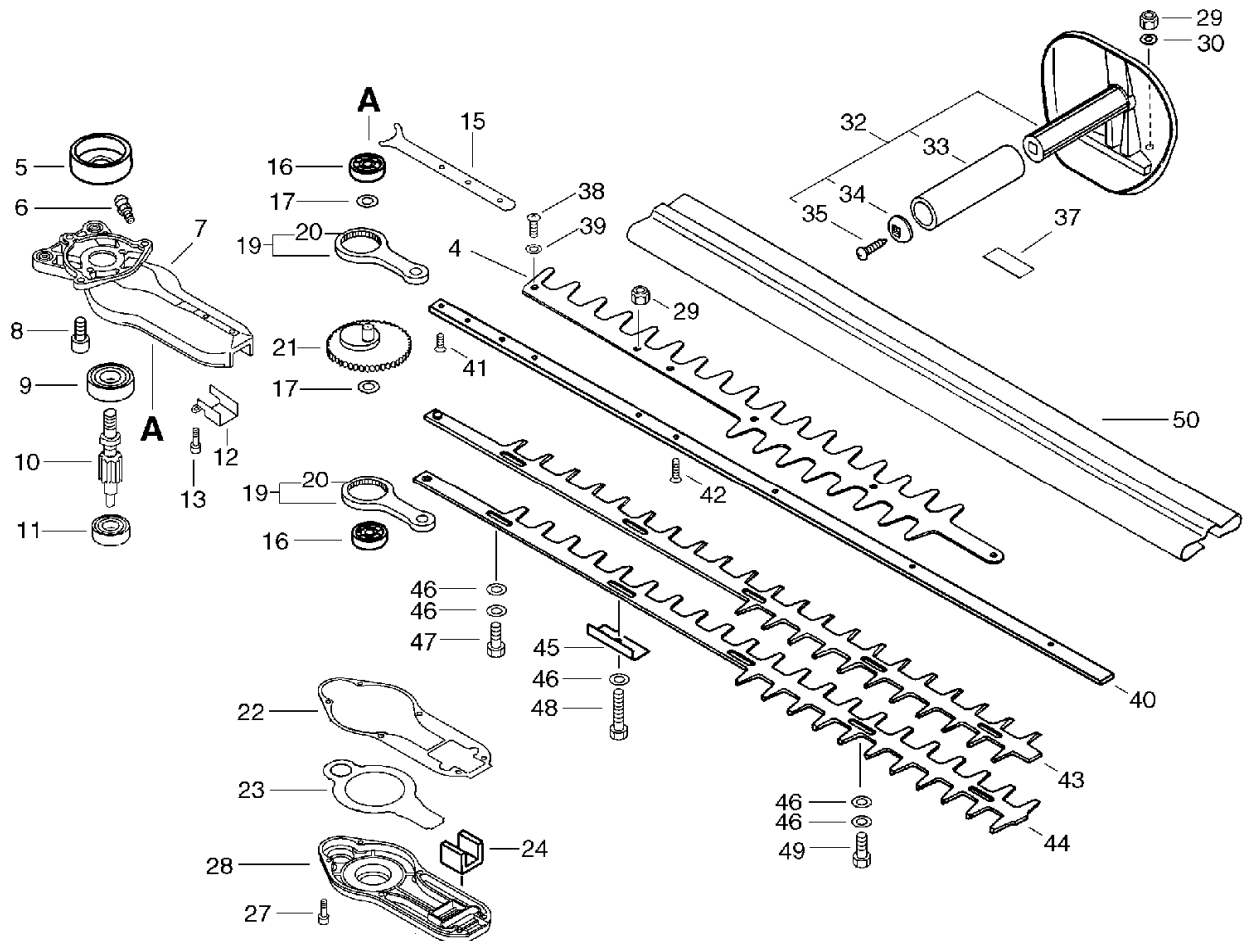
KEY	LV	PART NUMBER	Q'TY	DESCRIPTION	REMARKS	NOTE1	NOTE2
28		351228-07760	4	CUSHION			
29		900500-00005	2	NUT 5	5		
30		351217-07761	1	SUPPORTER, HANDLE			
33		351241-01260	2	SPASER			
34		351242-06961	1	PLATE, EYE			
35		900162-05045	2	BOLT, H.S. 5*45	5*45 W,SW		
36		351243-01260	1	BRACKET			
37		900162-05035	2	BOLT, H.S. 5*35	5*35 W,SW		
39		895410-00430	1	WRENCH, W/S. DRIVER		Sus. by 895410-03930	
40		895112-00330	1	SPANNER 8*10			

9. Gear Case, Cutter(Sr/Nr 36002135 and before)



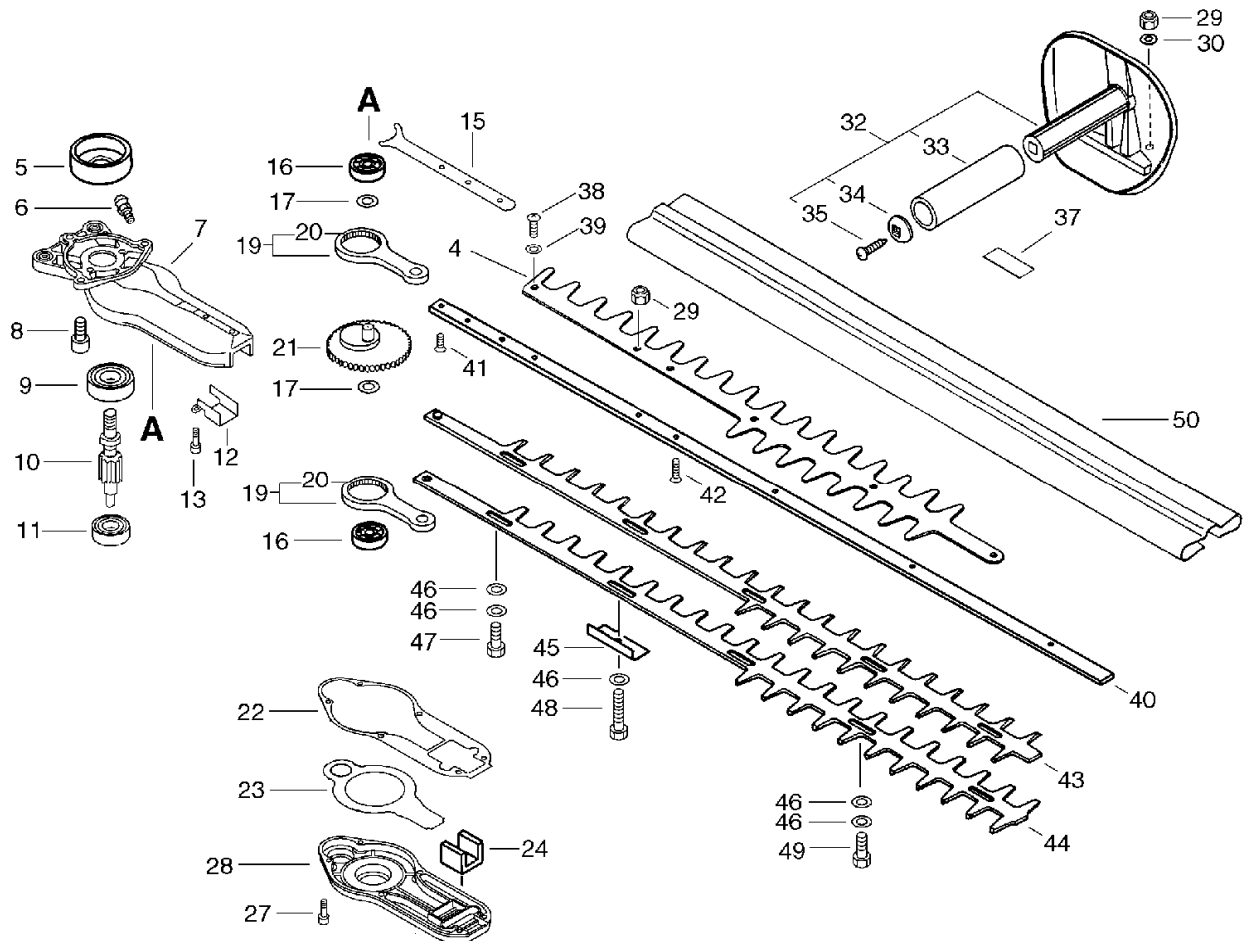
KEY	LV	PART NUMBER	Q'TY	DESCRIPTION	REMARKS	NOTE1	NOTE2
4		X431-000010	1	BLUNT		Sus. by X431-000011	
4		X431-000011	1	BLUNT			
5		A556-000301	1	DRUM,CLUTCH			
6		880110-10860	1	NIPPLE, GREASE			
7		C531-000210	1	CASE,GEAR		Sus. by C531-000270	
7		C531-000270	1	CASE,GEAR			
8		900162-06018	3	BOLT, H.S.H	6*18 W, SW		
9		900812-06200	1	BEARING, BALL 6200	6200DDU(LLU)		
10		V650-000160	1	GEAR,SPUR			
11		900804-00608	1	BEARING, BALL 608	608ZZ		
12		C538-000090	1	GUIDE,CUTTER			
13		900162-04016	2	BOLT, H.S. 4*16	4*16 W,SW		
15		V150-001240	1	PLATE,EYE			
16		900810-06200	2	BEARING, BALL 6200	6200		
17		100014-17330	2	SPACER, PISTON PIN			
19		P021-008400	2	ROD,CONNECTING			
20	+	610327-01261	2	BEARING, NEEDLE			
21		V060-000030	1	GEAR,SPUR			
22		V110-000030	1	GASKET,GEAR CASE			
23		C542-000020	1	PLATE,CASE LID			
24		V541-000100	1	SEAL			
27		900162-04016	6	BOLT, H.S. 4*16	4*16 W,SW		
28		C531-000220	1	GEAR CASE		Sus. by C531-000280	

9. Gear Case, Cutter(Sr/Nr 36002135 and before)



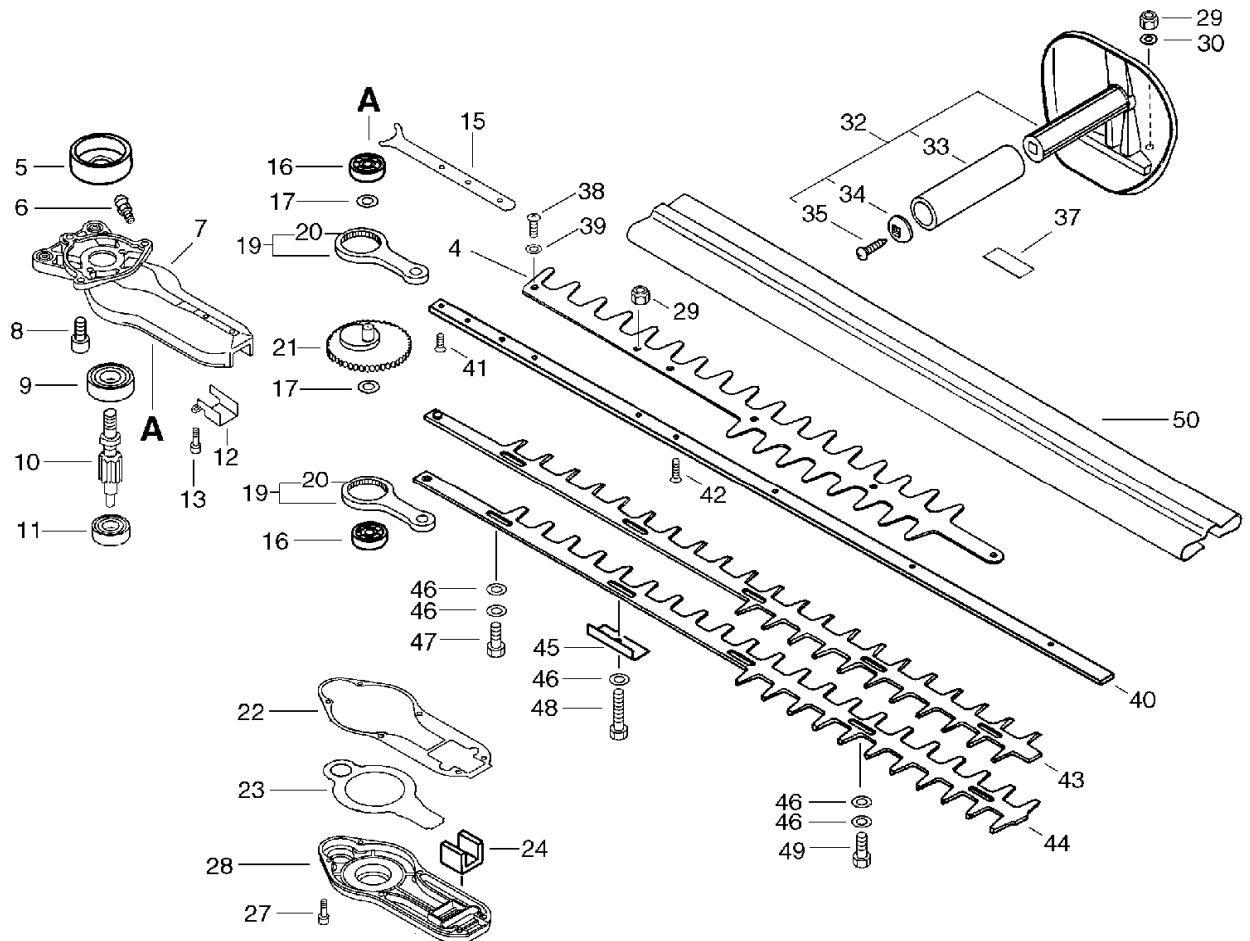
KEY	LV	PART NUMBER	Q'TY	DESCRIPTION	REMARKS	NOTE1	NOTE2
28		C531-000280	1	CASE,GEAR			
29		433022-06460	6	NUT			
30		900603-00006	2	WASHER 6	6.5*13*1		
31		X502-000270	1	LABEL,ECHO	60*16	Sr/Nr 36001621 and after	
32		351200-07360	1	HANDLE ASSY		Sus. by 351200-07363	
32		351200-07361	1	HANDLE ASY		Sus. by 351200-07363	
32		351200-07362	1	HANDLE ASY		Sus. by 351200-07363	
32		351200-07363	1	HANDLE ASY			
33	+	351012-07360	1	GRIP, HANDLE	22*32*155L	Sus. by 351012-07361	
33	+	351012-07361	1	GRIP, REAR HANDLE			
34	+	351217-07360	1	SUPPORTER, F. HANDLE		Sus. by 351217-07361	
34	+	351217-07361	1	SUPPORTER, F. HANDLE			
35	+	900253-05014	1	SCREW 5*14	5*14		
37		890617-07660	1	LABEL, CAUTION		Sus. by X505-002030	
37		X505-002030	1	LABEL CAUTION	37*35		
38		900238-05010	1	SCREW 5*10	5*10		
39		145712-14730	1	WASHER			
40		X425-000151	1	SUPPORT,CUTTER		Sus. by X425-000161	

9. Gear Case, Cutter(Sr/Nr 36002135 and before)



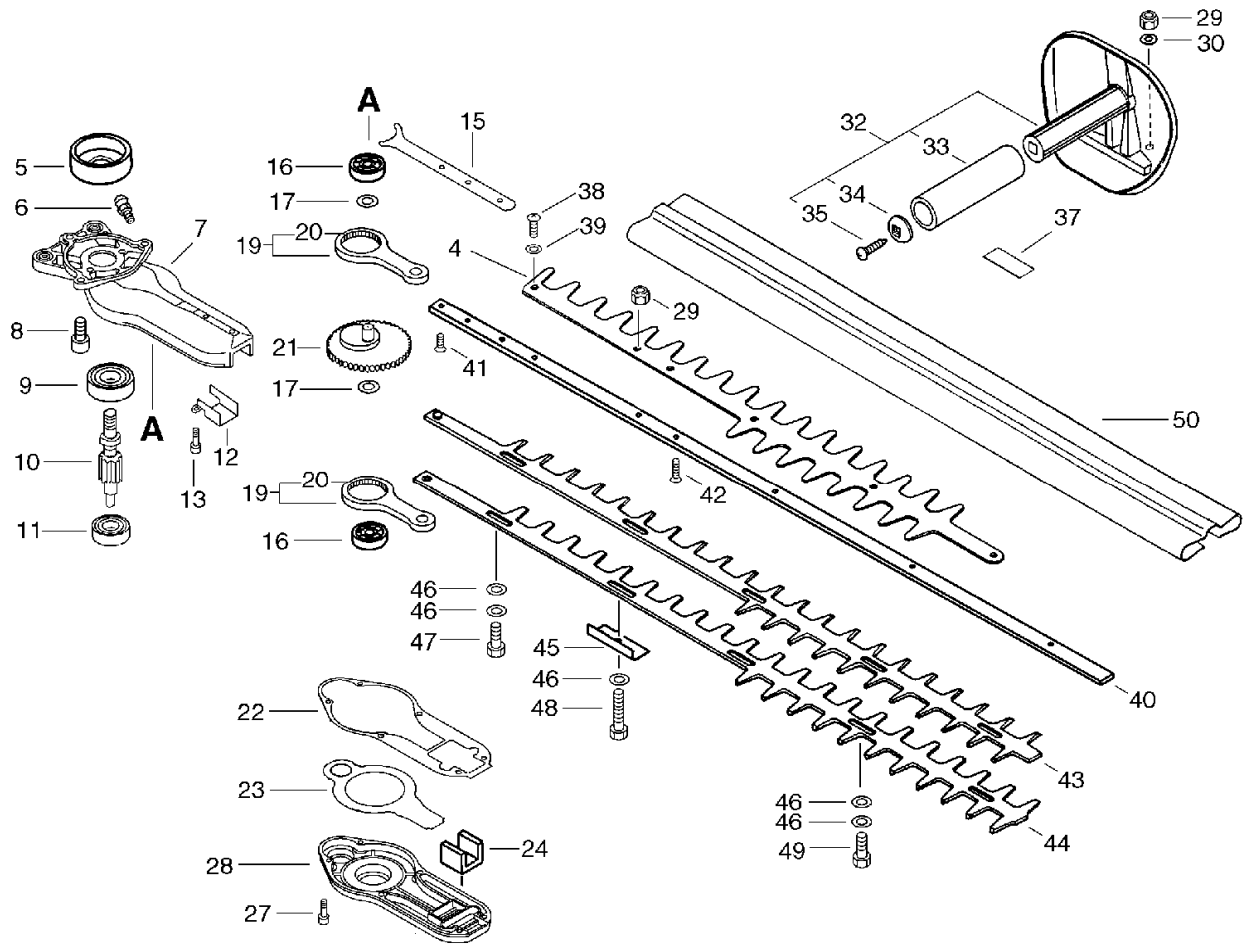
KEY	LV	PART NUMBER	Q'TY	DESCRIPTION	REMARKS	NOTE1	NOTE2
40		X425-000160	1	SUPPORT,CUTTER		Sus. by X425-000161	
40		X425-000161	1	SUPPORT,CUTTER			
41		91103-06020	2	BOLT HSH	6*20		
42		91103-06030	1	BOLT HSH	6*30		
43		697010-07361	1	CUTTER		Sus. by 697010-07362	
43		697010-07362	1	CUTTER			
44		697011-07361	1	CUTTER		Sus. by 697011-07362	
44		697011-07362	1	CUTTER			
45		699213-02063	1	INSULATOR			
46		699118-01261	9	WASHER			
47		699115-08960	1	BOLT, CUTTER			
48		351027-02060	1	BOLT			
49		699115-02062	3	BOLT			
50		898523-05160	1	COVER, CUTTER			

10. Gear Case, Cutter(Sr/Nr 36002136 and after)



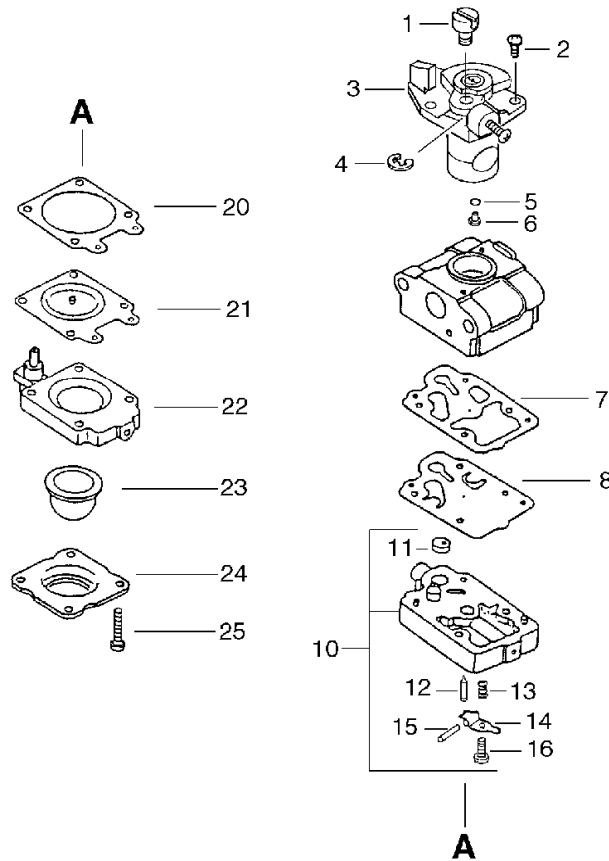
KEY	LV	PART NUMBER	Q'TY	DESCRIPTION	REMARKS	NOTE1	NOTE2
4		X431-000011	1	BLUNT			
5		A556-000301	1	DRUM,CLUTCH			
6		880110-10860	1	NIPPLE, GREASE			
7		C531-000270	1	CASE,GEAR			
8		900162-06018	3	BOLT, H.S.H	6*18 W, SW		
9		900812-06200	1	BEARING, BALL 6200	6200DDU(LLU)		
10		V650-000160	1	GEAR,SPUR			
11		900804-00608	1	BEARING, BALL 608	608ZZ		
12		C538-000090	1	GUIDE,CUTTER			
13		900162-04016	2	BOLT, H.S. 4*16	4*16 W,SW		
15		V150-001240	1	PLATE,EYE			
16		900810-06200	2	BEARING, BALL 6200	6200		
17		100014-17330	2	SPACER, PISTON PIN			
19		P021-008400	2	ROD,CONNECTING			
20	+	610327-01261	2	BEARING, NEEDLE			
21		V060-000030	1	GEAR,SPUR			
22		V110-000030	1	GASKET,GEAR CASE			
23		C542-000020	1	PLATE,CASE LID			
24		V541-000100	1	SEAL			
27		900162-04016	6	BOLT, H.S. 4*16	4*16 W,SW		
28		C531-000280	1	CASE,GEAR			
29		433022-06460	6	NUT			
30		900603-00006	2	WASHER 6	6.5*13*1		
31		X502-000270	1	LABEL,ECHO	60*16	Disuse	
32		351200-07363	1	HANDLE ASY			
33	+	351012-07361	1	GRIP, REAR HANDLE			

10. Gear Case, Cutter(Sr/Nr 36002136 and after)



KEY	LV	PART NUMBER	Q'TY	DESCRIPTION	REMARKS	NOTE1	NOTE2
34	+	351217-07361	1	SUPPORTER, F. HANDLE			
35	+	900253-05014	1	SCREW 5*14	5*14		
37		X505-002030	1	LABEL, CAUTION	37*35		
38		900238-05010	1	SCREW 5*10	5*10		
39		145712-14730	1	WASHER			
40		X425-000161	1	SUPPORT, CUTTER			
41		91103-06020	2	BOLT HSH	6*20		
42		91103-06030	1	BOLT HSH	6*30		
43		697010-07362	1	CUTTER			
44		697011-07362	1	CUTTER			
45		699213-02063	1	INSULATOR			
46		699118-01261	9	WASHER			
47		699115-08960	1	BOLT, CUTTER			
48		351027-02060	1	BOLT			
49		699115-02062	3	BOLT			
50		898523-05160	1	COVER, CUTTER			

11. Carburetor



KEY	LV	PART NUMBER	Q'TY	DESCRIPTION	REMARKS	NOTE1	NOTE2
		A021-000690	1	CARBURETOR,DIAPHRAGM		Sus. by A021-000691	
		A021-000691	1	CARBURETOR,DIAPHRAGM	WYL-192A		
1	+	123172-45130	1	SWIVEL			
2	+	123114-44330	2	SCREW			
3	+	P003-000800	1	VALVE THROTTLE		Can be used on A021-000690 only	
4	+	123173-07930	1	CLIP			
5	+	123183-40630	1	O-RING			
6	+	P003-000280	1	JET			
7	+	123125-40630	1	GASKET, PUMP			
8	+	123112-40630	1	DIAPHRAGM, PUMP			
10	+	P003-000780	1	BODY ASY,PUMP			
11	++	123126-10631	1	SCREEN, INLET			
12	++	123137-19830	1	VALVE, INLET NEEDLE			
13	++	123122-05560	1	SPRING, METER. LEVER			
14	++	123123-03930	1	LEVER, METERING			
15	++	123138-03930	1	PIN, METERING LEVER			
16	++	123139-05560	1	SCREW, M. LEVER PIN			
20	+	123140-05560	1	GASKET, M. DIAPHRAGM			
21	+	P003-000090	1	METERING, DIAPHRAGM			
22	+	123180-05560	1	BODY, AIR PURGE			
23	+	123181-40630	1	PUMP, PRIMER			
24	+	123142-05560	1	COVER, PRIMER PUMP			
25	+	123110-05560	4	SCREW, PUMP COVER			

Index

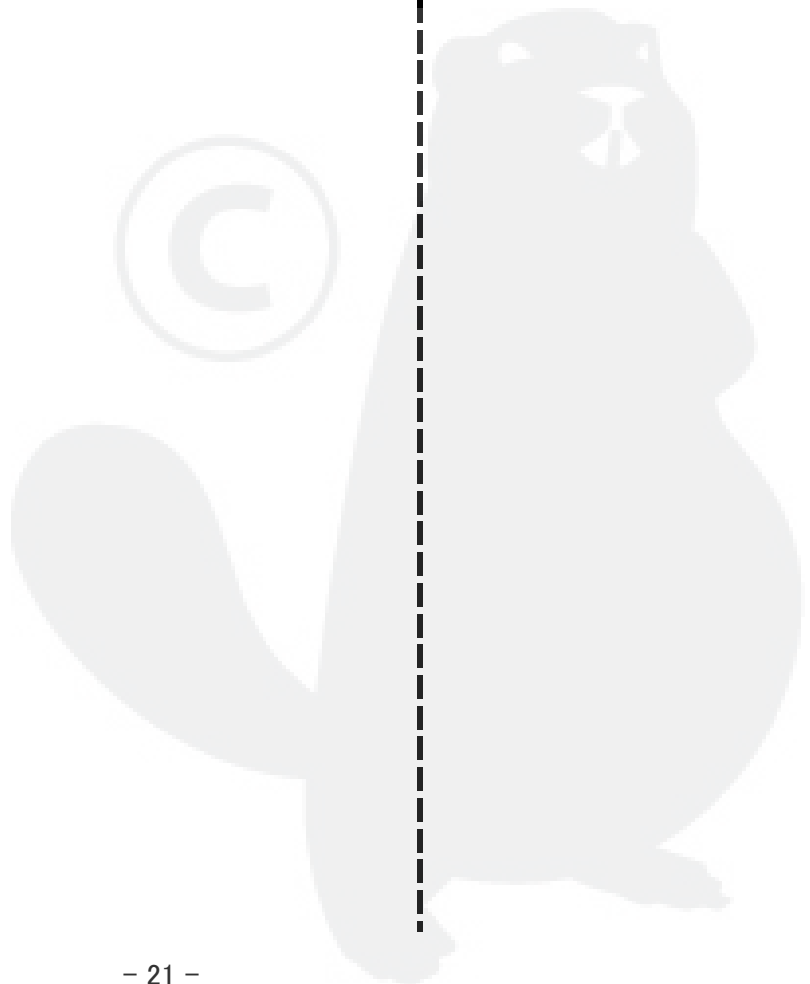
Patrs Number	Key No.	Patrs Number	Key No.	Patrs Number	Key No.
100000-61830	1 - 13	132013-26630	6 - 5	351243-01260	8 - 36
100011-05330	1 - 17	132013-26630	6 - 10	433022-06460	10 - 29
100012-61830	1 - 14	132115-55930	6 - 7	433022-06460	9 - 29
100012-61830	2 - 14	145510-61831	5 - 33	433116-35430	7 - 11
100013-61830	1 - 16	145510-61832	5 - 33	433167-39130	7 - 9
100013-61830	2 - 16	145712-14730	10 - 39	610327-01261	10 - 20
100014-17330	10 - 17	145712-14730	9 - 39	610327-01261	9 - 20
100014-17330	9 - 17	150117-09130	3 - 31	610350-12360	3 - 35
100015-61830	1 - 15	150117-09130	4 - 31	610350-12360	4 - 35
100015-61830	2 - 15	150117-16430	1 - 26	697010-07361	9 - 43
100142-12330	3 - 23	159010-10230	3 - 28	697010-07362	10 - 43
100142-12330	4 - 23	159010-10230	4 - 28	697010-07362	9 - 43
100212-61830	1 - 6	159011-03432	3 - 29	697011-07361	9 - 44
100212-61830	2 - 6	159011-03432	4 - 29	697011-07362	10 - 44
100215-03930	1 - 10	159012-03433	3 - 30	697011-07362	9 - 44
100215-03930	2 - 10	159012-03433	4 - 30	699115-02062	10 - 49
100242-61830	1 - 9	159116-21231	7 - 3	699115-02062	9 - 49
100242-61830	2 - 9	162010-55930	3 - 27	699115-08960	10 - 47
101010-61830	1 - 18	162010-55930	4 - 27	699115-08960	9 - 47
101011-61831	1 - 19	162110-56530	8 - 21	699118-01261	10 - 46
123110-05560	11 - 25	177220-42030	3 - 7	699118-01261	9 - 46
123112-40630	11 - 8	177220-42030	4 - 7	699213-02063	10 - 45
123114-44330	11 - 2	177227-42030	3 - 6	699213-02063	9 - 45
123122-05560	11 - 13	177227-42030	4 - 6	880110-10860	10 - 6
123123-03930	11 - 14	177228-44330	3 - 10	880110-10860	9 - 6
123125-40630	11 - 7	177228-44330	4 - 10	890617-07660	9 - 37
123126-10631	11 - 11	177234-05960	3 - 19	895112-00330	8 - 40
123137-19830	11 - 12	177234-05960	4 - 19	895410-00430	8 - 39
123138-03930	11 - 15	177236-61830	3 - 13	898523-05160	10 - 50
123139-05560	11 - 16	177236-61830	4 - 13	898523-05160	9 - 50
123140-05560	11 - 20	178121-43230	8 - 20	900105-05050	5 - 30
123142-05560	11 - 24	300217-00610	8 - 27	900162-04016	10 - 13
123172-45130	11 - 1	351012-07360	9 - 33	900162-04016	10 - 27
123173-07930	11 - 4	351012-07361	10 - 33	900162-04016	9 - 13
123180-05560	11 - 22	351012-07361	9 - 33	900162-04016	9 - 27
123181-40630	11 - 23	351027-02060	10 - 48	900162-04020	3 - 25
123183-40630	11 - 5	351027-02060	9 - 48	900162-05020	1 - 20
130010-44431	5 - 9	351200-07360	9 - 32	900162-05020	2 - 20
130010-61830	5 - 5	351200-07361	9 - 32	900162-05025	1 - 7
130110-54430	6 - 9	351200-07362	9 - 32	900162-05025	2 - 7
131004-55530	6 - 20	351200-07363	10 - 32	900162-05035	8 - 37
131016-55830	6 - 21	351200-07363	9 - 32	900162-05045	8 - 35
131051-56030	6 - 22	351217-07360	9 - 34	900162-06018	10 - 8
131205-19830	6 - 16	351217-07361	10 - 34	900162-06018	9 - 8
131300-56430	6 - 4	351217-07361	9 - 34	900209-05030	7 - 20
131920-55430	6 - 17	351217-07761	8 - 30	900212-06014	3 - 21
132010-52830	6 - 14	351228-07760	8 - 28	900212-06014	4 - 21
132012-11960	6 - 6	351241-01260	8 - 33	900220-04010	7 - 19
132013-09820	6 - 15	351242-06961	8 - 34	900220-05030	8 - 9

Index

Patrs Number	Key No.	Patrs Number	Key No.	Patrs Number	Key No.
900238-05010	10 - 38	A021-000690	5 - 10	C542-000020	9 - 23
900238-05010	8 - 24	A021-000691	11 -	P003-000090	11 - 21
900238-05010	9 - 38	A021-000691	5 - 10	P003-000280	11 - 6
900238-05016	7 - 2	A052-000170	3 - 17	P003-000780	11 - 10
900238-05020	5 - 8	A052-000170	4 - 17	P003-000800	11 - 3
900239-05016	3 - 16	A056-000090	3 - 36	P021-002612	8 - 6
900239-05016	4 - 16	A056-000090	4 - 36	P021-003340	3 - 22
900239-05016	5 - 28	A056-000091	4 - 36	P021-003340	4 - 22
900239-05018	1 - 27	A101-000090	1 - 17	P021-003941	1 - 5
900239-05018	2 - 27	A101-000090	2 - 17	P021-003941	2 - 5
900242-05050	5 - 17	A128-000010	5 - 4	P021-006130	5 - 15
900253-04016	8 - 10	A130-000610	1 - 19	P021-006410	7 - 7
900253-05014	10 - 35	A130-000611	1 - 19	P021-008400	10 - 19
900253-05014	9 - 35	A130-000611	2 - 19	P021-008400	9 - 19
900253-05020	3 - 3	A160-000380	1 - 25	P021-008700	5 - 32
900253-05020	4 - 3	A160-000380	2 - 25	P021-008710	1 - 13
900330-30240	7 - 8	A172-000250	3 - 14	P021-008710	2 - 13
900500-00005	8 - 8	A172-000250	4 - 14	P022-002100	3 - 20
900500-00005	8 - 29	A200-000080	5 - 7	P022-002100	4 - 20
900502-00006	8 - 23	A226-000130	5 - 18	P022-006800	3 - 9
900502-00006	8 - 25	A232-000130	5 - 19	P022-006800	4 - 9
900515-00006	3 - 24	A300-000300	5 - 32	P022-006830	3 - 8
900515-00006	4 - 24	A320-000121	5 - 29	P022-006830	4 - 8
900515-00006	8 - 23	A350-000191	6 - 18	P022-006840	3 - 5
900518-00006	8 - 23	A411-000100	3 - 26	P022-006840	4 - 5
900560-00005	7 - 5	A411-000100	4 - 26	P022-006850	3 - 18
900600-00005	5 - 31	A440-000460	8 - 5	P022-006850	4 - 18
900603-00006	10 - 30	A507-000030	3 - 12	P022-007740	3 - 4
900603-00006	9 - 30	A507-000030	4 - 12	P022-007740	4 - 4
900720-00015	5 - 11	A556-000301	10 - 5	V060-000030	10 - 21
900804-00608	10 - 11	A556-000301	9 - 5	V060-000030	9 - 21
900804-00608	9 - 11	A570-000110	7 - 1	V100-000120	1 - 18
900810-06200	10 - 16	A570-000111	7 - 1	V100-000120	2 - 18
900810-06200	9 - 16	C328-000040	7 - 14	V110-000030	10 - 22
900810-36000	1 - 8	C334-000040	7 - 12	V110-000030	9 - 22
900810-36000	2 - 8	C334-000041	7 - 12	V150-001240	10 - 15
900812-06200	10 - 9	C345-000131	7 - 18	V150-001240	9 - 15
900812-06200	9 - 9	C410-000170	8 - 26	V162-000130	8 - 7
91103-06020	10 - 41	C450-000022	8 - 14	V186-000080	6 - 8
91103-06020	9 - 41	C460-000011	8 - 13	V299-000190	5 - 20
91103-06030	10 - 42	C531-000210	9 - 7	V323-000060	2 - 26
91103-06030	9 - 42	C531-000220	9 - 28	V353-000060	7 - 6
91128-04022	3 - 25	C531-000270	10 - 7	V430-000980	8 - 22
91128-04022	4 - 25	C531-000270	9 - 7	V450-000380	7 - 13
91335-04010	7 - 19	C531-000280	10 - 28	V452-000050	8 - 12
93050-30098	7 - 15	C531-000280	9 - 28	V452-000060	8 - 15
A011-000180	1 - 11	C538-000090	10 - 12	V452-000150	3 - 11
A011-000180	2 - 11	C538-000090	9 - 12	V452-000150	4 - 11
A021-000690	11 -	C542-000020	10 - 23	V452-000180	7 - 17

Index

Patrs Number	Key No.	Patrs Number	Key No.	Patrs Number	Key No.
V471-000630	6 - 13				
V495-000300	8 - 20				
V541-000100	10 - 24				
V541-000100	9 - 24				
V650-000160	10 - 10				
V650-000160	9 - 10				
X425-000151	9 - 40				
X425-000160	9 - 40				
X425-000161	10 - 40				
X425-000161	9 - 40				
X431-000010	9 - 4				
X431-000011	10 - 4				
X431-000011	9 - 4				
X502-000140	3 - 1				
X502-000270	10 - 31				
X502-000270	9 - 31				
X502-000330	4 - 1				
X503-005270	3 - 15				
X505-002030	10 - 37				
X505-002030	9 - 37				
X530-000210	4 - 38				
X543-000930	4 - 37				
X547-000220	3 - 1				
X547-000220	4 - 1				



YAMABIKO CORPORATION

7-2 SUEHIROCHO 1-CHOME, OHME, TOKYO 198-8760, JAPAN
PHONE: 81-428-32-6118. FAX: 81-428-32-6145.

ECHO®



(36)
No. 61-087