



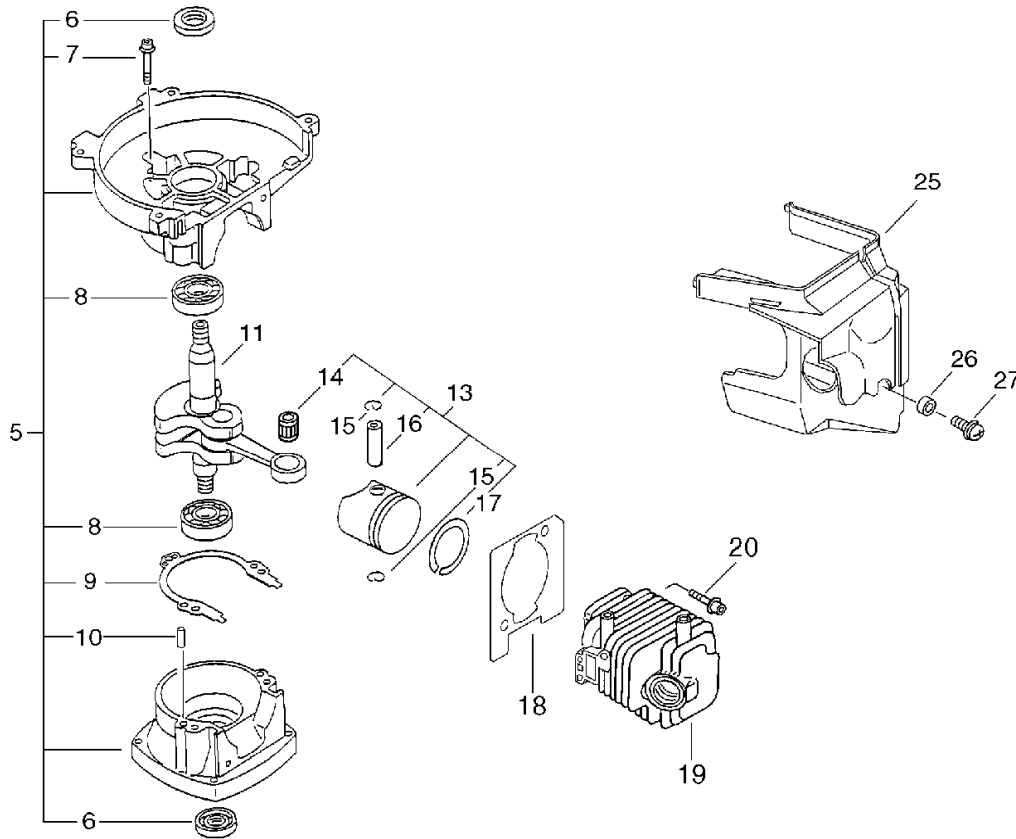
PARTS CATALOG

HEDGE TRIMMER HC-30ES(35)(36)

- 36009655

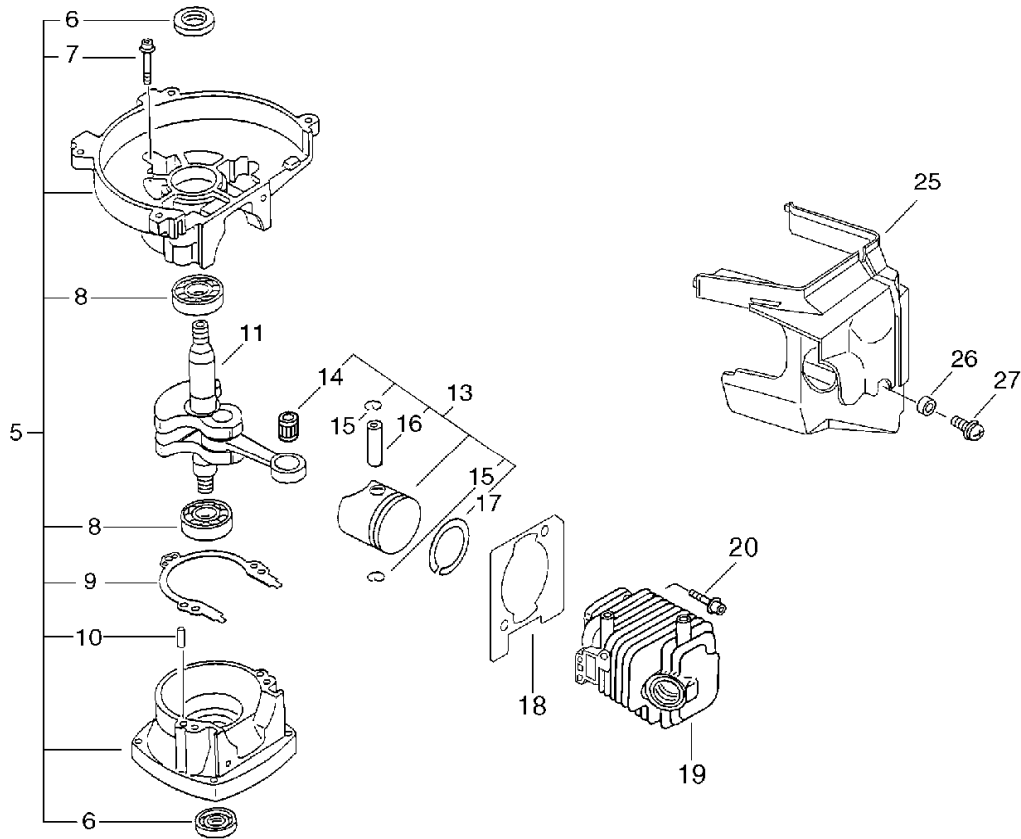
HC-30ES(35)(36)

1. Cylinder, Crankcase, Piston(Sr/Nr 36006820 and before)



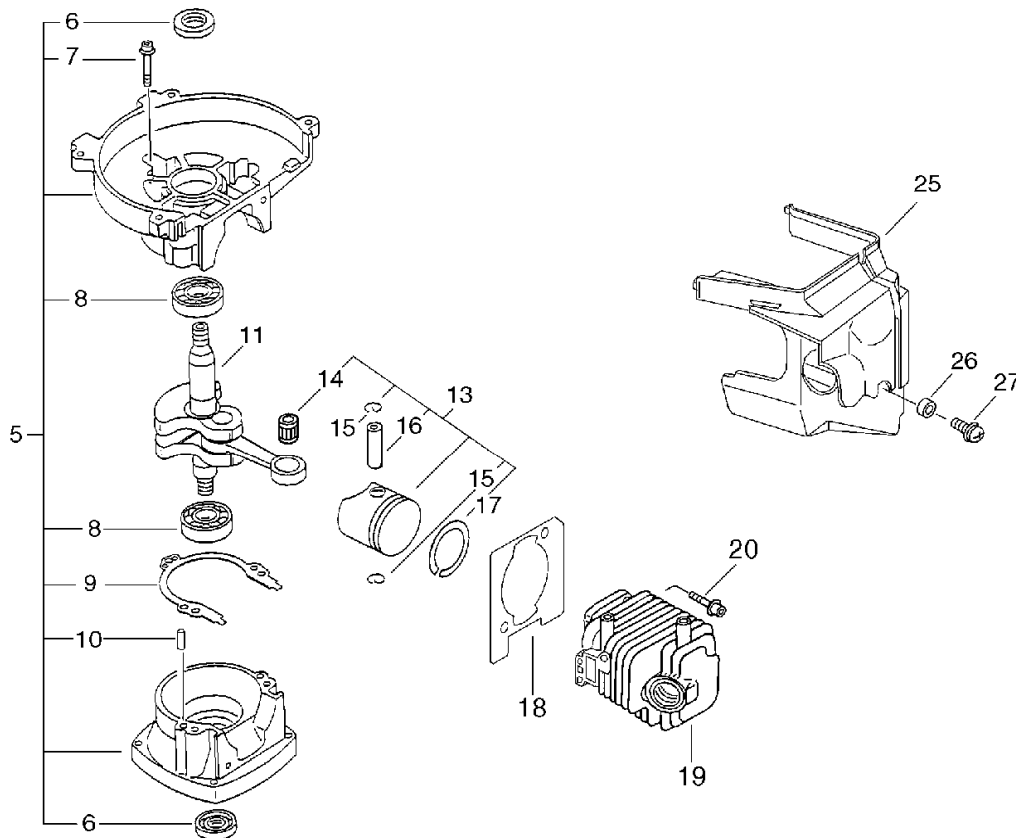
KEY	LV	PART NUMBER	Q'TY	DESCRIPTION	REMARKS	NOTE1	NOTE2
5		P021-003941	1	CRANK CASE SET			
6	+	100212-61830	2	OILSEAL	ISCD 10*20*5		
7	+	900162-05025	3	BOLT, H.S. 5*25	5*25 W,SW		
8	+	900810-36000	2	BEARING, BALL			
9	+	100242-61830	1	GASKET, CRANKCASE			
10	+	100215-03930	2	PIN, DOWEL			
11		A011-000180	1	CRANKSHAFT,ASM			
13		100000-61830	1	PISTON KIT		Starter, Magneto, Clutch(Sr/Nr 36001100 and before)	
13		P021-008710	1	PISTON KIT		Sr/Nr 36001001 and after	
14	+	100012-61830	1	BEARING, NEEDLE			
15	+	100015-61830	2	RING, SNAP			
16	+	100013-61830	1	PIN, PISTON			
17	+	100011-05330	1	RING, PISTON		Sr/Nr 35003533 and before	
17	+	A101-000090	1	RING,PISTON		Sr/Nr 36001001 and after	
18		101010-61830	1	GASKET, CYL. BASE		Sr/Nr 35003533 and before	
18		V100-000120	1	GASKET,CYL		Sr/Nr 36001001 and after	
19		101011-61831	1	CYLINDER		Sr/Nr 35003533 and before	

1. Cylinder, Crankcase, Piston(Sr/Nr 36006820 and before)



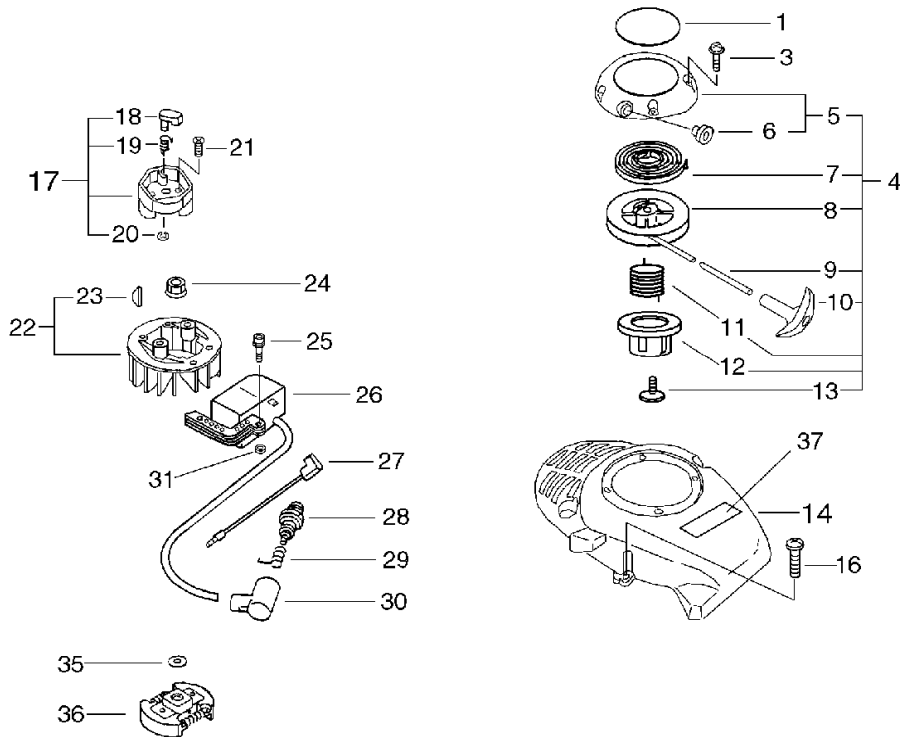
KEY	LV	PART NUMBER	Q'TY	DESCRIPTION	REMARKS	NOTE1	NOTE2
19		A130-000610	1	CYLINDER		Sr/Nr 36001001 to 36001600	
19		A130-000611	1	CYLINDER		Sr/Nr 36001601 and after	
20		900162-05020	2	BOLT, H.S. 5*20	5*20 W,SW		
25		A160-000380	1	COVER,CYLINDER			
26		150117-16430	1	SPACER		Sus. by V323-000060	
27		900239-05018	1	SCREW 5*18	5*18		

2. Cylinder, Crankcase, Piston(Sr/Nr 36006821 and after)



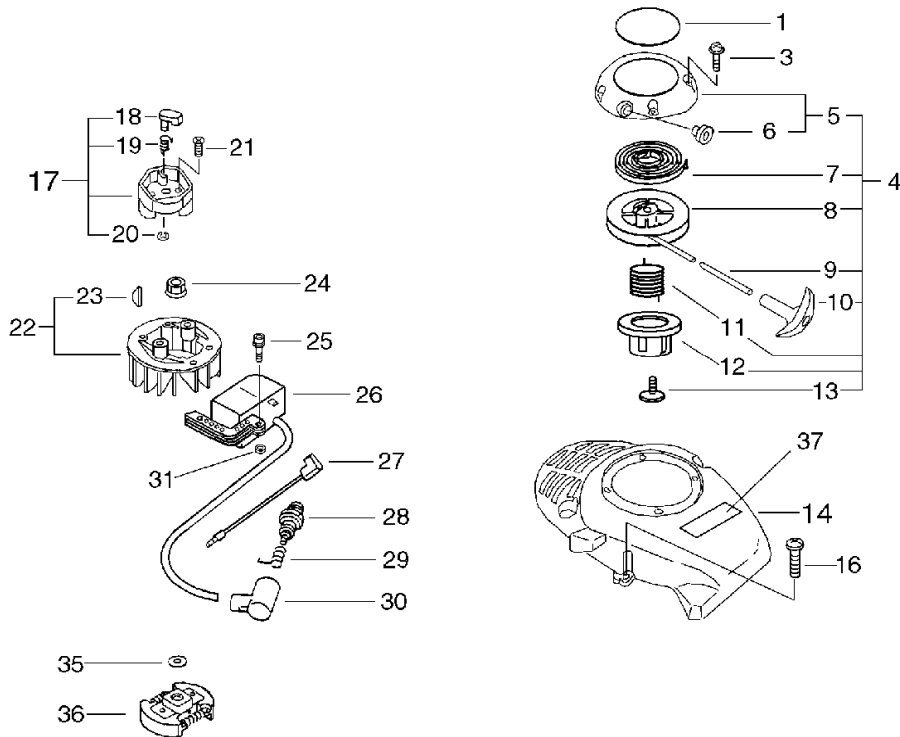
KEY	LV	PART NUMBER	Q'TY	DESCRIPTION	REMARKS	NOTE1	NOTE2
5		P021-003941	1	CRANK CASE SET			
6	+	100212-61830	2	OILSEAL	ISCD 10*20*5		
7	+	900162-05025	3	BOLT, H.S. 5*25	5*25 W,SW		
8	+	900810-36000	2	BEARING, BALL			
9	+	100242-61830	1	GASKET, CRANKCASE			
10	+	100215-03930	2	PIN, DOWEL			
11		A011-000180	1	CRANKSHAFT,ASM			
13		100000-61830	1	PISTON KIT			
13		P021-008710	1	PISTON KIT			
14	+	100012-61830	1	BEARING, NEEDLE			
15	+	100015-61830	2	RING, SNAP			
16	+	100013-61830	1	PIN, PISTON			
17	+	100011-05330	1	RING, PISTON			
17	+	A101-000090	1	RING,PISTON			
18		101010-61830	1	GASKET, CYL. BASE			
18		V100-000120	1	GASKET,CYL			
19		101011-61831	1	CYLINDER			
19		A130-000610	1	CYLINDER			
19		A130-000611	1	CYLINDER			
20		900162-05020	2	BOLT, H.S. 5*20	5*20 W,SW		
25		A160-000380	1	COVER,CYLINDER			
26		V323-000060	1	WASHER,CIRCULAR 5			
27		900239-05018	1	SCREW 5*18	5*18		

3. Starter, Magneto, Clutch(Sr/Nr 36006820 and before)



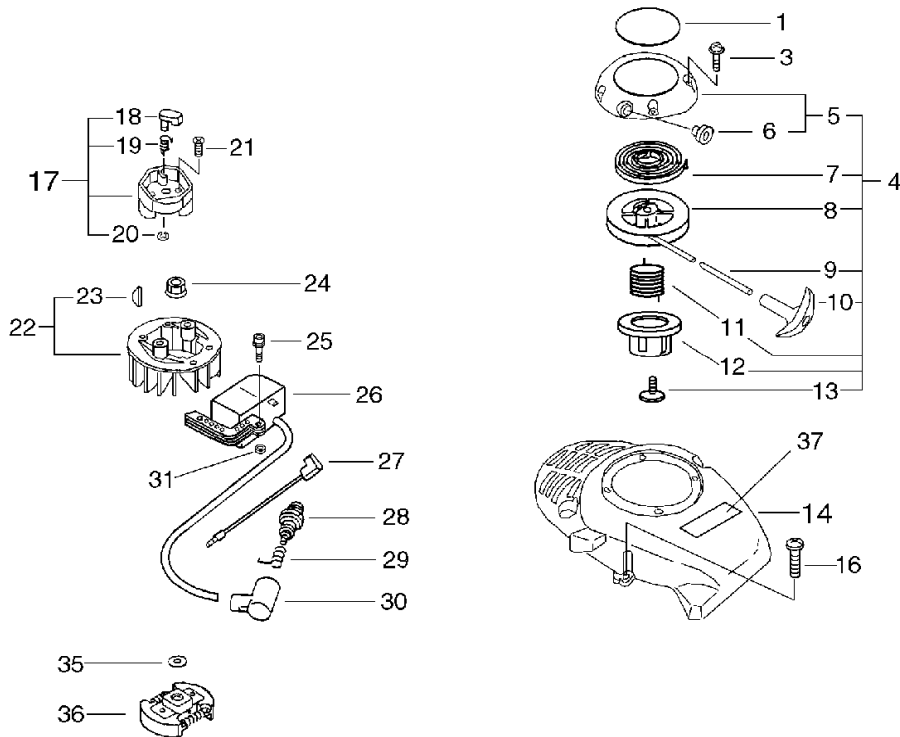
KEY	LV	PART NUMBER	Q'TY	DESCRIPTION	REMARKS	NOTE1	NOTE2
1		X502-000140	1	LABEL,ECHO		Sus. by X547-000210	
1		X547-000210	1	LABEL,ECHO	HC-30ES	Sus. by X502-000330	
3		900253-05020	2	SCREW 5*20	5*20		
4		P022-007740	1	STARTER ASY			
5	+	P022-006840	1	STARTER,RECOIL			
6	++	177227-42030	1	GUIDE, ROPE			
7	+	177220-42030	1	SPRING, REWIND			
8	+	P022-006830	1	DRUM			
9	+	P022-006800	1	ROPE, STARTER	3.0*880		
10	+	177228-44330	1	GRIP, STARTER			
11	+	V452-000150	1	SPRING,TORSION			
12	+	A507-000030	1	CATCHER,PAWL			
13	+	177236-61830	1	SCREW			
14		A172-000250	1	COVER,FAN			
15		X503-005050	1	LABEL,MODEL	HC-30ES	Sr/Nr 36003680 and before	
16		900239-05016	4	SCREW 5*16	5*16		
17		A052-000170	1	PULLEY,ASM STARTER			
18	+	P022-006850	2	PAWL, STARTER			
19	+	177234-05960	2	SPRING, RETURN			
20	+	P022-002100	2	E-RING	4		
21		900212-06014	2	SCREW 6*14	+SF6*14		
22		P021-003340	1	ROTOR,MAGNETO W/KEY			
23	+	100142-12330	1	KEY, WOODRUFF			

3. Starter, Magneto, Clutch(Sr/Nr 36006820 and before)



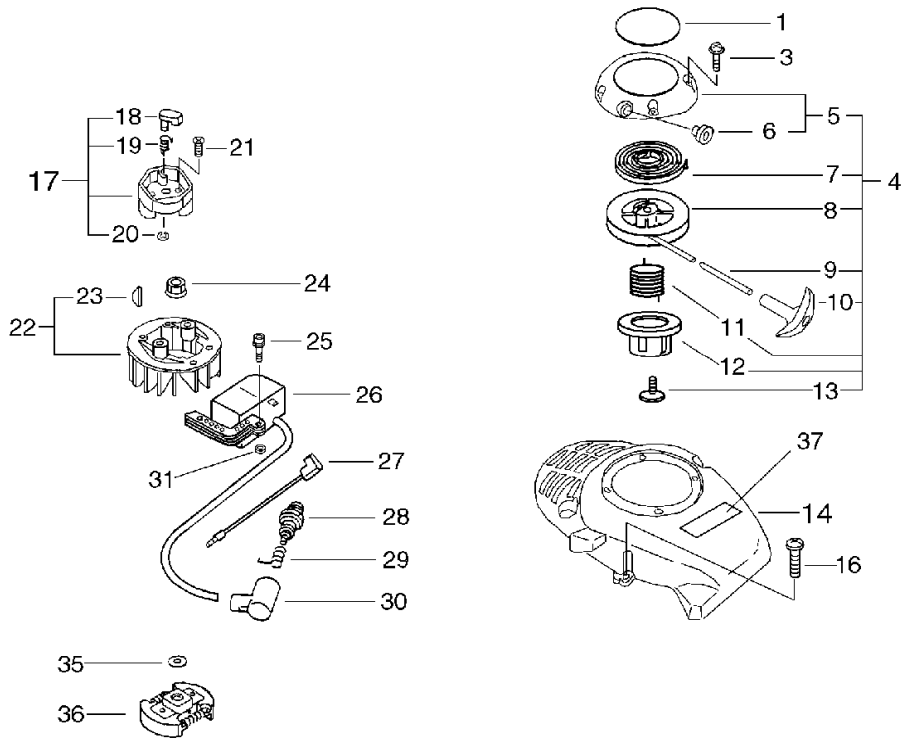
KEY	LV	PART NUMBER	Q'TY	DESCRIPTION	REMARKS	NOTE1	NOTE2
24		900515-00006	1	NUT, FLANGE 6	6		
25		900162-04020	2	BOLT, H.S. 4*20	4*20 W,SW	Sr/Nr 36001600 and before	
25		91128-04022	2	BOLT HSH	CM-4*22	Sr/Nr 36001601 and after	
26		A411-000100	1	COIL,IGNITION			
27		162010-55930	1	LEARD, GROUND	235L		
28		159010-10230	1	PLUG, SPARK (BPMR-7A	BPMR-7A		
29		159011-03432	1	COIL, SPARK PLUG			
30		159012-03433	1	CAP, SPARK PLUG			
31		150117-09130	1	SPACER		Sr/Nr 36001601 and after	
35		610350-12360	1	WASHER			
36		A056-000090	1	CLUTCH		Sus. by A056- 000091	

4. Starter, Magneto, Clutch(Sr/Nr 36006821 and after)



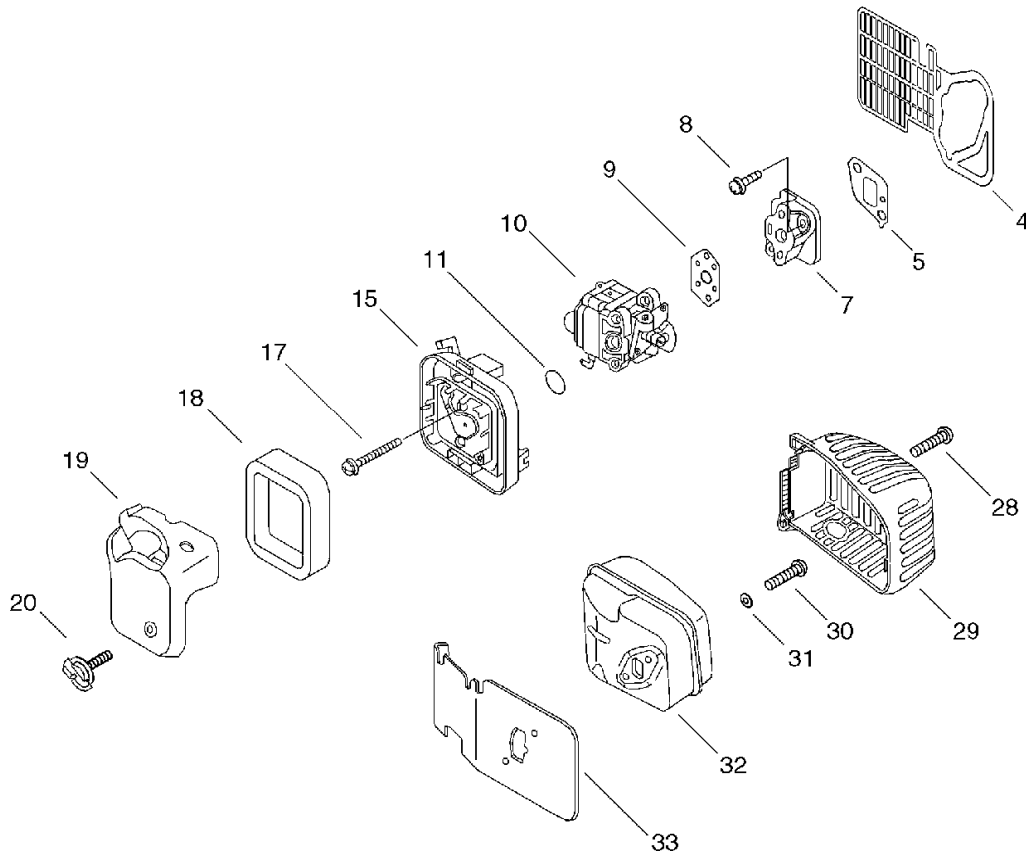
KEY	LV	PART NUMBER	Q'TY	DESCRIPTION	REMARKS	NOTE1	NOTE2
1		X547-000210	1	LABEL,ECHO	HC-30ES	Sus. by X502-000330	
1		X502-000330	1	LABEL,ECHO	ECHO		
3		900253-05020	2	SCREW 5*20	5*20		
4		P022-007740	1	STARTER ASY			
5	+	P022-006840	1	STARTER,RECOIL			
6	++	177227-42030	1	GUIDE, ROPE			
7	+	177220-42030	1	SPRING, REWIND			
8	+	P022-006830	1	DRUM			
9	+	P022-006800	1	ROPE, STARTER	3.0*880		
10	+	177228-44330	1	GRIP, STARTER			
11	+	V452-000150	1	SPRING,TORSION			
12	+	A507-000030	1	CATCHER,PAWL			
13	+	177236-61830	1	SCREW			
14		A172-000250	1	COVER,FAN			
16		900239-05016	4	SCREW 5*16	5*16		
17		A052-000170	1	PULLEY,ASM STARTER			
18	+	P022-006850	2	PAWL, STARTER			
19	+	177234-05960	2	SPRING, RETURN			
20	+	P022-002100	2	E-RING	4		
21		900212-06014	2	SCREW 6*14	+SF6*14		
22		P021-003340	1	ROTOR,MAGNETO W/KEY			
23	+	100142-12330	1	KEY, WOODRUFF			
25		91128-04022	2	BOLT HSH	CM-4*22		
26		A411-000100	1	COIL,IGNITION			
27		162010-55930	1	LEARD, GROUND	235L		

4. Starter, Magneto, Clutch(Sr/Nr 36006821 and after)



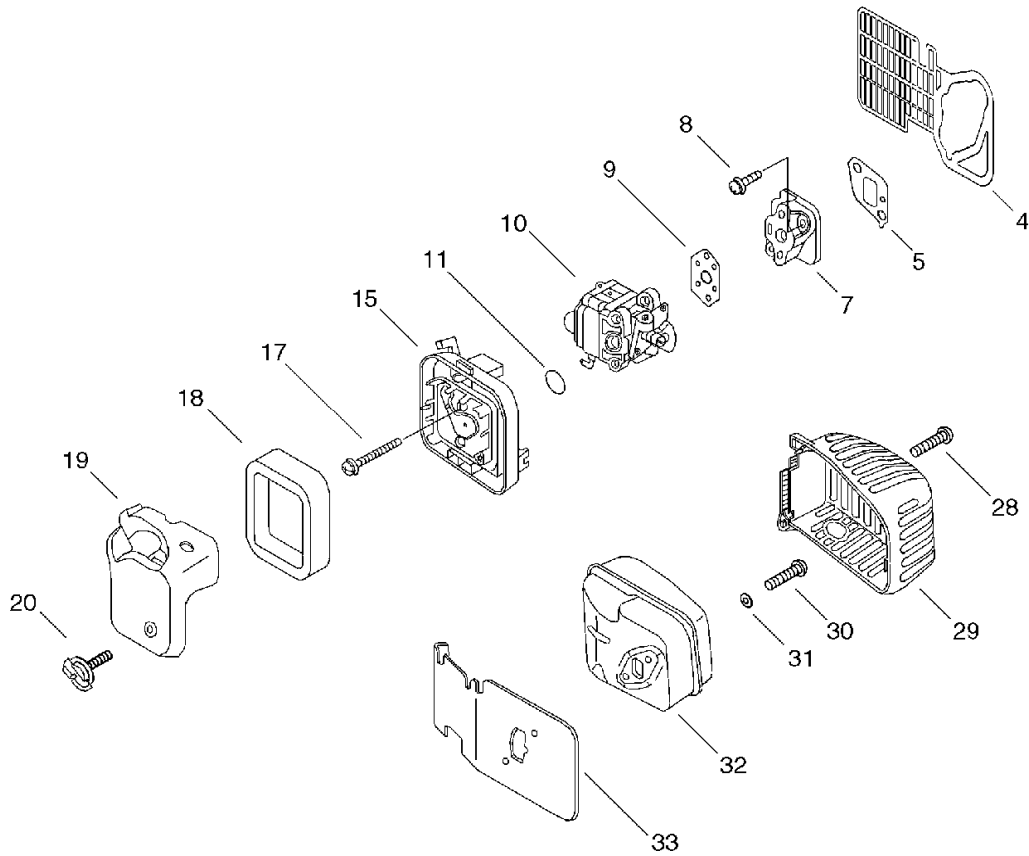
KEY	LV	PART NUMBER	Q'TY	DESCRIPTION	REMARKS	NOTE1	NOTE2
28		159010-10230	1	PLUG, SPARK (BPMR-7A	BPMR-7A		
29		159011-03432	1	COIL, SPARK PLUG			
30		159012-03433	1	CAP, SPARK PLUG			
31		150117-09130	2	SPACER			
35		610350-12360	1	WASHER			
36		A056-000090	1	CLUTCH		Sus. by A056-000091	
37		X543-000910	1	LABEL,MODEL	HC-30ES		

5. Air Cleaner, Muffler



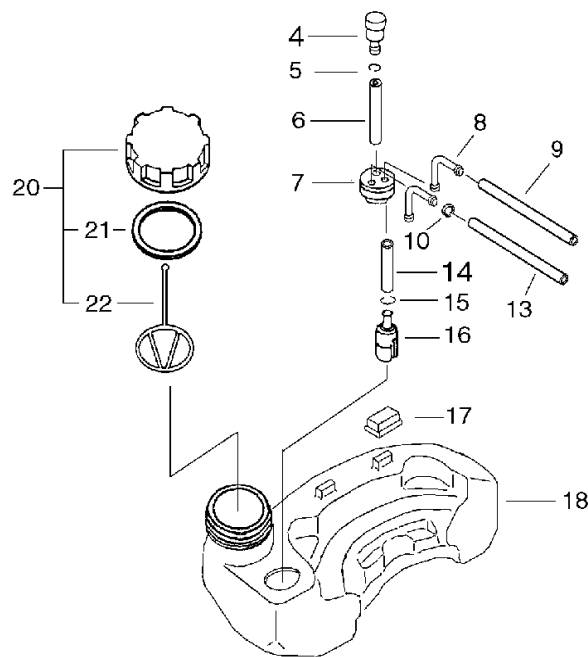
KEY	LV	PART NUMBER	Q'TY	DESCRIPTION	REMARKS	NOTE1	NOTE2
4		A128-000010	1	PLATE,DUST			
5		130010-61830	1	GASKET, INTAKE			
7		A200-000080	1	INSULATOR,INTAKE			
8		900238-05020	2	SCREW 5*20	5*20		
9		130010-44431	1	GASKET, INTAKE			
10		A021-000690	1	CARBURETOR,DIAPHRAGM		Sus. by A021-000691	
10		A021-000691	1	CARBURETOR,DIAPHRAGM	WYL-192A		
11		900720-00015	1	O-RING 15	P-15		
15		P021-006130	1	CASE, AIR CLEANER		Sus. by P021-006131	
15		P021-006131	1	CASE, AIR CLEANER			
17		900242-05050	2	SCREW 5*50	5*50		
18		A226-000130	1	ELEMENT,AIR FILTER			
19		A232-000130	1	LID,CLEANER			
20		V299-000190	1	KNOB,FASTENER			
28		900239-05016	1	SCREW 5*16	5*16		
29		A320-000121	1	COVER,MUFFLER			
30		900105-05050	2	BOLT, H.S. 5*50	5*50		
31		900600-00005	2	WASHER 5	5		
32		A300-000300	1	MUFFLER,EXHAUST		Sr/Nr 35003533 and before	
32		P021-008700	1	MUFFLER ASY		Sr/Nr 36001001 and after	
33		145510-61831	1	GASKET, MUFFLER		Sus. by 145510-61832	

5. Air Cleaner, Muffler



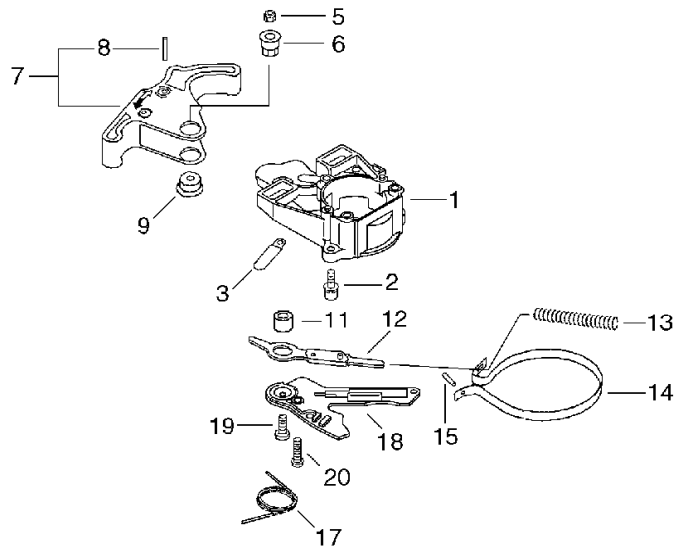
KEY	LV	PART NUMBER	Q'TY	DESCRIPTION	REMARKS	NOTE1	NOTE2
33		145510-61832	1	GASKET, MUFFLER			

6. Fuel Tank



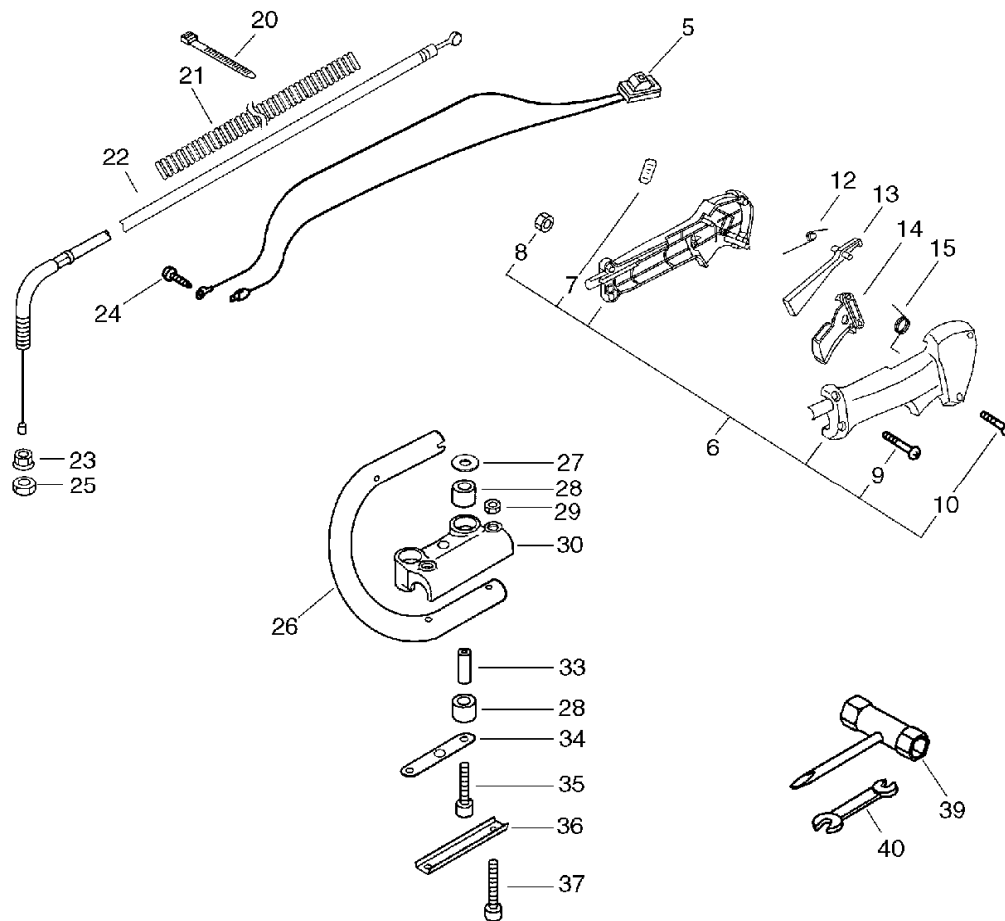
KEY	LV	PART NUMBER	Q'TY	DESCRIPTION	REMARKS	NOTE1	NOTE2
4		131300-56430	1	VALVE, CHECK			
5		132013-26630	1	CLIP	6.5MM		
6		132012-11960	1	PIPE 3*6*45	3*6*45 NBR		
7		132115-55930	1	GROMMET, FUEL			
8		V186-000080	2	JOINT, PIPE			
9		130110-54430	1	PIPE, IMPULSE	3*6*105 NBR		
10		132013-26630	1	CLIP	6.5MM		
13		V471-000630	1	PIPE			
14		132010-52830	1	PIPE	3*5*110 NBR		
15		132013-09820	1	CLIP	6MM		
16		131205-19830	1	STRAINER, FUEL		Sus. by 131205-19831	
17		131920-55430	4	CUSHION, FUEL TANK			
18		A350-000191	1	TANK, FUEL			
20		131004-55530	1	CAP ASSY, FUEL TANK			
21	+	131016-55830	1	GASKET, FUEL CAP			
22	+	131051-56030	1	CLIP, FUEL CAP	100L		

7. Brake



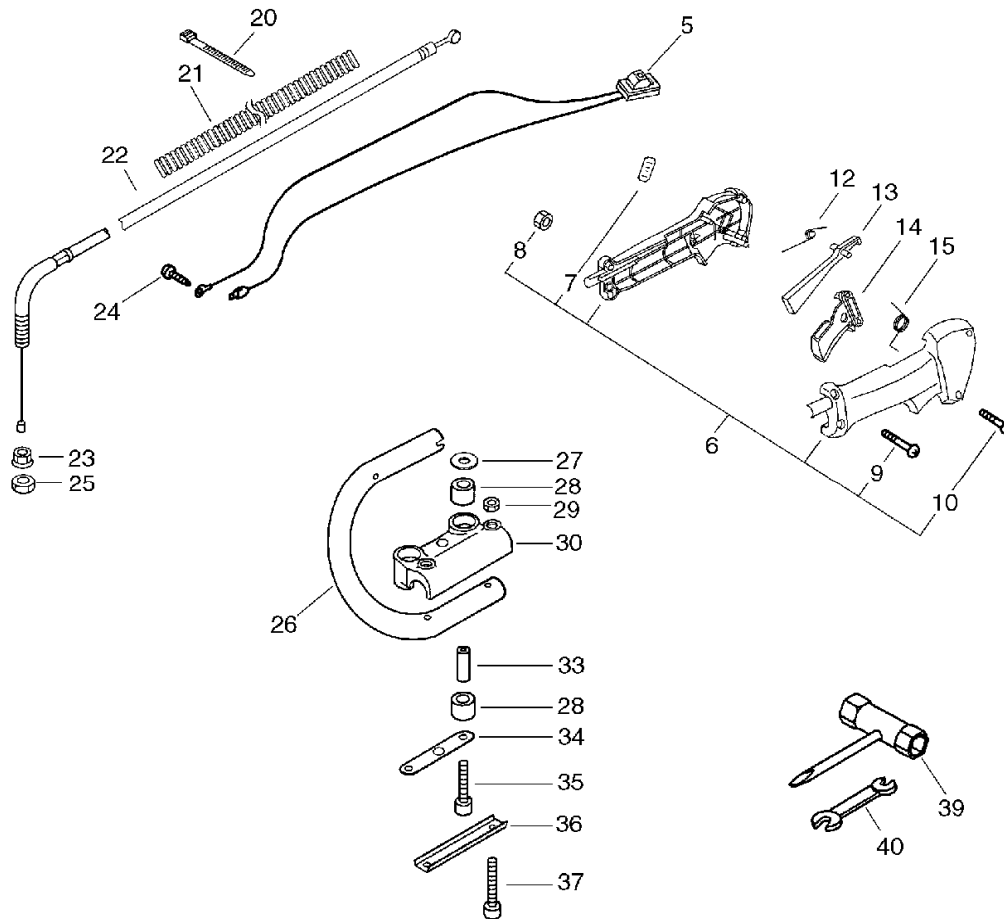
KEY	LV	PART NUMBER	Q'TY	DESCRIPTION	REMARKS	NOTE1	NOTE2
1		A570-000110	1	CASE,CLUTCH		Sus. by A570-000111	
1		A570-000111	1	CASE,CLUTCH			
2		900238-05016	3	SCREW 5*16	5*16		
3		159116-21231	1	CLAMP			
5		900560-00005	1	NUT, LOCK 5	5		
6		V353-000060	1	COLLAR,5			
7		P021-006410	1	LEVER, BRAKE			
8	+	900330-30240	2	PIN 3*24	3*23.8		
9		433167-39130	1	SPACER			
11		433116-35430	1	SPACER 8	8*12*9		
12		C334-000040	1	CONNECTOR,BRAKE		Sus. by C334-000041	
12		C334-000041	1	CONNECTOR,BRAKE			
13		V450-000380	1	SPRING,COMPRESSION			
14		C328-000040	1	BAND,BRAKE			
15		93050-30098	1	ROLLER	F3*9.8		
17		V452-000180	1	SPRING,TORSION			
18		C345-000130	1	COVER,BRAKE		Sus. by C345-000131	
18		C345-000131	1	COVER,BRAKE			
19		91335-04010	3	SCREW	4*10	Sus. by 900220-04010	
19		900220-04010	3	SCREW 4*10	4*10		
20		900209-05030	1	SCREW, 5*30	5*30		

8. Handle, Tools



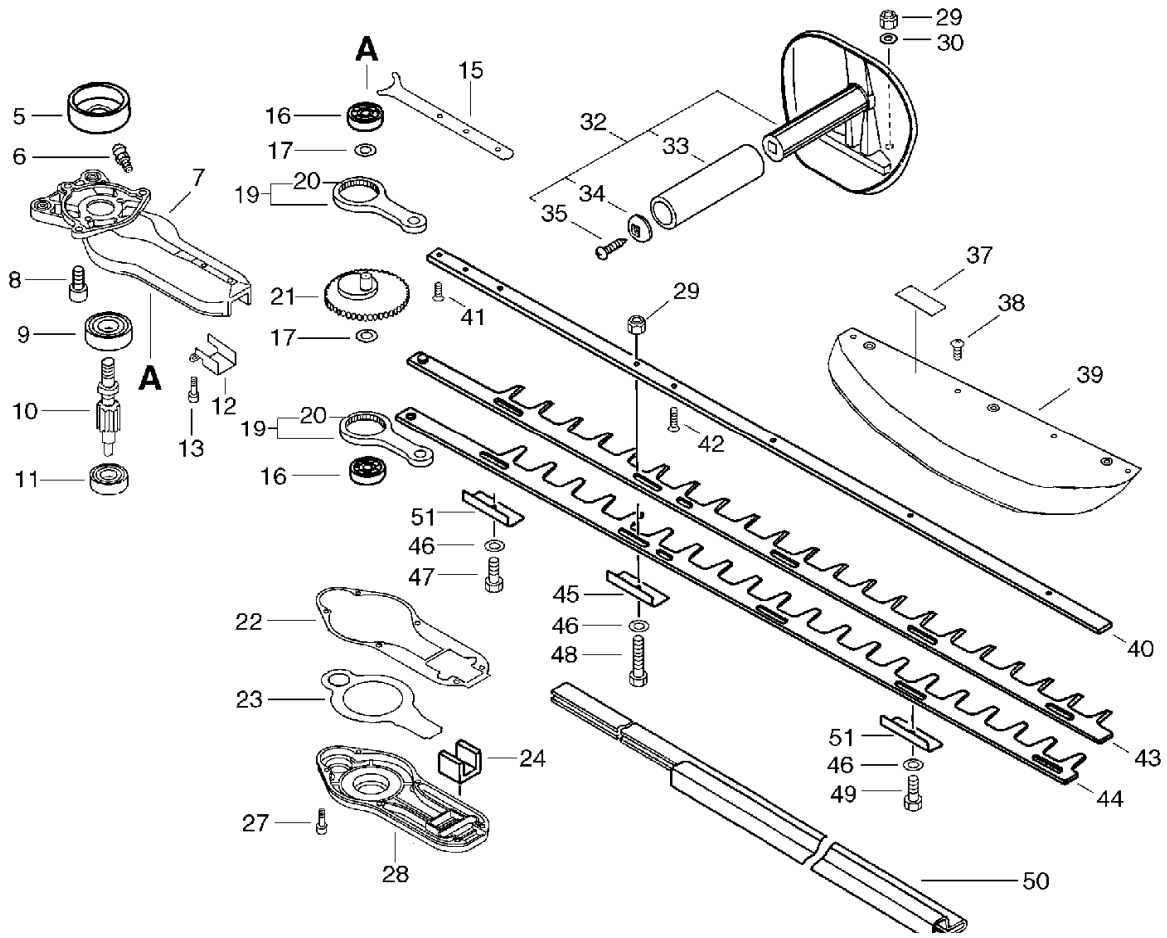
KEY	LV	PART NUMBER	Q'TY	DESCRIPTION	REMARKS	NOTE1	NOTE2
5		A440-000460	1	SWITCH,ON OFF			
6		P021-002611	1	GRIP ASY,F-HANDLE		Sus. by P021-002612	
6		P021-002612	1	GRIP ASY,F-HANDLE			
7	+	V162-000130	1	PLUG			
8	+	900500-00005	1	NUT 5	5		
9	+	900220-05030	1	SCREW 5*30	5*30		
10	+	900253-04016	3	SCREW 4*16	4*16		
12		V452-000050	1	SPRING,TORSION			
13		C460-000011	1	LOCKOUT,THROTTLE			
14		C450-000022	1	TRIGGER,THROTTLE			
15		V452-000060	1	SPRING,TORSION			
20		V495-000300	1	BAND	CV-150	Sus. by 178121-43230	
20		178121-43230	1	BAND	CV-150 BL		
21		162110-56530	1	TUBE	7*175		
22		V430-000980	1	CABLE,BOWDEN			
23		900502-00006	2	NUT 6 (3N)	3N6	Sus. by 900502-00006 Q'ty:1 and 900515-00006 Q'ty:1	
23		900515-00006	1	NUT, FLANGE 6	6	Sus. by 900518-00006	
23		900518-00006	1	NUT, FLANGE	6		
24		900238-05010	1	SCREW 5*10	5*10		
25		900502-00006	1	NUT 6 (3N)	3N6		

8. Handle, Tools



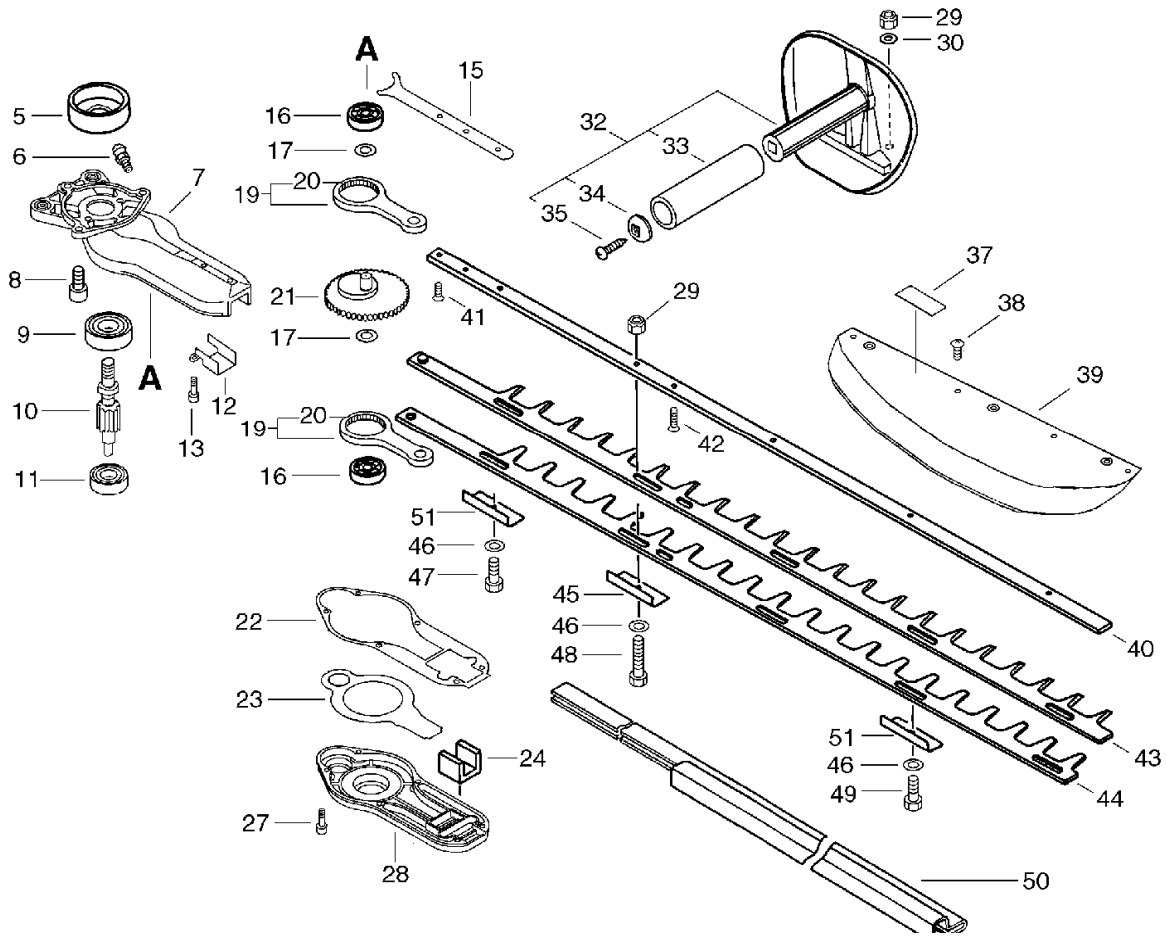
KEY	LV	PART NUMBER	Q'TY	DESCRIPTION	REMARKS	NOTE1	NOTE2
26		C410-000170	1	HANDLE, REAR			
27		300217-00610	2	WASHER			
28		351228-07760	4	CUSHION			
29		900500-00005	2	NUT 5	5		
30		351217-07761	1	SUPPORTER, HANDLE			
33		351241-01260	2	SPASER			
34		351242-06961	1	PLATE, EYE			
35		900162-05045	2	BOLT, H.S. 5*45	5*45 W,SW		
36		351243-01260	1	BRACKET			
37		900162-05035	2	BOLT, H.S. 5*35	5*35 W,SW		
39		895410-00430	1	WRENCH, W/S. DRIVER		Sus. by 895410-03930	
40		895112-00330	1	SPANNER 8*10			

9. Gear Case, Cutter



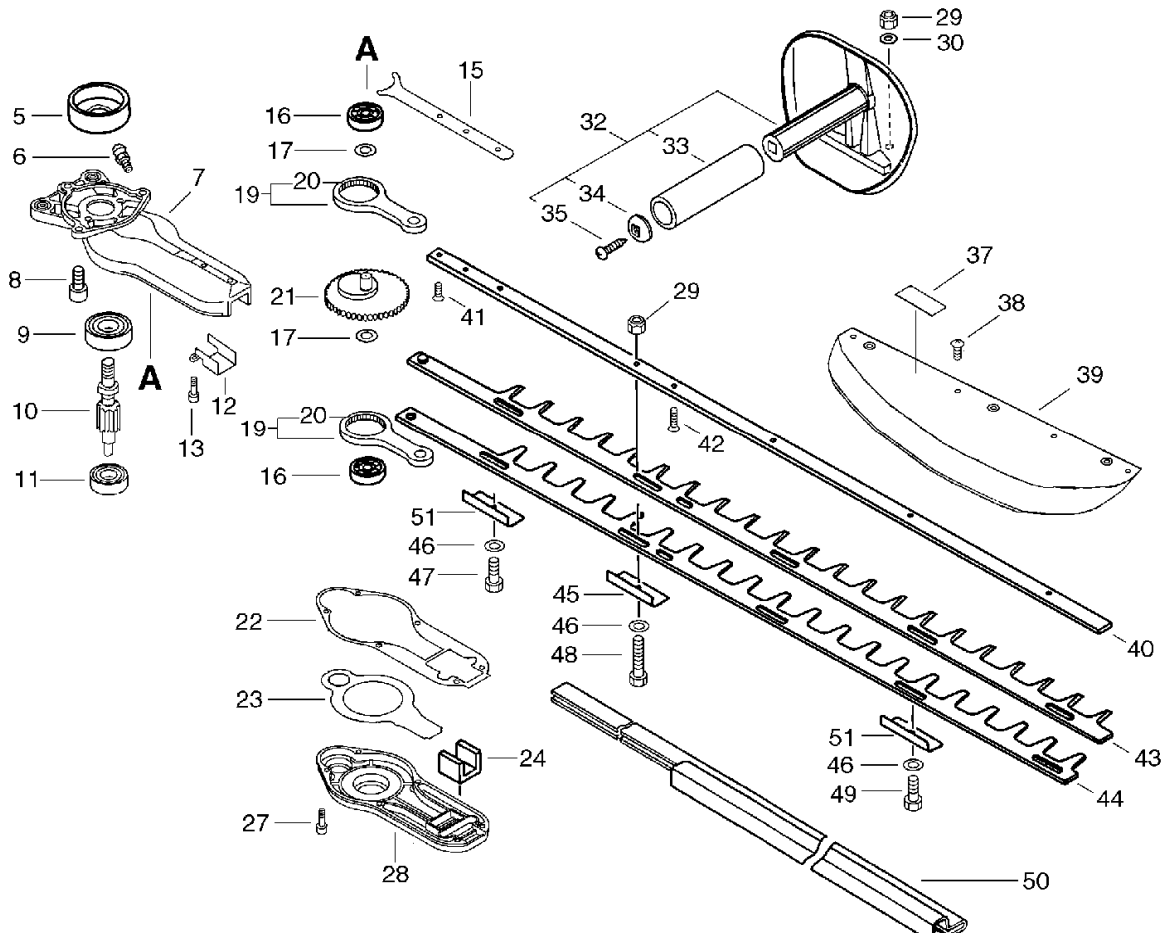
KEY	LV	PART NUMBER	Q'TY	DESCRIPTION	REMARKS	NOTE1	NOTE2
5		A556-000300	1	DRUM,CLUTCH		Sus. by A556-000301	
5		A556-000301	1	DRUM,CLUTCH			
6		880110-10860	1	NIPPLE, GREASE			
7		C531-000210	1	CASE,GEAR		Sus. by C531-000270	
7		C531-000270	1	CASE,GEAR			
8		900162-06018	3	BOLT, H.S.H	6*18 W, SW		
9		900812-06200	1	BEARING, BALL 6200	6200DDU(LLU)		
10		V650-000160	1	GEAR,SPUR			
11		900804-00608	1	BEARING, BALL 608	608ZZ		
12		C538-000090	1	GUIDE,CUTTER			
13		900162-04016	2	BOLT, H.S. 4*16	4*16 W,SW		
15		V150-001240	1	PLATE,EYE			
16		900810-06200	2	BEARING, BALL 6200	6200		
17		100014-17330	2	SPACER, PISTON PIN			
19		P021-008400	2	ROD,CONNECTING			
20	+	610327-01261	2	BEARING, NEEDLE			
21		V060-000030	1	GEAR,SPUR			
22		V110-000030	1	GASKET,GEAR CASE			
23		C542-000020	1	PLATE,CASE LID			
24		V541-000100	1	SEAL			
27		900162-04016	6	BOLT, H.S. 4*16	4*16 W,SW		
28		C531-000220	1	GEAR CASE		Sus. by C531-000280	
28		C531-000280	1	CASE,GEAR			

9. Gear Case, Cutter



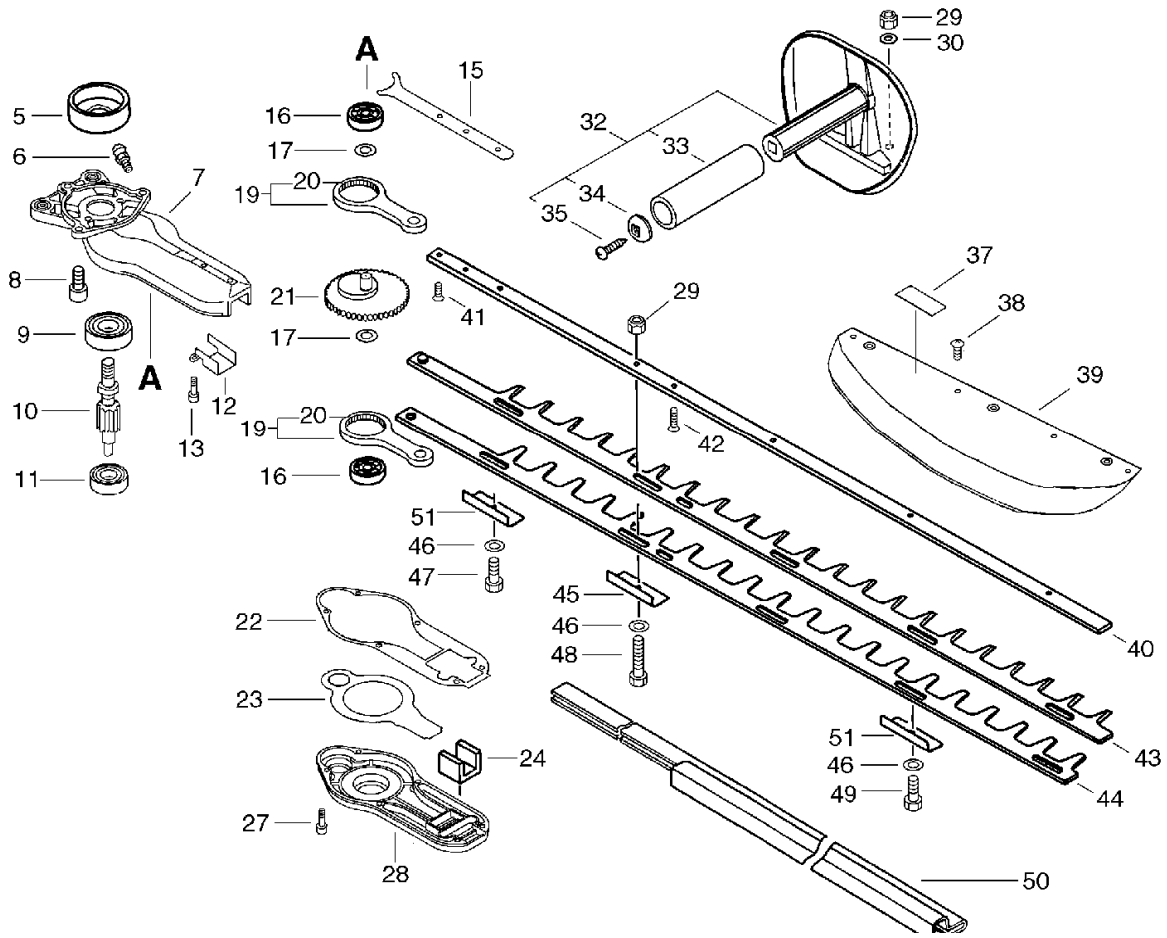
KEY	LV	PART NUMBER	Q'TY	DESCRIPTION	REMARKS	NOTE1	NOTE2
29		433022-06460	6	NUT			
30		900603-00006	2	WASHER 6	6.5*13*1		
32		351200-07360	1	HANDLE ASSY		Sus. by 351200-07363	
32		351200-07361	1	HANDLE ASY		Sus. by 351200-07363	
32		351200-07362	1	HANDLE ASY		Sus. by 351200-07363	
32		351200-07363	1	HANDLE ASY			
33	+	351012-07360	1	GRIP, HANDLE	22*32*155L		
34	+	351217-07360	1	SUPPORTER, F. HANDLE		Sus. by 351217-07361	
34	+	351217-07361	1	SUPPORTER, F. HANDLE			
35	+	900253-05014	1	SCREW 5*14	5*14		
37		890617-07660	1	LABEL, CAUTION		Sus. by X505-002030	
37		X505-002030	1	LABEL, CAUTION	37*35		
38		900209-05010	4	SCREW, 5*10	5*10		
39		C571-000010	1	GUIDE, COLLECTION			
40		X425-000150	1	SUPPORT, CUTTER		Sus. by X425-000152	
40		X425-000152	1	SUPPORT, CUTTER		Sus. by X425-000153	
40		X425-000153	1	SUPPORT, CUTTER		Sus. by X425-000154	
42		91103-06030	1	BOLT HSH	6*30		

9. Gear Case, Cutter



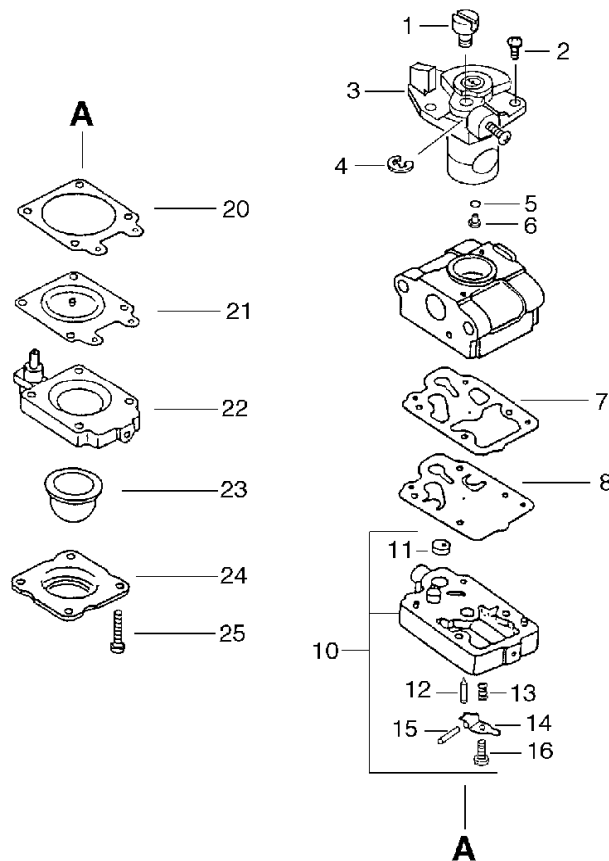
KEY	LV	PART NUMBER	Q'TY	DESCRIPTION	REMARKS	NOTE1	NOTE2
43		X411-000240	1	CUTTER	UPPER L827	Sus. by X411-000243	
43		X411-000241	1	CUTTER		Sus. by X411-000243	
43		X411-000242	1	CUTTER		Sus. by X411-000243	
43		X411-000243	1	CUTTER			
44		X411-000250	1	CUTTER	LOWER L827	Sus. by X411-000253	
44		X411-000251	1	CUTTER		Sus. by X411-000253	
44		X411-000252	1	CUTTER		Sus. by X411-000253	
44		X411-000253	1	CUTTER			
45		699213-02062	5	INSULATOR		Sus. by 699213-02063	
45		699213-02063	5	INSULATOR		Sus. by 699213-02063 Q'ty:1 and 699213-04160 Q'ty:4	
45		699213-02063	1	INSULATOR			
46		699118-01261	5	WASHER			
47		699115-08960	1	BOLT, CUTTER			
48		351027-02060	1	BOLT			
49		699115-02062	3	BOLT			
50		898523-02961	1	COVER, CUTTER			

9. Gear Case, Cutter



KEY	LV	PART NUMBER	Q'TY	DESCRIPTION	REMARKS	NOTE1	NOTE2
51		699213-04160	4	INSULATOR			

10. Carburetor



KEY	LV	PART NUMBER	Q'TY	DESCRIPTION	REMARKS	NOTE1	NOTE2
		A021-000690	1	CARBURETOR,DIAPHRAGM		Sus. by A021-000691	
		A021-000691	1	CARBURETOR,DIAPHRAGM	WYL-192A		
1	+	123172-45130	1	SWIVEL			
2	+	123114-44330	2	SCREW			
3	+	P003-000800	1	VALVE THROTTLE		Can be used on A021-000690 only	
4	+	123173-07930	1	CLIP			
5	+	123183-40630	1	O-RING			
6	+	P003-000280	1	JET			
7	+	123125-40630	1	GASKET, PUMP			
8	+	123112-40630	1	DIAPHRAGM, PUMP			
10	+	P003-000780	1	BODY ASY,PUMP			
11	++	123126-10631	1	SCREEN, INLET			
12	++	123137-19830	1	VALVE, INLET NEEDLE			
13	++	123122-05560	1	SPRING, METER. LEVER			
14	++	123123-03930	1	LEVER, METERING			
15	++	123138-03930	1	PIN, METERING LEVER			
16	++	123139-05560	1	SCREW, M. LEVER PIN			
20	+	123140-05560	1	GASKET, M. DIAPHRAGM			
21	+	P003-000090	1	METERING, DIAPHRAGM			
22	+	123180-05560	1	BODY, AIR PURGE			
23	+	123181-40630	1	PUMP, PRIMER			
24	+	123142-05560	1	COVER, PRIMER PUMP			
25	+	123110-05560	4	SCREW, PUMP COVER			

Index

Patrs Number	Key No.	Patrs Number	Key No.	Patrs Number	Key No.
100000-61830	1 - 13	132010-52830	6 - 14	610327-01261	9 - 20
100000-61830	2 - 13	132012-11960	6 - 6	610350-12360	3 - 35
100011-05330	1 - 17	132013-09820	6 - 15	610350-12360	4 - 35
100011-05330	2 - 17	132013-26630	6 - 5	699115-02062	9 - 49
100012-61830	1 - 14	132013-26630	6 - 10	699115-08960	9 - 47
100012-61830	2 - 14	132115-55930	6 - 7	699118-01261	9 - 46
100013-61830	1 - 16	145510-61831	5 - 33	699213-02062	9 - 45
100013-61830	2 - 16	145510-61832	5 - 33	699213-02063	9 - 45
100014-17330	9 - 17	150117-09130	3 - 31	699213-02063	9 - 45
100015-61830	1 - 15	150117-09130	4 - 31	699213-04160	9 - 51
100015-61830	2 - 15	150117-16430	1 - 26	880110-10860	9 - 6
100142-12330	3 - 23	159010-10230	3 - 28	890617-07660	9 - 37
100142-12330	4 - 23	159010-10230	4 - 28	895112-00330	8 - 40
100212-61830	1 - 6	159011-03432	3 - 29	895410-00430	8 - 39
100212-61830	2 - 6	159011-03432	4 - 29	898523-02961	9 - 50
100215-03930	1 - 10	159012-03433	3 - 30	900105-05050	5 - 30
100215-03930	2 - 10	159012-03433	4 - 30	900162-04016	9 - 13
100242-61830	1 - 9	159116-21231	7 - 3	900162-04016	9 - 27
100242-61830	2 - 9	162010-55930	3 - 27	900162-04020	3 - 25
101010-61830	1 - 18	162010-55930	4 - 27	900162-05020	1 - 20
101010-61830	2 - 18	162110-56530	8 - 21	900162-05020	2 - 20
101011-61831	1 - 19	177220-42030	3 - 7	900162-05025	1 - 7
101011-61831	2 - 19	177220-42030	4 - 7	900162-05025	2 - 7
123110-05560	10 - 25	177227-42030	3 - 6	900162-05035	8 - 37
123112-40630	10 - 8	177227-42030	4 - 6	900162-05045	8 - 35
123114-44330	10 - 2	177228-44330	3 - 10	900162-06018	9 - 8
123122-05560	10 - 13	177228-44330	4 - 10	900209-05010	9 - 38
123123-03930	10 - 14	177234-05960	3 - 19	900209-05030	7 - 20
123125-40630	10 - 7	177234-05960	4 - 19	900212-06014	3 - 21
123126-10631	10 - 11	177236-61830	3 - 13	900212-06014	4 - 21
123137-19830	10 - 12	177236-61830	4 - 13	900220-04010	7 - 19
123138-03930	10 - 15	178121-43230	8 - 20	900220-05030	8 - 9
123139-05560	10 - 16	300217-00610	8 - 27	900238-05010	8 - 24
123140-05560	10 - 20	351012-07360	9 - 33	900238-05016	7 - 2
123142-05560	10 - 24	351027-02060	9 - 48	900238-05020	5 - 8
123172-45130	10 - 1	351200-07360	9 - 32	900239-05016	3 - 16
123173-07930	10 - 4	351200-07361	9 - 32	900239-05016	4 - 16
123180-05560	10 - 22	351200-07362	9 - 32	900239-05016	5 - 28
123181-40630	10 - 23	351200-07363	9 - 32	900239-05018	1 - 27
123183-40630	10 - 5	351217-07360	9 - 34	900239-05018	2 - 27
130010-44431	5 - 9	351217-07361	9 - 34	900242-05050	5 - 17
130010-61830	5 - 5	351217-07761	8 - 30	900253-04016	8 - 10
130110-54430	6 - 9	351228-07760	8 - 28	900253-05014	9 - 35
131004-55530	6 - 20	351241-01260	8 - 33	900253-05020	3 - 3
131016-55830	6 - 21	351242-06961	8 - 34	900253-05020	4 - 3
131051-56030	6 - 22	351243-01260	8 - 36	900330-30240	7 - 8
131205-19830	6 - 16	433022-06460	9 - 29	900500-00005	8 - 8
131300-56430	6 - 4	433116-35430	7 - 11	900500-00005	8 - 29
131920-55430	6 - 17	433167-39130	7 - 9	900502-00006	8 - 23

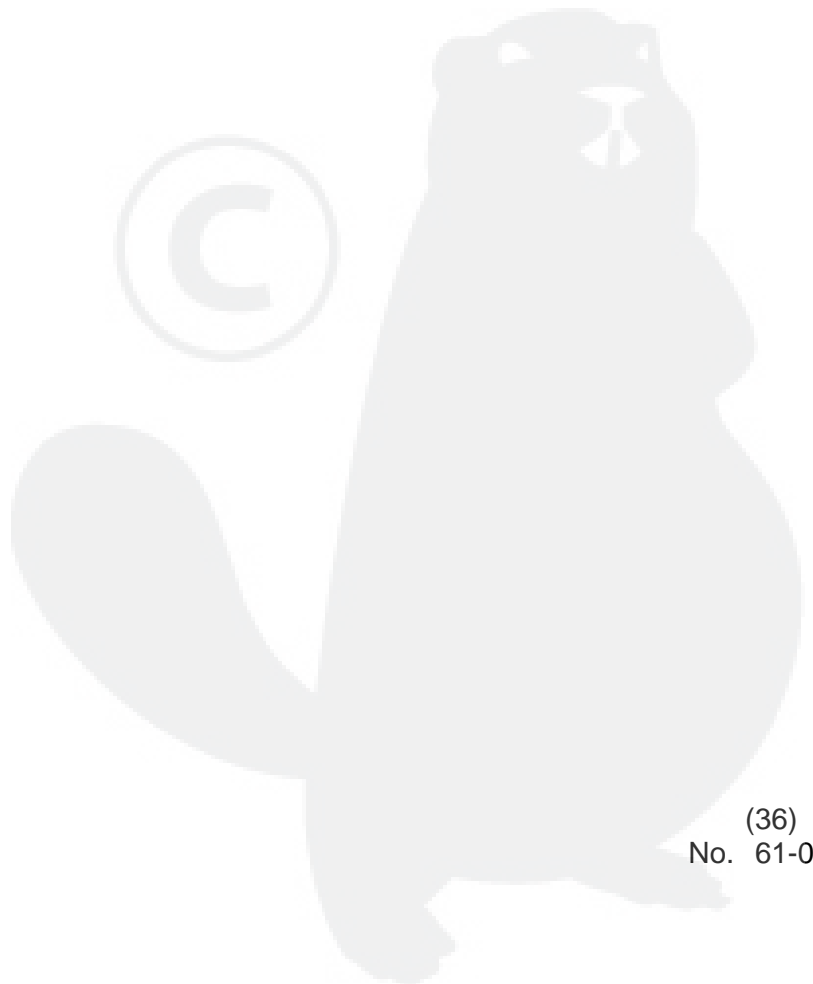
Index

Patrs Number	Key No.	Patrs Number	Key No.	Patrs Number	Key No.
900502-00006	8 - 25	A507-000030	4 - 12	V060-000030	9 - 21
900515-00006	3 - 24	A556-000300	9 - 5	V100-000120	1 - 18
900515-00006	8 - 23	A556-000301	9 - 5	V100-000120	2 - 18
900518-00006	8 - 23	A570-000110	7 - 1	V110-000030	9 - 22
900560-00005	7 - 5	A570-000111	7 - 1	V150-001240	9 - 15
900600-00005	5 - 31	C328-000040	7 - 14	V162-000130	8 - 7
900603-00006	9 - 30	C334-000040	7 - 12	V186-000080	6 - 8
900720-00015	5 - 11	C334-000041	7 - 12	V299-000190	5 - 20
900804-00608	9 - 11	C345-000130	7 - 18	V323-000060	2 - 26
900810-06200	9 - 16	C345-000131	7 - 18	V353-000060	7 - 6
900810-36000	1 - 8	C410-000170	8 - 26	V430-000980	8 - 22
900810-36000	2 - 8	C450-000022	8 - 14	V450-000380	7 - 13
900812-06200	9 - 9	C460-000011	8 - 13	V452-000050	8 - 12
91103-06030	9 - 42	C531-000210	9 - 7	V452-000060	8 - 15
91128-04022	3 - 25	C531-000220	9 - 28	V452-000150	3 - 11
91128-04022	4 - 25	C531-000270	9 - 7	V452-000150	4 - 11
91335-04010	7 - 19	C531-000280	9 - 28	V452-000180	7 - 17
93050-30098	7 - 15	C538-000090	9 - 12	V471-000630	6 - 13
A011-000180	1 - 11	C542-000020	9 - 23	V495-000300	8 - 20
A011-000180	2 - 11	C571-000010	9 - 39	V541-000100	9 - 24
A021-000690	10 -	P003-000090	10 - 21	V650-000160	9 - 10
A021-000690	5 - 10	P003-000280	10 - 6	X411-000240	9 - 43
A021-000691	10 -	P003-000780	10 - 10	X411-000241	9 - 43
A021-000691	5 - 10	P003-000800	10 - 3	X411-000242	9 - 43
A052-000170	3 - 17	P021-002611	8 - 6	X411-000243	9 - 43
A052-000170	4 - 17	P021-002612	8 - 6	X411-000250	9 - 44
A056-000090	3 - 36	P021-003340	3 - 22	X411-000251	9 - 44
A056-000090	4 - 36	P021-003340	4 - 22	X411-000252	9 - 44
A101-000090	1 - 17	P021-003941	1 - 5	X411-000253	9 - 44
A101-000090	2 - 17	P021-003941	2 - 5	X425-000150	9 - 40
A128-000010	5 - 4	P021-006130	5 - 15	X425-000152	9 - 40
A130-000610	1 - 19	P021-006131	5 - 15	X425-000153	9 - 40
A130-000610	2 - 19	P021-006410	7 - 7	X502-000140	3 - 1
A130-000611	1 - 19	P021-008400	9 - 19	X502-000330	4 - 1
A130-000611	2 - 19	P021-008700	5 - 32	X503-005050	3 - 15
A160-000380	1 - 25	P021-008710	1 - 13	X505-002030	9 - 37
A160-000380	2 - 25	P021-008710	2 - 13	X543-000910	4 - 37
A172-000250	3 - 14	P022-002100	3 - 20	X547-000210	3 - 1
A172-000250	4 - 14	P022-002100	4 - 20	X547-000210	4 - 1
A200-000080	5 - 7	P022-006800	3 - 9		
A226-000130	5 - 18	P022-006800	4 - 9		
A232-000130	5 - 19	P022-006830	3 - 8		
A300-000300	5 - 32	P022-006830	4 - 8		
A320-000121	5 - 29	P022-006840	3 - 5		
A350-000191	6 - 18	P022-006840	4 - 5		
A411-000100	3 - 26	P022-006850	3 - 18		
A411-000100	4 - 26	P022-006850	4 - 18		
A440-000460	8 - 5	P022-007740	3 - 4		
A507-000030	3 - 12	P022-007740	4 - 4		

YAMABIKO CORPORATION

7-2 SUEHIROCHO 1-CHOME, OHME, TOKYO 198-8760, JAPAN
PHONE: 81-428-32-6118. FAX: 81-428-32-6145.

ECHO®



(36)
No. 61-085