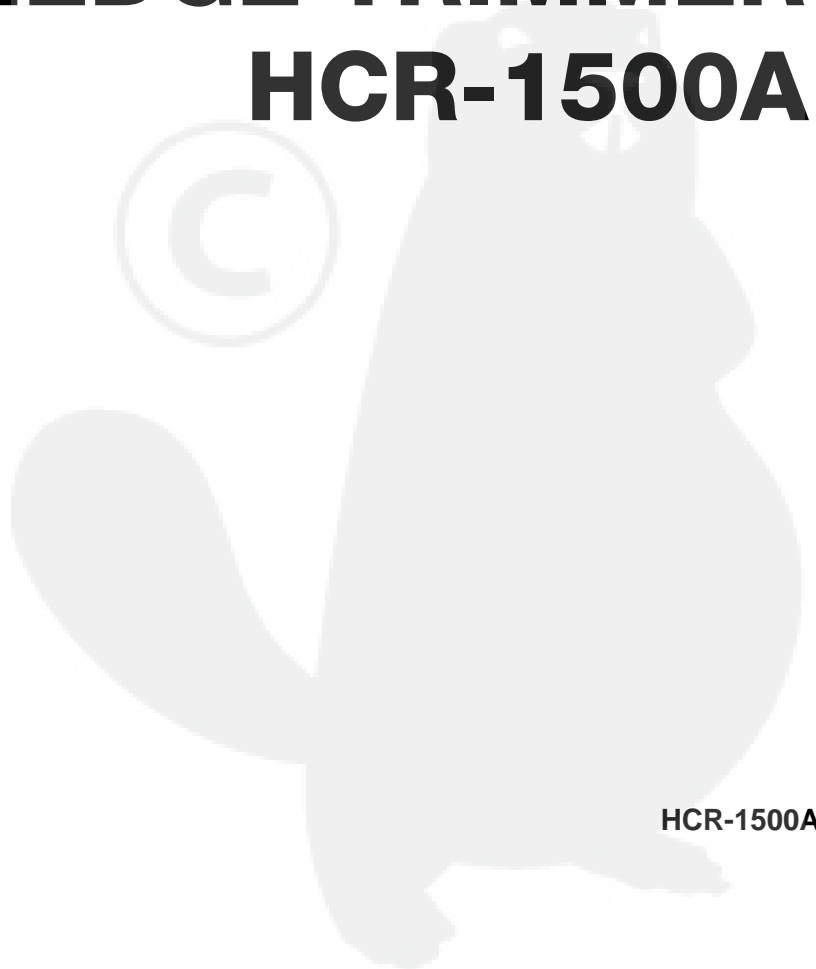




PARTS CATALOG

HEDGE TRIMMER

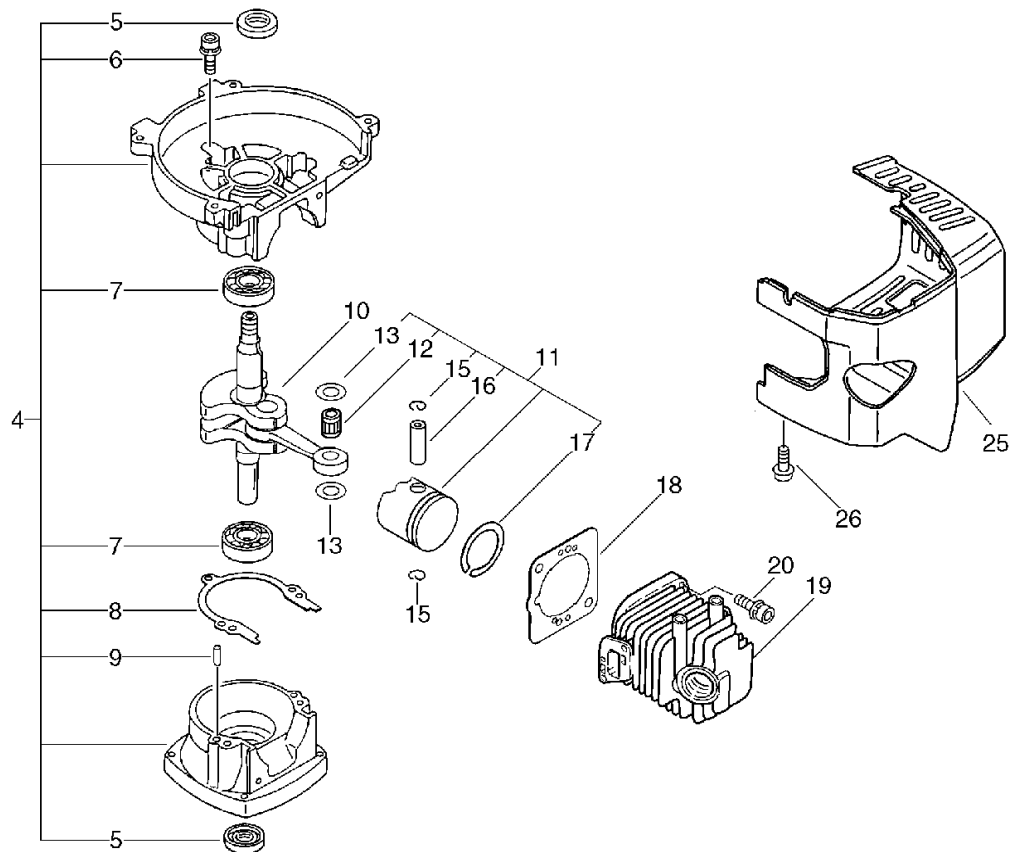
HCR-1500A



HCR-1500A

1. Cylinder, Crankcase, Piston

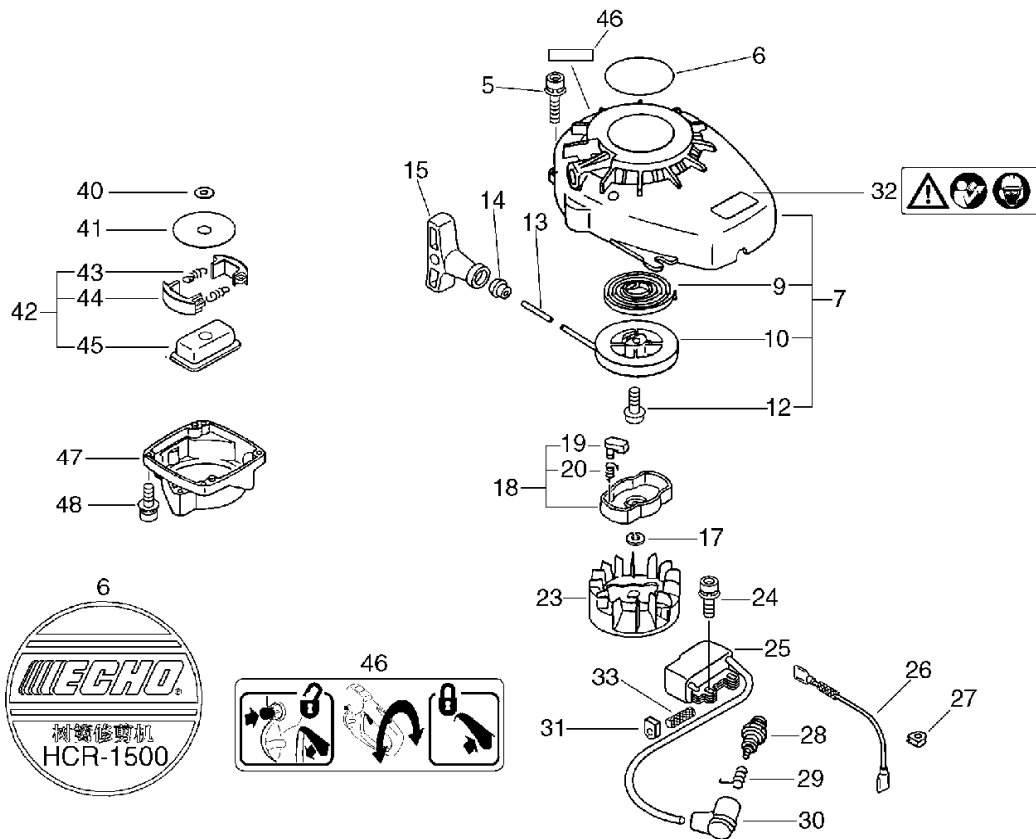
No.1



KEY	LV	PART NUMBER	Q'TY	DESCRIPTION	REMARKS	NOTE1	NOTE2
4		100204-05361	1	CRANKCASE KIT			
5	+	100212-42031	2	OILSEAL	ISCD 12*22*4.5		
6	+	900162-05028	3	BOLT, H.S. 5*28	5*28 W,SW		
7	+	94035-36201	2	BEARING BALL	6201X3JR2C3		
8	+	100242-42030	1	GASKET, CRANKCASE			
9	+	100215-03930	2	PIN, DOWEL			
10		A011-000410	1	CRANKSHAFT,ASY		Sus. by A011-000411	
10		A011-000411	1	CRANKSHAFT,ASY			
11		P021-007772	1	PISTON KIT			
12	+	100113-05930	1	BEARING, NEEDLE	8*12*8		
13	+	100014-08960	2	SPACER, PISTON PIN			
15	+	100015-04630	2	CIRCLIP, PISTON PIN			
16	+	100013-11520	1	PIN, PISTON			
17	+	A101-000090	1	RING,PISTON			
18		V100-000080	1	GASKET,CYL			
19		A130-000531	1	CYLINDER			
20		900162-05022	2	BOLT, H.S. 5*22	5*22 W,SW		
25		101506-06561	1	COVER, CYLINDER			
26		900162-04020	2	BOLT, H.S. 4*20	4*20 W,SW		

2. Starter, Magneto, Clutch

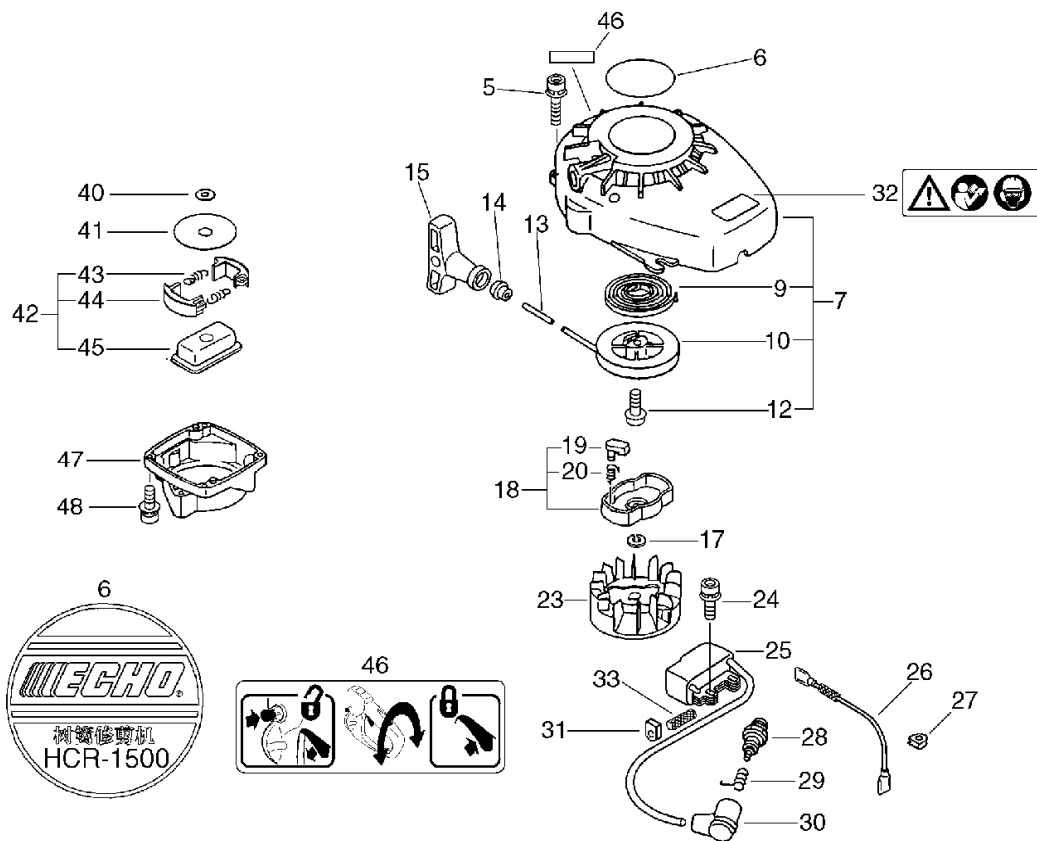
No.2



KEY	LV	PART NUMBER	Q'TY	DESCRIPTION	REMARKS	NOTE1	NOTE2
5		900162-04016	4	BOLT, H.S. 4*16	4*16 W,SW		
6		X547-000030	1	LABEL,ECHO		Sus. by X547-000031	
6		X547-000031	1	LABEL,ECHO	HCR-1500A		
7		177200-06562	1	STARTER ASSY		Sus. by 177200-06563	
7		177200-06563	1	STARTER ASSEMBLY			
9	+	177220-42030	1	SPRING, REWIND			
10	+	177215-44430	1	DRUM, STARTER			
12	+	177236-44330	1	SCREW			
13	+	177226-05530	1	ROPE, STARTER	3*890		
14	+	177227-42030	1	GUIDE, ROPE			
15	+	177228-06530	1	GRIP, STARTER			
17		900605-00008	1	WASHER, SPRING 8	8		
18		177202-12220	1	PAWL ASSY, STARTER			
19	+	177218-44330	1	PAWL, STARTER	BLACK		
20	+	177234-12220	1	SPRING, PAWL			
23		A409-000150	1	ROTOR,MAGNETO			
24		900162-04020	2	BOLT, H.S. 4*20	4*20 W,SW	Sus. by 91113-04020	
24		91113-04020	2	BOLT	CM-4*20 SW,W		
25		A411-000130	1	COIL,IGNITION			
26		V485-000610	1	LEAD	L=220		
27		156114-04920	1	GROMMET			
28		159010-30330	1	PLUG, SPARK (BPM-6Y)	BPM-6Y		
29		159011-03432	1	COIL, SPARK PLUG			

2. Starter, Magneto, Clutch

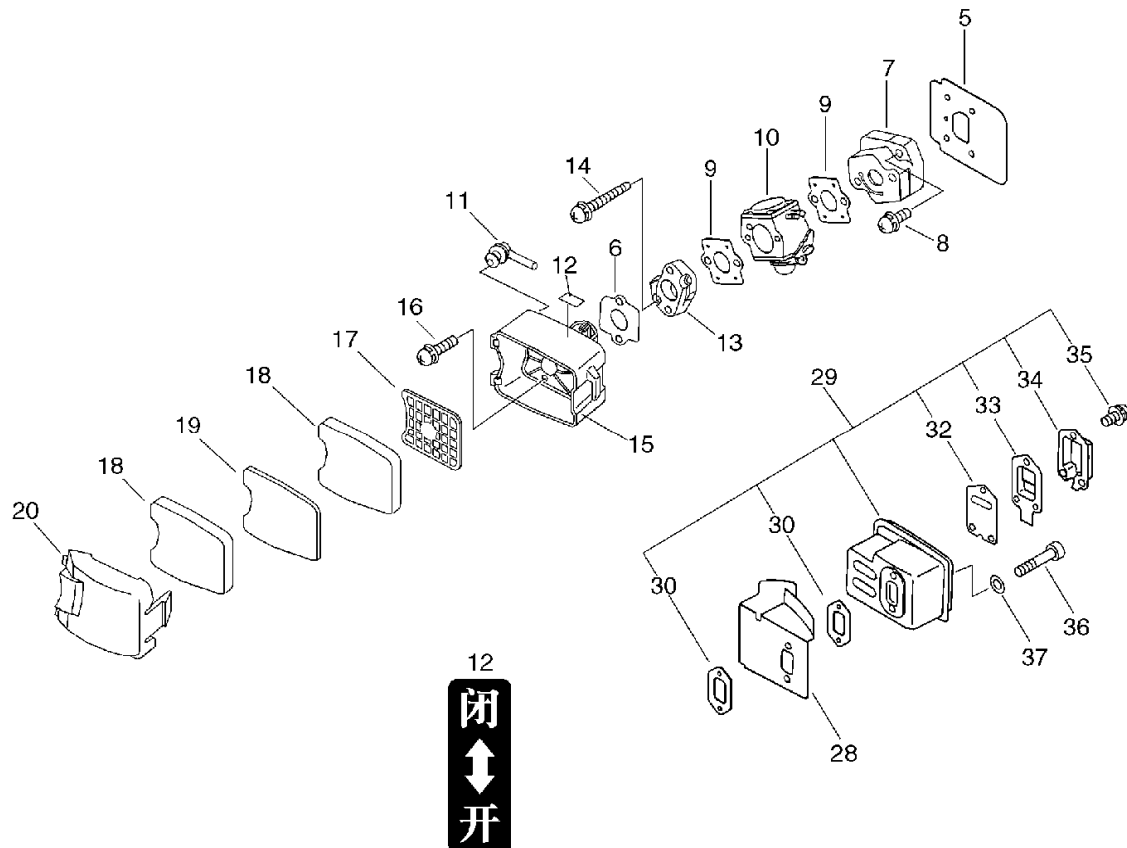
No.2



KEY	LV	PART NUMBER	Q'TY	DESCRIPTION	REMARKS	NOTE1	NOTE2
30		159012-03433	1	CAP, SPARK PLUG			
31		156110-04920	1	BUSHING			
32		890617-07660	1	LABEL, CAUTION			
33		V475-001900	1	TUBE	7*8.6*30		
40		175014-05360	1	WASHER, CLUTCH	8.2*19*3.2		
41		175019-04920	1	PLATE, CLUTCH			
42		175000-06560	1	CLUTCH ASSY			
43	+	175018-05960	2	SPRING, CLUTCH			
44	+	175009-05131	2	SHOE, CLUTCH			
45	+	175016-04920	1	HUB, CLUTCH			
46		890123-13360	1	LABEL, CAUTION			
47		175055-05360	1	HOUSING, CLUTCH			
48		900162-04016	2	BOLT, H.S. 4*16	4*16 W,SW		

3. Air Cleaner, Muffler

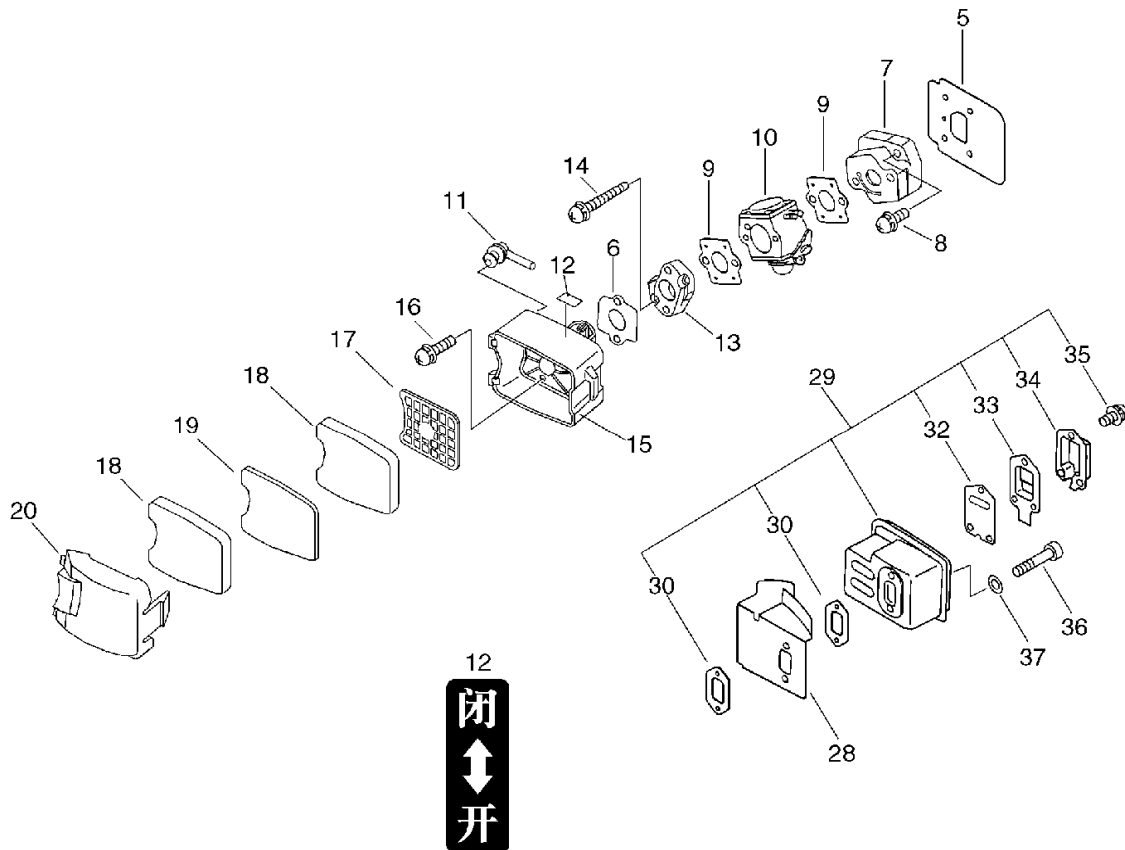
No.3



KEY	LV	PART NUMBER	Q'TY	DESCRIPTION	REMARKS	NOTE1	NOTE2
5		130010-42032	1	GASKET,INTAKE			
6		V103-000260	1	GASKET,INTAKE			
7		A200-000220	1	INSULATOR, INTAKE			
8		900238-05020	2	SCREW 5*20	5*20		
9		130016-42031	2	GASKET, INTAKE			
10		A021-001150	1	CARBURETOR,DIAPHRAGM	C1U-K83		
11		V470-000620	1	PIPE	3*6*35		
12		X506-000060	1	LABEL,CHOKE			
13		V376-000750	1	SPACER			
14		900242-05060	2	SCREW 5*60	5*60		
15		P021-009350	1	CASE, AIR CLEANER		Sus. by P021-009353	
15		P021-009351	1	CASE, AIR CLEANER		Sus. by P021-009353	
15		P021-009353	1	CASE, AIR CLEANER			
16		900242-05016	2	SCREW 5*16	5*16		
17		A230-000000	1	GRID, CLEANER			
18		A226-000300	2	ELEMENT, AIR FILTER			
19		A226-000310	1	ELEMENT, AIR FILTER			
20		A232-000310	1	LID,CLEANER		Sus. by A232-000312	
20		A232-000312	1	LID,CLEANER			
28		145871-05360	1	COVER, MUFFLER			
29		P021-009360	1	MUFFLER ASY			
30	+	V104-000160	2	GASKET,EXHAUST			
32	+	V104-000321	1	GASKET,EXHAUST			

3. Air Cleaner, Muffler

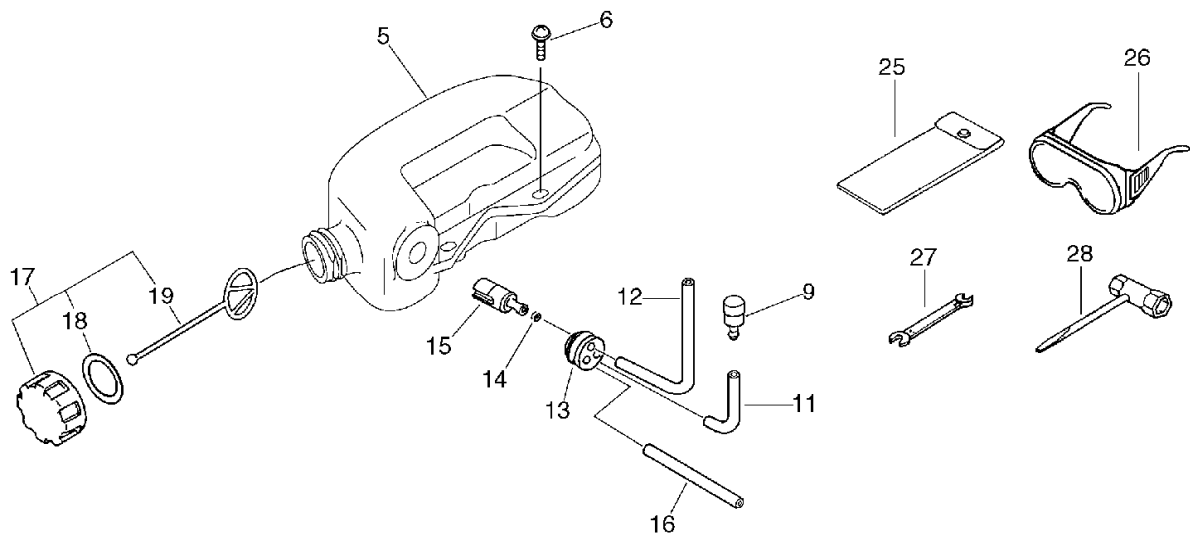
No.3



KEY	LV	PART NUMBER	Q'TY	DESCRIPTION	REMARKS	NOTE1	NOTE2
33	+	145876-42030	1	LID, MUFFLER (B)			
34	+	145863-08960	1	GUIDE, EXHAUST			
35	+	900242-04010	3	SCREW 4*10	4*10		
36		900105-05050	2	BOLT, H.S. 5*50	5*50		
37		900600-00005	2	WASHER 5	5		

4. Fuel Tank, Tools

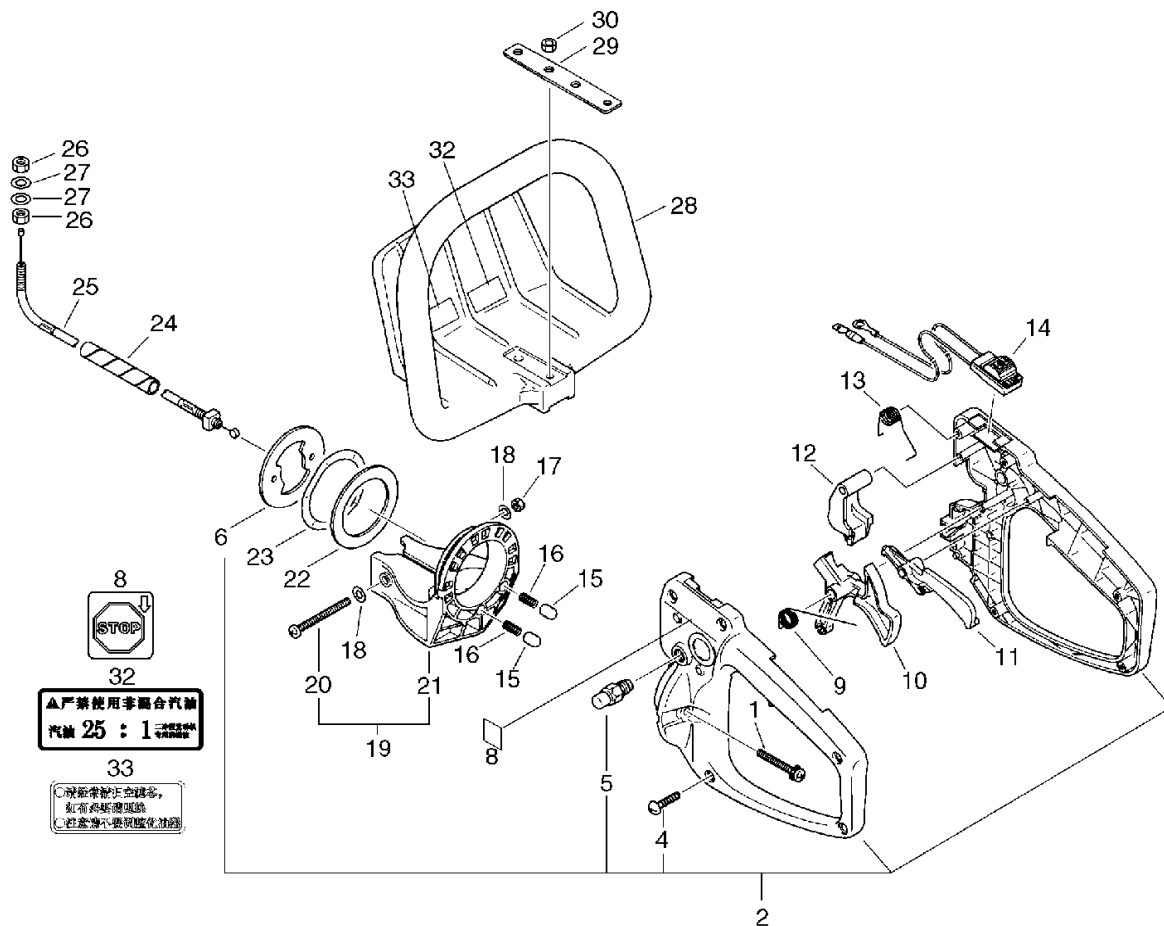
No.4



KEY	LV	PART NUMBER	Q'TY	DESCRIPTION	REMARKS	NOTE1	NOTE2
5		A350-000271	1	TANK,FUEL		Sus. by A350-000272	
5		A350-000272	1	TANK,FUEL			
6		900239-05016	2	SCREW 5*16	5*16		
9		131300-56430	1	VALVE, CHECK			
11		V471-001200	1	PIPE	3*5*70 NBR		
12		V470-000580	1	PIPE	3*5*195		
13		132115-46730	1	GROMMET, FUEL			
14		132013-09820	1	CLIP	6MM		
15		131205-07320	1	STRAINER, FUEL			
16		132010-40830	1	PIPE 3* 6* 75	3*6*75 YL		
17		131004-08960	1	CAP ASSY, FUEL			
18	+	131016-55830	1	GASKET, FUEL CAP			
19	+	131051-52430	1	CONNECTOR, CAP	80L		
25		898510-07130	1	BAG, TOOL			
26		X690-000021	1	GOGGLE			
27		895112-00330	1	SPANNER 8*10			
28		895410-00430	1	WRENCH, W/S. DRIVER			

5. Handle

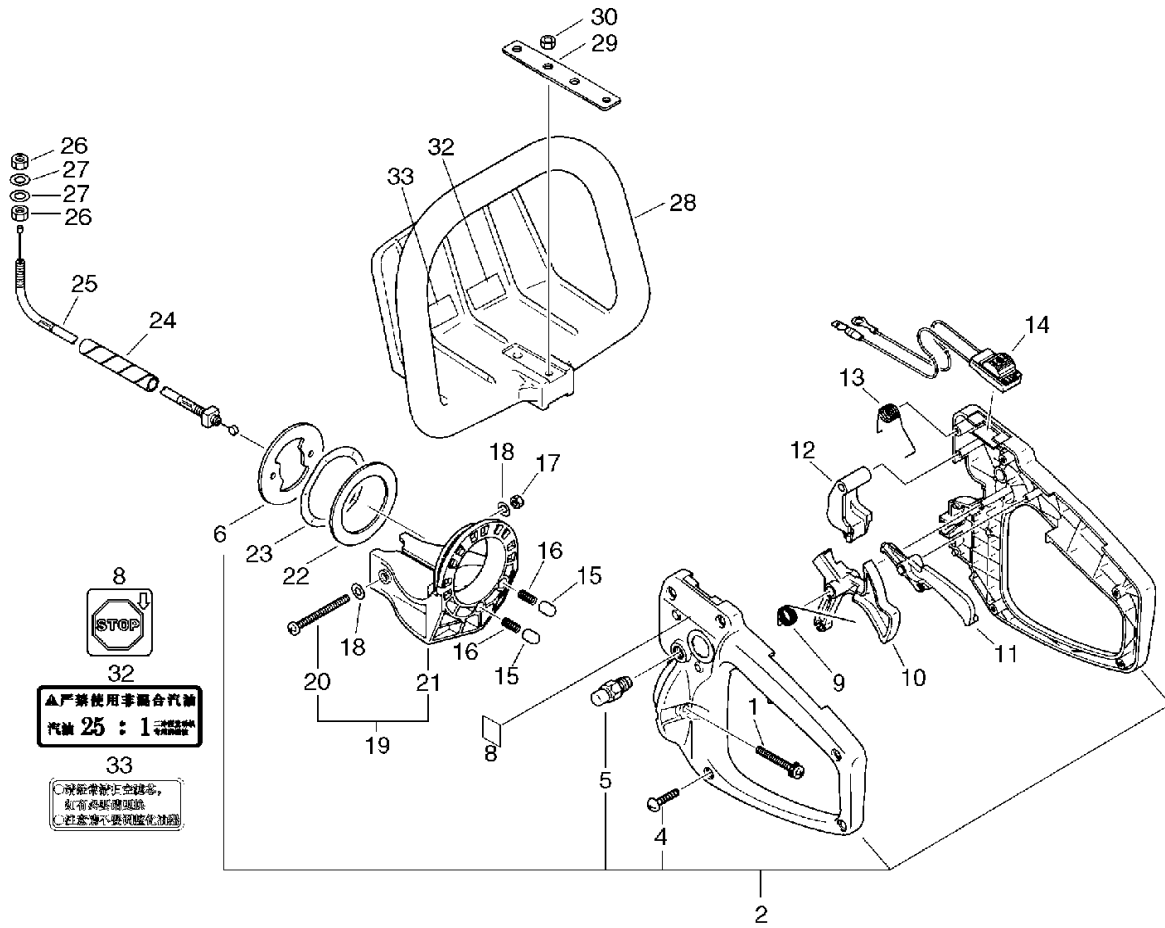
No.5



KEY	LV	PART NUMBER	Q'TY	DESCRIPTION	REMARKS	NOTE1	NOTE2
1		900238-05030	2	SCREW 5*30	5*30		
2		351101-13360	1	HANDLE SET, REAR			
4	+	900256-04016	5	SCREW 4*16	4*16		
5	+	178302-13360	1	LATCH ASY			
6	+	351313-13361	1	BRACKET, HANDLE			
8		890157-39130	1	LABEL, SWITCH			
9		178013-13660	1	SPRING, TORSION			
10		178010-13361	1	TRIGGER, THROTTLE			
11		178012-13360	1	LOCKOUT, THROTTLE			
12		351648-13360	1	STOPPER, HANDLE			
13		178043-13660	1	SPRING, TORSION			
14		163400-13360	1	SWITCH, ON OFF			
15		605611-13360	2	PIN			
16		178043-13360	2	SPRING			
17		900560-00005	2	NUT, LOCK 5	5		
18		900600-00005	4	WASHER 5	5		
19		351308-13360	1	FIXTURE, HANDLE			
20	+	900220-05045	2	SCREW 5*45	5*45		
21	+	351312-13361	1	BRACKET, HANDLE			
22		689025-13361	1	WASHER, CIRCULAR			
23		178129-13361	1	WASHER			
24		V475-003620	2	TUBE	8*11*65		
25		178001-13360	1	CABLE, THROTTLE			
26		900502-00006	2	NUT 6 (3N)	3N6		
27		900600-00006	2	WASHER 6	6		
28		351610-05360	1	HANDLE, FRONT			

5. Handle

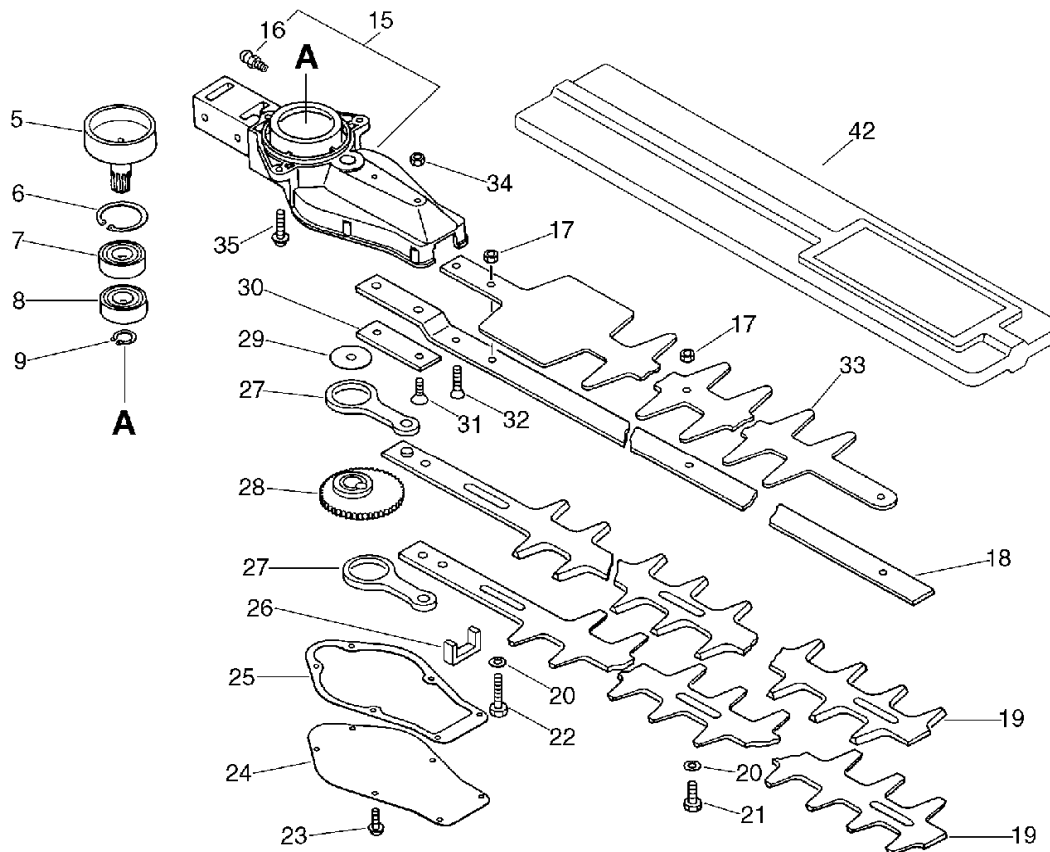
No.5



KEY	LV	PART NUMBER	Q'TY	DESCRIPTION	REMARKS	NOTE1	NOTE2
29		V150-001550	1	PLATE,EYE			
30		900560-00005	1	NUT, LOCK 5	5		
32		X505-001350	1	LABEL, CAUTION			
33		X505-001340	1	LABEL, CAUTION			
34		X502-000260	1	LABEL,ECHO	100*26.9		

6. Gear Case, Cutter

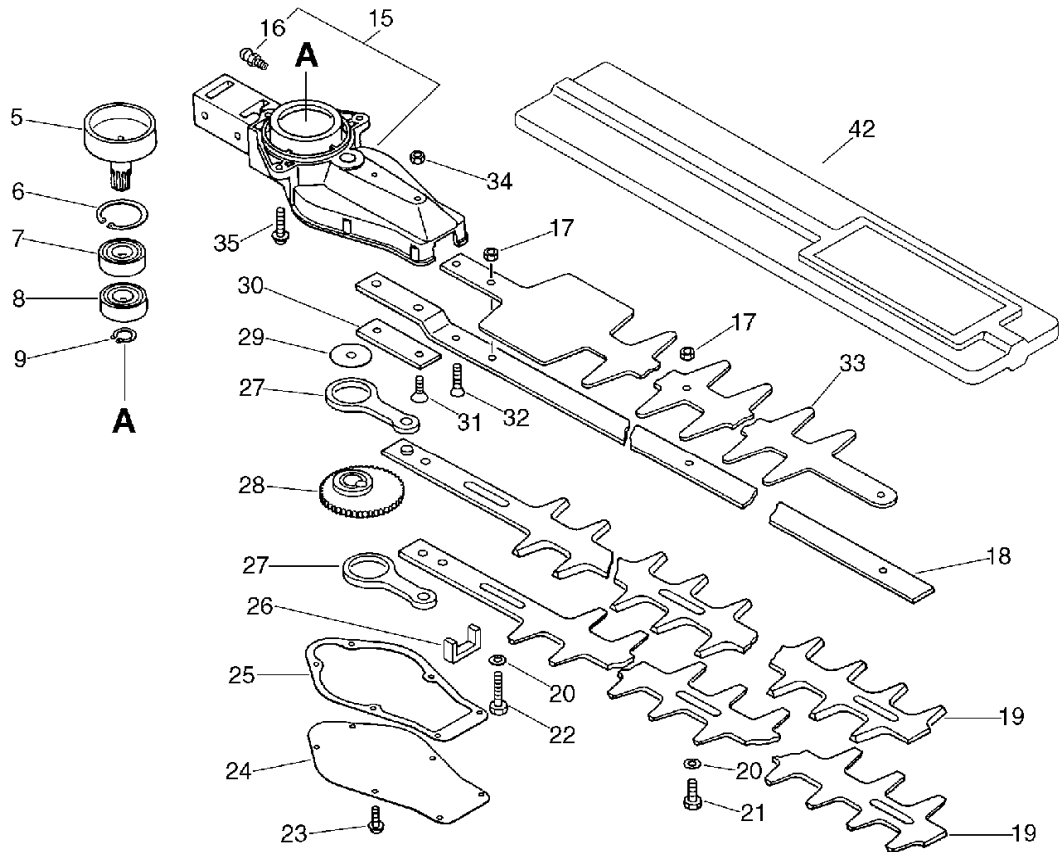
No.6



KEY	LV	PART NUMBER	Q'TY	DESCRIPTION	REMARKS	NOTE1	NOTE2
		P021-009370	1	HOUSING ASSY,GEAR		Sus. by P021-010440	
		P021-010440	1	HOUSING ASSY,GEAR			
5	+	175005-04560	1	DRUM, CLUTCH			
6	+	900702-00035	1	CIRCLIP 35	CR-35		
7	+	900813-36202	1	BEARING, BALL 6202	6202Z/C3	Sus. by 900812-06202	
7	+	900812-06202	1	BEARING, BALL 6202	6202DDU(LLU)		
8	+	900810-36202	1	BEARING, BALL 6202	6202/C3		
9	+	900701-00014	1	CIRCLIP 14	CS-14		
15	+	610407-05361	1	CASE, GEAR			
16	++	880110-10860	1	NIPPLE, GREASE			
17	+	433022-06460	4	NUT			
18	+	699110-06960	1	BAR, FRAME			
19	+	X411-000280	2	CUTTER			
20	+	699118-04560	4	WASHER			
21	+	699115-04660	3	BOLT 6	6*18L		
22	+	699115-05360	1	BOLT			
23	+	900162-04010	6	BOLT, H.S. 4*10	4*10 W,SW		
24	+	610411-05361	1	LID, GEARCASE			
25	+	610414-05360	1	GASKET, GEAR HOUSING			
26	+	610425-04560	1	SEAL			
27	+	C532-000120	2	ROD, CONNECTING			
28	+	610312-04560	1	GEAR			
29	+	610350-04560	1	WASHER			
30	+	610440-04560	1	HOLDER, FRAME			

6. Gear Case, Cutter

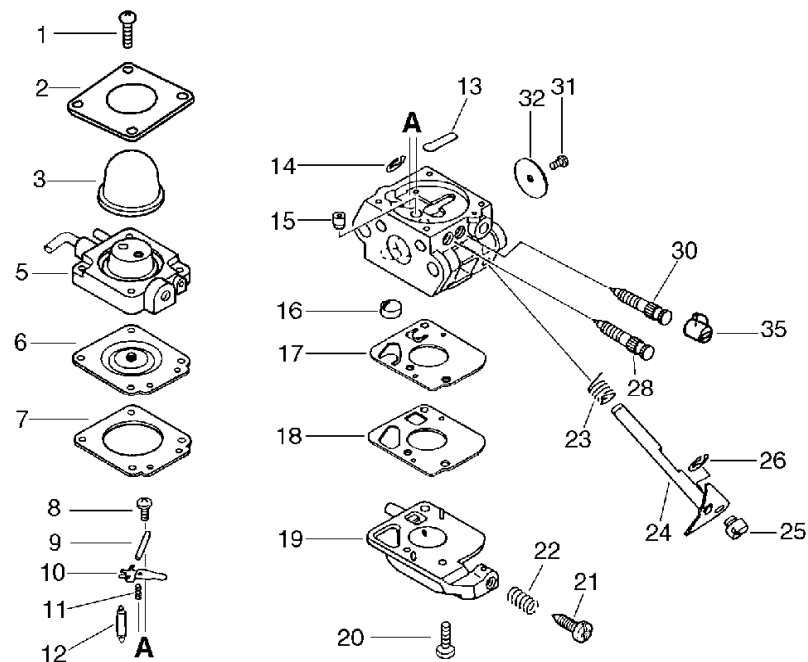
No.6



KEY	LV	PART NUMBER	Q'TY	DESCRIPTION	REMARKS	NOTE1	NOTE2
31	+	900212-06025	2	SCREW 6*25	+SF6*25		
32	+	900212-05030	1	SCREW (5*30*P0.8)	+SF5*30		
33	+	699125-06560	1	BLUNT	539L		
34	+	900502-00006	2	NUT 6 (3N)	3N6		
35	+	900162-05020	3	BOLT, H.S. 5*20	5*20 W,SW		
42		898523-06960	1	SCABBARD, BLADE		Sus. by X495-000051	
42		X495-000051	1	SCABBARD, BLADE			

7. Carburetor

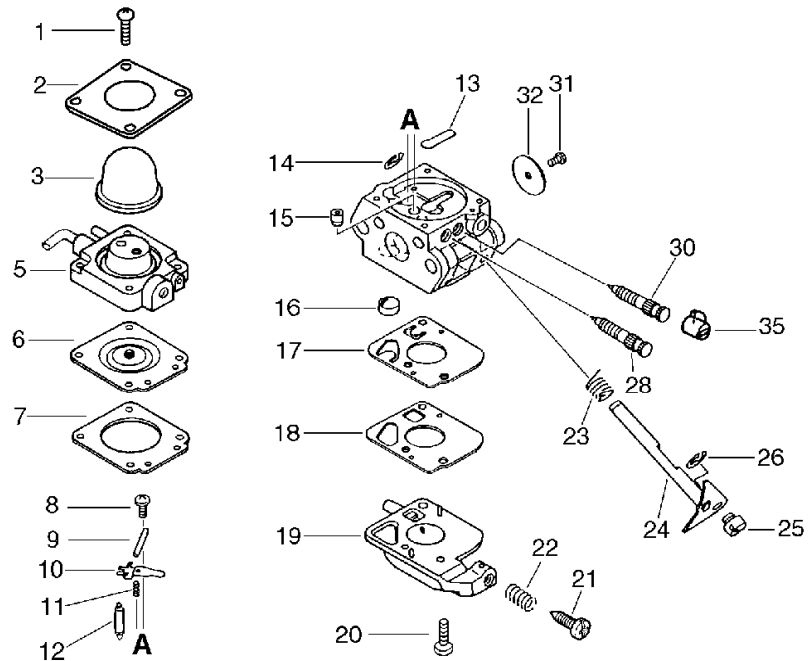
No.7



KEY	LV	PART NUMBER	Q'TY	DESCRIPTION	REMARKS	NOTE1	NOTE2
		A021-001150	1	CARBURETOR,DIAPHRAGM	C1U-K83		
1	+	P005-001940	4	SCREW			
2	+	P005-000620	1	RETAINER			
3	+	125381-08660	1	PUMP, PRIMING			
5	+	P005-001930	1	BASE ASY,PRIMER			
6	+	P005-001950	1	DIAPHRAGM ,METERING			
7	+	125340-20560	1	GASKET, DIAPHRAGM			
8	+	125339-42030	1	SCREW			
9	+	125338-13930	1	PIN, METERING ARM			
10	+	125323-42030	1	LEVER, METERING			
11	+	125322-42030	1	SPRING, COIL			
12	+	125337-06960	1	VALVE, INLET NEEDLE			
13	+	125345-15130	1	PLUG, WELCH			
14	+	125327-15130	1	CLIP			
15	+	125376-13120	1	NOZZLE, CHECK VALVE			
16	+	125326-42030	1	STRAINER			
17	+	125312-12820	1	DIAPHRAGM, FUEL PUMP			
18	+	125325-13310	1	GASKET, PUMP			
19	+	125324-12820	1	COVER, PUMP			
20	+	125310-12820	2	SCREW			
21	+	125334-06960	1	SCREW, THROTTLE ADJUST			
22	+	125333-06960	1	SPRING, IDLE ADJUSTER			
23	+	125313-42030	1	SPRING, THRT. RETURN			
24	+	P005-000390	1	SHAFT, THROTTLE			
25	+	125372-42030	1	SWIVEL			
26	+	125327-13930	1	CLIP			

7. Carburetor

No.7



KEY	LV	PART NUMBER	Q'TY	DESCRIPTION	REMARKS	NOTE1	NOTE2
28	+	125320-13310	1	NEEDLE, HIGH SPEED			
30	+	125318-13120	1	SCREW, IDLE NEEDLE			
31	+	125314-13930	1	SCREW	3*4		
32	+	125316-49030	1	VALVE, THROTTLE			
35		125329-09860	1	LIMITER, MIXTURE			

8. Repair Kit

KEY	LV	PART NUMBER	Q'TY	DESCRIPTION	REMARKS	NOTE1	NOTE2
		P005-001960	1	DIAPHRAGM/GASKET KIT			
7-6	+	P005-001950	1	DIAPHRAGM ,METERING			
7-7	+	125340-20560	1	GASKET, DIAPHRAGM			
7-17	+	125312-12820	1	DIAPHRAGM, FUEL PUMP			
7-18	+	125325-13310	1	GASKET, PUMP			
		P005-001970	1	REBUILD KIT			
7-6	+	P005-001950	1	DIAPHRAGM ,METERING			
7-7	+	125340-20560	1	GASKET, DIAPHRAGM			
7-9	+	125338-13930	1	PIN, METERING ARM			
7-10	+	125323-42030	1	LEVER, METERING			
7-11	+	125322-42030	1	SPRING, COIL			
7-12	+	125337-06960	1	VALVE, INLET NEEDLE			
7-13	+	125345-15130	1	PLUG, WELCH			
7-16	+	125326-42030	1	STRAINER			
7-17	+	125312-12820	1	DIAPHRAGM, FUEL PUMP			
7-18	+	125325-13310	1	GASKET, PUMP			

Index

Patrs Number	Key No.	Patrs Number	Key No.	Patrs Number	Key No.
100013-11520	1 - 16	131016-55830	4 - 18	433022-06460	6 - 17
100014-08960	1 - 13	131051-52430	4 - 19	605611-13360	5 - 15
100015-04630	1 - 15	131205-07320	4 - 15	610312-04560	6 - 28
100113-05930	1 - 12	131300-56430	4 - 9	610350-04560	6 - 29
100204-05361	1 - 4	132010-40830	4 - 16	610407-05361	6 - 15
100212-42031	1 - 5	132013-09820	4 - 14	610411-05361	6 - 24
100215-03930	1 - 9	132115-46730	4 - 13	610414-05360	6 - 25
100242-42030	1 - 8	145863-08960	3 - 34	610425-04560	6 - 26
101506-06561	1 - 25	145871-05360	3 - 28	610440-04560	6 - 30
125310-12820	7 - 20	145876-42030	3 - 33	689025-13361	5 - 22
125312-12820	7 - 17	156110-04920	2 - 31	699110-06960	6 - 18
125312-12820	8 - 7-17	156114-04920	2 - 27	699115-04660	6 - 21
125312-12820	8 - 7-17	159010-30330	2 - 28	699115-05360	6 - 22
125313-42030	7 - 23	159011-03432	2 - 29	699118-04560	6 - 20
125314-13930	7 - 31	159012-03433	2 - 30	699125-06560	6 - 33
125316-49030	7 - 32	163400-13360	5 - 14	880110-10860	6 - 16
125318-13120	7 - 30	175000-06560	2 - 42	890123-13360	2 - 46
125320-13310	7 - 28	175005-04560	6 - 5	890157-39130	5 - 8
125322-42030	7 - 11	175009-05131	2 - 44	890617-07660	2 - 32
125322-42030	8 - 7-11	175014-05360	2 - 40	895112-00330	4 - 27
125323-42030	7 - 10	175016-04920	2 - 45	895410-00430	4 - 28
125323-42030	8 - 7-10	175018-05960	2 - 43	898510-07130	4 - 25
125324-12820	7 - 19	175019-04920	2 - 41	898523-06960	6 - 42
125325-13310	7 - 18	175055-05360	2 - 47	900105-05050	3 - 36
125325-13310	8 - 7-18	177200-06562	2 - 7	900162-04010	6 - 23
125325-13310	8 - 7-18	177200-06563	2 - 7	900162-04016	2 - 5
125326-42030	7 - 16	177202-12220	2 - 18	900162-04016	2 - 48
125326-42030	8 - 7-16	177215-44430	2 - 10	900162-04020	1 - 26
125327-13930	7 - 26	177218-44330	2 - 19	900162-04020	2 - 24
125327-15130	7 - 14	177220-42030	2 - 9	900162-05020	6 - 35
125329-09860	7 - 35	177226-05530	2 - 13	900162-05022	1 - 20
125333-06960	7 - 22	177227-42030	2 - 14	900162-05028	1 - 6
125334-06960	7 - 21	177228-06530	2 - 15	900212-05030	6 - 32
125337-06960	7 - 12	177234-12220	2 - 20	900212-06025	6 - 31
125337-06960	8 - 7-12	177236-44330	2 - 12	900220-05045	5 - 20
125338-13930	7 - 9	178001-13360	5 - 25	900238-05020	3 - 8
125338-13930	8 - 7-9	178010-13361	5 - 10	900238-05030	5 - 1
125339-42030	7 - 8	178012-13360	5 - 11	900239-05016	4 - 6
125340-20560	7 - 7	178013-13660	5 - 9	900242-04010	3 - 35
125340-20560	8 - 7-7	178043-13360	5 - 16	900242-05016	3 - 16
125340-20560	8 - 7-7	178043-13660	5 - 13	900242-05060	3 - 14
125345-15130	7 - 13	178129-13361	5 - 23	900256-04016	5 - 4
125345-15130	8 - 7-13	178302-13360	5 - 5	900502-00006	5 - 26
125372-42030	7 - 25	351101-13360	5 - 2	900502-00006	6 - 34
125376-13120	7 - 15	351308-13360	5 - 19	900560-00005	5 - 17
125381-08660	7 - 3	351312-13361	5 - 21	900560-00005	5 - 30
130010-42032	3 - 5	351313-13361	5 - 6	900600-00005	3 - 37
130016-42031	3 - 9	351610-05360	5 - 28	900600-00005	5 - 18
131004-08960	4 - 17	351648-13360	5 - 12	900600-00006	5 - 27

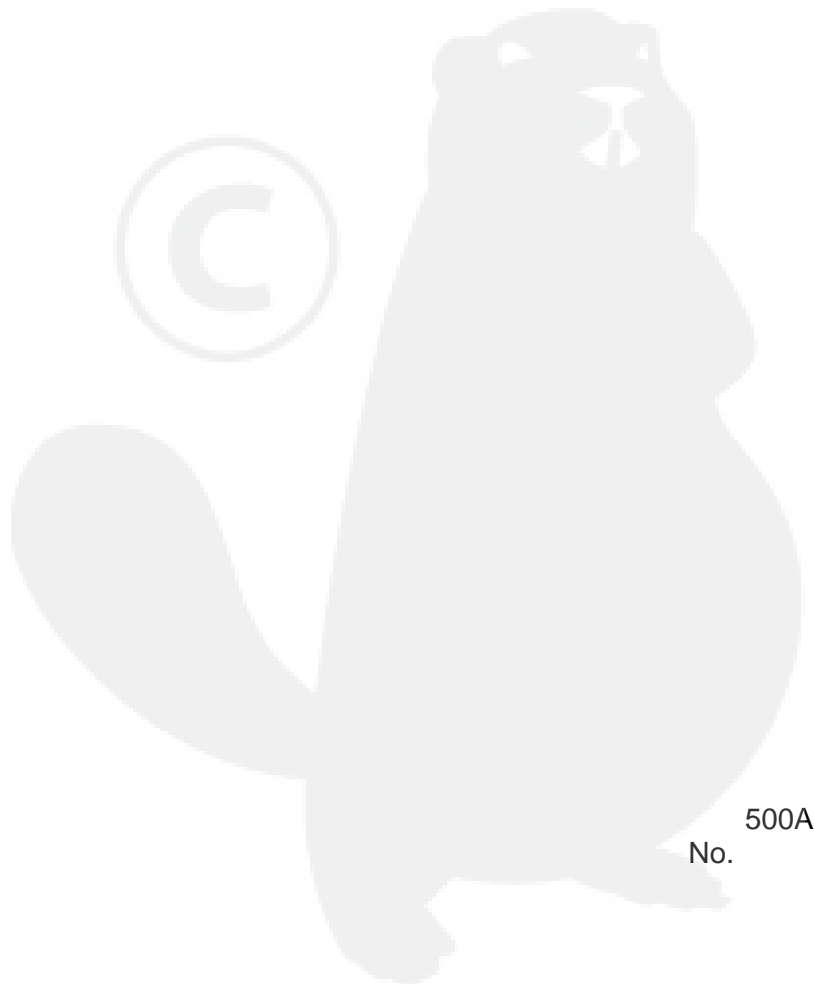
Index

Patrs Number	Key No.	Patrs Number	Key No.	Patrs Number	Key No.
900605-00008	2 - 17	V471-001200	4 - 11		
900701-00014	6 - 9	V475-001900	2 - 33		
900702-00035	6 - 6	V475-003620	5 - 24		
900810-36202	6 - 8	V485-000610	2 - 26		
900812-06202	6 - 7	X411-000280	6 - 19		
900813-36202	6 - 7	X495-000051	6 - 42		
91113-04020	2 - 24	X502-000260	5 - 34		
94035-36201	1 - 7	X505-001340	5 - 33		
A011-000410	1 - 10	X505-001350	5 - 32		
A011-000411	1 - 10	X506-000060	3 - 12		
A021-001150	3 - 10	X547-000030	2 - 6		
A021-001150	7 -	X547-000031	2 - 6		
A101-000090	1 - 17	X690-000021	4 - 26		
A130-000531	1 - 19				
A200-000220	3 - 7				
A226-000300	3 - 18				
A226-000310	3 - 19				
A230-000000	3 - 17				
A232-000310	3 - 20				
A232-000312	3 - 20				
A350-000271	4 - 5				
A350-000272	4 - 5				
A409-000150	2 - 23				
A411-000130	2 - 25				
C532-000120	6 - 27				
P005-000390	7 - 24				
P005-000620	7 - 2				
P005-001930	7 - 5				
P005-001940	7 - 1				
P005-001950	7 - 6				
P005-001950	8 - 7-6				
P005-001950	8 - 7-6				
P005-001960	8 -				
P005-001970	8 -				
P021-007772	1 - 11				
P021-009350	3 - 15				
P021-009351	3 - 15				
P021-009353	3 - 15				
P021-009360	3 - 29				
P021-009370	6 -				
P021-010440	6 -				
V100-000080	1 - 18				
V103-000260	3 - 6				
V104-000160	3 - 30				
V104-000321	3 - 32				
V150-001550	5 - 29				
V376-000750	3 - 13				
V470-000580	4 - 12				
V470-000620	3 - 11				

YAMABIKO CORPORATION

7-2 SUEHIROCHO 1-CHOME, OHME, TOKYO 198-8760, JAPAN
PHONE: 81-428-32-6118. FAX: 81-428-32-6145.

ECHO®



500A
No.