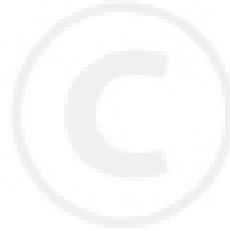




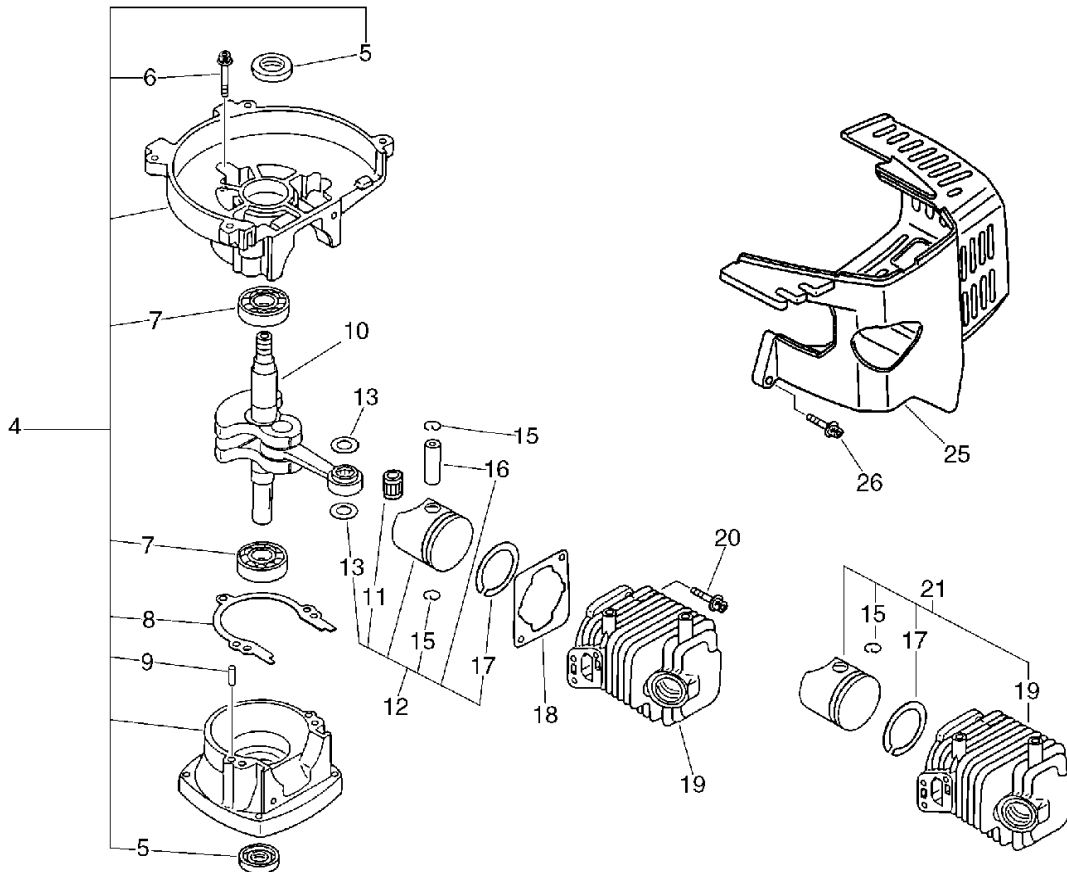
# **PARTS CATALOG**

## **HEDGE TRIMMER HC-2410(6digits)(35)(36)**



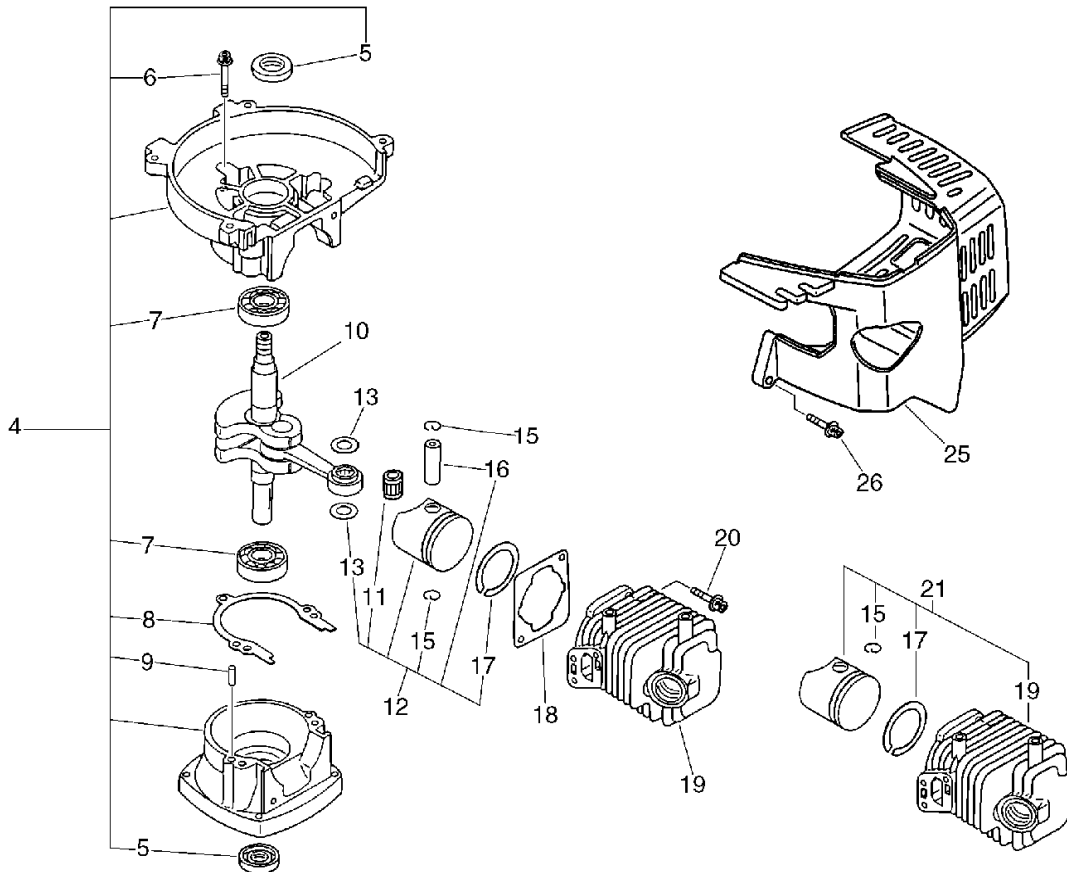
HC-2410(6digits)(35)(36)

1. Cylinder, Crankcase, Piston



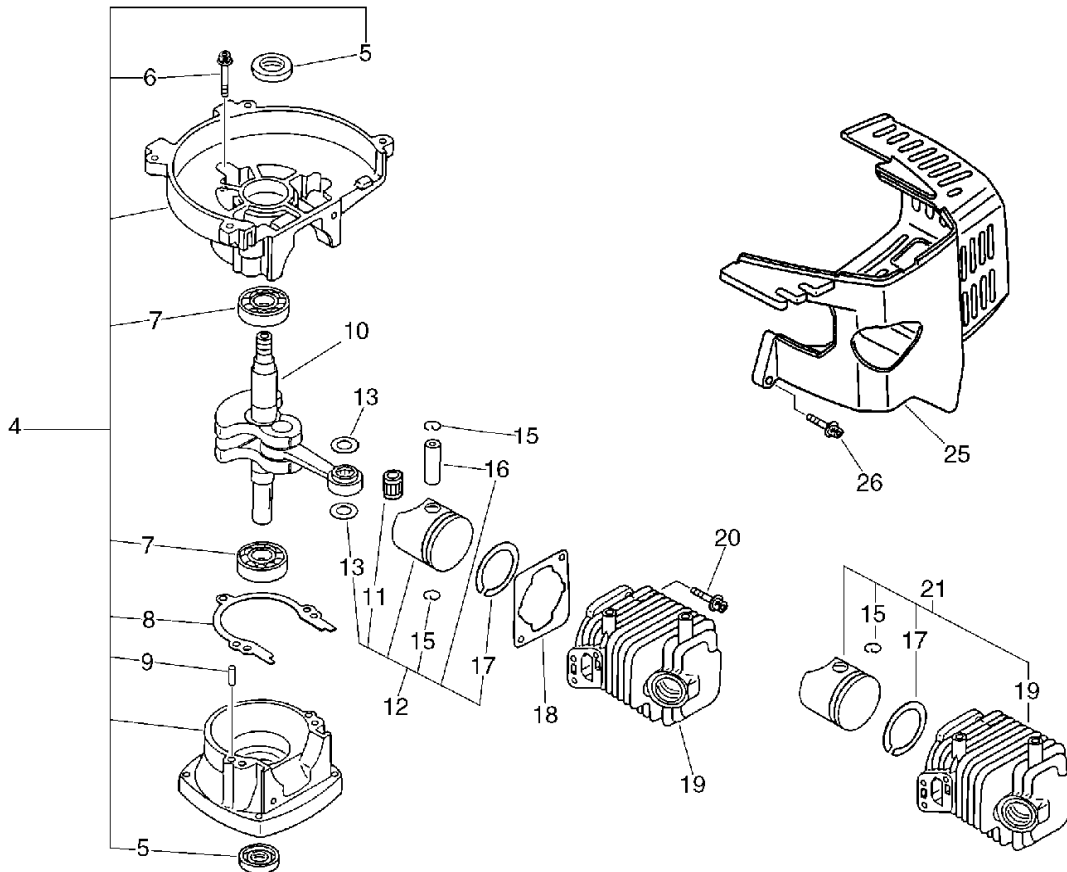
KEY	LV	PART NUMBER	Q'TY	DESCRIPTION	REMARKS	NOTE1	NOTE2
4		100204-52130	1	CRANKCASE KIT		Sus. by 100204-52132	
4		100204-52131	1	CRANKCASE KIT		Sus. by 100204-52132	
4		100204-52132	1	CRANKCASE KIT			
5	+	100212-42030	2	OILSEAL	ISCD12*22*4.5	Sus. by 100212-42031	
5	+	100212-42031	2	OILSEAL	ISCD 12*22*4.5		
6	+	900162-05028	3	BOLT, H.S. 5*28	5*28 W,SW		
9	+	100215-03930	2	PIN, DOWEL			
7	+	900810-36201	2	BEARING, BALL 6201	6201/C3	Sus. by 94035-36201	
7	+	94035-36201	2	BEARING BALL	6201X3JR2C3		
8	+	100242-42030	1	GASKET, CRANKCASE			
10		100105-08960	1	CRANKSHAFT		Sus. by 100105-08961	
10		100105-08961	1	CRANKSHAFT		Sr/Nr 001304 and before	
10		100100-09760	1	CRANKSHAFT ASSY		Sus. by 100100-09761	
10		100100-09761	1	CRANKSHAFT		Sus. by 100100-09762	
10		100100-09762	1	CRANKSHAFT		Sus. by 100100-09764	

1. Cylinder, Crankcase, Piston



KEY	LV	PART NUMBER	Q'TY	DESCRIPTION	REMARKS	NOTE1	NOTE2
10		100100-09763	1	CRANKSHAFT		Sus. by 100100-09764	
10		100100-09764	1	CRANKSHAFT		Sr/Nr 001305 and after	
12		100000-08960	1	PISTON KIT		Sus. by 100000-08963	
12		100000-08962	1	PISTON KIT		Sus. by 100000-08963	
12		100000-08963	1	PISTON KIT			
11	+	100113-05930	1	BEARING, NEEDLE	8*12*8		
13	+	100014-08960	1	SPACER, PISTON PIN			
15	+	100015-04630	2	CIRCLIP, PISTON PIN			
16	+	100013-11520	1	PIN, PISTON			
17	+	100011-09560	2	RING, PISTON			
18		101010-44330	1	GASKET, CYL. BASE		Sus. by 101010-44332	
18		101010-44331	1	GASKET, CYL. BASE		Sus. by 101010-44332	
18		101010-44332	1	GASKET, CYL. BASE			
19		101011-09560	1	CYLINDER		Sr/Nr 001304 and before	
19		101011-08960	1	CYLINDER (CR)		Sus. by 101003-08960	
21		101003-08960	1	CYLINDER PISTON KIT		Sr/Nr 001305 and after	
15	+	100015-04630	2	CIRCLIP, PISTON PIN			

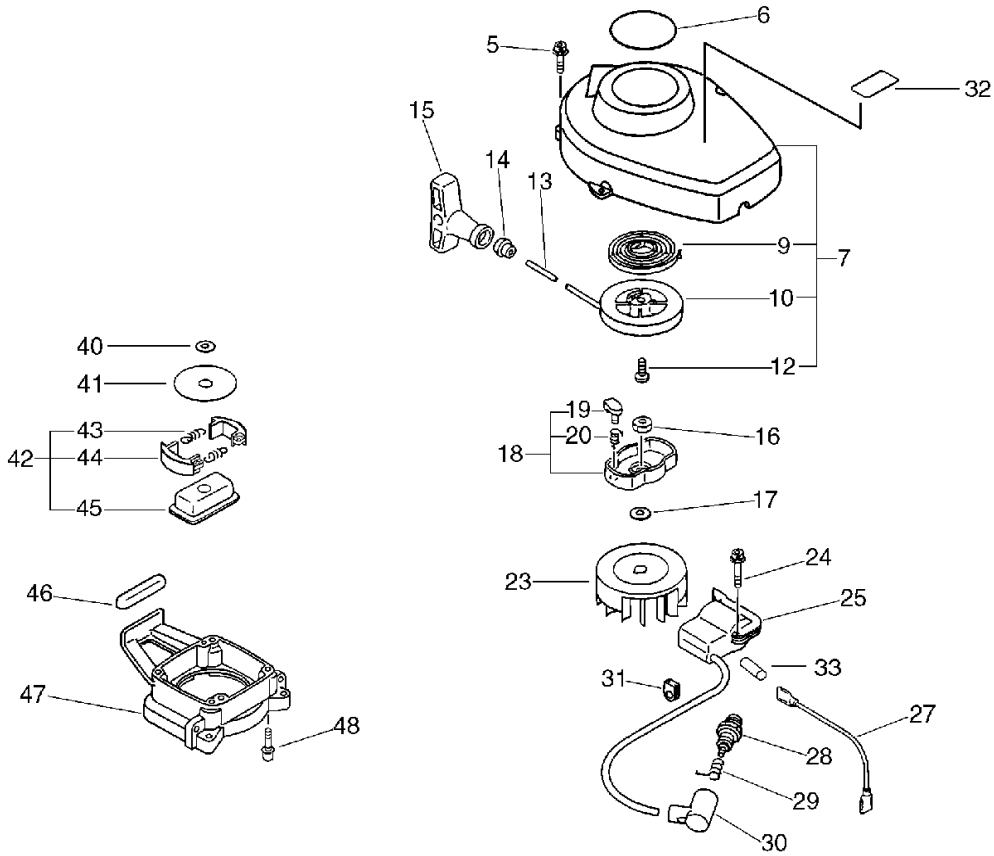
1. Cylinder, Crankcase, Piston



KEY	LV	PART NUMBER	Q'TY	DESCRIPTION	REMARKS	NOTE1	NOTE2
17	+	100011-09560	2	RING, PISTON			
19	+	101011-08961	1	CYLINDER (CR)		Sr/Nr 001747 and after	
20		900162-05022	2	BOLT, H.S. 5*22	5*22 W,SW		
25		101514-05960	1	COVER, CYLINDER		Sus. by 101514-08960	
25		101514-08960	1	COVER, CYLINDER			
26		900238-04022	2	SCREW 4*22	4*22	Sus. by 900162-04022	
26		900162-04022	2	BOLT, H.S. 4*22	4*22 W,SW		

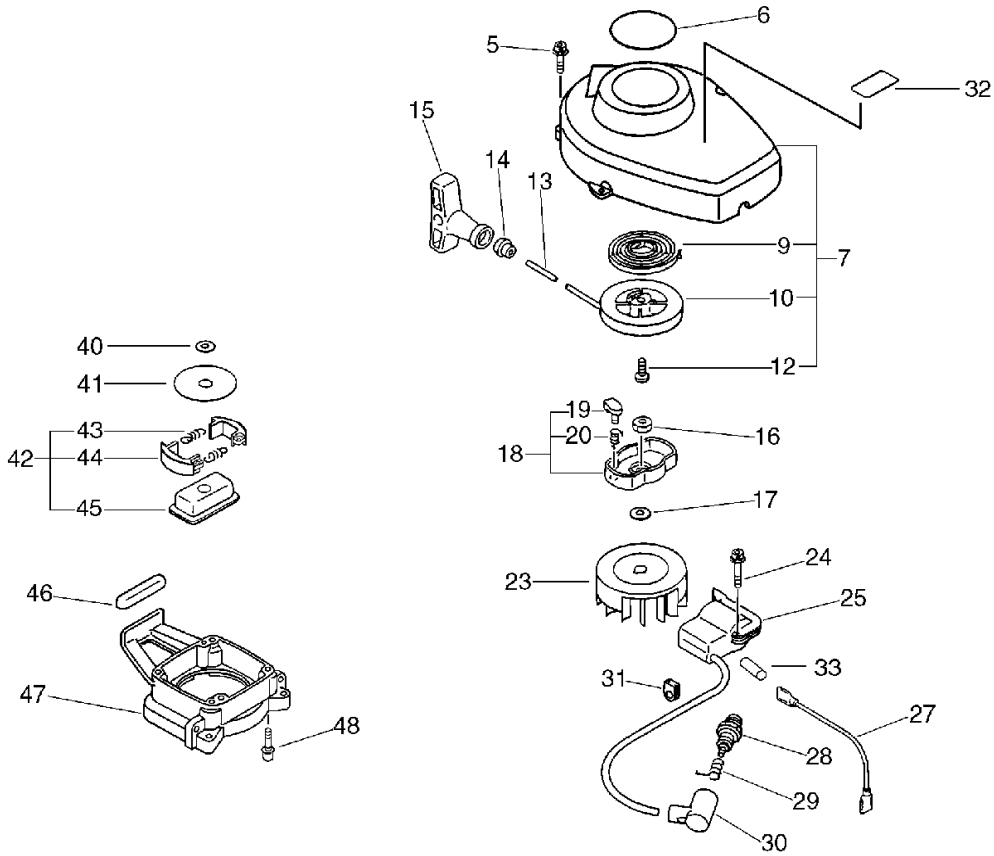


2. Starter, Magneto, Clutch



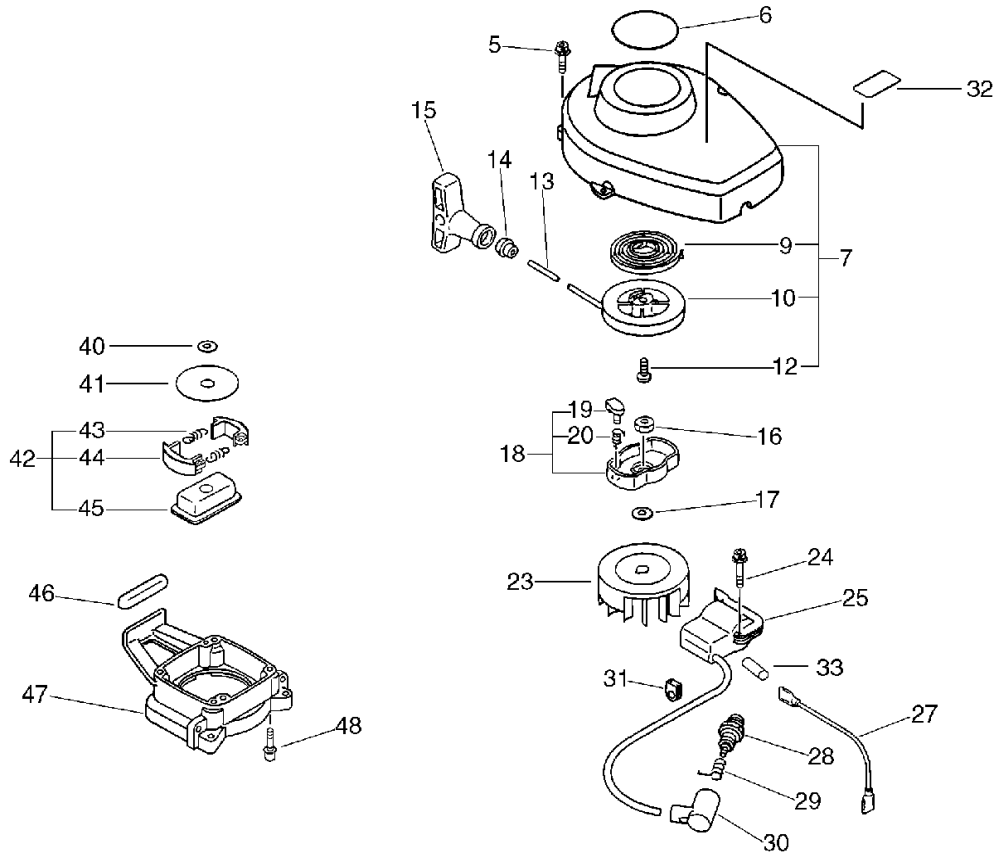
KEY	LV	PART NUMBER	Q'TY	DESCRIPTION	REMARKS	NOTE1	NOTE2
23		156801-44730	1	FLYWHEEL		Sus. by 156801-12360	
23		156801-44731	1	FLYWHEEL		Sus. by 156801-12360	
23		156801-09660	1	FLYWHEEL		Sus. by set of 156601-52130 and 156801-12360	
23		156801-12360	1	ROTOR, MAGNETO		Sr/Nr 005015 and before	
23		A409-000000	1	ROTOR,MAGNETO		Sr/Nr 005016 and after	
24		900162-04022	2	BOLT, H.S. 4*22	4*22 W,SW		
25		156601-44730	1	COIL, IGNITION		Sus. by 156601-44731	
25		156601-44731	1	COIL, IGNITION		Sr/Nr 001304 and before	
25		156601-52130	1	COIL, IGNITION		Sr/Nr 001305 and after	
25		156626-52730	1	COIL, IGNITION		Sus. by set of 156601-52130 and 156801-12360	
27		162021-52130	1	LEAD	210L	Sus. by 162010-52830	
27		162010-52830	1	LEAD, GROUND			

2. Starter, Magneto, Clutch



KEY	LV	PART NUMBER	Q'TY	DESCRIPTION	REMARKS	NOTE1	NOTE2
28		159017-13930	1	PLUG, SPARK (CJ-7Y)	CJ-7Y	Sus. by 159010-10230	
28		159017-10230	1	PLUG, SPARK (RCJ-7Y)	RCJ-7Y	Sus. by 159010-10230	
28		159010-10230	1	PLUG, SPARK (BPMR-7A)	BPMR-7A		
29		159011-03432	1	COIL, SPARK PLUG			
30		159012-01620	1	CAP, SPARK PLUG			
31		156110-04920	1	BUSHING			
32		890310-08960	1	LABEL, MODEL		Sus. by 890617-07660	
32		890617-07660	1	LABEL, CAUTION			
32		890617-12620	1	LABEL, CAUTION		Sus. by 890617-07660	
33		V475-001900	1	TUBE	7*8.6*30		
40		175014-05360	1	WASHER, CLUTCH	8.2*19*3.2		
41		175019-04920	1	PLATE, CLUTCH			
42		175000-02961	1	CLUTCH ASSY		Sus. by 175000-02962	
42		175000-02962	1	CLUTCH ASSY			
43	+	175018-05130	2	SPRING, CLUTCH		Can be used on the 175000-02961 only	
43	+	175018-05960	2	SPRING, CLUTCH		Can be used on the 175000-02962 only	
44	+	175009-05131	1	SHOE, CLUTCH			

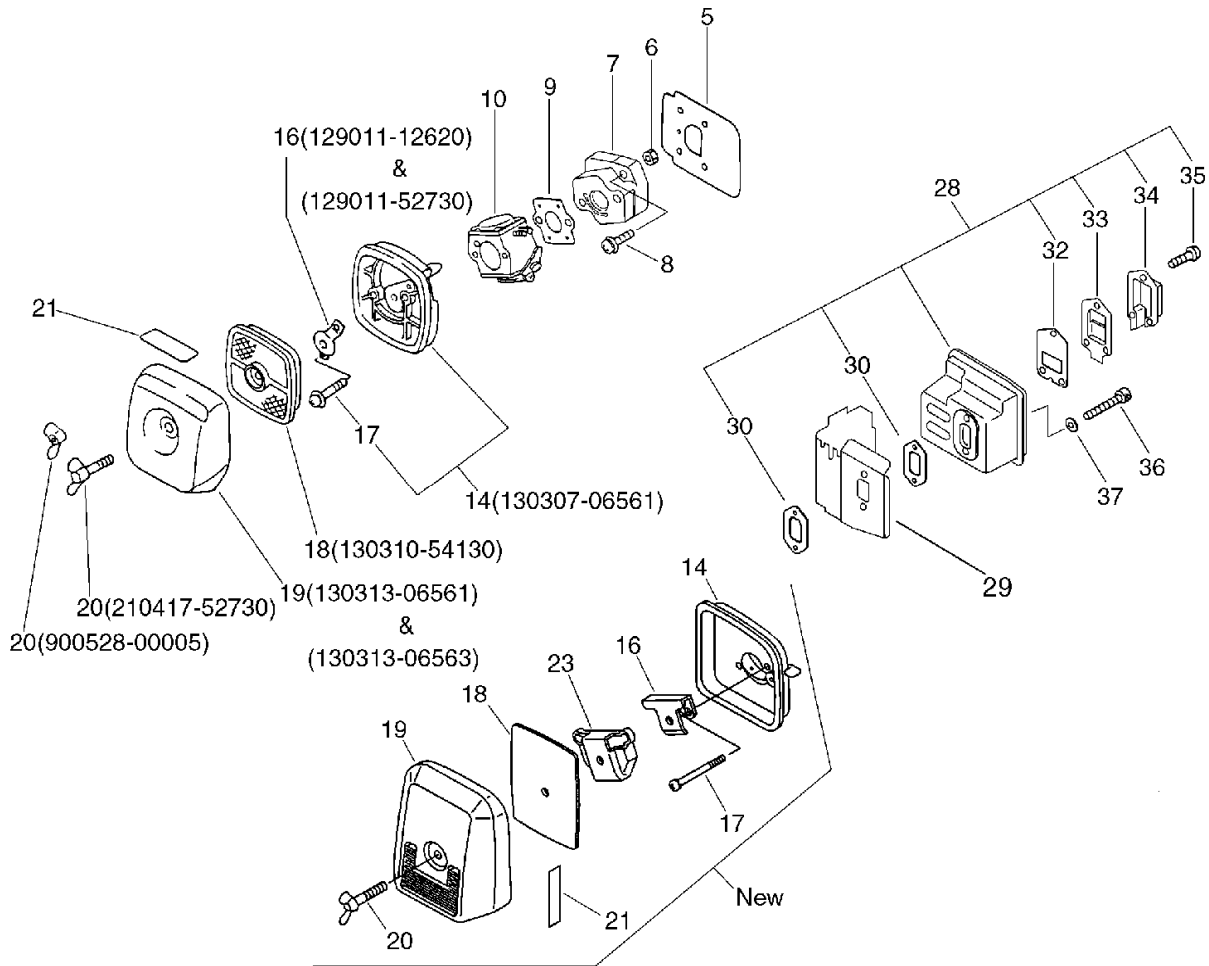
2. Starter, Magneto, Clutch



KEY	LV	PART NUMBER	Q'TY	DESCRIPTION	REMARKS	NOTE1	NOTE2
45	+	175016-07330	1	HUB, CLUTCH			
46		131920-28230	1	CUSHION, FUEL TANK			
47		610223-05960	1	CASE, CLUTCH			
48		900162-04016	4	BOLT, H.S. 4*16	4*16 W,SW	Sr/Nr 35501001 and after	
48		900163-04016	4	BOLT HSH		Sr/Nr 35501000 and before	

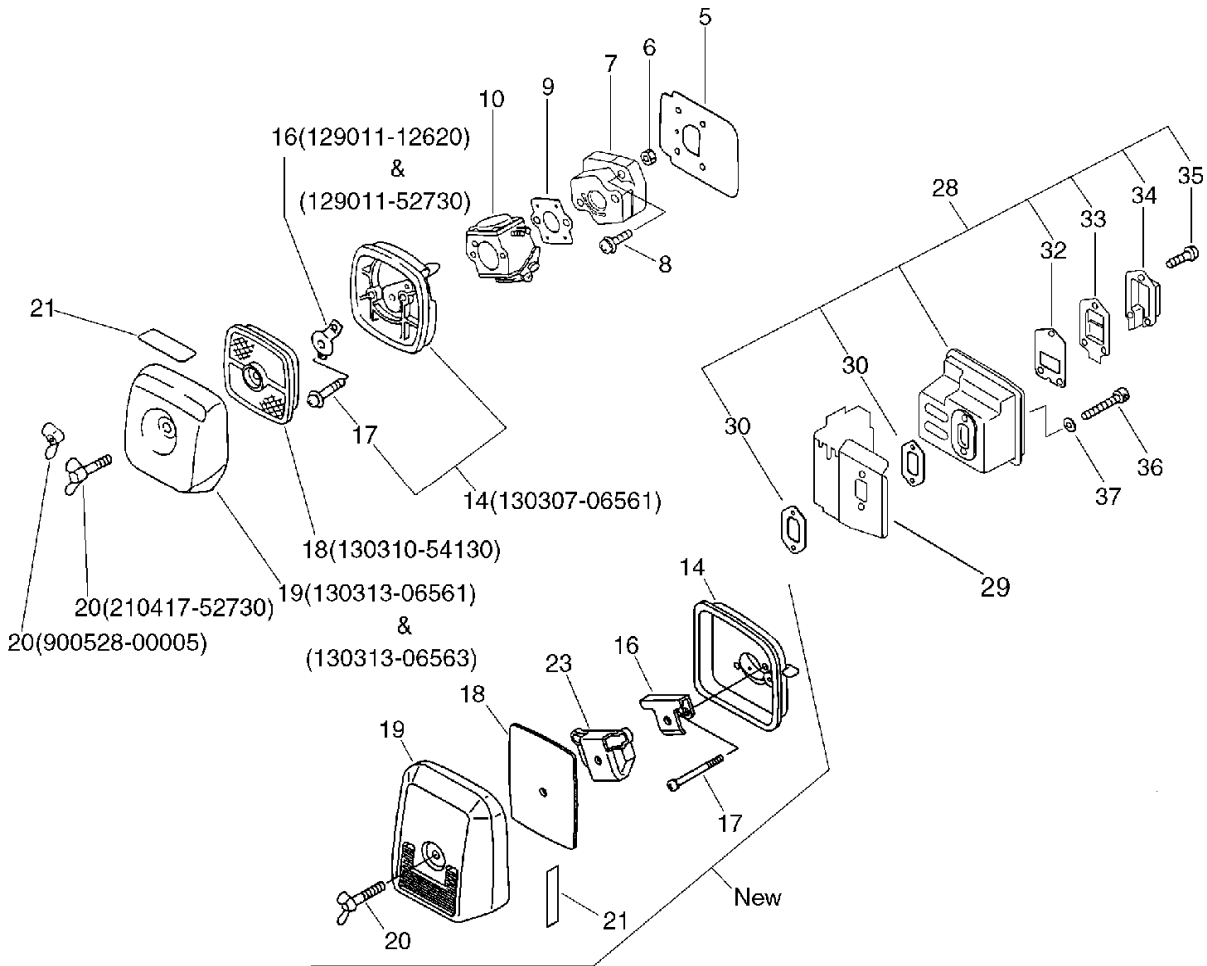


3. Air Cleaner, Muffler



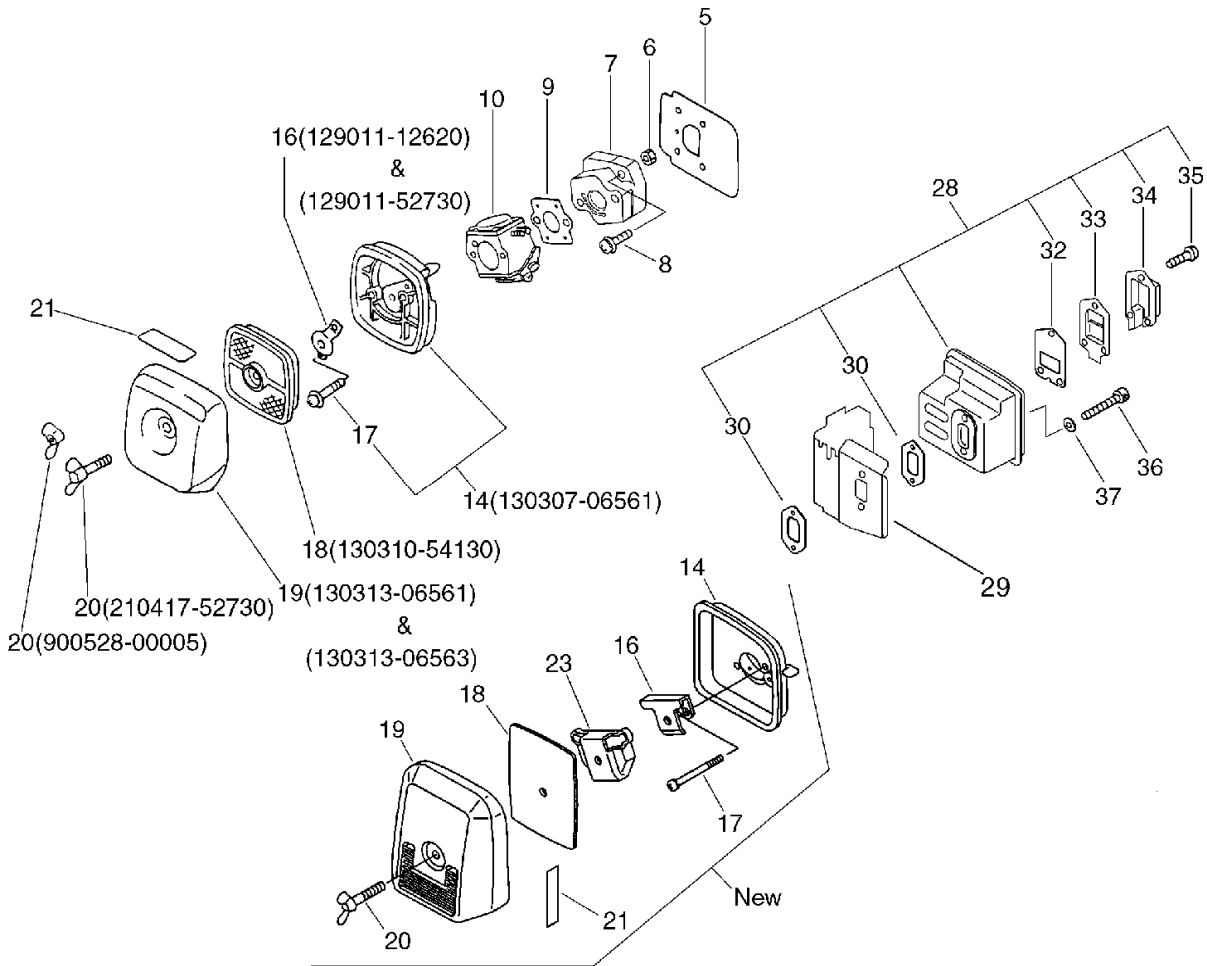
KEY	LV	PART NUMBER	Q'TY	DESCRIPTION	REMARKS	NOTE1	NOTE2
5		130010-42031	1	GASKET		Sus. by 130010-42032	
5		130010-42032	1	GASKET,INTAKE			
6		900500-00005	2	NUT 5	5		
7		130017-42031	1	INSULATOR, INTAKE			
8		900238-05020	2	SCREW 5*20	5*20		
9		130016-42031	1	GASKET, INTAKE		Sr/Nr 35501001 and before	
9		V103-000111	1	GASKET,INTAKE		Sus. by 130016-42031	
9		130016-42031	1	GASKET, INTAKE		Sr/Nr 35501001 and after	
10		125200-08962	1	CARBURETOR ASSY	C1U-K31B	Sr/Nr 001304 and before	
10		125200-08460	1	CARBURETOR ASSY	C1U-K45	Sus. by 125200-05964	
10		125200-05961	1	CARBURETOR C1U-K51	C1U-K51	Sus. by 125200-05964	
10		125200-05962	1	CARBURETOR	C1U-K51	Sus. by 125200-05964	
10		125200-05963	1	CARBURETOR C1U-K51	C1U-K51	Sus. by 125200-05964	
10		125200-05964	1	CARBURETOR	C1U-K51	Sr/Nr 001305 and after	
14		130307-06561	1	CASE, AIR CLEANER		Sr/Nr 005165 and before	

3. Air Cleaner, Muffler



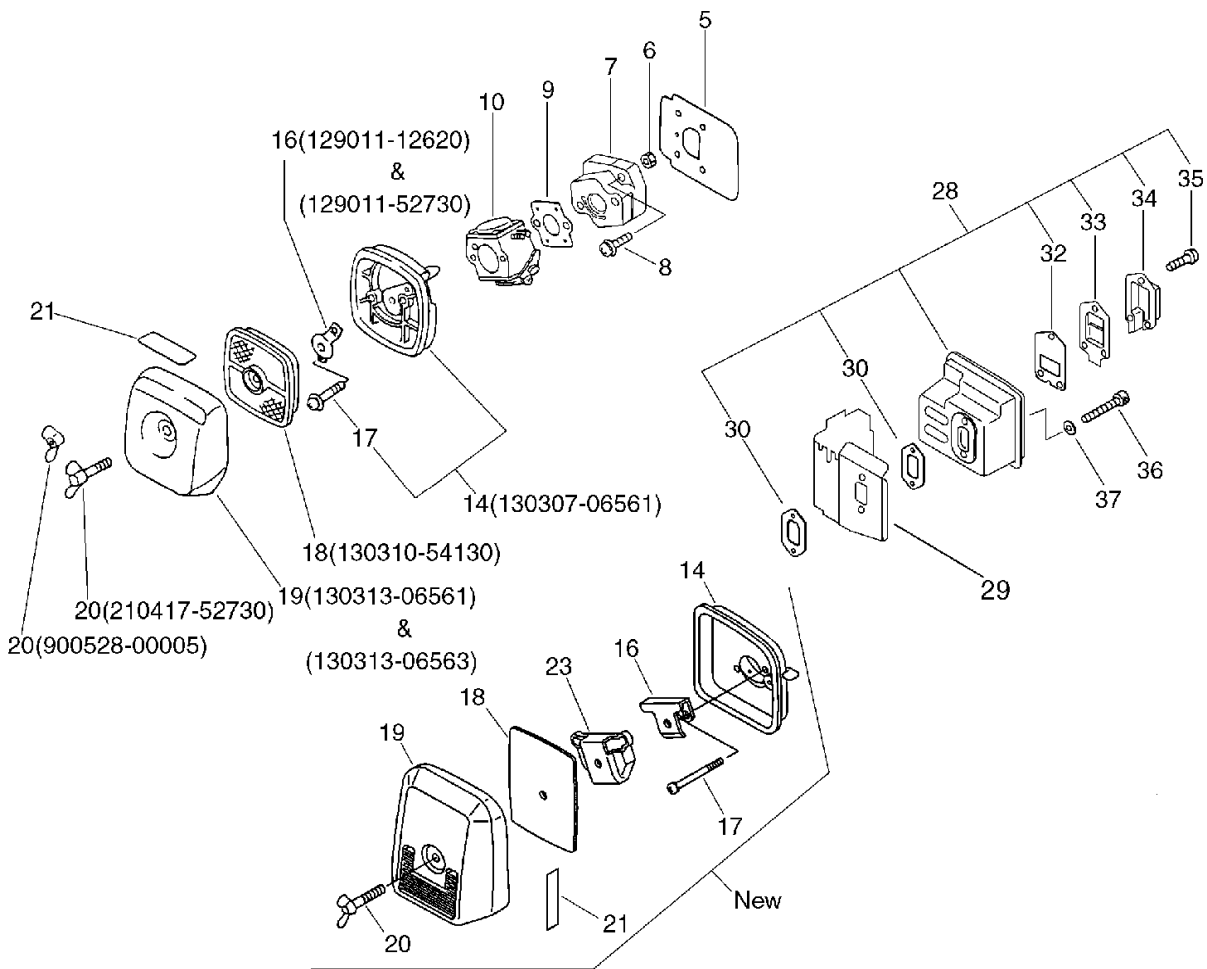
KEY	LV	PART NUMBER	Q'TY	DESCRIPTION	REMARKS	NOTE1	NOTE2
17	+	900242-05065	2	SCREW 5*65	5*65	Sr/Nr 005165 and before	
14		130307-09662	1	CASE, AIR CLEANER		Sr/Nr 005166 and after	
17		900242-05057	2	SCREW 5*57	5*57	Sr/Nr 005166 and after	
16		129011-12620	1	PLATE, PREVENT		Sr/Nr 001304 and before	
16		129011-52730	1	PLATE, PREVENT		Sr/Nr 001305 to 005165	
16		130422-09660	1	PLATE, PREVENT		Sr/Nr 005166 and after	
18		130310-54130	1	FILTER, AIR		Sr/Nr 005165 and before	
18		130310-51830	1	FILTER, AIR		Sr/Nr 005166 and after	
19		130313-06560	1	COVER, AIR CLEANER		Sus. by 130313-06561	
19		130313-06561	1	COVER, AIR CLEANER		Sr/Nr 001304 and before	
19		130313-06563	1	LID, AIR CLEANER		Sr/Nr 001305 to 005165	
19		130313-09561	1	LID, CLEANER		Sr/Nr 005166 and after	
20		900528-00005	1	NUT	5	Sr/Nr 001304 and before	

3. Air Cleaner, Muffler



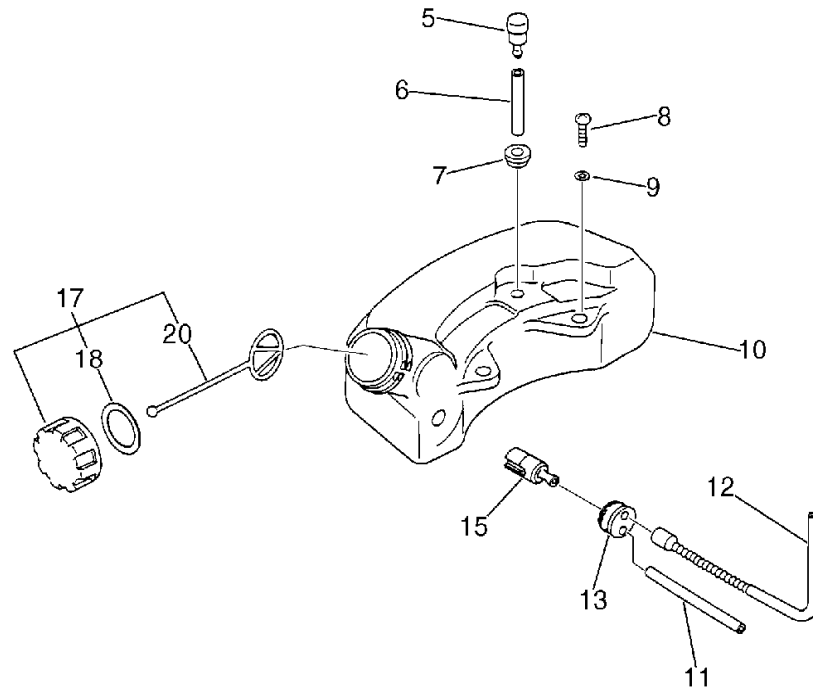
KEY	LV	PART NUMBER	Q'TY	DESCRIPTION	REMARKS	NOTE1	NOTE2
20		210417-52730	1	BOLT, WING	5*20	Sr/Nr 001305 to 005165	
20		210417-09560	1	BOLD, WING	5*24	Sr/Nr 005166 and after	
21		890121-06360	1	LABEL, CHOKE		Sus. by 890121-09560	
21		890121-05360	1	LABEL, METERING		Sus. by 890121-09560	
21		890121-09560	1	LABEL, CHOKE			
23		129011-09560	1	PLATE		Sr/Nr 005166 and after	
29		145871-44331	1	COVER, MUFFLER		Sus. by A320-000251	
29		145871-52130	1	COVER, MUFFLER		Sus. by A320-000251	
29		A320-000250	1	COVER,MUFFLER		Sus. by A320-000251	
29		A320-000251	1	COVER,MUFFLER		Sr/Nr 35501001 and after	
28		145802-05960	1	MUFFLER ASSY		Sus. by 145802-08960	
28		145802-08960	1	MUFFLER ASSY		Sr/Nr 35501700 and before	
28		P021-008380	1	MUFFLER ASY		Sr/Nr 36001001 and after	

3. Air Cleaner, Muffler



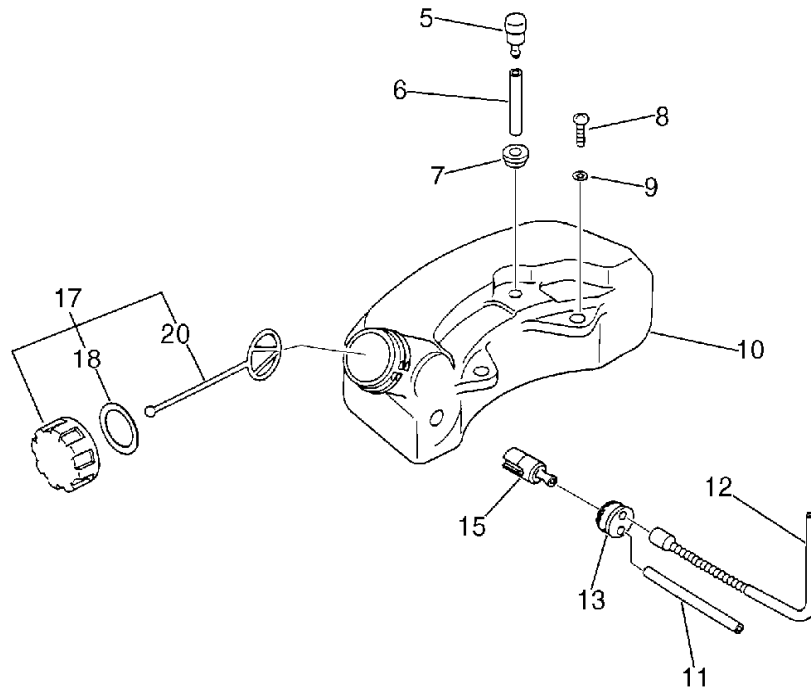
KEY	LV	PART NUMBER	Q'TY	DESCRIPTION	REMARKS	NOTE1	NOTE2
30	+	145510-42031	2	GASKET, MUFFLER		Sus. by V104-000160	
30	+	V104-000160	2	GASKET, EXHAUST			
32	+	145866-42031	1	GASKET, MUFFLER LID		Sr/Nr 35501700 and before	
32	+	V104-000003	1	GASKET, EXHAUST		Sr/Nr 36001001 and after	
33	+	145876-42030	1	LID, MUFFLER (B)			
34	+	145863-06960	1	FIXTURE, SCREEN		Sus. by 145863-08960	
34	+	145863-08960	1	GUIDE, EXHAUST			
35	+	900242-04010	3	SCREW 4*10	4*10		
36		900105-05055	2	BOLT, H.S. 5*55	5*55		
37		900600-00005	2	WASHER 5	5		

4. Fuel Tank



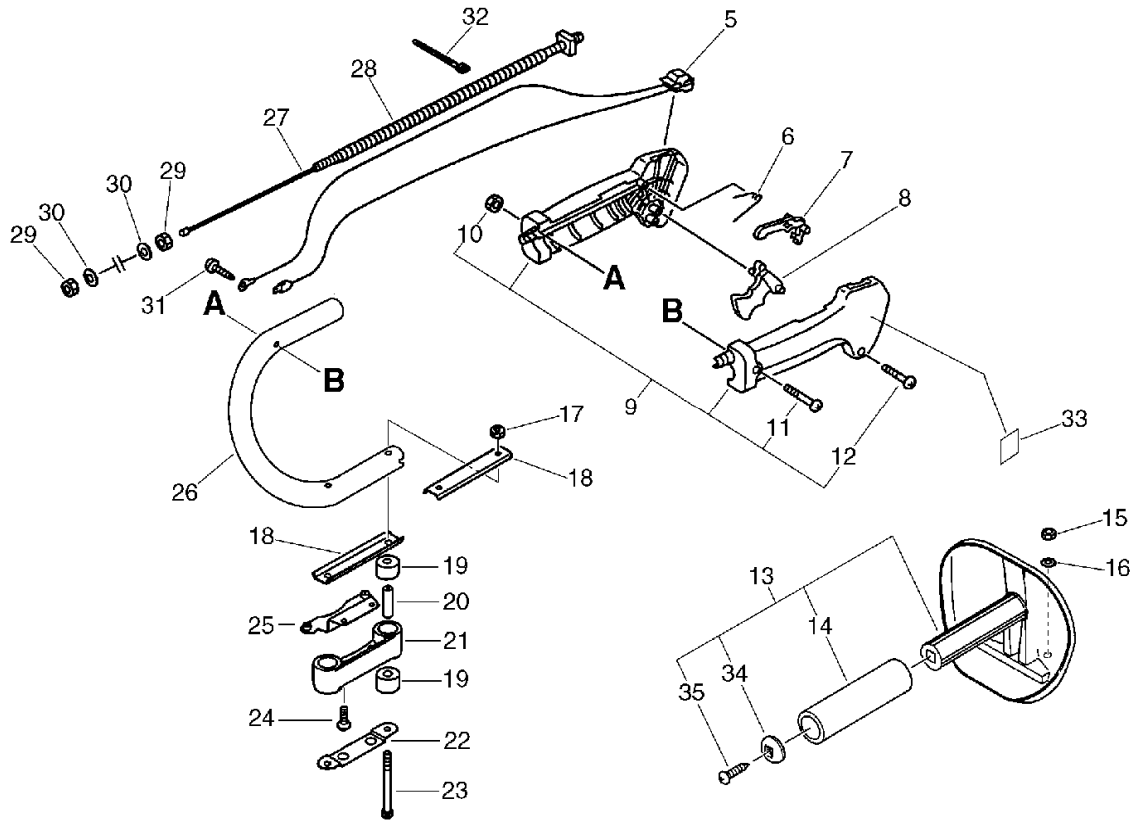
KEY	LV	PART NUMBER	Q'TY	DESCRIPTION	REMARKS	NOTE1	NOTE2
5		131300-40630	1	VALVE, CHECK		Sus. by A356-000030	
5		A356-000030	1	VALVE,CHECK		Sr/Nr 35501000 and before	
5		131300-40630	1	VALVE, CHECK		Sus. by A356-000030	
5		131300-56430	1	VALVE, CHECK		Sus. by A356-000030	
5		A356-000030	1	VALVE,CHECK		Sr/Nr 35501001 and after	
6		132010-21160	1	PIPE, FUEL	3*6*35	Sus. by V471-001180	
6		V471-001180	1	PIPE	3*6*35 NBR		
7		132115-01461	1	GROMMET			
8		900238-05016	2	SCREW 5*16	5*16	Sus. by 900243-05016	
8		900243-05016	2	SCREW 5*16	5*16		
9		900603-00005	2	WASHER 5	5.5*12*0.8	Sus. by 900243-05016	
10		131002-08960	1	TANK, FUEL		Sus. by 131002-08961	
10		131002-08961	1	TANK, FUEL			
11		132717-06460	1	PIPE 3*5*110	3*5*110	Sus. by 132010-06460	
11		132010-06460	1	PIPE 3* 6*110	3*6*110 YL		
12		132010-02160	1	PIPE, FUEL (INNER)	L=190		

4. Fuel Tank



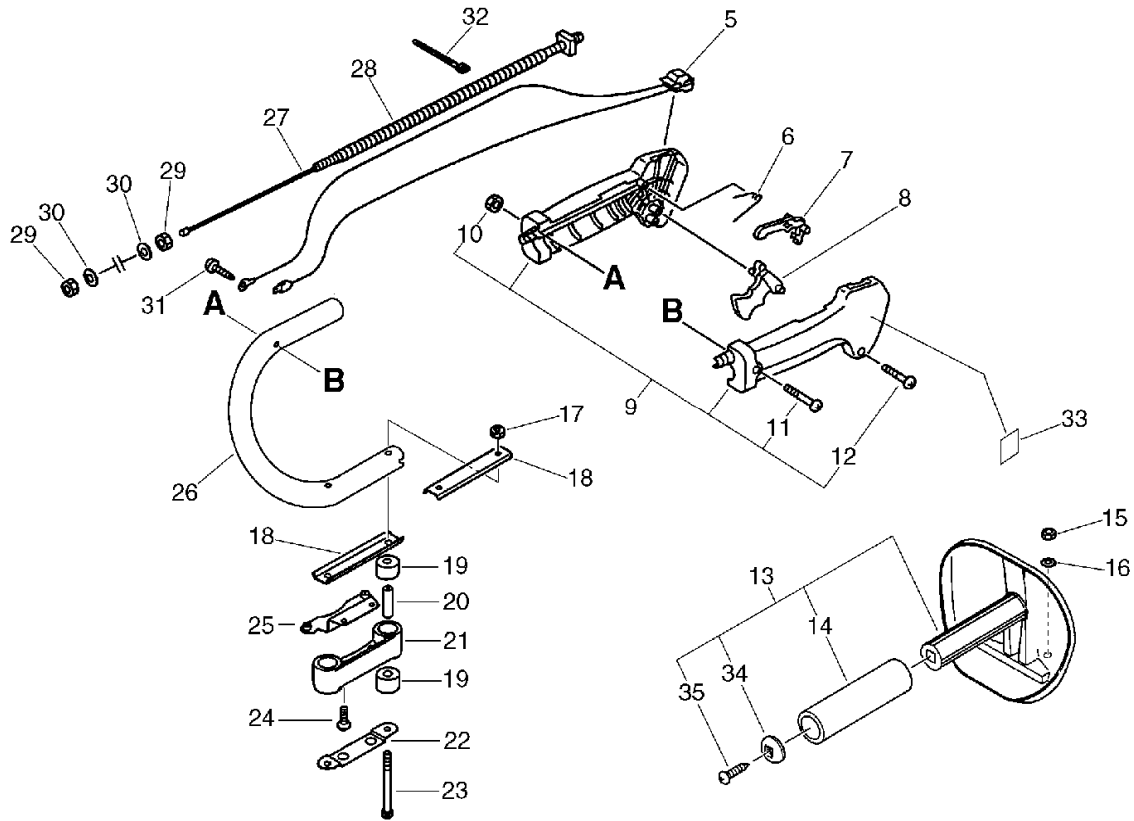
KEY	LV	PART NUMBER	Q'TY	DESCRIPTION	REMARKS	NOTE1	NOTE2
13		132115-44330	1	GROMMET			
15		131205-50430	1	STRAINER, FUEL		Sus. by 131205-07320	
15		131205-07320	1	STRAINER, FUEL			
17		131004-48730	1	CAP ASSY, FUEL TANK		Sus. by 131004-55730	
17		131004-55730	1	CAP ASSY, FUEL TANK		Sus. by 131004-06560	
17		131004-06560	1	CAP ASSY, FUEL TANK		Sus. by 131004-08960	
17		131004-08960	1	CAP ASSY, FUEL			
18	+	131016-40930	1	GASKET, FUEL CAP		Can be used on the 131004-06560 only	
18	+	131016-55830	1	GASKET, FUEL CAP		Can be used on the 131004-08960 only	
20	+	131051-52430	1	CONNECTOR, CAP	80L		

5. Handle



KEY	LV	PART NUMBER	Q'TY	DESCRIPTION	REMARKS	NOTE1	NOTE2
5		163400-05960	1	SWITCH, IGNITION		Sus. by A440-000320	
5		A440-000320	1	SWITCH, ON OFF			
6		178013-35631	1	SPRING, THR. LOCK			
7		178012-05960	1	LOCKOUT, THROTTLE			
8		178010-05960	1	CONTROL, THROTTLE			
9		351102-47530	1	GRIP ASSY, F-HANDLE			
10	+	900500-00005	1	NUT 5	5		
11	+	900220-05030	1	SCREW 5*30	5*30		
12	+	900246-03025	4	SCREW 3*25	3*25		
13		351200-07360	1	HANDLE ASSY		Sus. by 351200-07362	
13		351200-07361	1	HANDLE ASY		Sus. by 351200-07362	
13		351200-07362	1	HANDLE ASY			
14	+	351012-07360	1	GRIP, HANDLE	22*32*155L	Sus. by 351012-07361	
14	+	351012-07361	1	GRIP, REAR HANDLE			
34	+	351217-07360	1	SUPPORTER, F. HANDLE			
35	+	900253-05014	1	SCREW 5*14	5*14		
15		433022-06460	2	NUT			
16		900603-00006	2	WASHER 6	6.5*13*1		
17		900560-00005	2	NUT, LOCK 5	5		
18		351243-01260	2	BRACKET			
19		351228-01260	4	CUSHION			
20		351241-01260	2	SPASER			

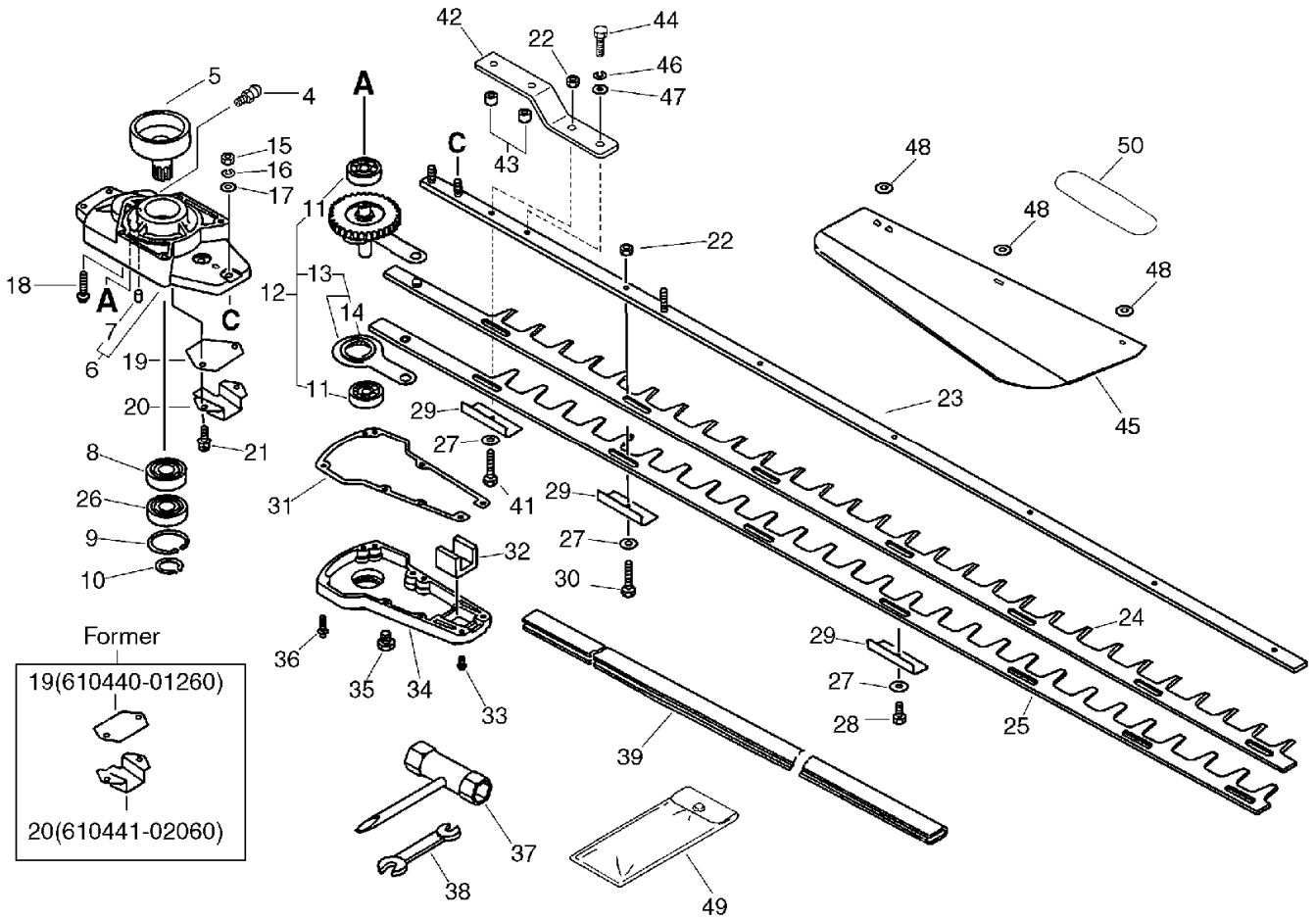
5. Handle



KEY	LV	PART NUMBER	Q'TY	DESCRIPTION	REMARKS	NOTE1	NOTE2
21		351217-05960	1	SUPPORTER, F.HANDLE			
22		351242-01261	1	PLATE			
23		900105-05060	2	BOLT, H.S. 5*60	5*60		
24		900242-05016	2	SCREW 5*16	5*16	Sus. by 900238-05016	
24		900238-05016	2	SCREW 5*16	5*16		
25		610438-01260	1	PLATE			
26		351205-08960	1	HANDLE, REAR		Sus. by 351205-08961	
26		351205-08961	1	HANDLE, REAR			
27		178001-05960	1	WIRE, THROTTLE			
28		178127-05960	1	TUBE	7*330		
29		900502-00006	2	NUT 6 (3N)	3N6		
30		900600-00006	2	WASHER 6	6		
31		900238-05010	1	SCREW 5*10	5*10		
32		178121-10050	1	BAND	CV-150		
33		890157-06560	1	LABEL, SWITCH		Sus. by 890157-39130	
33		890157-39130	1	LABEL, SWITCH		Sr/Nr 35501001 to Sr/Nr 36001616 Disuse	

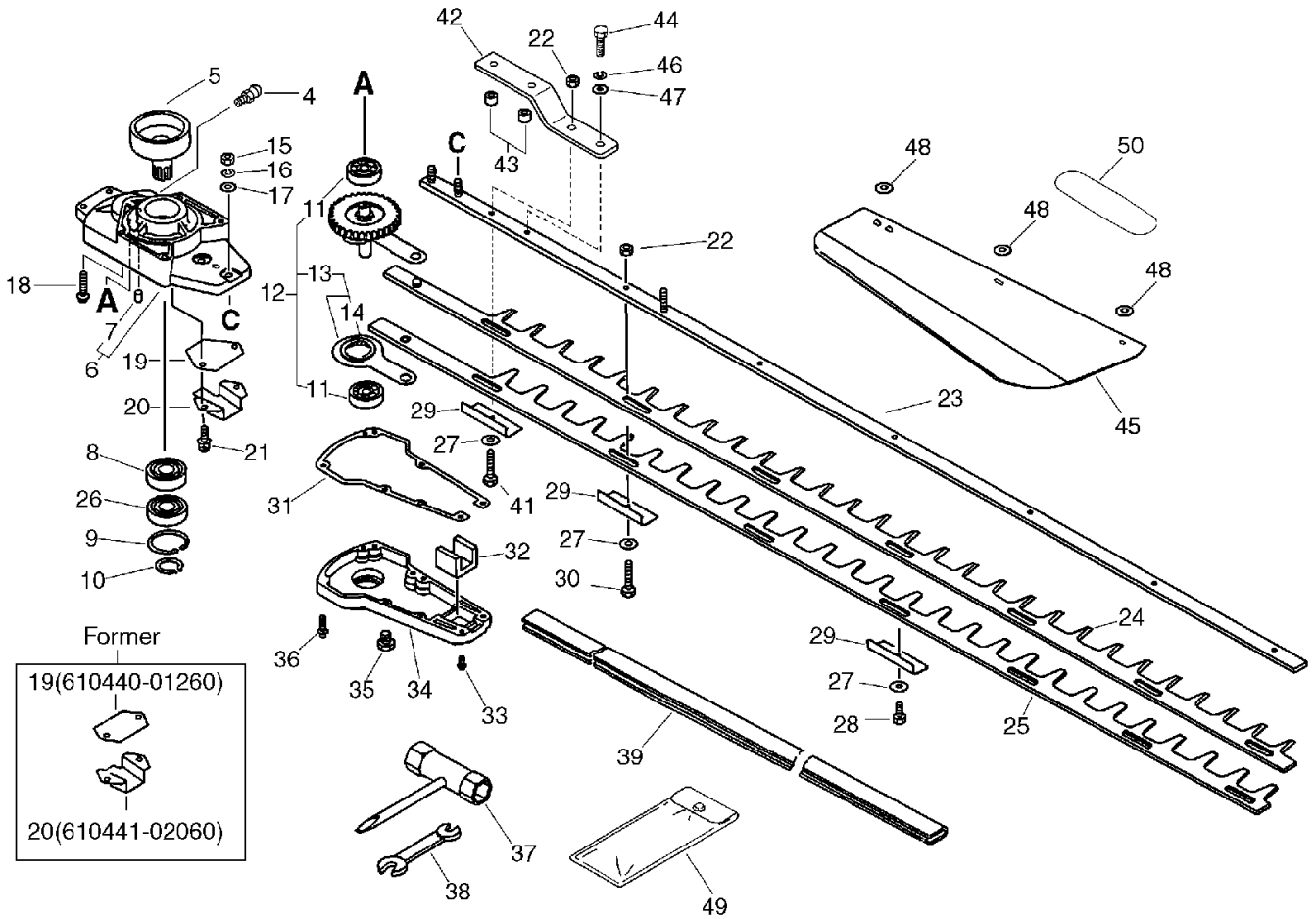


6. Gear Case, Cutter, Tools



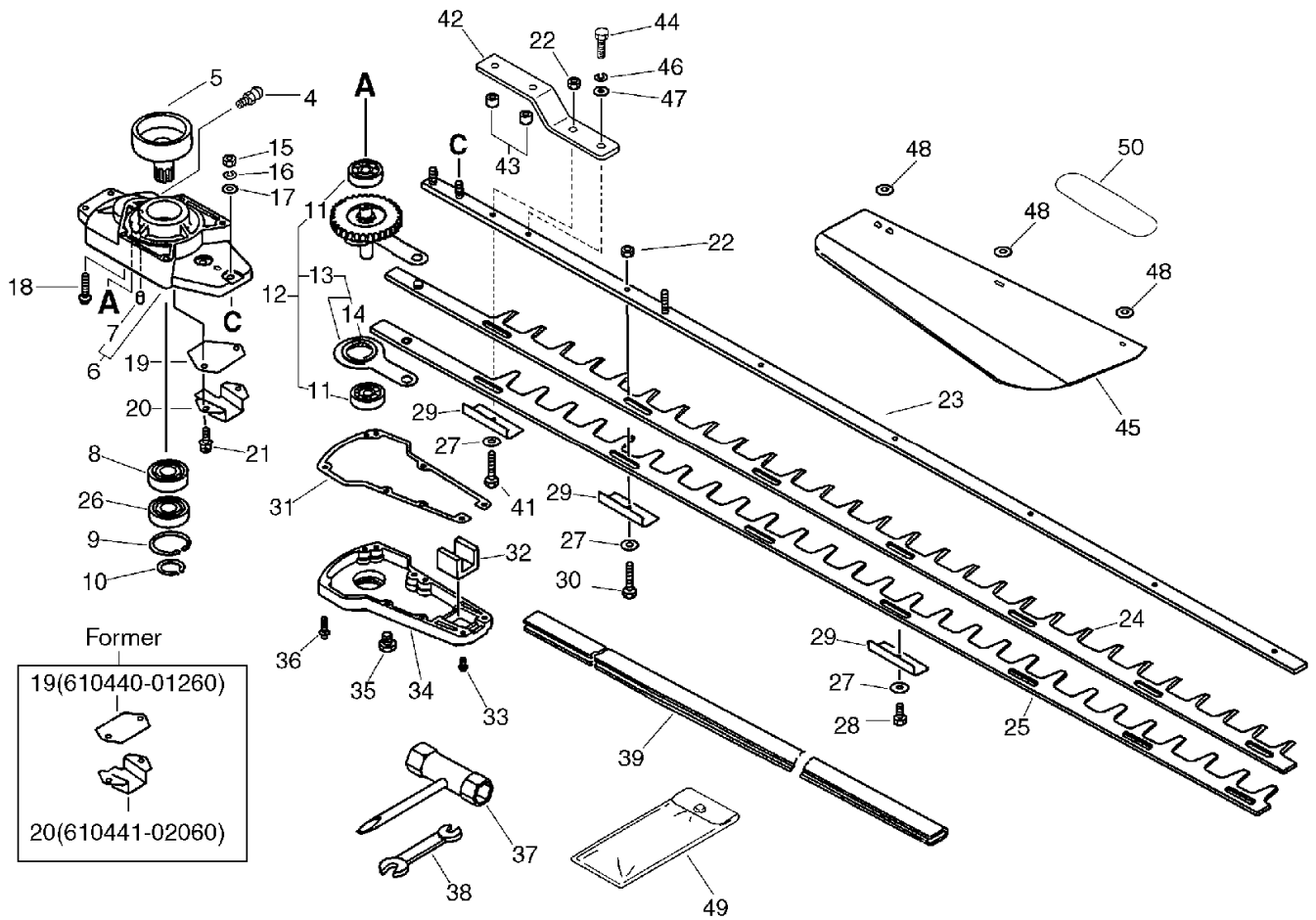
KEY	LV	PART NUMBER	Q'TY	DESCRIPTION	REMARKS	NOTE1	NOTE2
5		175003-01261	1	DRUM W/CLIP, CLUTCH			Sr/Nr 005000 and before, 35001001 to 35501000
10	+	900701-00016	1	CIRCLIP 16	CS-16		Sr/Nr 005000 and before, 35001001 to 35501000
5		175005-08960	1	DRUM, CLUTCH			Sr/Nr 005001 to 35001000
5		175005-01260	1	DRUM, CLUTCH			Sr/Nr 35501001 and after
10		900701-00019	1	CIRCLIP 19	CS-19		Sr/Nr 005001 to 35001000
10		900701-00016	1	CIRCLIP 16	CS-16		Sr/Nr 35501001 and after
6		610410-05960	1	CASE, GEAR			Sr/Nr 001354 and before
6		610420-08560	1	CASE, GEAR			Sr/Nr 001355 to 005000
6		610407-08961	1	CASE, GEAR			Sr/Nr 005001 to 35501000
6		610407-08562	1	CASE, GEAR			Sr/Nr 35501001 and after
4	+	880110-10860	1	NIPPLE, GREASE			
7	+	100215-03930	2	PIN, DOWEL			

6. Gear Case, Cutter, Tools



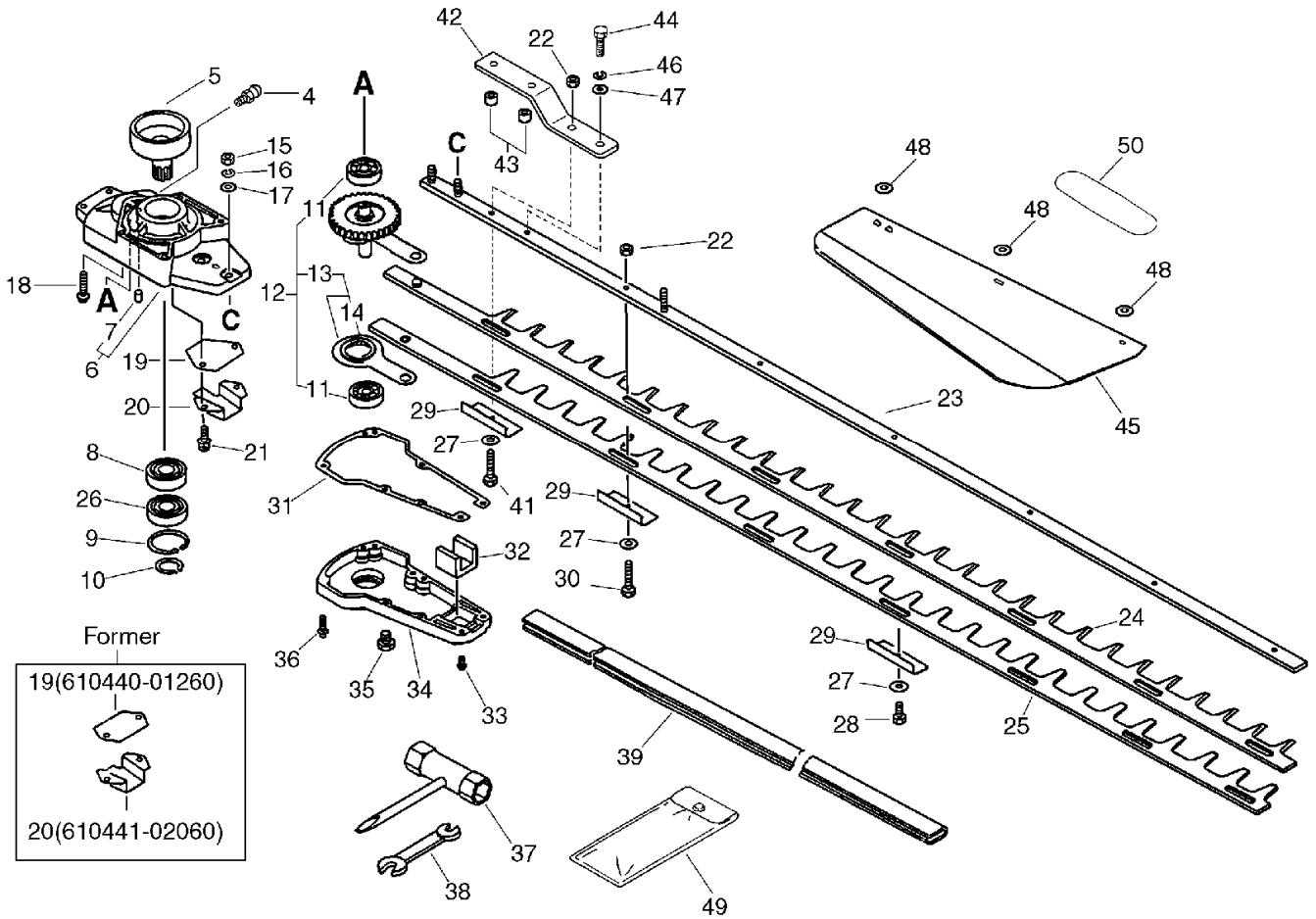
KEY	LV	PART NUMBER	Q'TY	DESCRIPTION	REMARKS	NOTE1	NOTE2
8		900802-06003	1	BEARING, BALL 6003	6003DDU(LLU)	Sr/Nr 005000 and before	
8		900857-06904	1	BEARING, BALL 6904	6904DDU	Sr/Nr 005001 to 35501000	
9		900702-00035	1	CIRCLIP 35	CR-35	Sr/Nr 005000 and before, 35501001 and after	
9		900702-00037	1	CIRCLIP 37	CR-37	Sr/Nr 005001 to 35501000	
12		610302-01260	1	GEAR ASS'Y		Sr/Nr 005000 and before	
12		610302-08961	1	GEAR ASY		Sr/Nr 005001 and after	
12		610302-09661	1	GEAR ASY		Sr/Nr 35501001 and after	
11	+	900810-06200	2	BEARING, BALL 6200	6200		
13	+	610307-01260	2	CON-ROD ASS'Y		Sus. by 610307-01261	
13	+	610307-01261	2	ROD, CONNECTING			
14	++	610327-01260	2	BEARING, NEEDLE		Sus. by 610327-01261	
14	++	610327-01261	2	BEARING, NEEDLE			
15		900500-00006	2	NUT 6	6		
16		900605-00006	2	WASHER, SPRING 6	6		
17		900600-00006	2	WASHER 6	6		

6. Gear Case, Cutter, Tools



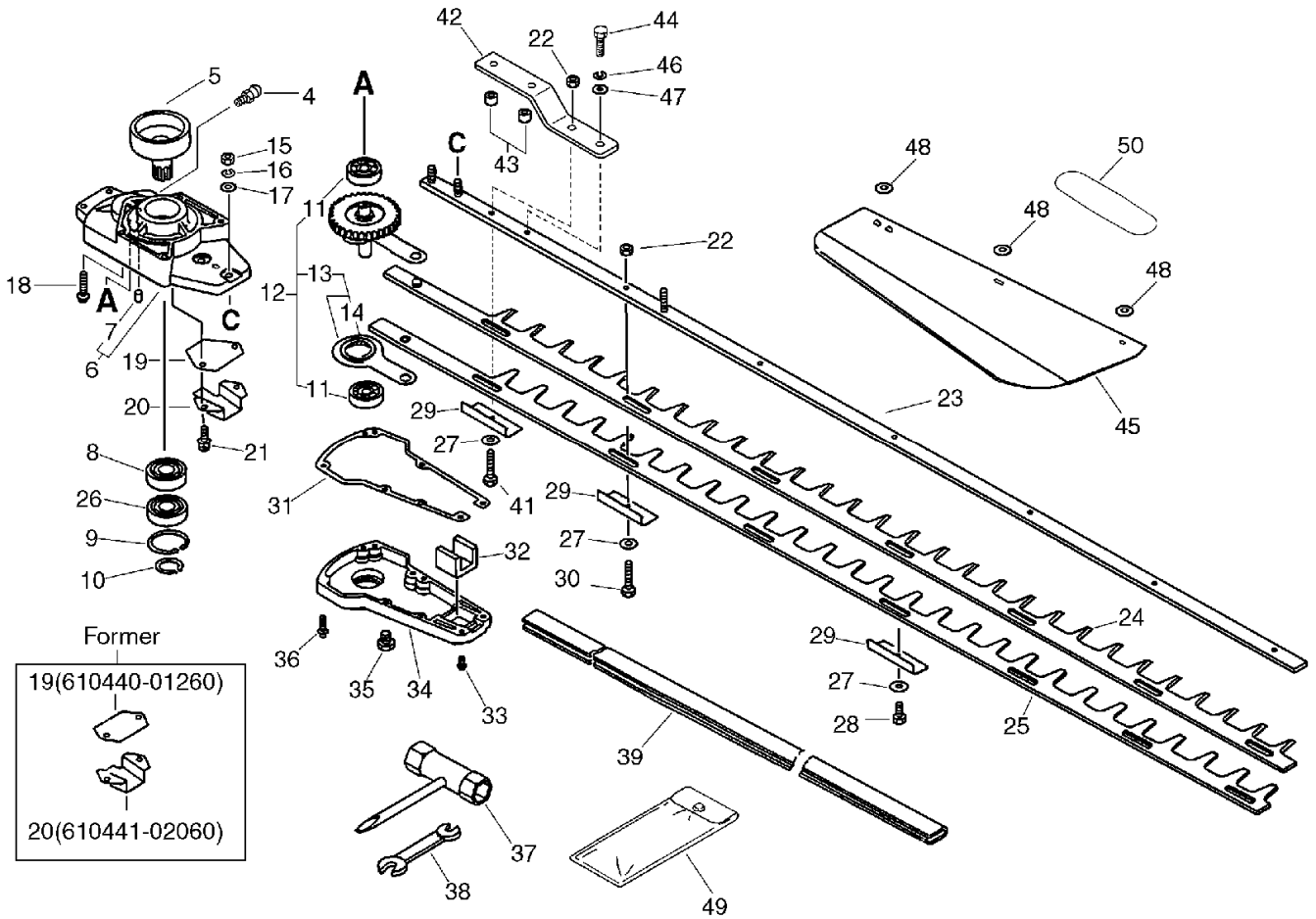
KEY	LV	PART NUMBER	Q'TY	DESCRIPTION	REMARKS	NOTE1	NOTE2
18		900162-05030	4	BOLT, H.S. 5*30	5*30 W,SW	Sus. by 900162-05028	
19		610440-01260	1	GUIDE		Sr/Nr 005000 and before	
19		610440-08960	1	GUIDE,CUTTER		Sr/Nr 005001 and after	
20		610441-02060	1	GUIDE		Sr/Nr 005000 and before	
20		610441-08960	1	GUIDE,CUUTER		Sr/Nr 005001 and after	
21		900162-05014	2	BOLT, H.S. 5*14	5*14 W,SW		
22		433022-06460	6	NUT			
23		699105-08960	1	BAR, FRAME		Sus. by X425-000290	
23		X425-000050	1	SUPPORT,CUTTER		Sus. by X425-000290	
23		X425-000051	1	SUPPORT,CUTTER	L1047.5	Sus. by X425-000290	
23		X425-000290	1	SUPPORT,CUTTER	L=804 T=5.0		
24		697010-08960	1	CUTTER (UPPER)		Sr/Nr 005000 and before	
24		697010-09760	1	CUTTER		Sus. by X411-000470	
24		X411-000150	1	CUTTER	USM L=1097 T=3	Sus. by X411-000470	

6. Gear Case, Cutter, Tools



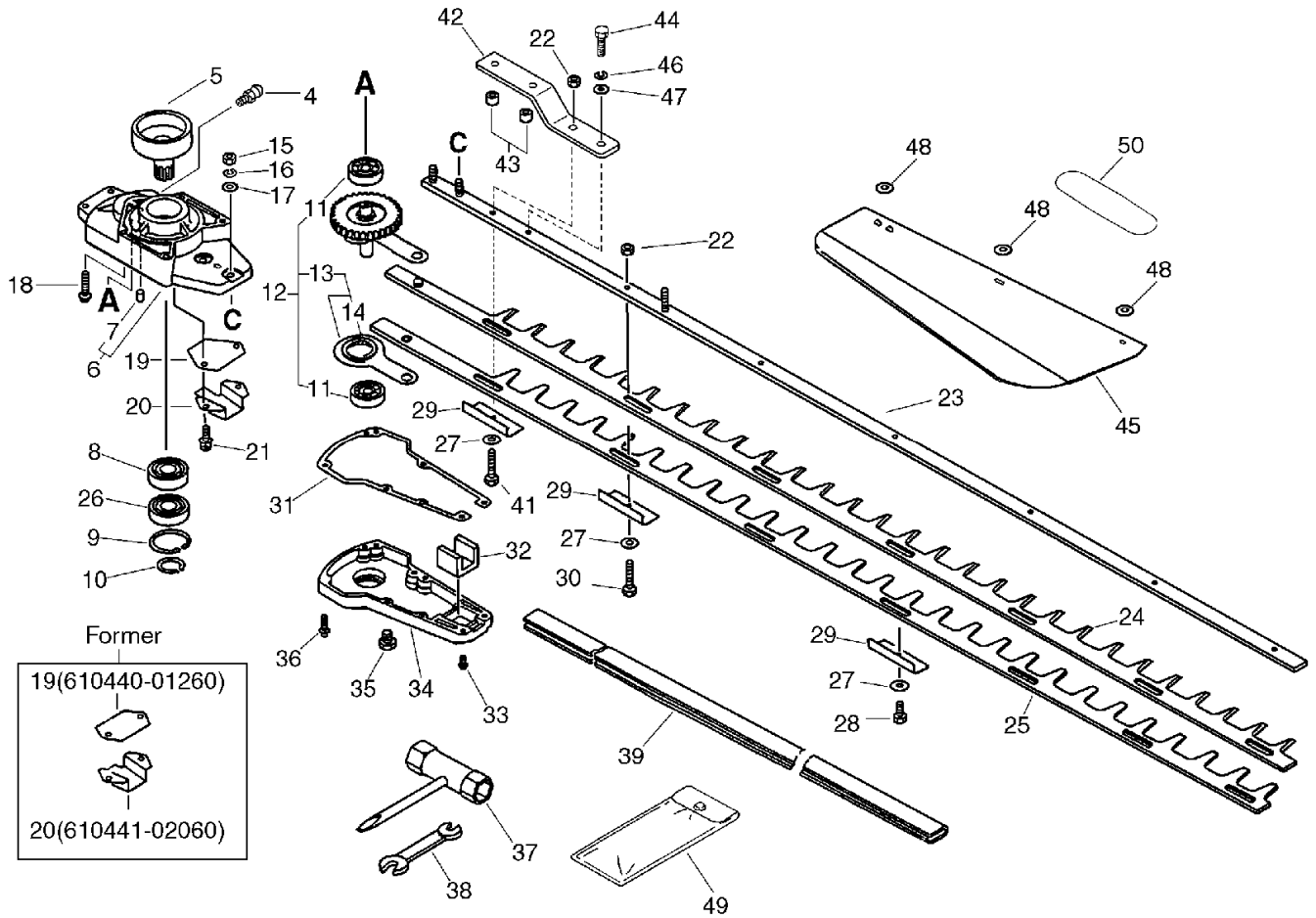
KEY	LV	PART NUMBER	Q'TY	DESCRIPTION	REMARKS	NOTE1	NOTE2
24		X411-000470	1	CUTTER	L=1097	Sr/Nr 005001 and after	
25		697011-08960	1	CUTTER (LOWER)		Sr/Nr 005000 and before	
25		697011-09760	1	CUTTER		Sus. by X411-000480	
25		X411-000100	1	CUTTER		Sus. by X411-000480	
25		X411-000480	1	CUTTER	L=1097	Sr/Nr 005001 and after	
26		900802-06003	1	BEARING, BALL 6003	6003DDU(LLU)	Sr/Nr 005000 before	
26		900855-06904	1	BEARING, BALL 6904	6904	Sr/Nr 005001 to 355101000	
26		900802-06003	2	BEARING, BALL 6003	6003DDU(LLU)	Sr/Nr 355101001 and after	
27		699118-01261	7	WASHER		Sus. by 699118-04560	
27		699118-04560	7	WASHER			
28		699115-02062	4	BOLT		Sr/Nr 355101000 and before	
28		699115-02062	5	BOLT		Sr/Nr 355101001 and after	
29		699213-02062	7	INSULATOR		Sus. by 699213-02063	

6. Gear Case, Cutter, Tools



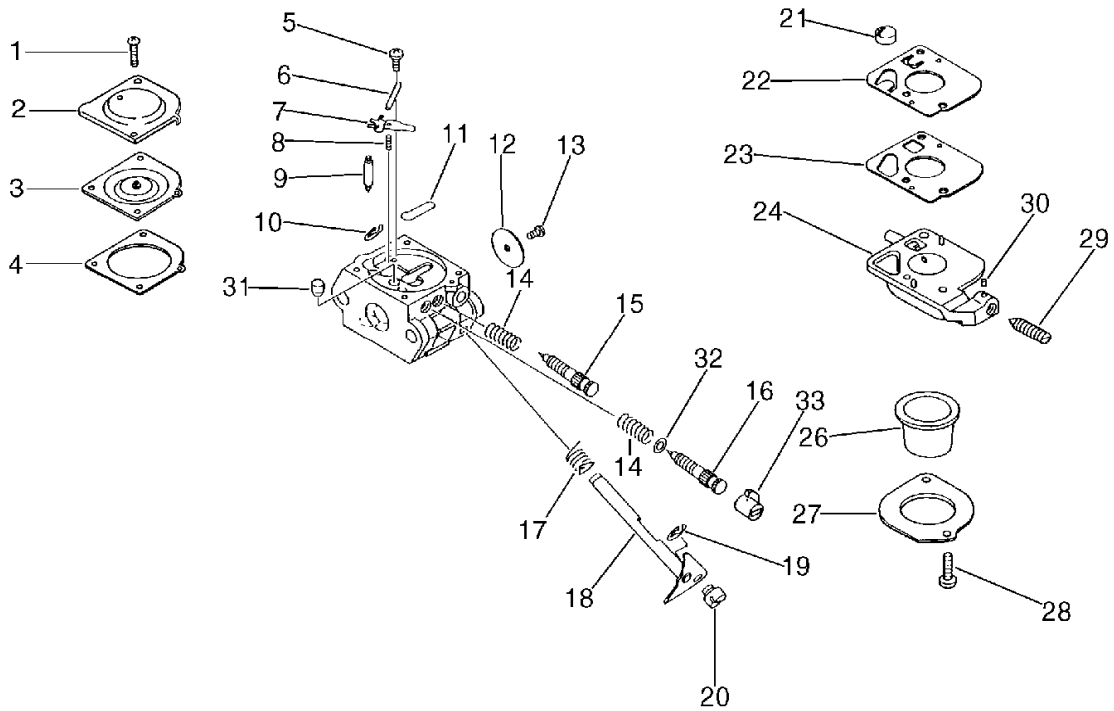
KEY	LV	PART NUMBER	Q'TY	DESCRIPTION	REMARKS	NOTE1	NOTE2
29		699213-02063	7	INSULATOR			
30		351027-02060	1	BOLT			
31		610414-01260	1	GASKET, GEAR HOUSING			
32		610426-01260	1	SEAL			
33		900242-04014	4	SCREW 4*14	4*14		
34		610411-05960	1	LID,GEARE CASE		Sr/Nr 001354 and before	
34		610431-08960	1	LID, GEAR CASE		Sus. by 610431-08961	
34		610431-08961	1	LID, GEAR CASE		Sr/Nr 001355 and after	
35		610434-50030	1	BOLT 8* 6		Sr/Nr 001354 and before	
36		900242-04022	2	SCREW 4*22	4*22		
37		895410-00430	1	WRENCH, W/S. DRIVER			
38		895112-00330	1	SPANNER 8*10			
39		898523-08960	1	SCABBARD, BLADE			
41		699115-08960	1	BOLT, CUTTER			
42		699213-08960	1	PLATE			
43		699111-08960	2	SPACER, CUTTER			
44		900100-06010	1	BOLT 6*10	6*10		
45		699511-06560	1	GUIDE, CORRECTION			
46		900605-00006	1	WASHER, SPRING 6	6		
47		900600-00006	1	WASHER 6	6		
48		900603-00006	3	WASHER 6	6.5*13*1		

6. Gear Case, Cutter, Tools



KEY	LV	PART NUMBER	Q'TY	DESCRIPTION	REMARKS	NOTE1	NOTE2
49		898510-39130	1	BAG, TOOL		Sr/Nr 35501001 and after	
50		X502-000280	1	LABEL,ECHO	195*52.5	Sus. by X502- 000510	

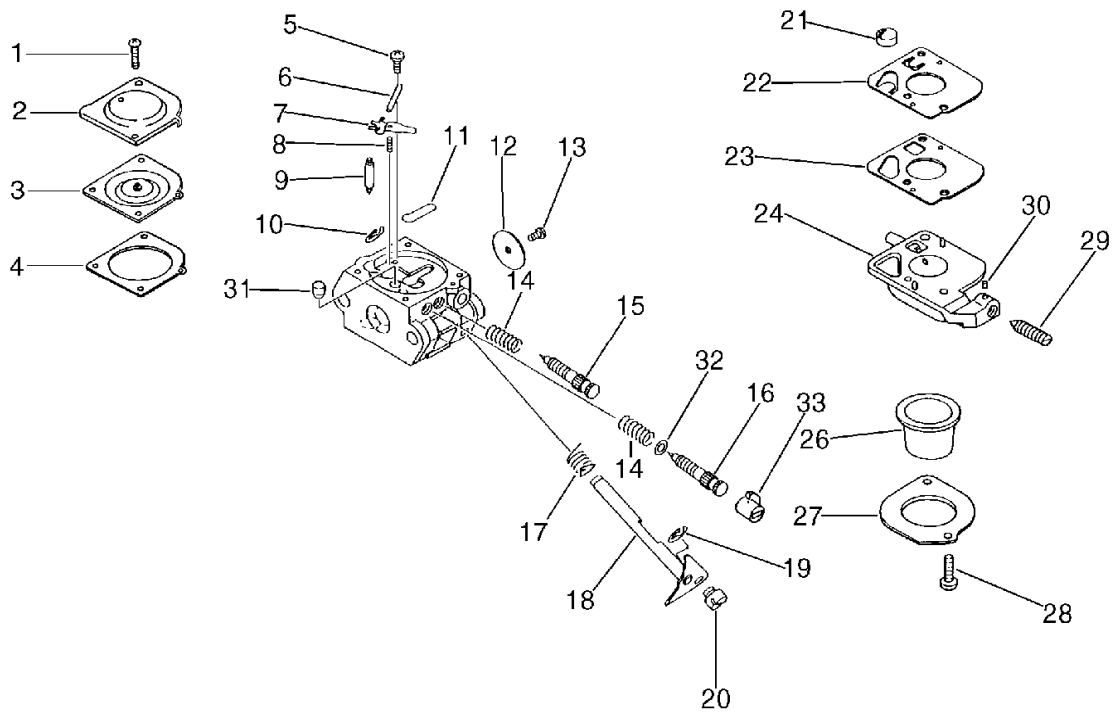
7. Carburetor(Sr/Nr 001304 and before)



KEY	LV	PART NUMBER	Q'TY	DESCRIPTION	REMARKS	NOTE1	NOTE2
		125200-08962	1	CARBURETOR ASSY	C1U-K31B	Sr/Nr 001304 and before	
1	+	125344-52130	2	SCREW			
2	+	125342-52130	1	COVER, DIAPHRAGM		Sus. by 125342-13210	
2	+	125342-13210	1	COVER, DIAPHRAGM			
3	+	125341-42030	1	DIAPHRAGM			
4	+	125340-51030	1	GASKET, DIAPHRAGM			
5	+	125339-42030	1	SCREW			
6	+	125338-13930	1	PIN, METERING ARM			
7	+	125323-42030	1	LEVER, METERING			
8	+	125322-42030	1	SPRING, COIL			
9	+	125337-06960	1	VALVE, INLET NEEDLE			
10	+	125327-15130	1	CLIP			
11	+	125345-15130	1	PLUG, WELCH			
12	+	125316-42030	1	VALVE, THROTTLE			
13	+	125314-13930	1	SCREW	3*4		
14	+	125319-42030	2	SPRING, COIL			
15	+	125318-42030	1	NEEDLE, IDLE			
16	+	125320-07760	1	NEEDLE, HIGH SPEED			
17	+	125313-42030	1	SPRING, THRT. RETURN			
18	+	125317-42030	1	SHAFT, THROTTLE			
19	+	125327-13930	1	CLIP			
20	+	125372-42030	1	SWIVEL			
21	+	125326-42030	1	STRAINER			
22	+	125312-42030	1	DIAPHRAGM, FUEL PUMP			



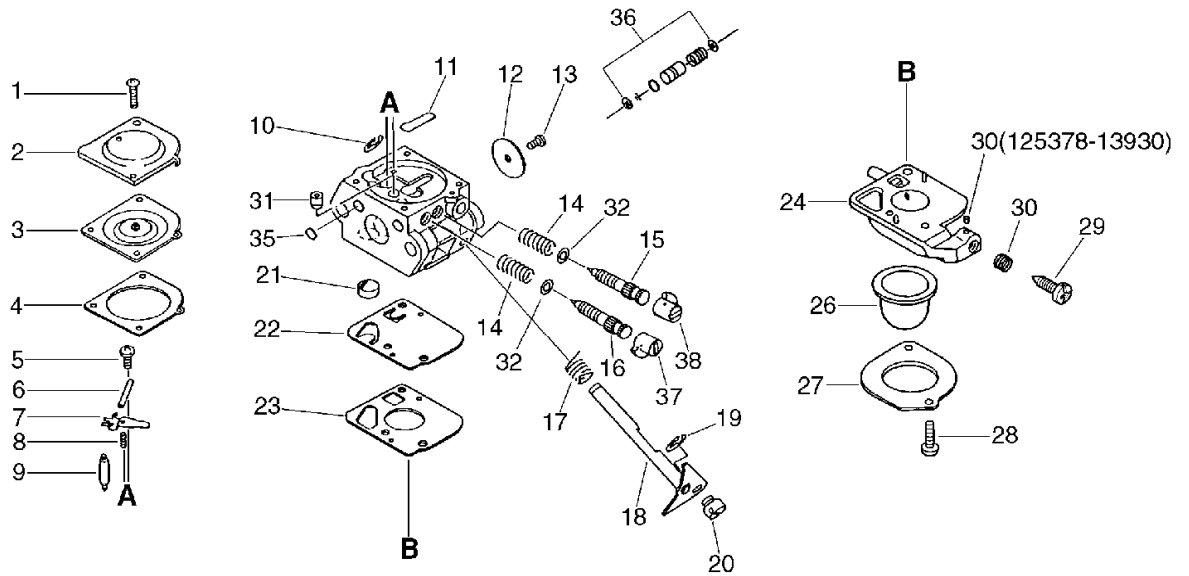
7. Carburetor(Sr/Nr 001304 and before)



KEY	LV	PART NUMBER	Q'TY	DESCRIPTION	REMARKS	NOTE1	NOTE2
23	+	125325-42030	1	GASKET, FUEL PUMP			
24	+	125324-11610	1	COVER, PUMP			
26	+	125381-46730	1	PUMP, PRIMING			
27	+	125363-11610	1	RING			
28	+	125310-11610	2	SCREW			
29	+	125334-13930	1	SCREW, IDLE ADJUST			
30	+	125378-13930	1	PIECE, FRICTION			
31	+	125376-07760	1	NOZZLE, CHECK VALVE			
32	+	125353-07760	1	WASHER			
33	+	125329-08960	1	LIMITER, MIXTURE			

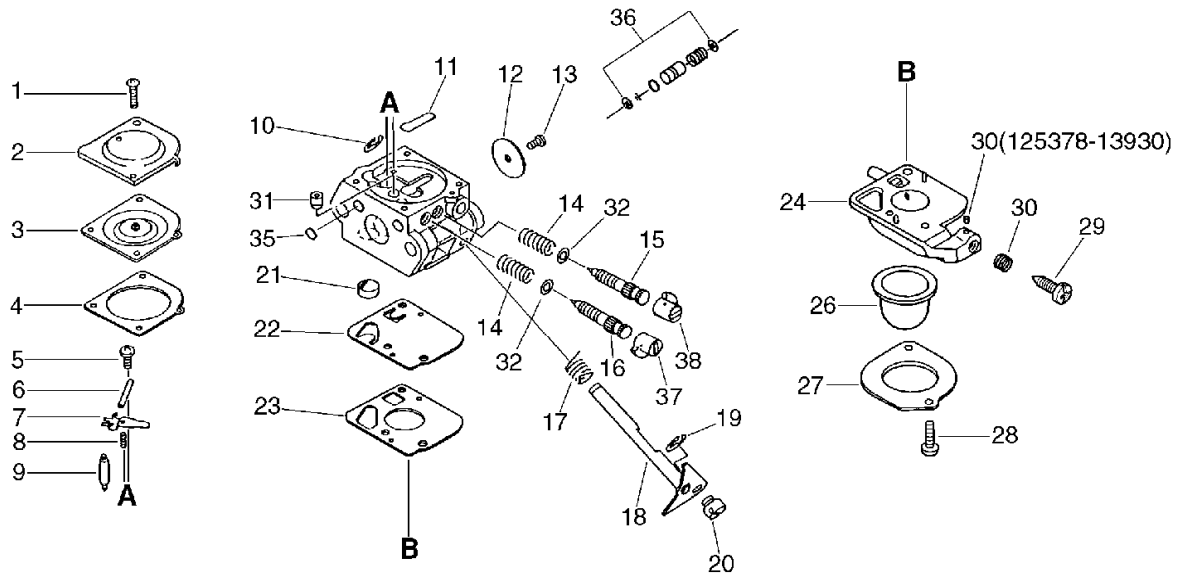


8. Carburetor(Sr/Nr 001305 and after)



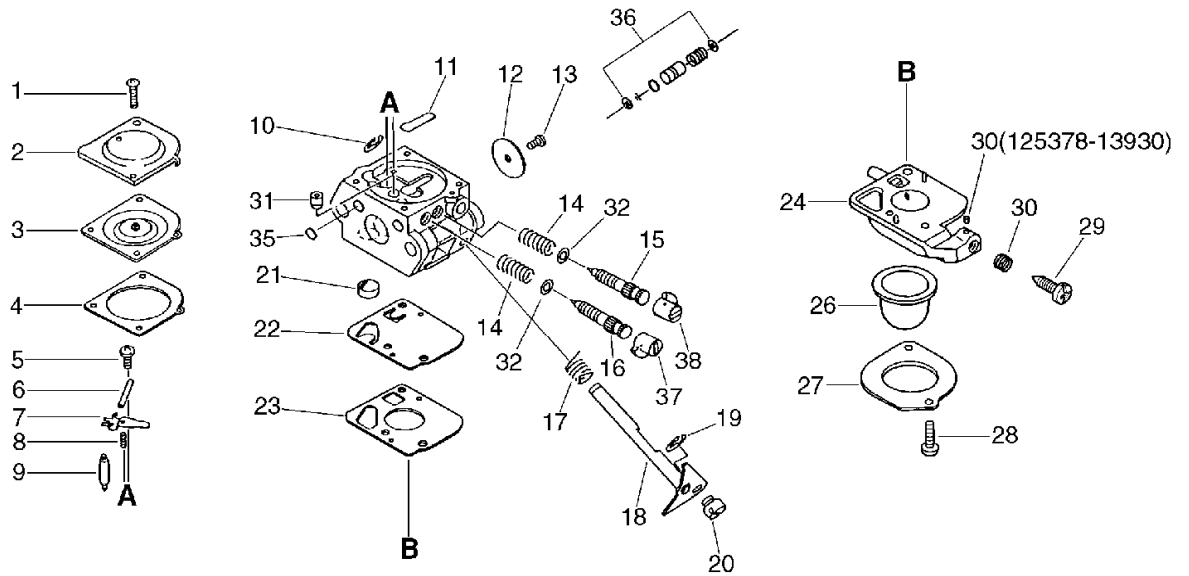
KEY	LV	PART NUMBER	Q'TY	DESCRIPTION	REMARKS	NOTE1	NOTE2
		125200-08460	1	CARBURETOR ASSY	C1U-K45	Sus. by 125200-05964	
		125200-05961	1	CARBURETOR C1U-K51	C1U-K51	Sus. by 125200-05964	
		125200-05962	1	CARBURETOR	C1U-K51	Sus. by 125200-05964	
		125200-05963	1	CARBURETOR C1U-K51	C1U-K51	Sus. by 125200-05964	
		125200-05964	1	CARBURETOR	C1U-K51	Sr/Nr 001305 and after	
1	+	125344-52130	2	SCREW			
2	+	125342-13210	1	COVER, DIAPHRAGM		Sus. by 125342-52130	
2	+	125342-52130	1	COVER, DIAPHRAGM			
3	+	125341-42030	1	DIAPHRAGM		Sr/Nr 001305 to 001797	
3	+	125341-49030	1	DIAPHRAGM		Sr/Nr 001798 and after	
4	+	125340-51030	1	GASKET, DIAPHRAGM			
5	+	125339-42030	1	SCREW			
6	+	125338-13930	1	PIN, METERING ARM			
7	+	125323-42030	1	LEVER, METERING			
8	+	125322-42030	1	SPRING, COIL			
9	+	125337-06960	1	VALVE, INLET NEEDLE			
10	+	125327-15130	1	CLIP			
11	+	125345-15130	1	PLUG, WELCH			

8. Carburetor(Sr/Nr 001305 and after)



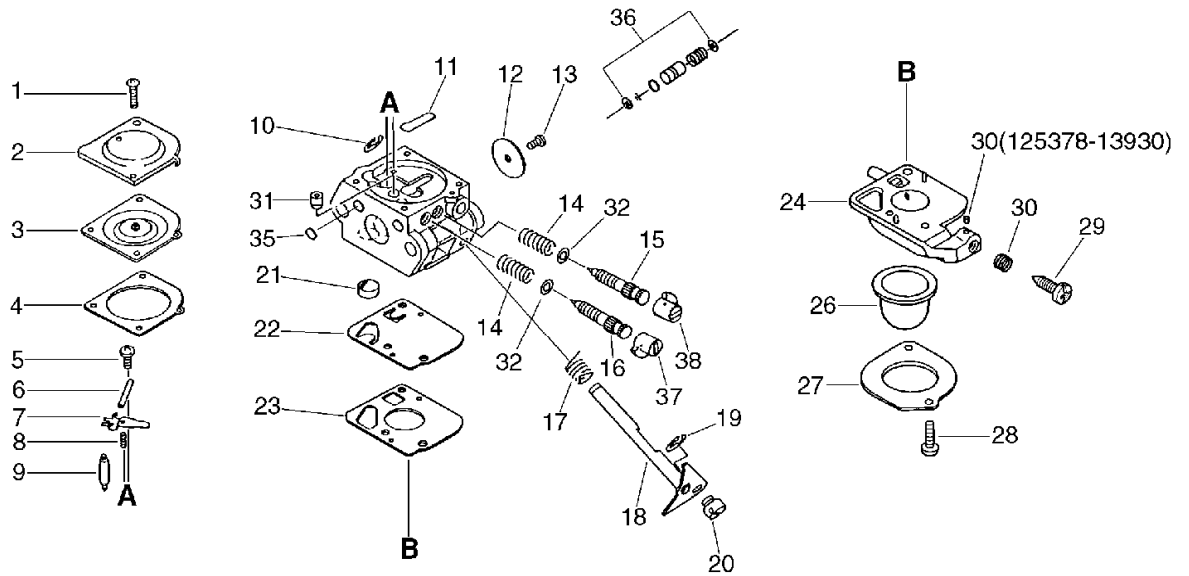
KEY	LV	PART NUMBER	Q'TY	DESCRIPTION	REMARKS	NOTE1	NOTE2
12	+	125316-49030	1	VALVE, THROTTLE			
13	+	125314-13930	1	SCREW	3*4		
14	+	125319-42030	2	SPRING, COIL		Sr/Nr 001305 to 001797	
15	+	125318-07360	1	NEEDLE, IDLE		Sr/Nr 001305 to 001797	
15	+	125318-13120	1	SCREW, IDLE NEEDLE		Sr/Nr 001798 and after	
16	+	125320-07360	1	NEEDLE, HIGH SPEED		Sr/Nr 001305 to 001797	
16	+	125320-13310	1	NEEDLE, HIGH SPEED		Sr/Nr 001798 and after	
17	+	125313-42030	1	SPRING, THRT. RETURN			
18	+	125317-49030	1	SHAFT, THROTTLE		Sr/Nr 001305 to 001797	
18	+	125317-13310	1	SHAFT, THROTTLE		Sr/Nr 001798 and after	
19	+	125327-13930	1	CLIP			
20	+	125372-42030	1	SWIVEL			
21	+	125326-42030	1	STRAINER			
22	+	125312-49030	1	DIAPHRAGM, FUEL PUMP		Can be used on the 125200-08460 only	

8. Carburetor(Sr/Nr 001305 and after)



KEY	LV	PART NUMBER	Q'TY	DESCRIPTION	REMARKS	NOTE1	NOTE2
22	+	125312-12820	1	DIAPHRAGM, FUEL PUMP			Can be used on the 125200-05961 and 125200-05962
23	+	125325-42030	1	GASKET, FUEL PUMP			Sus. by 125325-13310
23	+	125325-13310	1	GASKET, PUMP			
24	+	125324-11610	1	COVER, PUMP			Sus. by P005-000590
24	+	125383-13310	1	BASE, PRIMER			Sus. by P005-000590
24	+	P005-000590	1	BASE,ASY PRIMER			
26	+	125381-46730	1	PUMP, PRIMING			Sus. by 125381-08660
26	+	125381-08660	1	PUMP, PRIMING			
27	+	125363-11610	1	RING			
28	+	125310-11610	2	SCREW			
29	+	125334-13930	1	SCREW, IDLE ADJUST			Sr/Nr 002131 and before
29	+	125334-06960	1	SCREW, THROTTLE ADJUST			Sr/Nr 002132 and after
30	+	125378-13930	1	PIECE, FRICTION			Sr/Nr 002131 and before
30	+	125333-06960	1	SPRING, IDLE ADJUSTER			Sr/Nr 002132 and after

8. Carburetor(Sr/Nr 001305 and after)



KEY	LV	PART NUMBER	Q'TY	DESCRIPTION	REMARKS	NOTE1	NOTE2
31	+	125376-49030	1	NOZZLE, CHACK VALVE		Can be used on the 125200-08460 only	
31	+	125376-13120	1	NOZZLE, CHECK VALVE		Can be used on the 125200-05961 and 125200-05962	
32	+	125353-20560	2	WASHER		Sr/Nr 001305 to 001797	
35	+	125345-13310	1	PLUG, WELCH		Can be used on the 125200-05961 and 125200-05962	
36	+	125306-13120	1	PUMP KIT, ACC.		Sr/Nr 001798 and after	
37		125329-39030	1	LIMITER, MIXTURE		Sr/Nr 35501700 and before	
37		A259-000030	1	CAP,LIMITER		Sr/Nr 36001001 and after	
38		125329-09860	1	LIMITER, MIXTURE		Sr/Nr 36001001 and after	

9. Repair Kit

KEY	LV	PART NUMBER	Q'TY	DESCRIPTION	REMARKS	NOTE1	NOTE2
		125303-13310	1	DIAPHRAGM/GASKET KIT			
8-3	+	125341-49030	1	DIAPHRAGM			
8-4	+	125340-51030	1	GASKET, DIAPHRAGM			
8-22	+	125312-12820	1	DIAPHRAGM, FUEL PUMP			
8-23	+	125325-13310	1	GASKET, PUMP			
		125300-13310	1	REBUILD KIT			
8-3	+	125341-49030	1	DIAPHRAGM			
8-4	+	125340-51030	1	GASKET, DIAPHRAGM			
8-6	+	125338-13930	1	PIN, METERING ARM			
8-7	+	125323-42030	1	LEVER, METERING			
8-8	+	125322-42030	1	SPRING, COIL			
8-9	+	125337-06960	1	VALVE, INLET NEEDLE			
8-11	+	125345-15130	1	PLUG, WELCH			
8-21	+	125326-42030	1	STRAINER			
8-22	+	125312-12820	1	DIAPHRAGM, FUEL PUMP			
8-23	+	125325-13310	1	GASKET, PUMP			

**Index**

<b>Patrs Number</b>	<b>Key No.</b>	<b>Patrs Number</b>	<b>Key No.</b>	<b>Patrs Number</b>	<b>Key No.</b>
100000-08960	1 - 12	125310-11610	7 - 28	125334-13930	7 - 29
100000-08962	1 - 12	125310-11610	8 - 28	125334-13930	8 - 29
100000-08963	1 - 12	125312-12820	8 - 22	125337-06960	7 - 9
100011-09560	1 - 17	125312-12820	9 - 8-22	125337-06960	8 - 9
100011-09560	1 - 17	125312-12820	9 - 8-22	125337-06960	9 - 8-9
100013-11520	1 - 16	125312-42030	7 - 22	125338-13930	7 - 6
100014-08960	1 - 13	125312-49030	8 - 22	125338-13930	8 - 6
100015-04630	1 - 15	125313-42030	7 - 17	125338-13930	9 - 8-6
100015-04630	1 - 15	125313-42030	8 - 17	125339-42030	7 - 5
100100-09760	1 - 10	125314-13930	7 - 13	125339-42030	8 - 5
100100-09761	1 - 10	125314-13930	8 - 13	125340-51030	7 - 4
100100-09762	1 - 10	125316-42030	7 - 12	125340-51030	8 - 4
100100-09763	1 - 10	125316-49030	8 - 12	125340-51030	9 - 8-4
100100-09764	1 - 10	125317-13310	8 - 18	125340-51030	9 - 8-4
100105-08960	1 - 10	125317-42030	7 - 18	125341-42030	7 - 3
100105-08961	1 - 10	125317-49030	8 - 18	125341-42030	8 - 3
100113-05930	1 - 11	125318-07360	8 - 15	125341-49030	8 - 3
100204-52130	1 - 4	125318-13120	8 - 15	125341-49030	9 - 8-3
100204-52131	1 - 4	125318-42030	7 - 15	125341-49030	9 - 8-3
100204-52132	1 - 4	125319-42030	7 - 14	125342-13210	7 - 2
100212-42030	1 - 5	125319-42030	8 - 14	125342-13210	8 - 2
100212-42031	1 - 5	125320-07360	8 - 16	125342-52130	7 - 2
100215-03930	1 - 9	125320-07760	7 - 16	125342-52130	8 - 2
100215-03930	6 - 7	125320-13310	8 - 16	125344-52130	7 - 1
100242-42030	1 - 8	125322-42030	7 - 8	125344-52130	8 - 1
101003-08960	1 - 21	125322-42030	8 - 8	125345-13310	8 - 35
101010-44330	1 - 18	125322-42030	9 - 8-8	125345-15130	7 - 11
101010-44331	1 - 18	125323-42030	7 - 7	125345-15130	8 - 11
101010-44332	1 - 18	125323-42030	8 - 7	125345-15130	9 - 8-11
101011-08960	1 - 19	125323-42030	9 - 8-7	125353-07760	7 - 32
101011-08961	1 - 19	125324-11610	7 - 24	125353-20560	8 - 32
101011-09560	1 - 19	125324-11610	8 - 24	125363-11610	7 - 27
101514-05960	1 - 25	125325-13310	8 - 23	125363-11610	8 - 27
101514-08960	1 - 25	125325-13310	9 - 8-23	125372-42030	7 - 20
125200-05961	3 - 10	125325-13310	9 - 8-23	125372-42030	8 - 20
125200-05961	8 -	125325-42030	7 - 23	125376-07760	7 - 31
125200-05962	3 - 10	125325-42030	8 - 23	125376-13120	8 - 31
125200-05962	8 -	125326-42030	7 - 21	125376-49030	8 - 31
125200-05963	3 - 10	125326-42030	8 - 21	125378-13930	7 - 30
125200-05963	8 -	125326-42030	9 - 8-21	125378-13930	8 - 30
125200-05964	3 - 10	125327-13930	7 - 19	125381-08660	8 - 26
125200-05964	8 -	125327-13930	8 - 19	125381-46730	7 - 26
125200-08460	3 - 10	125327-15130	7 - 10	125381-46730	8 - 26
125200-08460	8 -	125327-15130	8 - 10	125383-13310	8 - 24
125200-08962	3 - 10	125329-08960	7 - 33	129011-09560	3 - 23
125200-08962	7 -	125329-09860	8 - 38	129011-12620	3 - 16
125300-13310	9 -	125329-39030	8 - 37	129011-52730	3 - 16
125303-13310	9 -	125333-06960	8 - 30	130010-42031	3 - 5
125306-13120	8 - 36	125334-06960	8 - 29	130010-42032	3 - 5

**Index**

<b>Patrs Number</b>	<b>Key No.</b>	<b>Patrs Number</b>	<b>Key No.</b>	<b>Patrs Number</b>	<b>Key No.</b>
130016-42031	3 - 9	156801-44730	2 - 23	351217-05960	5 - 21
130016-42031	3 - 9	156801-44731	2 - 23	351217-07360	5 - 34
130017-42031	3 - 7	159010-10230	2 - 28	351228-01260	5 - 19
130307-06561	3 - 14	159011-03432	2 - 29	351241-01260	5 - 20
130307-09662	3 - 14	159012-01620	2 - 30	351242-01261	5 - 22
130310-51830	3 - 18	159017-10230	2 - 28	351243-01260	5 - 18
130310-54130	3 - 18	159017-13930	2 - 28	433022-06460	5 - 15
130313-06560	3 - 19	162010-52830	2 - 27	433022-06460	6 - 22
130313-06561	3 - 19	162021-52130	2 - 27	610223-05960	2 - 47
130313-06563	3 - 19	163400-05960	5 - 5	610302-01260	6 - 12
130313-09561	3 - 19	175000-02961	2 - 42	610302-08961	6 - 12
130422-09660	3 - 16	175000-02962	2 - 42	610302-09661	6 - 12
131002-08960	4 - 10	175003-01261	6 - 5	610307-01260	6 - 13
131002-08961	4 - 10	175005-01260	6 - 5	610307-01261	6 - 13
131004-06560	4 - 17	175005-08960	6 - 5	610327-01260	6 - 14
131004-08960	4 - 17	175009-05131	2 - 44	610327-01261	6 - 14
131004-48730	4 - 17	175014-05360	2 - 40	610407-08562	6 - 6
131004-55730	4 - 17	175016-07330	2 - 45	610407-08961	6 - 6
131016-40930	4 - 18	175018-05130	2 - 43	610410-05960	6 - 6
131016-55830	4 - 18	175018-05960	2 - 43	610411-05960	6 - 34
131051-52430	4 - 20	175019-04920	2 - 41	610414-01260	6 - 31
131205-07320	4 - 15	177200-05962	2 - 7	610420-08560	6 - 6
131205-50430	4 - 15	177202-07360	2 - 18	610426-01260	6 - 32
131300-40630	4 - 5	177202-07361	2 - 18	610431-08960	6 - 34
131300-40630	4 - 5	177215-05960	2 - 10	610431-08961	6 - 34
131300-56430	4 - 5	177218-44330	2 - 19	610434-50030	6 - 35
131920-28230	2 - 46	177220-42030	2 - 9	610438-01260	5 - 25
132010-02160	4 - 12	177226-05960	2 - 13	610440-01260	6 - 19
132010-06460	4 - 11	177227-42030	2 - 14	610440-08960	6 - 19
132010-21160	4 - 6	177228-06530	2 - 15	610441-02060	6 - 20
132115-01461	4 - 7	177234-05960	2 - 20	610441-08960	6 - 20
132115-44330	4 - 13	177236-44330	2 - 12	697010-08960	6 - 24
132717-06460	4 - 11	178001-05960	5 - 27	697010-09760	6 - 24
145510-42031	3 - 30	178010-05960	5 - 8	697011-08960	6 - 25
145802-05960	3 - 28	178012-05960	5 - 7	697011-09760	6 - 25
145802-08960	3 - 28	178013-35631	5 - 6	699105-08960	6 - 23
145863-06960	3 - 34	178121-10050	5 - 32	699111-08960	6 - 43
145863-08960	3 - 34	178127-05960	5 - 28	699115-02062	6 - 28
145866-42031	3 - 32	210417-09560	3 - 20	699115-02062	6 - 28
145871-44331	3 - 29	210417-52730	3 - 20	699115-08960	6 - 41
145871-52130	3 - 29	351012-07360	5 - 14	699118-01261	6 - 27
145876-42030	3 - 33	351012-07361	5 - 14	699118-04560	6 - 27
156110-04920	2 - 31	351027-02060	6 - 30	699213-02062	6 - 29
156601-44730	2 - 25	351102-47530	5 - 9	699213-02063	6 - 29
156601-44731	2 - 25	351200-07360	5 - 13	699213-08960	6 - 42
156601-52130	2 - 25	351200-07361	5 - 13	699511-06560	6 - 45
156626-52730	2 - 25	351200-07362	5 - 13	880110-10860	6 - 4
156801-09660	2 - 23	351205-08960	5 - 26	890115-08961	2 - 6
156801-12360	2 - 23	351205-08961	5 - 26	890115-08962	2 - 6



**Index**

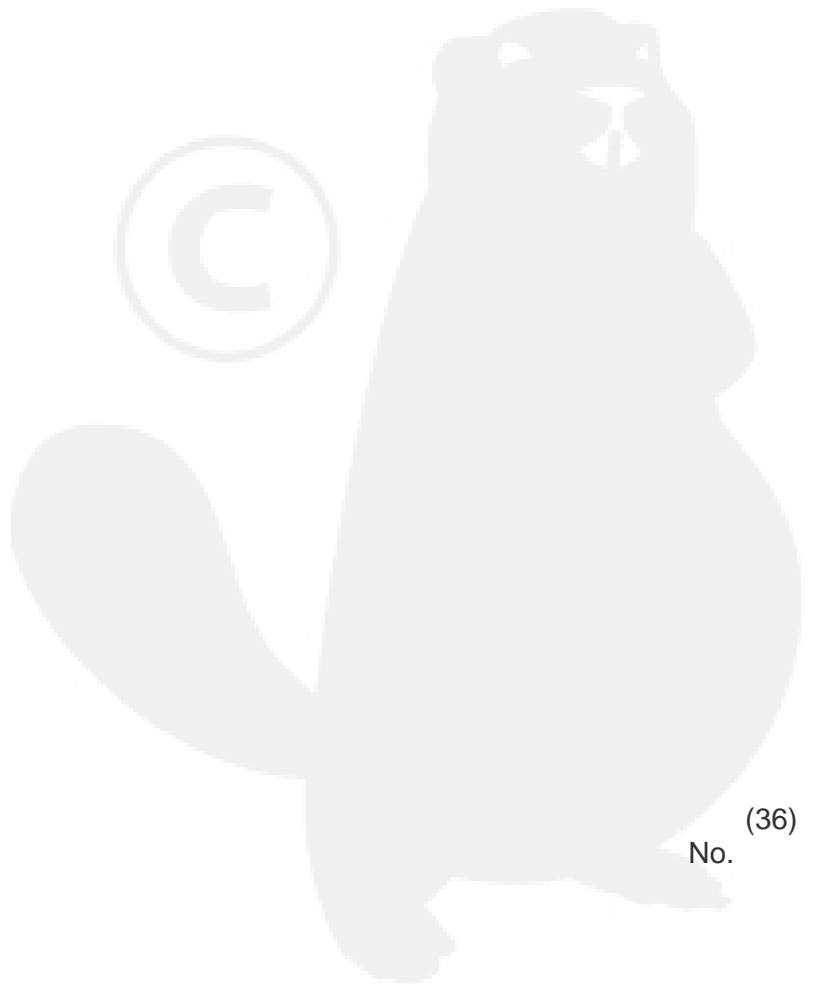
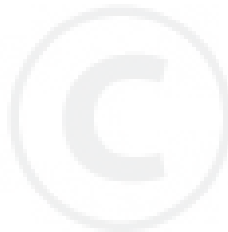
<b>Patrs Number</b>	<b>Key No.</b>	<b>Patrs Number</b>	<b>Key No.</b>	<b>Patrs Number</b>	<b>Key No.</b>
890121-05360	3 - 21	900600-00006	5 - 30		
890121-06360	3 - 21	900600-00006	6 - 17		
890121-09560	3 - 21	900600-00006	6 - 47		
890157-06560	5 - 33	900600-00008	2 - 17		
890157-39130	5 - 33	900603-00005	4 - 9		
890310-08960	2 - 32	900603-00006	5 - 16		
890617-07660	2 - 32	900603-00006	6 - 48		
890617-12620	2 - 32	900605-00006	6 - 16		
895112-00330	6 - 38	900605-00006	6 - 46		
895410-00430	6 - 37	900701-00016	6 - 10		
898510-39130	6 - 49	900701-00016	6 - 10		
898523-08960	6 - 39	900701-00019	6 - 10		
900100-06010	6 - 44	900702-00035	6 - 9		
900105-05055	3 - 36	900702-00037	6 - 9		
900105-05060	5 - 23	900802-06003	6 - 8		
900162-04016	2 - 5	900802-06003	6 - 26		
900162-04016	2 - 48	900802-06003	6 - 26		
900162-04022	1 - 26	900810-06200	6 - 11		
900162-04022	2 - 24	900810-36201	1 - 7		
900162-05014	6 - 21	900855-06904	6 - 26		
900162-05022	1 - 20	900857-06904	6 - 8		
900162-05028	1 - 6	94035-36201	1 - 7		
900162-05030	6 - 18	A259-000030	8 - 37		
900163-04016	2 - 5	A320-000250	3 - 29		
900163-04016	2 - 48	A320-000251	3 - 29		
900220-05030	5 - 11	A356-000030	4 - 5		
900238-04016	2 - 5	A356-000030	4 - 5		
900238-04022	1 - 26	A409-000000	2 - 23		
900238-05010	5 - 31	A440-000320	5 - 5		
900238-05016	4 - 8	P005-000590	8 - 24		
900238-05016	5 - 24	P021-008380	3 - 28		
900238-05020	3 - 8	P022-007980	2 - 20		
900242-04010	3 - 35	V103-000111	3 - 9		
900242-04014	6 - 33	V104-000003	3 - 32		
900242-04022	6 - 36	V104-000160	3 - 30		
900242-05016	5 - 24	V471-001180	4 - 6		
900242-05057	3 - 17	V475-001900	2 - 33		
900242-05065	3 - 17	X411-000100	6 - 25		
900243-05016	4 - 8	X411-000150	6 - 24		
900246-03025	5 - 12	X411-000470	6 - 24		
900253-05014	5 - 35	X411-000480	6 - 25		
900500-00005	3 - 6	X425-000050	6 - 23		
900500-00005	5 - 10	X425-000051	6 - 23		
900500-00006	6 - 15	X425-000290	6 - 23		
900502-00006	5 - 29	X502-000280	6 - 50		
900512-00008	2 - 16				
900528-00005	3 - 20				
900560-00005	5 - 17				
900600-00005	3 - 37				



# YAMABIKO CORPORATION

7-2 SUEHIROCHO 1-CHOME, OHME, TOKYO 198-8760, JAPAN  
PHONE: 81-428-32-6118. FAX: 81-428-32-6145.

**ECHO**<sup>®</sup>



(36)  
No.