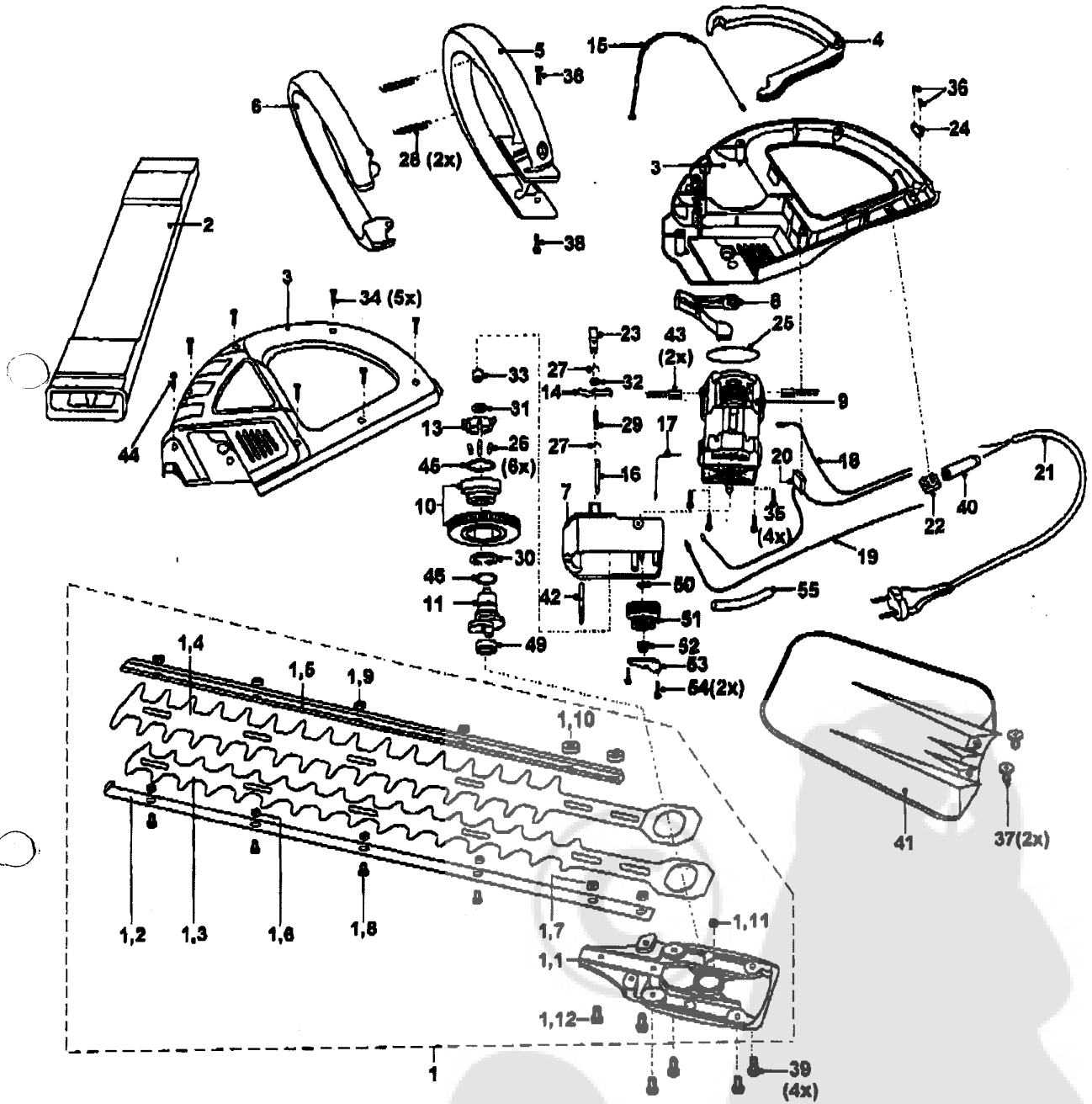


# Primo H5 600 / 700 Profi



DRWG No: A

**HS 600 / 700 PROF1  
PARTS LIST**

|    | PART DESCRIPTION                 | PART NUMBER |
|----|----------------------------------|-------------|
| 1  | Shear Systeme HS Primo 600 Profi | 45490860    |
| 1  | Shear Systeme HS Primo 700 Profi | 45490861    |
| 2  | Quiver                           | 45490064    |
| 3  | Housing Cup ralle                | *4549.....  |
| 4  | <del>Gib</del> Grip.             | 45490060    |
| 5  | Handle                           | 45490061    |
| 6  | Gear - Shift Lever               | 45490062    |
| 7  | Gear Housing with Pin            | 45690867    |
| 8  | Gear Element                     | 45490063    |
| 9  | Frame - Motor AM6                | 45690156    |
| 10 | Overload Fuse                    | 45491801    |
| 11 | Eccentric Shaft                  | 45690858    |
| 13 | Clutch - Cage                    | 45690433    |
| 14 | Gear Rocker                      | 45490148    |
| 15 | Bowden Control                   | 45490428    |
| 16 | Clutch - Bolt (Pin)              | 45490425    |
| 17 | Strand 120                       | 45490150    |
| 18 | Strand 240                       | 45490146    |
| 19 | Strand 300                       | 45490147    |
| 20 | Condenser 0,22                   | 45490143    |
| 21 | Cable with Plug 2 x 1 x 420      | 45190102    |
| 22 | Binding Screw                    | 45490144    |
| 23 | Quick - Break Switch             | 45490142    |
| 24 | Tension Relief                   | 45190013    |
| 25 | O - Ring 56 x 3 NBR 70           | 45490065    |
| 26 | Cylinder Needle Roll 4 x 10      | 45490239    |
| 27 | Wave Safety Device Ring A5       | 45490233    |
| 28 | DR - Spring 0,6 x 8 x 60 x 22ig  | 45690253    |
| 29 | DR - Spring 0,8 x 7 x 22 x 9ig   | 45490238    |
| 30 | Wave Safety Device Ring A25      | 45190217    |
| 31 | Retaining Ring A12               | 45690248    |
| 32 | Washer 5,5 x 10 x 1              | 45490235    |
| 33 | Needle Sleeve HK 0808            | 45690243    |
| 34 | PL - Screw 4 x 20 - LK - TX20    | 45190204    |
| 35 | PL - Screw 4 x 16 - LK - TX20    | 45490232    |
| 36 | PL - Screw 3,5 x 12 - LK - TX15  | 45190228    |
| 37 | SP - Screw 6 x 12 - LK - TX30    | 45190209    |
| 38 | SP - Screw 6 x 16 - LK - TX30    | 45190210    |
| 39 | SP - Screw 5 x 16 - LK - TX25    | 45490241    |
| 40 | Buckling Grommet                 | 45190010    |
| 41 | Hand Guard                       | 45190011    |
| 42 | Sealing Felt                     | 45490240    |
| 43 | Carbon Brush                     | 45190128    |
| 44 | PL - Screw 4 x 25 - LK - TX20    | 45190205    |
| 45 | O - Ring 26 x 1,5 FPM            | 45490069    |

|      |   |          |
|------|---|----------|
| 46   | O - Ring 13 x 3 FPM                                     | 45490070 |
| 49   | Rolling Bearing 607ZZR                                  | 45690260 |
| 50   | Fitting Washer  | 45690249 |
| 51   | Gear Sprocket   | 45690868 |
| 52   | Intermediate Sleeve                                     | 45690852 |
| 53   | Bearing Sheet   | 45690438 |
| 54   | SP - Screw 4 x 12 - SK - TX20                           | 45690256 |
| 55   | Silcon Hose 5 x 1,5 x 60                                | 45490068 |
|      |   |          |
|      |   |          |
|      | <u>* by ordering the Housing please note the colour</u> |          |
|      |   |          |
| 1    | Shear Systeme HS Primo 600 Profi                        | 45490860 |
| 1,1  | Basic Plate   | 45690432 |
| 1,2  | Under Blade 600   | 45690863 |
| 1,3  | Shear Knife 600   | 45690859 |
| 1,4  | Shear Comb 600  | 45690861 |
| 1,5  | Knife Girder 600  | 45490813 |
| 1,6  | Distance Ring 7 x 4,35                                  | 45690854 |
| 1,7  | Distance Ring 10 x 4,35                                 | 45690853 |
| 1,8  | 6kt Screw M4 x 12                                       | 45190216 |
| 1,9  | Nut M4  | 45690267 |
| 1,10 | Nut M6  | 45690268 |
| 1,11 | Rubber Stopper  | 45490856 |
| 1,12 | Screw 6 x 18 - LK - PH                                  | 45490252 |
|      |   |          |
|      |   |          |
|      |   |          |
| 1    | Shear Systeme HS Primo 700 Profi                        | 45490861 |
| 1,1  | Basic Plate   | 45690432 |
| 1,2  | Blade Bent Profi 700                                    | 45490812 |
| 1,3  | Shear Knife 700   | 45490814 |
| 1,4  | Shear Comb  | 45490815 |
| 1,5  | Knife Girder HS 4                                       | 45490811 |
| 1,6  | Distance Ring 7 x 4,35                                  | 45690854 |
| 1,7  | Distance Ring 10 x 4,35                                 | 45690853 |
| 1,8  | 6kt Screw M4 x 12                                       | 45190216 |
| 1,9  | Nut M4  | 45690267 |
| 1,10 | Nut M6  | 45690268 |
| 1,11 | Rubber Stopper  | 45490856 |
| 1,12 | Screw 6 x 18 - LK - PH                                  | 45490252 |
|      |   |          |
|      |   |          |
|      |   |          |