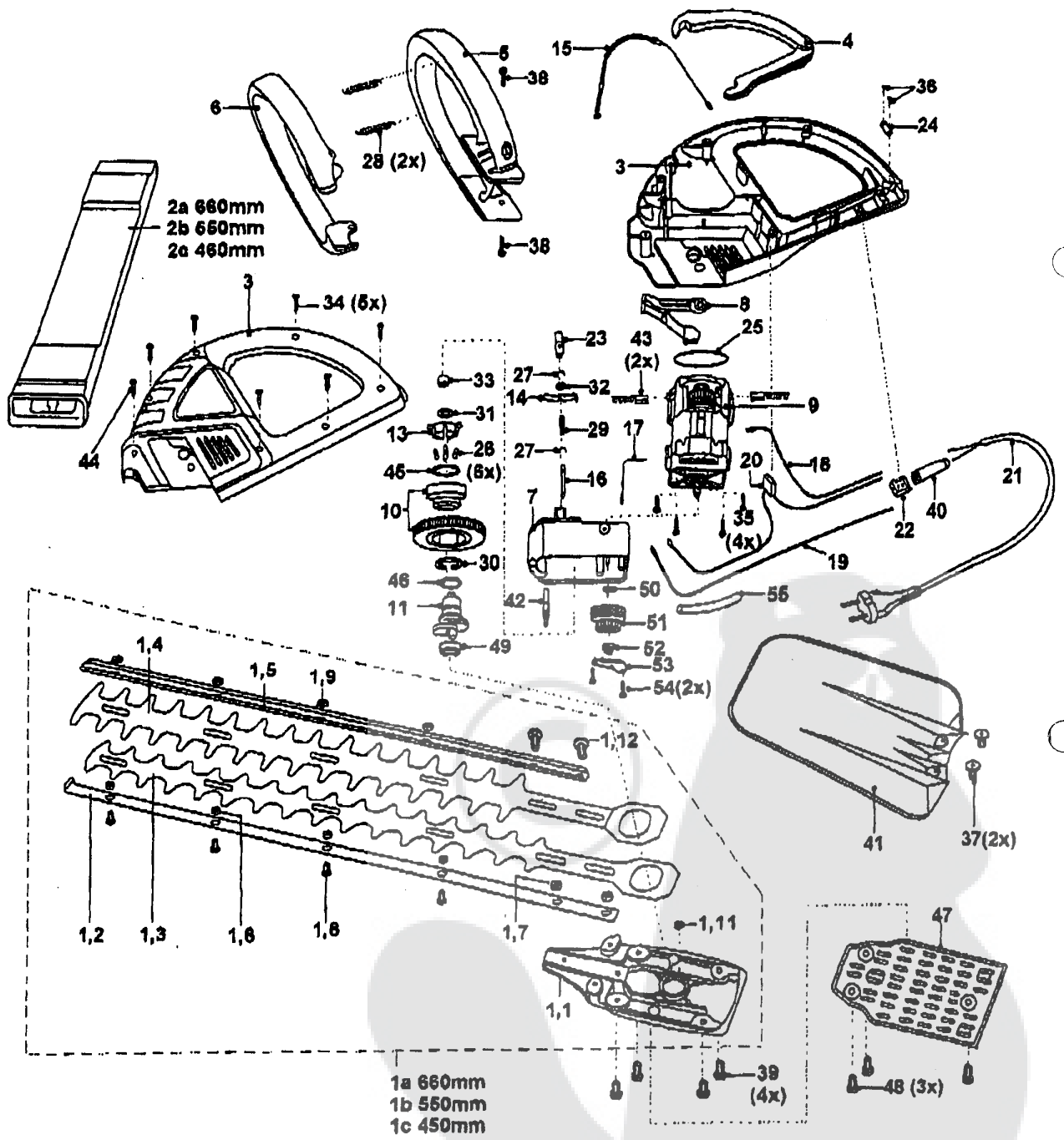


# HC460/550/560/660 Profi



**HC 550 (HS 500 SQ4) → G5c**  
**PARTS LIST**

	PART DESCRIPTION	PART NUMBER
1c	Shear Systeme 460 Sharply Cut incl. 37	45490818
1b	Shear Systeme 550 Sharply Cut incl. 37	45490819
1a	Shear Systeme 660 Sharply Cut incl. 37	45490807
2c	Quiver 460	45190821
2b	Quiver 550	45190022
2a	Quiver 660	45490064
3	Housing Cup ra / la	*4549.....
4	Gib	45490060
5	Handle	4549061
6	Gear Shift Lever	45490062
7	Gear Housing with Pin	45690867
8	Gear Element	45490063
9	Frame Motor AM6	45690151
10	Overload Fuse	45491801
11	Ecentric Shaft incl. 49	45490850
13	Clutch Cage	45690433
14	Gear Rocker	45490148
15	Bowden Control	45490428
16	Clutch - Bolt (Pin)	45490425
17	Strand 120	45490150
18	Strand 240	45490146
19	Strand 300	45490147
20	Condenser	45490143
21	Cable with Plug 2 x 1 x 420	45190102
22	Binding Screw	45490144
23	Quick - Break Switch	45490142
24	Tension Relief	45190013
25	O - Ring 56 x 3, NBR 70	45490065
26	Cylinder Needle Roll 4 x 10	45490239
27	Wave Safety Device Ring A5	45490233
28	DR - Spring 0,6 x 60 x 22ig	45690253
29	DR - Spring 0,6 x 7 x 22 x 9ig	45490238
30	Wave Safety Device Ring A25	45190217
31	Fitting Washer 9 x 15 x 1	45490235
32	Washer 5,5 x 10 x 1	45490235
33	Needle Sleeve HK 0808	45690243
34	PL - Screw 4 x 20 - LK - TX20	45190204
35	PL - Screw 4 x 16 - LK - TX20	45490232
36	PL - Screw 3,5 x 12 - LK - TX15	45190228
37	SP - Screw 6 x 12 - LK - TX30	45190209
38	SP - Screw 6 x 16 - LK - TX30	45190210
39	SP - Screw 5 x 16 - LK - TX25	45490241
40	Buckling Grommet	45190010
41	Hand Guard	45190011
42	Sealing Felt	45490240

43	Carbon Brush	45190128
44	PL - Screw 4 x 25 - LK - TX20	45190205
45	O - Ring 26 x 1,5 FPM	45490069
46	O - Ring 13 x 3 FPM	45490070
47	ISO - Plate	12190074
48	SP - Screw 4 x 6 - SK - TX15	45490243
49	Rolling Bearing 607	45690260
50	Fitting Washer 6 x 12 x 0,5	45690249
51	Gear Sprocket	45690868
52	Intermediate Sleeve	45690852
53	Bearing Sheet	45690438
54	SP - Screw 4 x 12 - SK - TX20	45690256
55	Silicon Hose 5 x 1,5 x 60	45490068
	<u>By ordering the Housing please note the colour</u>	
1c	Shear Systeme 460 Sharply Cut	45490818
1,1	Basic Plate	45490431
1,2	Blade Bent 460	45490887
1,3	Shear Knife 460	45490887
1,4	Shear Comb 460	45490890
1,5	Knife Girder 460	45490817
1,6	Distance Ring 8 x 4,1	45190407
1,7	Distance Ring 10 x 4,1	45190405
1,8	6kt Screw M4 x 12	45190216
1,9	Nut M4	45690267
1,11	Rubber Stopper	45490856
1,12	SP - Screw 6 x 18 - LK - TX30	45190242
1b	Shear Systeme 550 Sharply Cut	45490819
1,1	Basic Plate	45490431
1,2	Blade, Bent 550	45190457
1,3	Shear Knife 550	45490888
1,4	Shear Comb 550	45490891
1,5	Knife Girder 550	45490816
1,6	Distance Ring 8 x 4,1	45190407
1,7	Distance Ring 10 x 4,1	45190405
1,8	6kt. Screw M4 x 12	45190216
1,9	Nut M4	45690267
1,11	Rubber Stopper	45490856
1,12	SP - Screw 6 x 18 - LK - TX30	45190242
1a	Shear Systeme 660 Sharply Cut	45490807
1,1	Basic Plate	45490431
1,2	Blade, Bent 660	45901266
1,3	Shear Knife 660	45490889