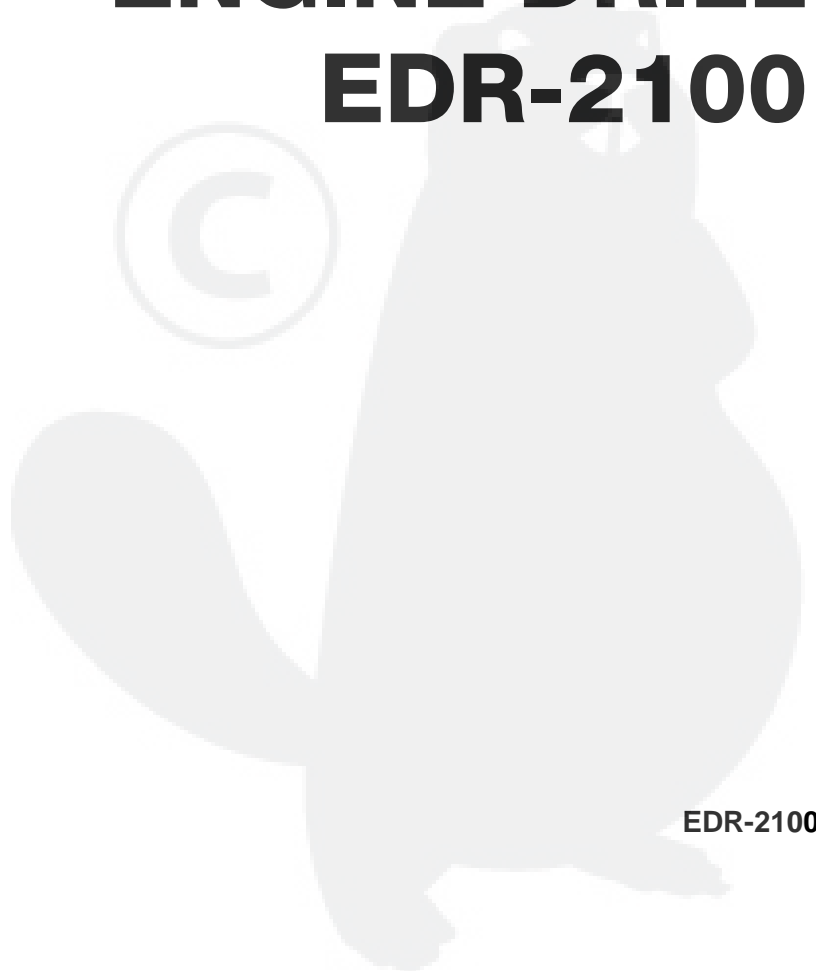




# **PARTS CATALOG**

**ENGINE DRILL**

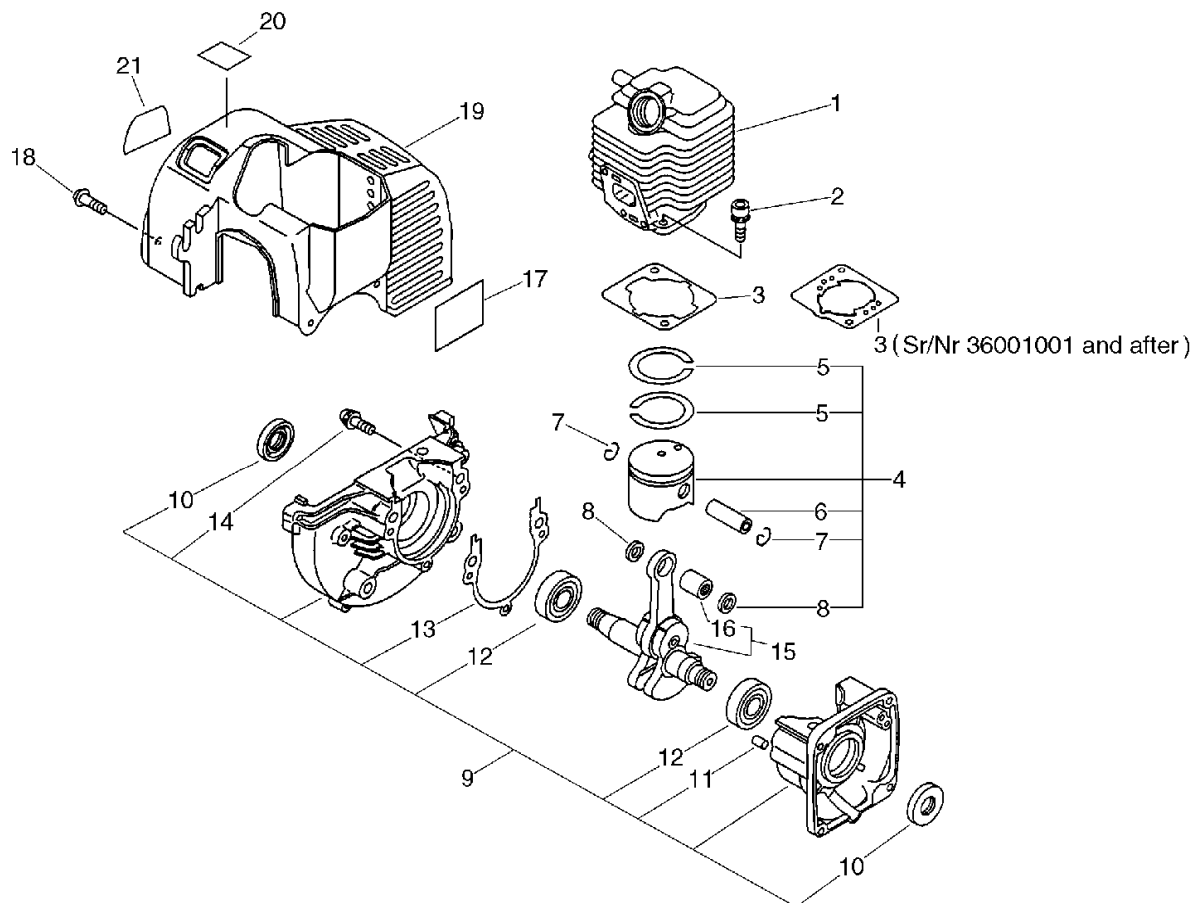
**EDR-2100**



EDR-2100

# 1. Cylinder, Crankcase, Piston

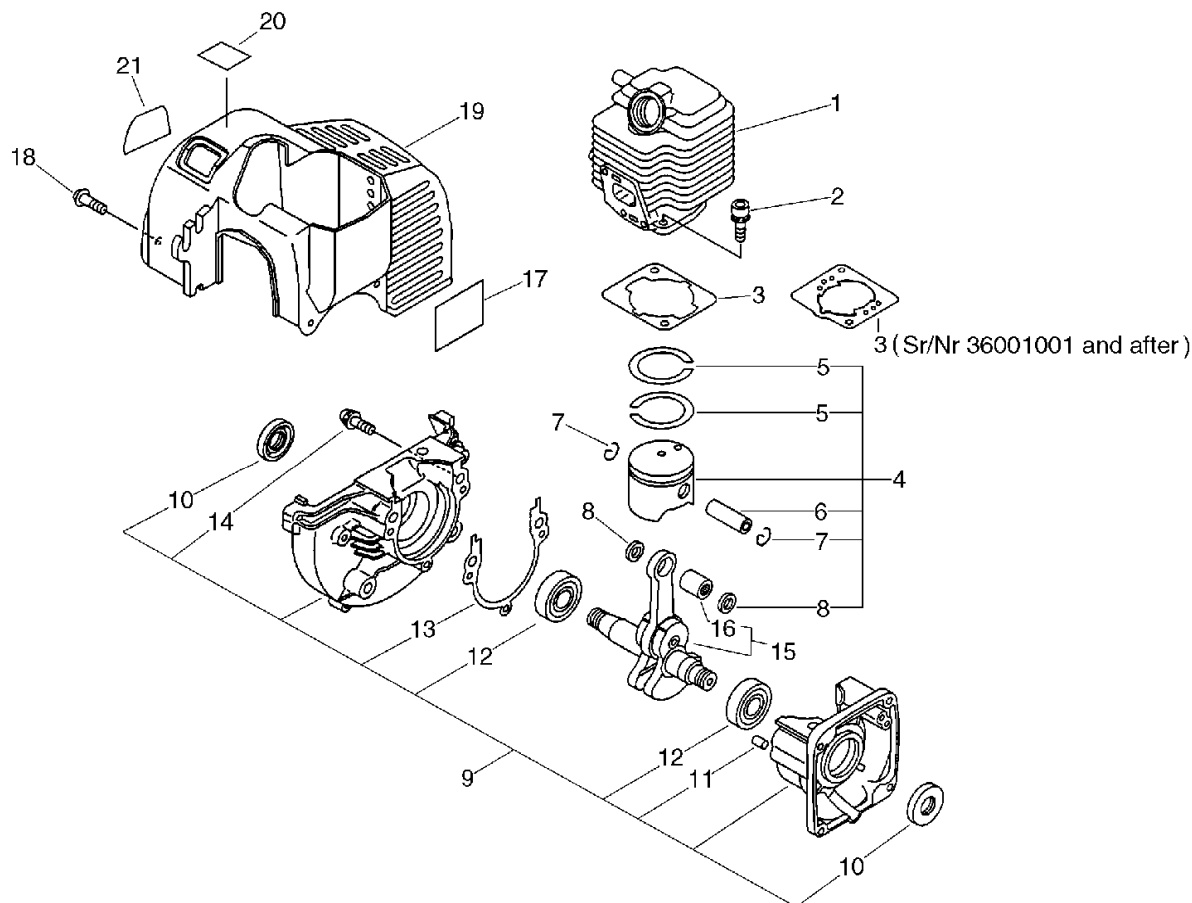
## No.1



KEY	LV	PART NUMBER	Q'TY	DESCRIPTION	REMARKS	NOTE1	NOTE2
1		101011-06562	1	CYLINDER		Sr/Nr 009086 and before	
1		A130-000430	1	CYLINDER		Sr/Nr 36001001 and after	
2		900162-05022	2	BOLT, H.S. 5*22	5*22 W,SW		
3		101010-44332	1	GASKET, CYL. BASE		Sr/Nr 009086 and before	
3		V100-000080	1	GASKET,CYL		Sr/Nr 36001001 and after	
4		100000-48732	1	PISTON KIT		Sr/Nr 009086 and before	
4		P021-001101	1	PISTON KIT		Sus. by P021-001102	
4		P021-001102	1	PISTON KIT		Sr/Nr 36001001 and after	
5	+	100011-05330	2	RING, PISTON		Sr/Nr 009086 and before	
5	+	A101-000000	2	RING,PISTON		Sr/Nr 36001001 and after	
6	+	100013-11520	1	PIN, PISTON			
7	+	100015-04630	2	CIRCLIP, PISTON PIN			
8	+	100014-11520	2	SPACER, PISTON PIN			
9		100204-52130	1	CRANKCASE KIT		Sus. by 100204-52132	
9		100204-52131	1	CRANKCASE KIT		Sus. by 100204-52132	

# 1. Cylinder, Crankcase, Piston

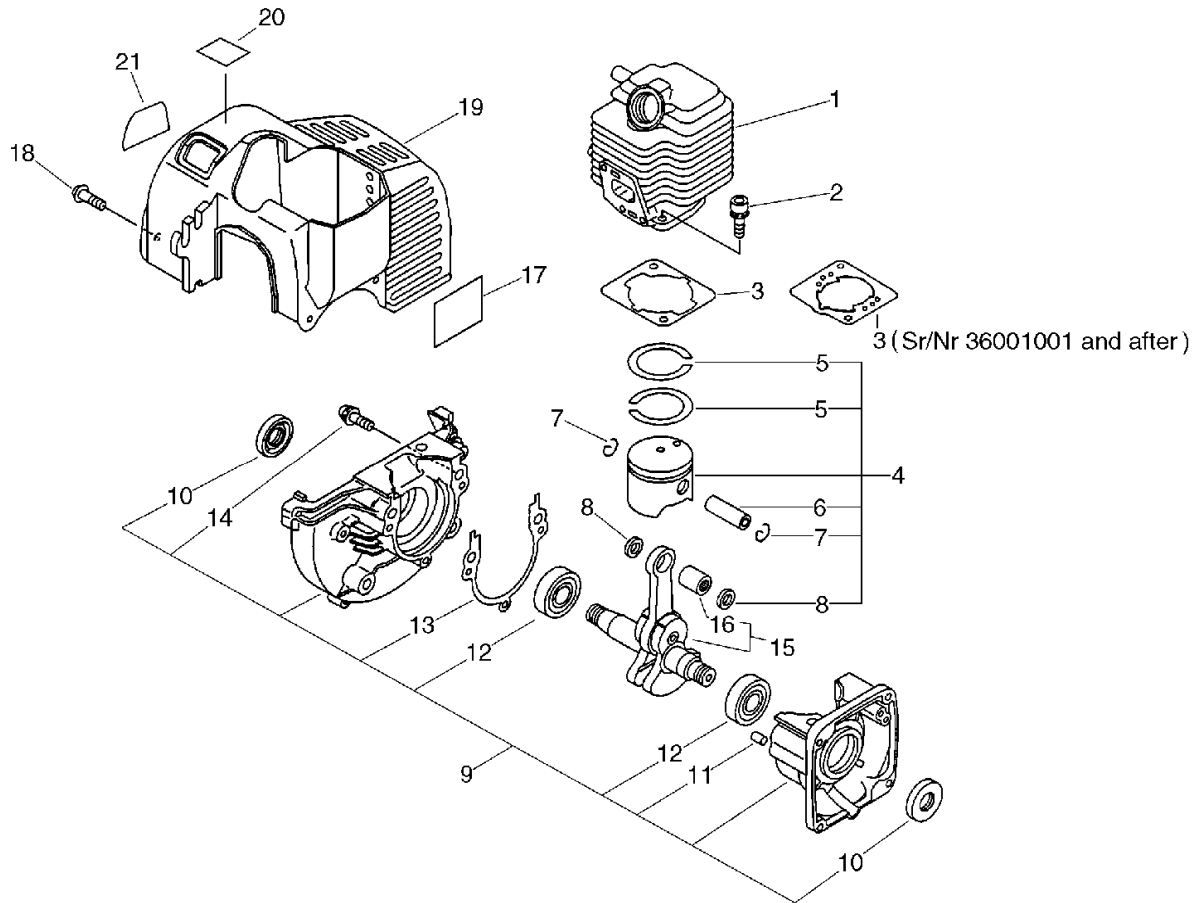
## No.1



KEY	LV	PART NUMBER	Q'TY	DESCRIPTION	REMARKS	NOTE1	NOTE2
9		100204-52132	1	CRANKCASE KIT			
10	+	100212-42030	2	OILSEAL	ISCD12*22*4.5	Sus. by 100212-42031	
10	+	100212-42031	2	OILSEAL	ISCD 12*22*4.5		
11	+	100215-03930	2	PIN, DOWEL			
12	+	900810-36201	2	BEARING, BALL 6201	6201/C3	Sus. by 94035-36201	
12	+	94035-36201	2	BEARING BALL	6201X3JR2C3		
13	+	100242-42030	1	GASKET, CRANKCASE			
14	+	900162-05028	3	BOLT, H.S. 5*28	5*28 W,SW		
15		100100-44732	1	CRANKSHAFT ASSY		Sus. by A011-000101	
15		100100-44733	1	CRANKSHAFT		Sus. by A011-000101	
15		A011-000101	1	CRANKSHAFT,ASM			
16	+	100012-51230	1	BEARING, NEEDLE	8*12*10	Sus. by V553-000010	
16	+	V553-000030	1	BEARING,NEEDLE 8		Sus. by V553-000010	
16	+	V553-000010	1	BEARING,NEEDLE 8	HK0810		
17		890310-20960	1	LABEL, MODEL			
18		900242-04012	2	SCREW 4*12	4*12		
19		101514-05561	1	COVER, CYLINDER		Sr/Nr 009086 and before	

# 1. Cylinder, Crankcase, Piston

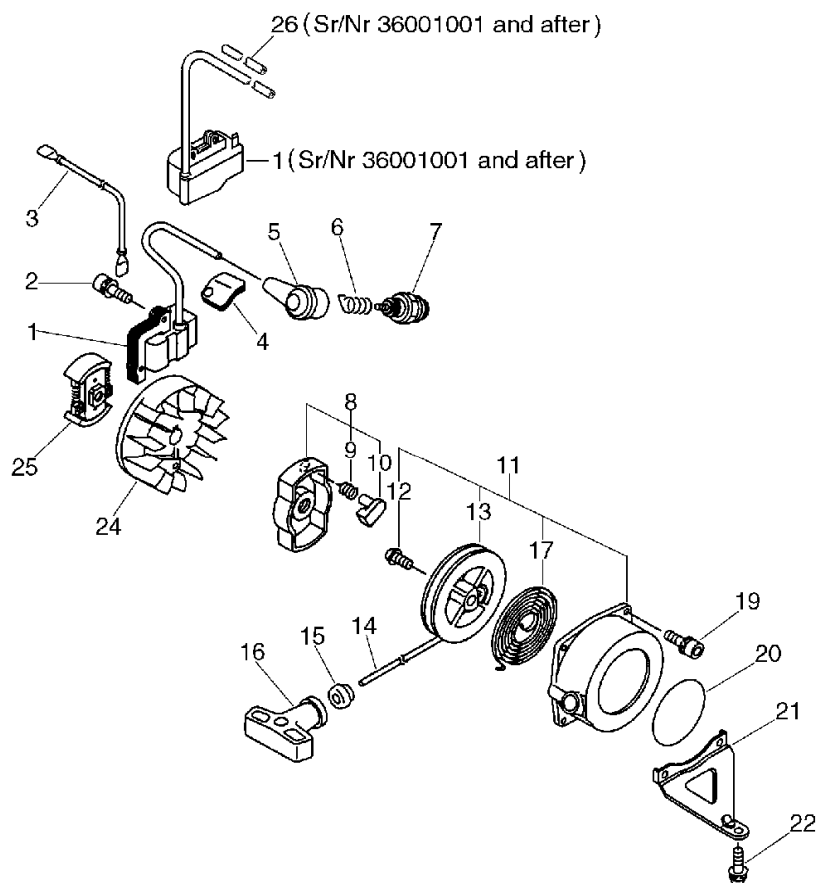
## No.1



KEY	LV	PART NUMBER	Q'TY	DESCRIPTION	REMARKS	NOTE1	NOTE2
19		101514-24360	1	COVER, CYLINDER		Sr/Nr 36001001 and after	
20		890160-20960	1	LABEL, CAUTION		Sus. by 890160- 20960	
20		890160-20960	1	LABEL, CAUTION			
21		X547-000190	1	LABEL,ECHO	EDR-2100	Sr/Nr 36001566 and after	

## 2. Starter, Magneto, Clutch

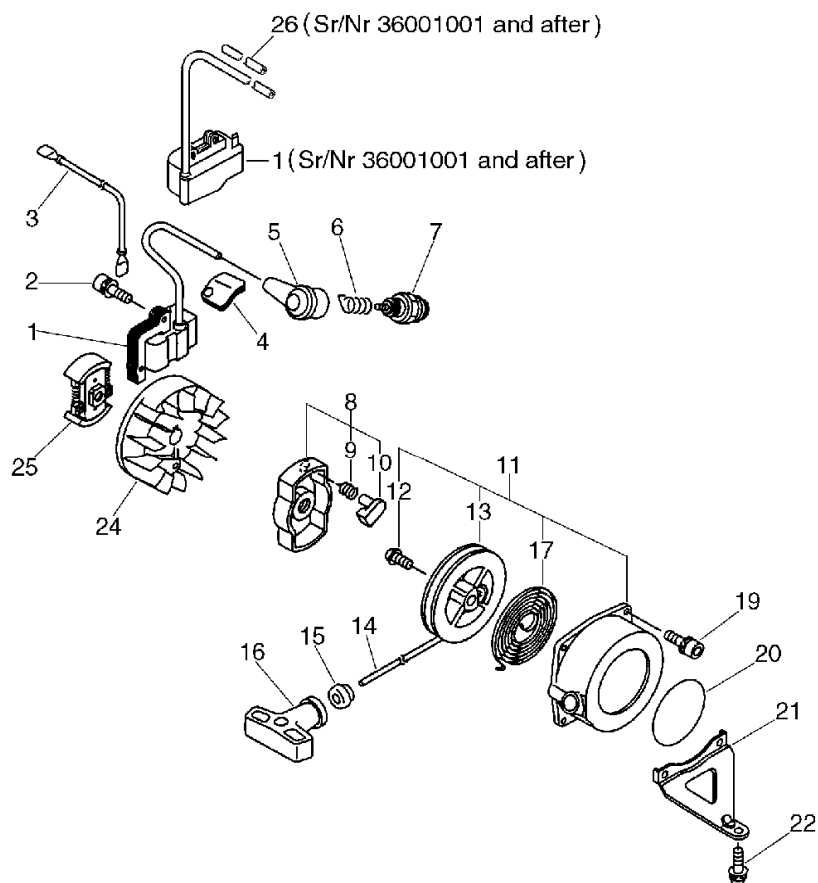
### No.2



KEY	LV	PART NUMBER	Q'TY	DESCRIPTION	REMARKS	NOTE1	NOTE2
1		156601-52130	1	COIL, IGNITION		Sr/Nr 009086 and before	
1		A411-000130	1	COIL,IGNITION		Sr/Nr 36001001 and after	
2		900162-04022	2	BOLT, H.S. 4*22	4*22 W,SW	Sr/Nr 009086 and before	
2		900162-04020	2	BOLT, H.S. 4*20	4*20 W,SW	Sr/Nr 36001001 and after	
3		162010-52830	1	LEAD, GROUND		Sr/Nr 009086 and before	
3		V485-000290	1	LEAD		Sr/Nr 36001001 and after	
4		150112-42030	1	BUSHING			
5		159012-01620	1	CAP, SPARK PLUG			
6		159011-03432	1	COIL, SPARK PLUG			
7		159017-12330	1	PLUG, SPARK (RCJ-8Y)	RCJ-8Y		
7		A425-000000	1	SPARKPLUG	BPMR8Y		
8		177202-44330	1	PAWL ASSY, STARTER		Sus. by 177202-44331	
8		177202-44331	1	PAWL ASM., STARTER			
9	+	177234-42030	1	SPRING, RETURN		Sus. by 177234-12220	
9	+	177234-12220	1	SPRING, PAWL			
10	+	177218-44330	1	PAWL, STARTER	BLACK		
11		177200-42033	1	STARTER ASSY			
12	+	177236-44330	1	SCREW			

## 2. Starter, Magneto, Clutch

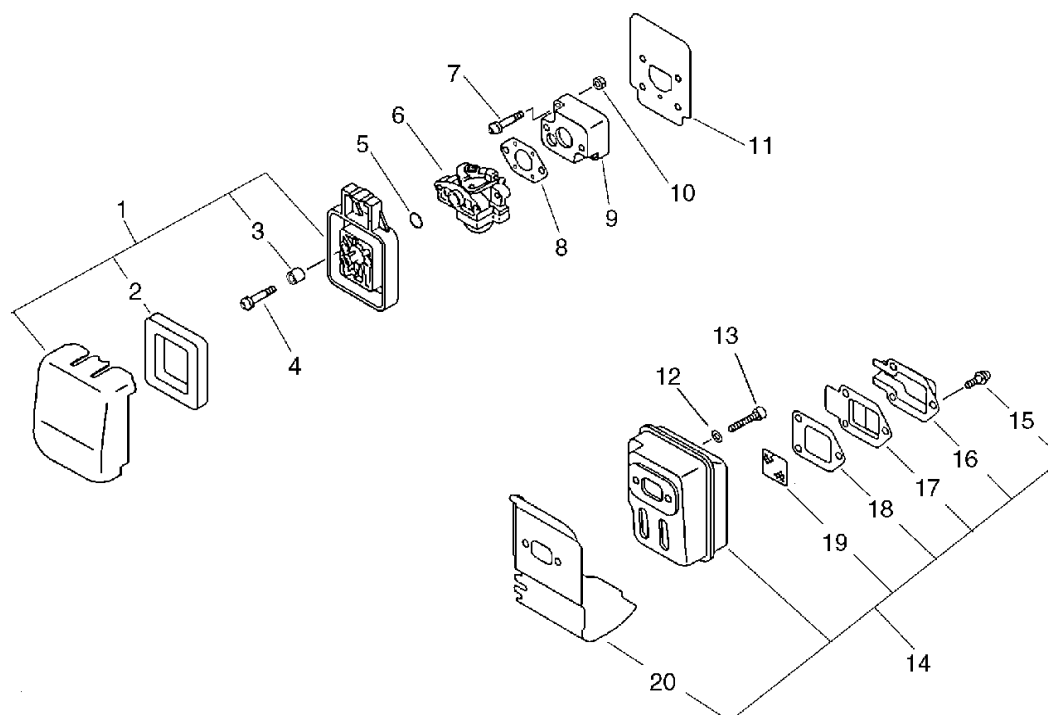
No.2



KEY	LV	PART NUMBER	Q'TY	DESCRIPTION	REMARKS	NOTE1	NOTE2
13	+	177215-44430	1	DRUM, STARTER			
14	+	177226-10120	1	ROPE, STARTER	3.0*1000		
15	+	177227-42030	1	GUIDE, ROPE			
16	+	177228-06530	1	GRIP, STARTER			
17	+	177220-42030	1	SPRING, REWIND			
19		900162-04016	4	BOLT, H.S. 4*16	4*16 W,SW		
20		890118-44330	1	LABEL, ECHO		Sus. by 890118-49130	
20		890118-49130	1	LABEL, ECHO			
21		351011-05560	1	SUPPORTER, F. HANDLE			
22		900242-05016	1	SCREW 5*16	5*16		
24		156801-44731	1	FLYWHEEL			
24		156801-12360	1	ROTOR, MAGNETO		Sus. by 156801-44731	
24		156801-44731	1	FLYWHEEL		Sr/Nr 009086 and before	
24		A409-000160	1	ROTOR, MAGNETO		Sr/Nr 36001001 and after	
25		175000-52130	1	CLUTCH ASSY			
25		156110-54930	1	TUBE	7*8.6*18.5	Sr/Nr 36001001 and after	

### 3. Air Cleaner, Muffler

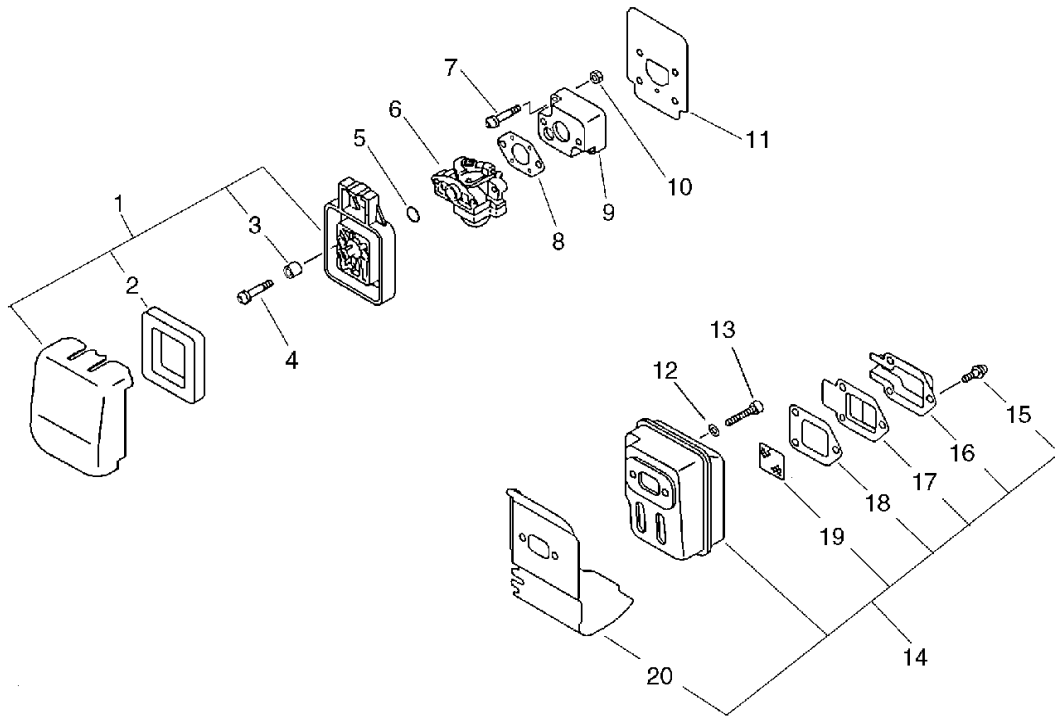
No.3



KEY	LV	PART NUMBER	Q'TY	DESCRIPTION	REMARKS	NOTE1	NOTE2
1		130300-45130	1	CLEANER ASSY, AIR			
2	+	130310-44330	1	FILTER, AIR			
3	+	130327-44330	2	SLEEVE			
4		900242-05064	2	SCREW 5*64	5*64		
5		900720-00015	1	O-RING 15	P-15		
6		123000-05560	1	CARBURETOR WYL-23	WYL-23	Sr/Nr 009086 and before	
6		A021-000541	1	CARBURETOR,DIAPHRAGM	WYL-180A	Sr/Nr 36001001 and after	
7		900242-05020	2	SCREW 5*20	5*20		
8		130010-44431	1	GASKET, INTAKE			
9		130017-44330	1	INSULATOR			
10		900500-00005	2	NUT 5	5		
11		130010-42032	1	GASKET,INTAKE			
12		900600-00005	2	WASHER 5	5		
13		900105-05055	2	BOLT, H.S. 5*55	5*55		
14		145800-05560	1	MUFFLER ASSY		Sus. by P021-000880	
14		P021-000880	1	MUFFLER ASY		Sr/Nr 009086 and before	
14		P021-000583	1	MUFFLER ASY		Sr/Nr 36001001 and after	
15	+	900242-04010	3	SCREW 4*10	4*10		
16	+	145863-42030	1	HOLDER, SCREEN		Sr/Nr 005737 and before	

### 3. Air Cleaner, Muffler

No.3

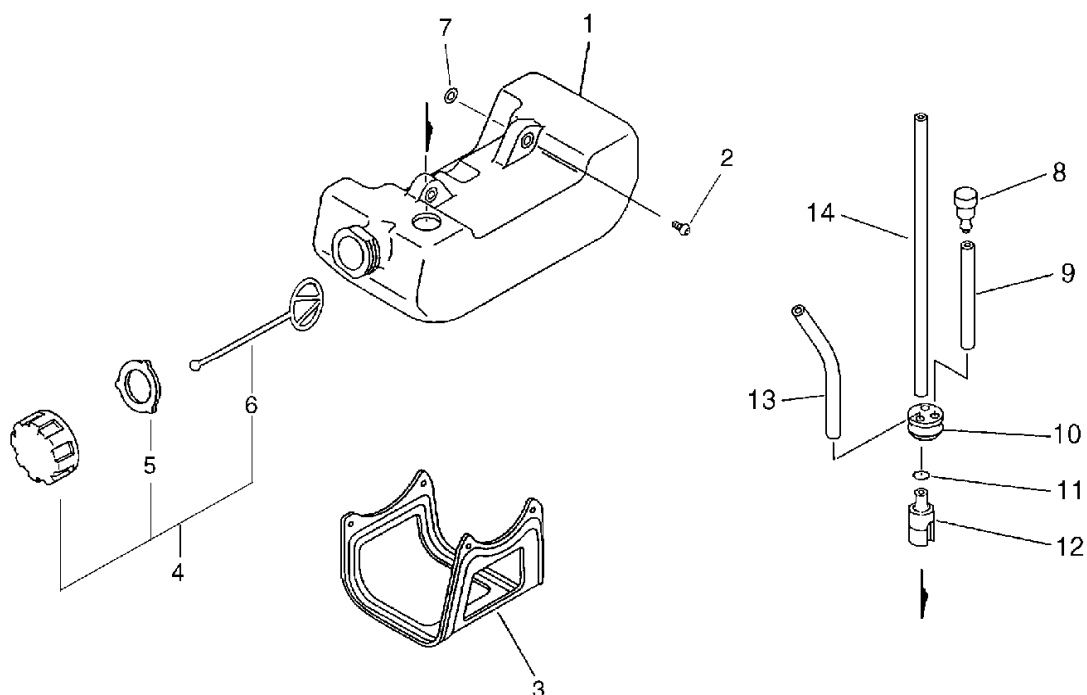


KEY	LV	PART NUMBER	Q'TY	DESCRIPTION	REMARKS	NOTE1	NOTE2
16	+	A313-000041	1	GUIDE,EXH		Sr/Nr 005738 and after	
17	+	145876-42030	1	LID, MUFFLER (B)			
18	+	145866-42031	1	GASKET, MUFFLER LID		Sr/Nr 009086 and before	
18	+	V104-000003	1	GASKET,EXHAUST		Sr/Nr 36001001 and after	
19	+	145862-40630	1	SCREEN, MUFFLER			
20	+	145510-44331	1	GASKET, MUFFLER			



## 4. Fuel Tank

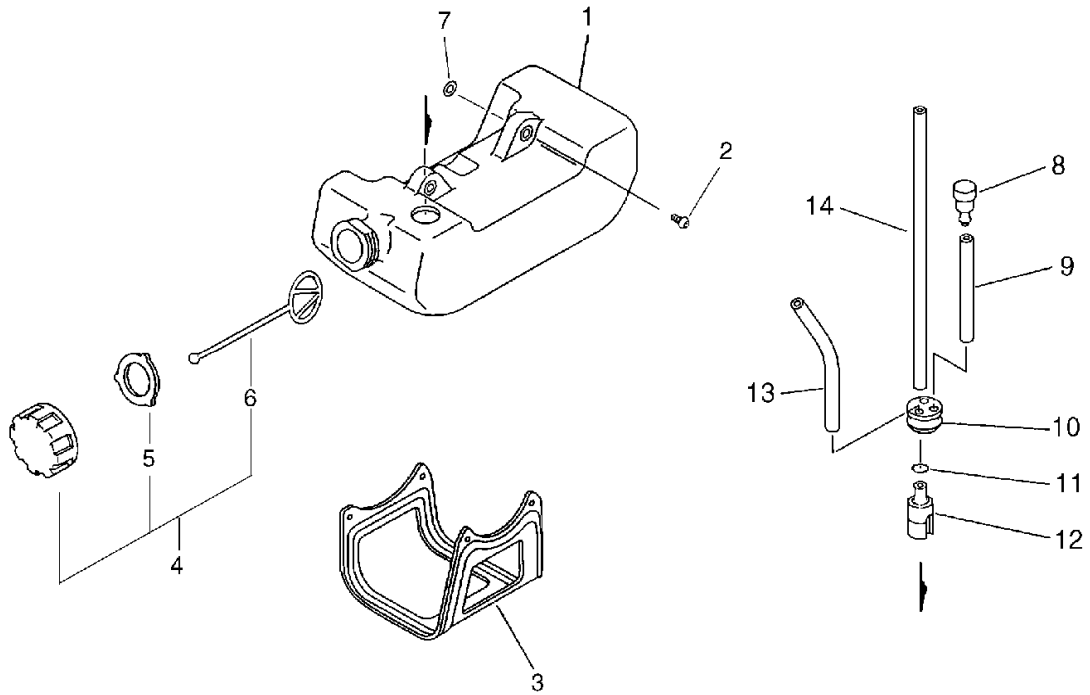
No.4



KEY	LV	PART NUMBER	Q'TY	DESCRIPTION	REMARKS	NOTE1	NOTE2
1		131005-44331	1	TANK, FUEL		Sus. by 131005-44332	
1		131005-44332	1	TANK, FUEL			
2		900243-05016	2	SCREW 5*16	5*16		
3		305110-42030	1	STAND (BL)			
4		131004-46730	1	CAP ASSY, FUEL TANK		Sus. by 131004-08960	
4		131004-08960	1	CAP ASSY, FUEL			
5	+	131016-40930	1	GASKET, FUEL CAP		Can be used on the 131004-46730 only	
5	+	131016-55830	1	GASKET, FUEL CAP		Can be used on the 131004-08960 only	
6	+	131051-52430	1	CONNECTOR, CAP	80L		
7		900603-00005	2	WASHER 5	5.5*12*0.8		
8		131300-40630	1	VALVE, CHECK		Sus. by 131300-56430	
8		131300-56430	1	VALVE, CHECK			
9		131312-05560	1	PIPE, VENT	3*5*30		
10		132115-46730	1	GROMMET, FUEL			
11		132013-09820	1	CLIP	6MM		
12		131205-50430	1	STRAINER, FUEL		Sus. by 131205-07320	
12		131205-07320	1	STRAINER, FUEL			

## 4. Fuel Tank

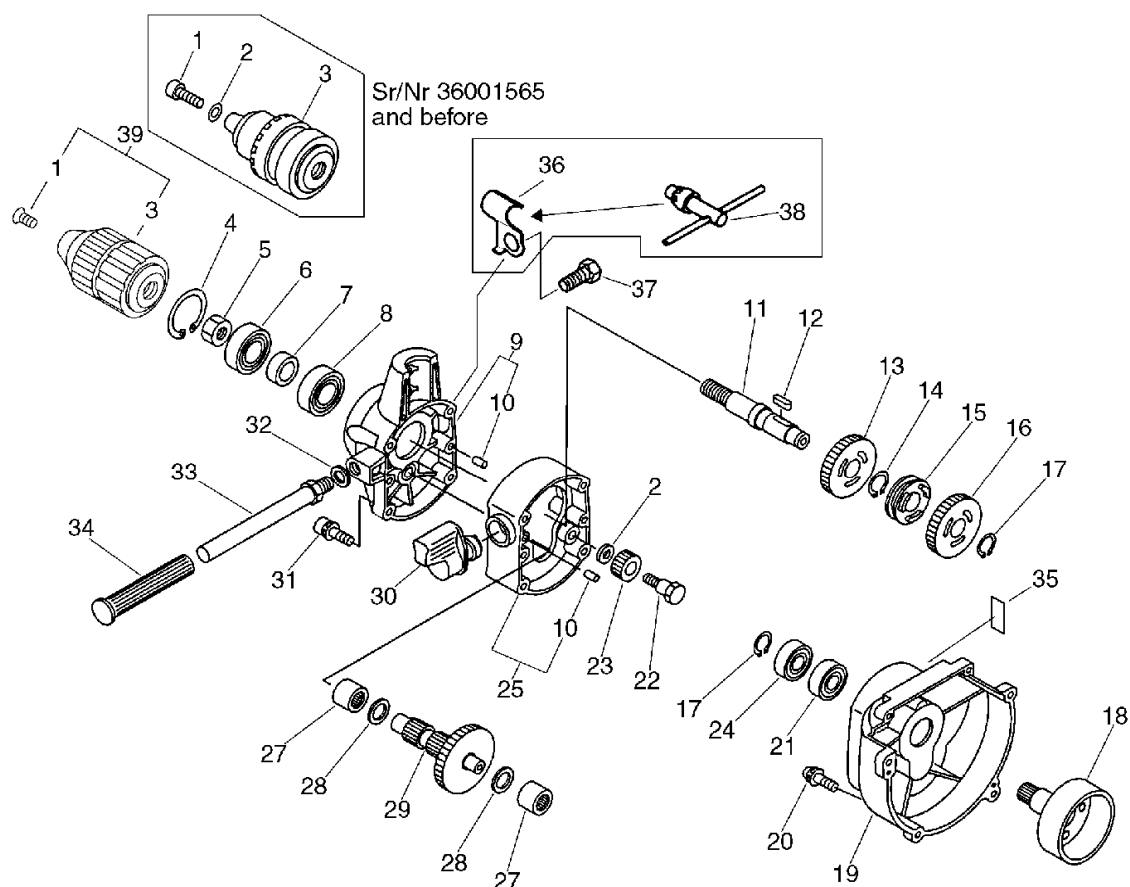
No.4



KEY	LV	PART NUMBER	Q'TY	DESCRIPTION	REMARKS	NOTE1	NOTE2
13		132012-46730	1	PIPE	3*5*80 ㇿニ-ル	Sus. by 132012-56030	
13		132012-56030	1	PIPE	3*6*80 YL		
14		132010-05560	1	PIPE, FUEL	3*5*165		

## 5. Fan Cover, Gear Case

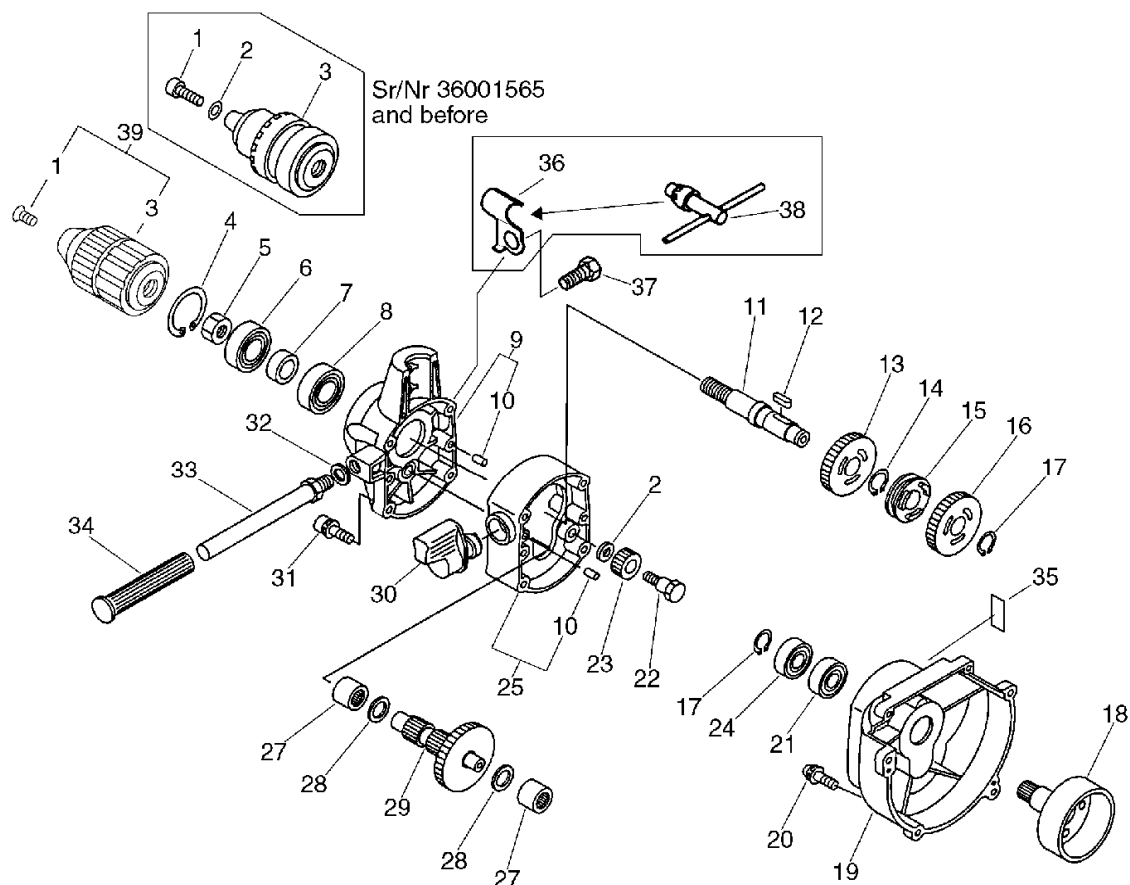
No.5



KEY	LV	PART NUMBER	Q'TY	DESCRIPTION	REMARKS	NOTE1	NOTE2
1		900105-06020	1	BOLT, H.S. 6*20	6*20	Sr/Nr 36001565 and before	
2		175014-04630	2	WASHER, CLUTCH		Sr/Nr 36001565 and before QTY:1	
3		604051-05560	1	CHUCK		Sr/Nr 36001565 and before	
39		P021-009880	1	CHUCK SET		Sr/Nr 36001566 and after	
1	+	91103-06020	1	BOLT HSH	6*20	Can be used on P021-009880 only	
3	+	X460-000000	1	CHUCK		Can be used on P021-009880 only	
2		175014-04630	1	WASHER, CLUTCH		Sr/Nr 36001566 and after	
4		900702-00032	1	CIRCLIP 32	CR-32		
5		224319-20960	1	NUT, 12			
6		900802-06002	1	BEARING, BALL 6002	6002DDU(LLU)		
7		604044-05560	1	COLLAR			
8		900800-36002	1	BEARING, BALL 6002	6002		
9		604305-20960	1	HOUSING, GEAR			
10	+	100215-03930	2	PIN, DOWEL			
11		606021-20960	1	SHAFT, AXLE			
12		900325-04016	1	KEY, FEATHER 4*16	4*16		

## 5. Fan Cover, Gear Case

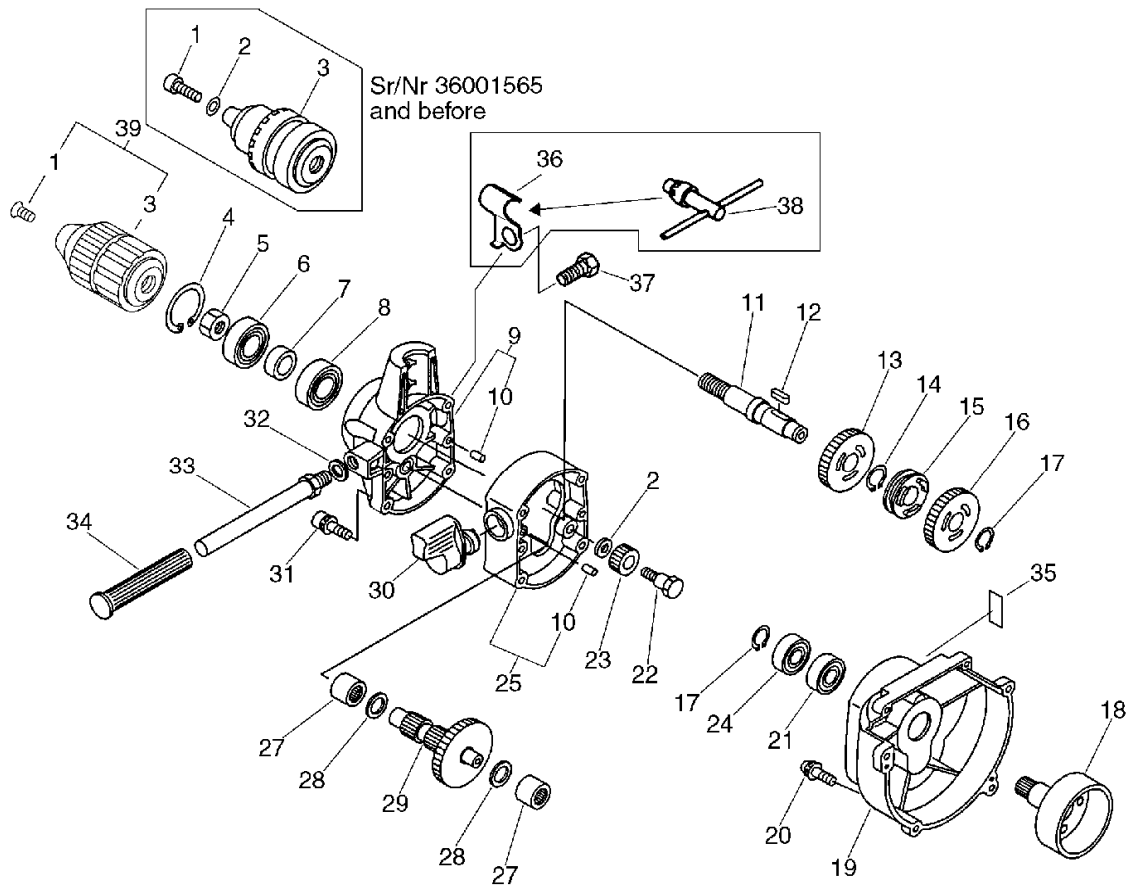
No.5



KEY	LV	PART NUMBER	Q'TY	DESCRIPTION	REMARKS	NOTE1	NOTE2
13		604213-20960	1	GEAR, SPUR			
14		900701-00015	1	CIRCLIP 15	CS-15		
15		604235-20960	1	NAIL, CLUTCH			
16		604224-20960	1	GEAR, SPUR			
17		900701-00012	2	CIRCLIP 12	CS-12		
18		175005-05560	1	DRUM, CLUTCH			
19		101511-20960	1	COVER, FAN			
20		900242-04016	4	SCREW 4*16	4*16		
21		900801-06001	1	BEARING, BALL 6001	6001DU (LU)		
22		175046-22332	1	BOLT, CLUTCH			
23		605311-20960	1	GEAR, SPUR			
24		900800-06001	1	BEARING, BALL 6001	6001		
25		604306-20960	1	CASE, GEAR			
10	+	100215-03930	2	PIN, DOWEL			
27		604221-05560	2	BEARING, NEEDLE			
28		604223-05560	2	WASHER			
29		604206-20960	1	GEAR, W/SHAFT		Sus. by 604206-20961	
29		604206-20961	1	GEAR W/SHAFT			
30		703005-20960	1	LEVER, CLUTCH			
31		900162-05050	4	BOLT, H.S. 5*50	5*50 W,SW		
32		900600-00010	1	WASHER 10	10		
33		351210-05560	1	HANDLE, LEFT			
34		351515-22330	1	GRIP			
35		890160-20960	1	LABEL, CAUTION			

# 5. Fan Cover, Gear Case

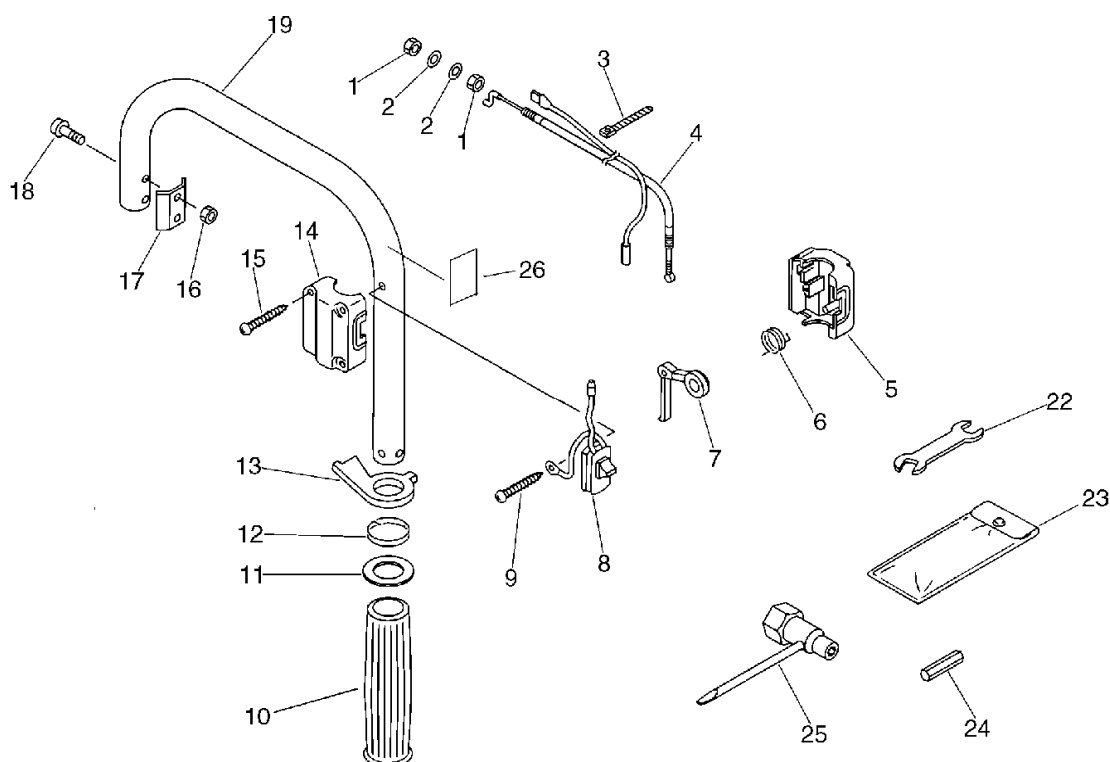
No.5



KEY	LV	PART NUMBER	Q'TY	DESCRIPTION	REMARKS	NOTE1	NOTE2
36		897575-05560	1	SPRING, FLAT		Sr/Nr 36001565 and before	
37		900100-10015	1	BOLT 10*15	10*15		
38		897570-05560	1	CHUCK, KEY		Sr/Nr 36001565 and before	

## 6. Handle, Tools

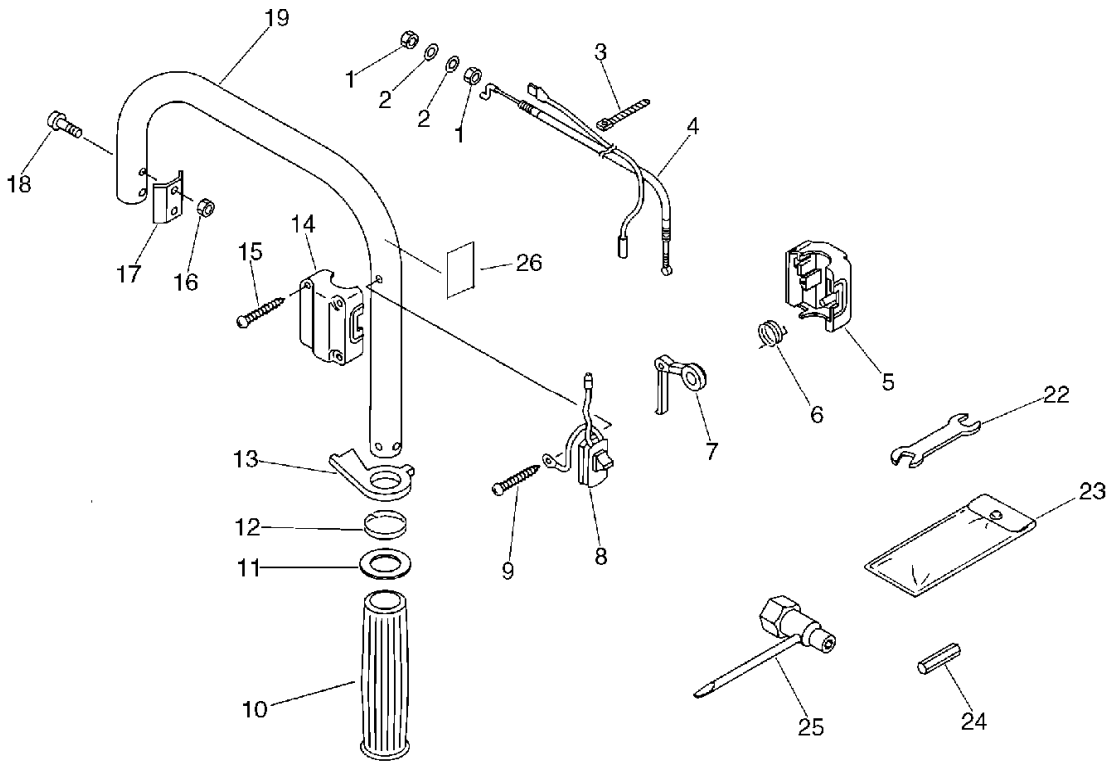
No.6



KEY	LV	PART NUMBER	Q'TY	DESCRIPTION	REMARKS	NOTE1	NOTE2
1		900502-00006	2	NUT 6 (3N)	3N6		
2		900600-00006	2	WASHER 6	6		
3		178121-08550	1	BAND	CV-100	Sus. by 178121-56030	
3		178121-56030	1	BAND	CV-125B BL		
4		178100-09060	1	CABLE ASY, CONTROL			
5		178024-01260	1	BRACKET, THROTTLE		Sus. by 178024-01261	
5		178024-01261	1	BRACKET, THROTTLE			
6		178043-01260	1	SPRING, THR. RETURN			
7		178010-07660	1	CONTROL, THROTTLE			
8		163400-04460	1	SWITCH, IGNITION(JR)			
9		900245-04030	1	SCREW 4*30	4*30		
10		351315-27930	1	GRIP, HANDLE			
11		178070-02060	1	SPACER		Sus. by 178070-02061	
11		178070-02061	1	SPACER	19.5*34*0.5		
12		178013-02060	1	SPRING, THR. LOCK			
13		178012-02061	1	LOCKOUT, THROTTLE			
14		178052-01260	1	BRACKET, THR. LEVER		Sus. by 178052-01261	
14		178052-01261	1	BRACKET, THROTTLE			
15		900245-04025	4	SCREW 4*25	4*25		
16		900560-00005	2	NUT, LOCK 5	5		
17		351641-05560	1	PLATE			
18		900162-05035	2	BOLT, H.S. 5*35	5*35 W,SW		

6. Handle, Tools

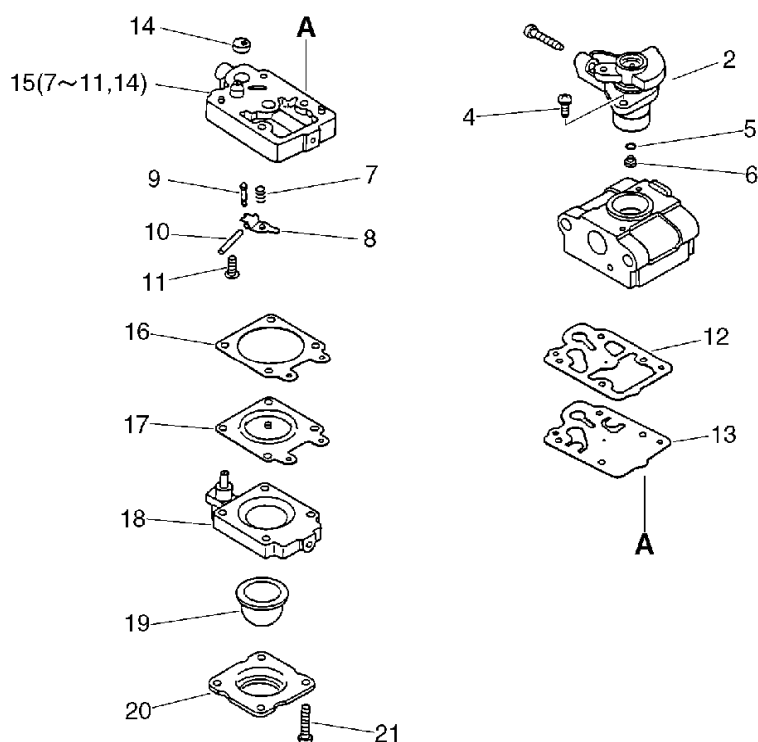
No.6



KEY	LV	PART NUMBER	Q'TY	DESCRIPTION	REMARKS	NOTE1	NOTE2
19		351305-20960	1	HANDLE			
22		895122-20960	1	SPANNER 17*19			
23		898510-39130	1	BAG, TOOL			
24		895412-20960	1	TOOL, BAR			
25		895410-03930	1	WRENCH, W/S. DRIVER			
26		890157-39130	1	LABEL, SWITCH		Disuse	

## 7. Carburetor(Sr/Nr 009086 and before)

No.7

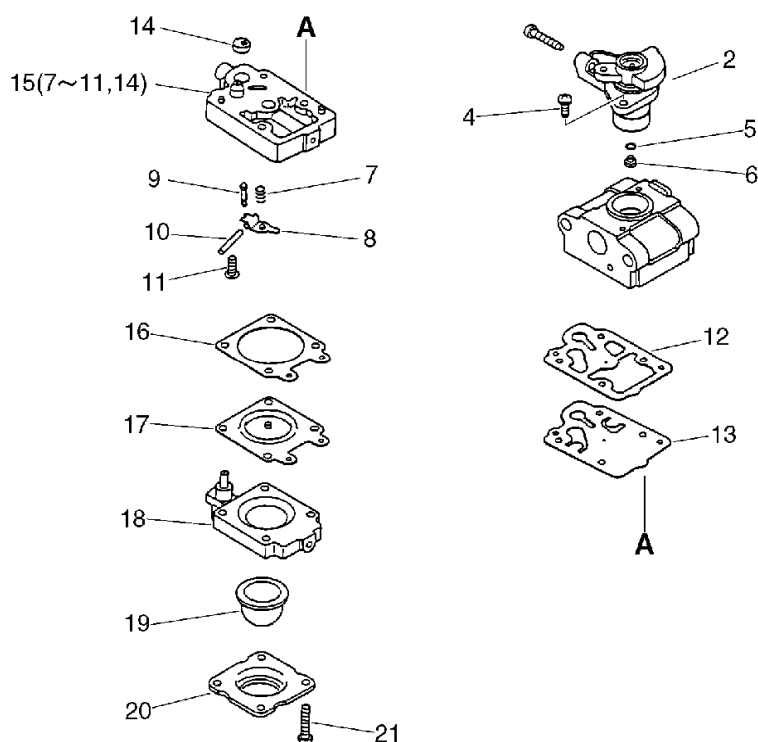


KEY	LV	PART NUMBER	Q'TY	DESCRIPTION	REMARKS	NOTE1	NOTE2
		123000-05560	1	CARBURETOR WYL-23	WYL-23		
2	+	123116-05560	1	VALVE, THROTTLE		Sus. by P003-000670	
2	+	P003-000670	1	VALVE, THROTTLE			
4	+	123114-44330	2	SCREW			
5	+	123183-40630	1	O-RING			
6	+	123184-44330	1	JET #37	#37		
15	+	123179-05560	1	BODY ASSY, PUMP			
7	++	123122-05560	1	SPRING, METER. LEVER			
8	++	123123-03930	1	LEVER, METERING			
9	++	123137-19830	1	VALVE, INLET NEEDLE			
10	++	123138-03930	1	PIN, METERING LEVER			
11	++	123139-05560	1	SCREW, M. LEVER PIN			
14	++	123126-10631	1	SCREEN, INLET			
12	+	123125-40630	1	GASKET, PUMP			
13	+	123112-40630	1	DIAPHRAGM, PUMP			
16	+	123140-05560	1	GASKET, M. DIAPHRAGM			
17	+	123141-03930	1	DIAPHRAGM, METERING			
18	+	123180-05560	1	BODY, AIR PURGE			
19	+	123181-40630	1	PUMP, PRIMER			
20	+	123142-05560	1	COVER, PRIMER PUMP			
21	+	123110-05560	4	SCREW, PUMP COVER			



## 8. Carburetor(Sr/Nr 36001001 and after)

No.8



KEY	LV	PART NUMBER	Q'TY	DESCRIPTION	REMARKS	NOTE1	NOTE2
		A021-000541	1	CARBURETOR,DIAPHRAGM	WYL-180A		
4	+	123114-44330	2	SCREW			
5	+	123183-40630	1	O-RING			
6	+	P003-000470	1	JET			
9	+	123125-40630	1	GASKET, PUMP			
10	+	123112-40630	1	DIAPHRAGM, PUMP			
12	+	123179-05560	1	BODY ASSY, PUMP			
13	++	123126-10631	1	SCREEN, INLET			
14	++	123137-19830	1	VALVE, INLET NEEDLE			
15	++	123138-03930	1	PIN, METERING LEVER			
16	++	123139-05560	1	SCREW, M. LEVER PIN			
17	++	123122-05560	1	SPRING, METER. LEVER			
18	++	123123-03930	1	LEVER, METERING			
20	+	123140-05560	1	GASKET, M. DIAPHRAGM			
21	+	P003-000090	1	METERING, DIAPHRAGM			
22	+	123180-05560	1	BODY, AIR PURGE			
23	+	123181-40630	1	PUMP, PRIMER			
24	+	123142-05560	1	COVER, PRIMER PUMP			
25	+	123110-05560	4	SCREW, PUMP COVER			

**Index**

<b>Patrs Number</b>	<b>Key No.</b>	<b>Patrs Number</b>	<b>Key No.</b>	<b>Patrs Number</b>	<b>Key No.</b>
100000-48732	1 - 4	123142-05560	8 - 24	163400-04460	6 - 8
100011-05330	1 - 5	123179-05560	7 - 15	175000-52130	2 - 25
100012-51230	1 - 16	123179-05560	8 - 12	175005-05560	5 - 18
100013-11520	1 - 6	123180-05560	7 - 18	175014-04630	5 - 2
100014-11520	1 - 8	123180-05560	8 - 22	175014-04630	5 - 2
100015-04630	1 - 7	123181-40630	7 - 19	175046-22332	5 - 22
100100-44732	1 - 15	123181-40630	8 - 23	177200-42033	2 - 11
100100-44733	1 - 15	123183-40630	7 - 5	177202-44330	2 - 8
100204-52130	1 - 9	123183-40630	8 - 5	177202-44331	2 - 8
100204-52131	1 - 9	123184-44330	7 - 6	177215-44430	2 - 13
100204-52132	1 - 9	130010-42032	3 - 11	177218-44330	2 - 10
100212-42030	1 - 10	130010-44431	3 - 8	177220-42030	2 - 17
100212-42031	1 - 10	130017-44330	3 - 9	177226-10120	2 - 14
100215-03930	1 - 11	130300-45130	3 - 1	177227-42030	2 - 15
100215-03930	5 - 10	130310-44330	3 - 2	177228-06530	2 - 16
100215-03930	5 - 10	130327-44330	3 - 3	177234-12220	2 - 9
100242-42030	1 - 13	131004-08960	4 - 4	177234-42030	2 - 9
101010-44332	1 - 3	131004-46730	4 - 4	177236-44330	2 - 12
101011-06562	1 - 1	131005-44331	4 - 1	178010-07660	6 - 7
101511-20960	5 - 19	131005-44332	4 - 1	178012-02061	6 - 13
101514-05561	1 - 19	131016-40930	4 - 5	178013-02060	6 - 12
101514-24360	1 - 19	131016-55830	4 - 5	178024-01260	6 - 5
123000-05560	3 - 6	131051-52430	4 - 6	178024-01261	6 - 5
123000-05560	7 -	131205-07320	4 - 12	178043-01260	6 - 6
123110-05560	7 - 21	131205-50430	4 - 12	178052-01260	6 - 14
123110-05560	8 - 25	131300-40630	4 - 8	178052-01261	6 - 14
123112-40630	7 - 13	131300-56430	4 - 8	178070-02060	6 - 11
123112-40630	8 - 10	131312-05560	4 - 9	178070-02061	6 - 11
123114-44330	7 - 4	132010-05560	4 - 14	178100-09060	6 - 4
123114-44330	8 - 4	132012-46730	4 - 13	178121-08550	6 - 3
123116-05560	7 - 2	132012-56030	4 - 13	178121-56030	6 - 3
123122-05560	7 - 7	132013-09820	4 - 11	224319-20960	5 - 5
123122-05560	8 - 17	132115-46730	4 - 10	305110-42030	4 - 3
123123-03930	7 - 8	145510-44331	3 - 20	351011-05560	2 - 21
123123-03930	8 - 18	145800-05560	3 - 14	351210-05560	5 - 33
123125-40630	7 - 12	145862-40630	3 - 19	351305-20960	6 - 19
123125-40630	8 - 9	145863-42030	3 - 16	351315-27930	6 - 10
123126-10631	7 - 14	145866-42031	3 - 18	351515-22330	5 - 34
123126-10631	8 - 13	145876-42030	3 - 17	351641-05560	6 - 17
123137-19830	7 - 9	150112-42030	2 - 4	604044-05560	5 - 7
123137-19830	8 - 14	156110-54930	2 - 25	604051-05560	5 - 3
123138-03930	7 - 10	156601-52130	2 - 1	604206-20960	5 - 29
123138-03930	8 - 15	156801-12360	2 - 24	604206-20961	5 - 29
123139-05560	7 - 11	156801-44731	2 - 24	604213-20960	5 - 13
123139-05560	8 - 16	156801-44731	2 - 24	604221-05560	5 - 27
123140-05560	7 - 16	159011-03432	2 - 6	604223-05560	5 - 28
123140-05560	8 - 20	159012-01620	2 - 5	604224-20960	5 - 16
123141-03930	7 - 17	159017-12330	2 - 7	604235-20960	5 - 15
123142-05560	7 - 20	162010-52830	2 - 3	604305-20960	5 - 9

**Index**

<b>Patrs Number</b>	<b>Key No.</b>	<b>Patrs Number</b>	<b>Key No.</b>	<b>Patrs Number</b>	<b>Key No.</b>
604306-20960	5 - 25	900800-36002	5 - 8		
605311-20960	5 - 23	900801-06001	5 - 21		
606021-20960	5 - 11	900802-06002	5 - 6		
703005-20960	5 - 30	900810-36201	1 - 12		
890118-44330	2 - 20	91103-06020	5 - 1		
890118-49130	2 - 20	94035-36201	1 - 12		
890157-39130	6 - 26	A011-000101	1 - 15		
890160-20960	1 - 20	A021-000541	3 - 6		
890160-20960	1 - 20	A021-000541	8 -		
890160-20960	5 - 35	A101-000000	1 - 5		
890310-20960	1 - 17	A130-000430	1 - 1		
895122-20960	6 - 22	A313-000041	3 - 16		
895410-03930	6 - 25	A409-000160	2 - 24		
895412-20960	6 - 24	A411-000130	2 - 1		
897570-05560	5 - 38	A425-000000	2 - 7		
897575-05560	5 - 36	P003-000090	8 - 21		
898510-39130	6 - 23	P003-000470	8 - 6		
900100-10015	5 - 37	P003-000670	7 - 2		
900105-05055	3 - 13	P021-000583	3 - 14		
900105-06020	5 - 1	P021-000880	3 - 14		
900162-04016	2 - 19	P021-001101	1 - 4		
900162-04020	2 - 2	P021-001102	1 - 4		
900162-04022	2 - 2	P021-009880	5 - 39		
900162-05022	1 - 2	V100-000080	1 - 3		
900162-05028	1 - 14	V104-000003	3 - 18		
900162-05035	6 - 18	V485-000290	2 - 3		
900162-05050	5 - 31	V553-000010	1 - 16		
900242-04010	3 - 15	V553-000030	1 - 16		
900242-04012	1 - 18	X460-000000	5 - 3		
900242-04016	5 - 20	X547-000190	1 - 21		
900242-05016	2 - 22				
900242-05020	3 - 7				
900242-05064	3 - 4				
900243-05016	4 - 2				
900245-04025	6 - 15				
900245-04030	6 - 9				
900325-04016	5 - 12				
900500-00005	3 - 10				
900502-00006	6 - 1				
900560-00005	6 - 16				
900600-00005	3 - 12				
900600-00006	6 - 2				
900600-00010	5 - 32				
900603-00005	4 - 7				
900701-00012	5 - 17				
900701-00015	5 - 14				
900702-00032	5 - 4				
900720-00015	3 - 5				
900800-06001	5 - 24				

# YAMABIKO CORPORATION

7-2 SUEHIROCHO 1-CHOME, OHME, TOKYO 198-8760, JAPAN  
PHONE: 81-428-32-6118. FAX: 81-428-32-6145.

**ECHO**®



2100  
No.