



# **PARTS CATALOG**

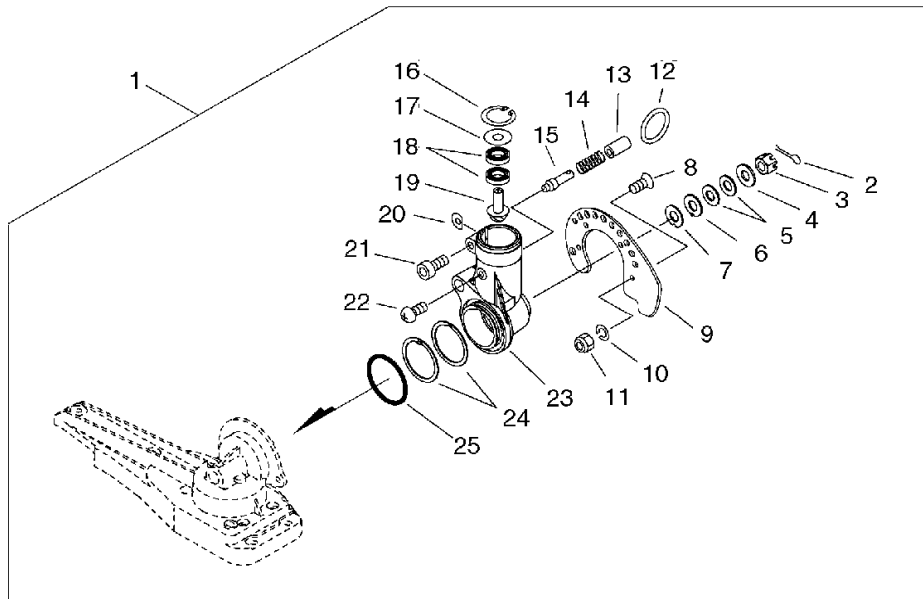
## **TRIMMER / BRUSHCUTTER ACCESSORY**

**HCAA-2403A(35)**

**35002501 -**

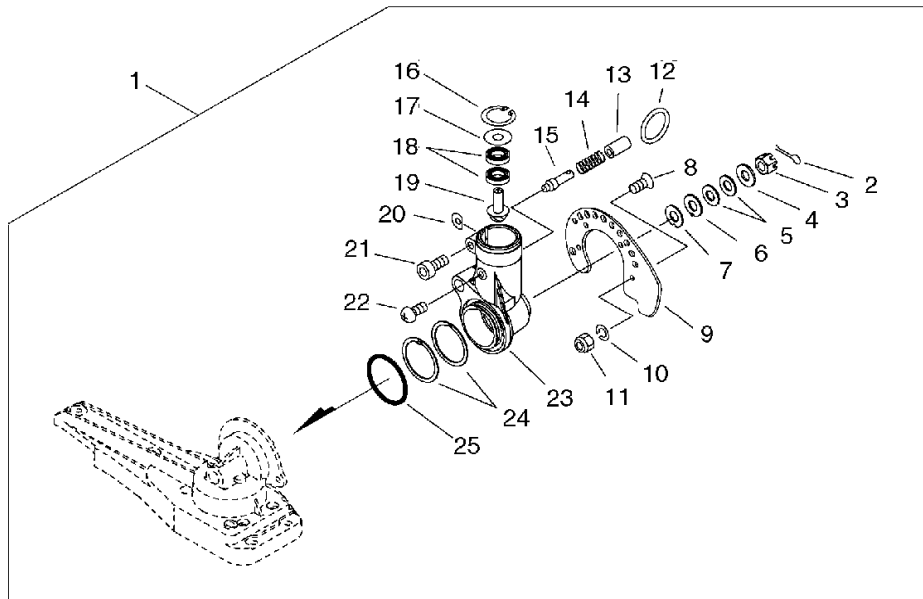
P014-000700-10Hb

## 1-1. GEAR CASE, CUTTER



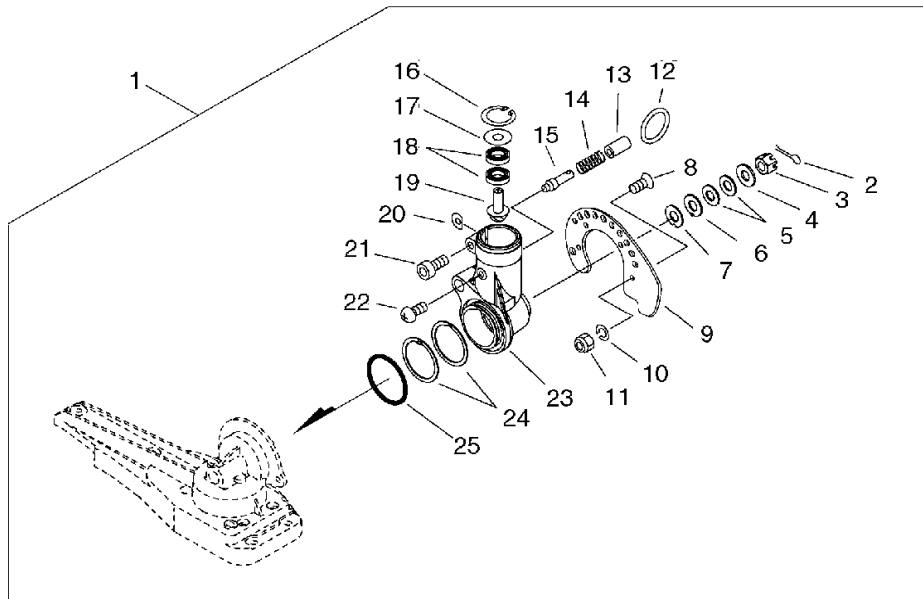
| KEY | LV | PART NUMBER  | Q'TY | DESCRIPTION        | REMARKS             | NOTE1 | NOTE2 |
|-----|----|--------------|------|--------------------|---------------------|-------|-------|
| 1   |    | P021-010466  | 1    | CASE ASY, GEAR     |                     |       |       |
| 2   | +  | 93000-16180  | 1    | PIN SPLIT          | P-1.6*18            |       |       |
| 3   | +  | 900529-00008 | 1    | NUT, SLOTT 8       |                     |       |       |
| 4   | +  | V306-000140  | 1    | WASHER,CIRCULAR 8  |                     |       |       |
| 5   | +  | V347-000010  | 2    | WASHER,CONICAL     |                     |       |       |
| 6   | +  | V340-000110  | 1    | WASHER             |                     |       |       |
| 7   | +  | V110-000040  | 1    | GASKET,GEAR CASE   | CIRCULAR 17MM<br>OD |       |       |
| 8   | +  | 900212-04012 | 2    | SCREW 4*12         | +SF4*12             |       |       |
| 9   | +  | C465-000010  | 1    | RESETTER, LATCH    |                     |       |       |
| 10  | +  | 900605-00004 | 2    | WASHER, SPRING 4   | 4                   |       |       |
| 11  | +  | 900560-00004 | 2    | LOCKNUT            | 4                   |       |       |
| 12  | +  | V583-000050  | 1    | RING               |                     |       |       |
| 13  | +  | V355-000310  | 1    | COLLAR,8           |                     |       |       |
| 14  | +  | V450-000420  | 1    | SPRING,COMPRESSION |                     |       |       |
| 15  | +  | V642-000020  | 1    | PIN,LINCH          |                     |       |       |
| 16  | +  | 900702-00022 | 1    | CIRCLIP 22         | CR-22               |       |       |
| 17  | +  | V583-000060  | 1    | RING               |                     |       |       |
| 18  | +  | 900859-06900 | 2    | BEARING, BALL 6900 | 6900                |       |       |
| 20  | +  | V340-000170  | 1    | WASHER             |                     |       |       |
| 21  | +  | 900162-05025 | 1    | BOLT, H.S. 5*25    | 5*25 W,SW           |       |       |
| 22  | +  | 900242-05012 | 1    | SCREW 5*12         | 5*12                |       |       |
| 23  | +  | C531-000292  | 1    | CASE,GEAR          |                     |       |       |
| 24  | +  | V340-000120  | 2    | WASHER             |                     |       |       |
| 25  | +  | 900724-00032 | 1    | O-RING             | S-32                |       |       |

## 1-2. GEAR CASE, CUTTER



| KEY | LV | PART NUMBER  | Q'TY | DESCRIPTION        | REMARKS         | NOTE1 | NOTE2 |
|-----|----|--------------|------|--------------------|-----------------|-------|-------|
| 26  |    | P021-010690  | 1    | BEVEL GEAR SET     |                 |       |       |
| 19  | ++ | V651-000240  | 1    | GEAR,BEVEL         | 12 TEETH        |       |       |
| 27  | ++ | V651-000250  | 1    | GEAR,BEVEL         | 25 TEETH        |       |       |
| 28  | ++ | V651-000260  | 1    | GEAR,BEVEL         | 35 TEETH        |       |       |
| 29  | +  | 351305-12360 | 1    | HANDLE             |                 |       |       |
| 30  | ++ | 351315-12360 | 1    | GRIP, HANDLE       | 19*135          |       |       |
| 31  | +  | 900560-00005 | 2    | NUT, LOCK 5        | 5               |       |       |
| 32  | +  | 900600-00005 | 2    | WASHER 5           | 5               |       |       |
| 33  | +  | 900142-05028 | 2    | BOLT 5*28 (W/W.SW) | 5*28            |       |       |
| 34  | +  | 900105-05008 | 4    | BOLT, H.S. 5*8     | 5*8             |       |       |
| 35  | +  | C531-000302  | 1    | CASE,GEAR          | DRIVEN SIDE     |       |       |
| 36  | +  | 880110-10860 | 2    | NIPPLE, GREASE     |                 |       |       |
| 37  | +  | 900516-00005 | 2    | NUT, FRANGE 5      | 5               |       |       |
| 38  | +  | V541-000130  | 2    | SEAL               |                 |       |       |
| 39  | +  | C534-000260  | 1    | SHAFT,GEAR         |                 |       |       |
| 40  | +  | V307-000150  | 2    | WASHER,CIRCULAR 10 | 10.2*15.5*T=1   |       |       |
| 41  | +  | V555-000040  | 2    | BEARING,NEEDLE 10  |                 |       |       |
| 42  | +  | 900855-06900 | 1    | BEARING, BALL 6900 | 6900            |       |       |
| 43  | +  | V583-000040  | 1    | RING               |                 |       |       |
| 44  | +  | 900800-06001 | 1    | BEARING, BALL 6001 |                 |       |       |
| 45  | +  | C503-000072  | 1    | HOLDER,BEARING     | 28 BEARING SEAT |       |       |
| 46  | +  | C532-000140  | 2    | ROD, CONNECTING    | YAMASAKI        |       |       |
| 46  | +  | C532-000120  | 2    | ROD, CONNECTING    |                 |       |       |
| 47  | +  | C533-000041  | 1    | CAM                | HCA             |       |       |

## 1-2. GEAR CASE, CUTTER



| KEY | LV | PART NUMBER  | Q'TY | DESCRIPTION      | REMARKS      | NOTE1 | NOTE2 |
|-----|----|--------------|------|------------------|--------------|-------|-------|
|     |    |              |      |                  | HCA GEARCASE |       |       |
| 48  | +  | V110-000051  | 1    | GASKET,GEAR CASE | LID          |       |       |
| 49  | +  | C539-000010  | 1    | LID,GEARCASE     | HCA-260 G.C. |       |       |
| 50  | +  | 900162-04014 | 6    | BOLT, H.S. 4*14  | 4*14 W,SW    |       |       |
| 51  | +  | 433022-06460 | 4    | NUT              |              |       |       |
| 52  | +  | 699118-04560 | 5    | WASHER           |              |       |       |
| 53  | +  | C538-000120  | 1    | GUIDE,CUTTER     |              |       |       |
| 54  | +  | 900212-05020 | 2    | SCREW 5*20       | +SF5*20      |       |       |
| 55  | +  | C538-000110  | 1    | GUIDE,CUTTER     |              |       |       |
| 56  | +  | C538-000100  | 1    | GUIDE,CUTTER     |              |       |       |
| 57  | +  | X495-000060  | 1    | SCABBARD,BLADE   | 19.5         |       |       |
| 58  | +  | X425-000220  | 1    | SUPPORT,CUTTER   | T=3.0        |       |       |
| 59  | +  | X411-000350  | 2    | CUTTER           | L= 570       |       |       |
| 60  | +  | 699115-04660 | 3    | BOLT 6           | 6*18L        |       |       |
| 61  | +  | 699115-07760 | 1    | BOLT, CUTTER     |              |       |       |

**Index**

| <b>Patrs Number</b> | <b>Key No.</b> | <b>Patrs Number</b> | <b>Key No.</b> | <b>Patrs Number</b> | <b>Key No.</b> |
|---------------------|----------------|---------------------|----------------|---------------------|----------------|
| 351305-12360        | ## - 29        | V450-000420         | ## - 14        |                     |                |
| 351315-12360        | ## - 30        | V541-000130         | ## - 38        |                     |                |
| 433022-06460        | ## - 51        | V555-000040         | ## - 41        |                     |                |
| 699115-04660        | ## - 60        | V583-000040         | ## - 43        |                     |                |
| 699115-07760        | ## - 61        | V583-000050         | ## - 12        |                     |                |
| 699118-04560        | ## - 52        | V583-000060         | ## - 17        |                     |                |
| 880110-10860        | ## - 36        | V642-000020         | ## - 15        |                     |                |
| 900105-05008        | ## - 34        | V651-000240         | ## - 19        |                     |                |
| 900142-05028        | ## - 33        | V651-000250         | ## - 27        |                     |                |
| 900162-04014        | ## - 50        | V651-000260         | ## - 28        |                     |                |
| 900162-05025        | ## - 21        | X411-000350         | ## - 59        |                     |                |
| 900212-04012        | ## - 8         | X425-000220         | ## - 58        |                     |                |
| 900212-05020        | ## - 54        | X495-000060         | ## - 57        |                     |                |
| 900242-05012        | ## - 22        |                     |                |                     |                |
| 900516-00005        | ## - 37        |                     |                |                     |                |
| 900529-00008        | ## - 3         |                     |                |                     |                |
| 900560-00004        | ## - 11        |                     |                |                     |                |
| 900560-00005        | ## - 31        |                     |                |                     |                |
| 900600-00005        | ## - 32        |                     |                |                     |                |
| 900605-00004        | ## - 10        |                     |                |                     |                |
| 900702-00022        | ## - 16        |                     |                |                     |                |
| 900724-00032        | ## - 25        |                     |                |                     |                |
| 900800-06001        | ## - 44        |                     |                |                     |                |
| 900855-06900        | ## - 42        |                     |                |                     |                |
| 900859-06900        | ## - 18        |                     |                |                     |                |
| 93000-16180         | ## - 2         |                     |                |                     |                |
| C465-000010         | ## - 9         |                     |                |                     |                |
| C503-000072         | ## - 45        |                     |                |                     |                |
| C531-000292         | ## - 23        |                     |                |                     |                |
| C531-000302         | ## - 35        |                     |                |                     |                |
| C532-000120         | ## - 46        |                     |                |                     |                |
| C532-000140         | ## - 46        |                     |                |                     |                |
| C533-000041         | ## - 47        |                     |                |                     |                |
| C534-000260         | ## - 39        |                     |                |                     |                |
| C538-000100         | ## - 56        |                     |                |                     |                |
| C538-000110         | ## - 55        |                     |                |                     |                |
| C538-000120         | ## - 53        |                     |                |                     |                |
| C539-000010         | ## - 49        |                     |                |                     |                |
| P021-010466         | ## - 1         |                     |                |                     |                |
| P021-010690         | ## - 26        |                     |                |                     |                |
| V110-000040         | ## - 7         |                     |                |                     |                |
| V110-000051         | ## - 48        |                     |                |                     |                |
| V306-000140         | ## - 4         |                     |                |                     |                |
| V307-000150         | ## - 40        |                     |                |                     |                |
| V340-000110         | ## - 6         |                     |                |                     |                |
| V340-000120         | ## - 24        |                     |                |                     |                |
| V340-000170         | ## - 20        |                     |                |                     |                |
| V347-000010         | ## - 5         |                     |                |                     |                |
| V355-000310         | ## - 13        |                     |                |                     |                |

# YAMABIKO CORPORATION

7-2 SUEHIROCHO 1-CHOME, OHME, TOKYO 198-8760, JAPAN  
PHONE: 81-428-32-6118. FAX: 81-428-32-6145.

**ECHO**<sup>®</sup>



10Hb  
No. 64-165