

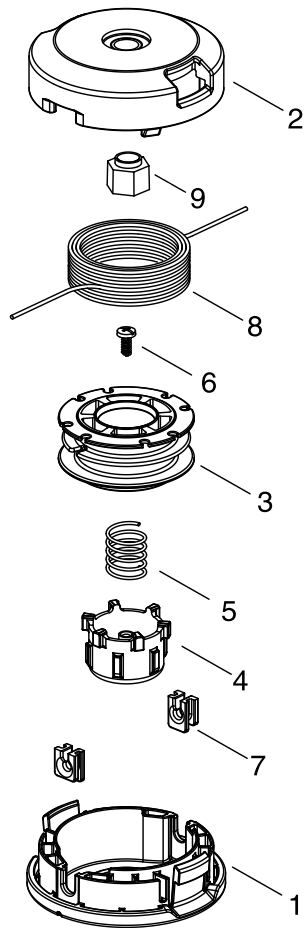


# **PARTS CATALOG**

## **TRIMMER / BRUSHCUTTER ACCESSORY**

**G138507**

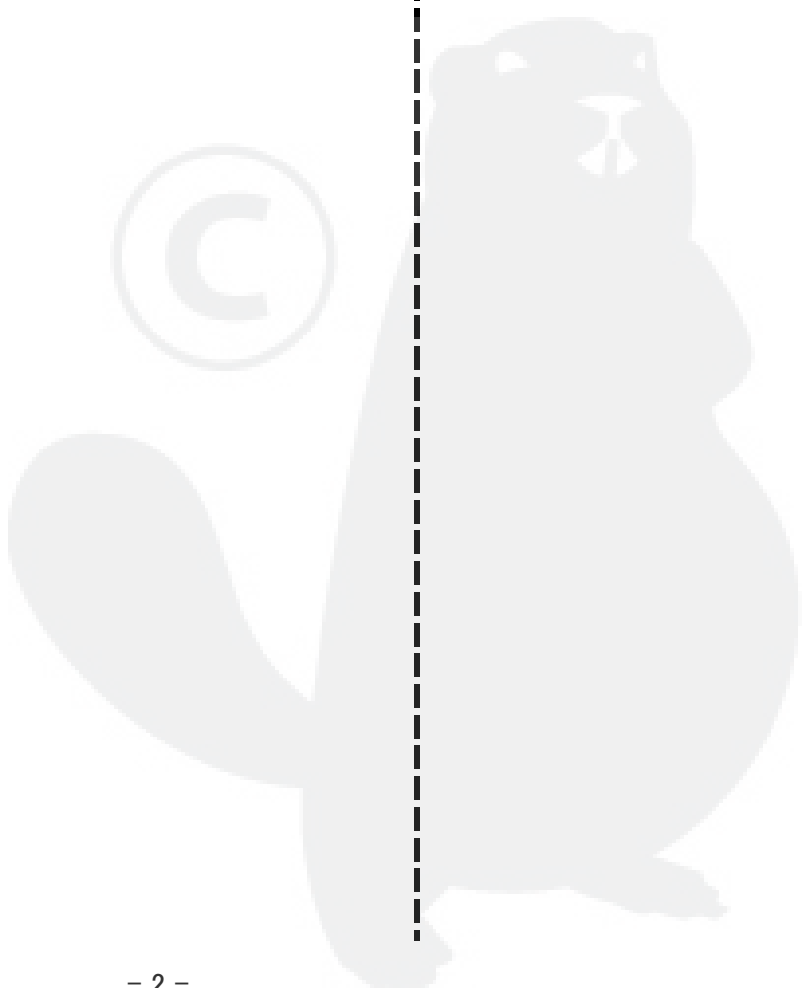
## 1. NYLON LINE CUTTER



| KEY | LV | PART NUMBER | Q'TY | DESCRIPTION     | REMARKS | NOTE1 | NOTE2 |
|-----|----|-------------|------|-----------------|---------|-------|-------|
|     |    | X047-001060 | 1    | CUTTER,ASM LINE | G138507 |       |       |
| 1   | +  | P022-025530 | 1    | CASE            |         |       |       |
| 2   | +  | P022-025540 | 1    | COVER           |         |       |       |
| 3   | +  | P022-025550 | 1    | REEL            |         |       |       |
| 4   | +  | P022-025560 | 1    | BUTTON          |         |       |       |
| 5   | +  | P022-025570 | 1    | RETURN SPRING   |         |       |       |
| 6   | +  | P022-025580 | 1    | SET SCREW       |         |       |       |
| 7   | +  | P022-025590 | 2    | CORD GUIDE      |         |       |       |
| 8   | +  | P022-034150 | 1    | NYLON CORD      |         |       |       |
| 9   | +  | P022-025610 | 1    | SHAFT           |         |       |       |

**Index**

| <b>Patrs Number</b> | <b>Key No.</b> | <b>Patrs Number</b> | <b>Key No.</b> | <b>Patrs Number</b> | <b>Key No.</b> |
|---------------------|----------------|---------------------|----------------|---------------------|----------------|
| P022-025530         | 1 - 1          |                     |                |                     |                |
| P022-025540         | 1 - 2          |                     |                |                     |                |
| P022-025550         | 1 - 3          |                     |                |                     |                |
| P022-025560         | 1 - 4          |                     |                |                     |                |
| P022-025570         | 1 - 5          |                     |                |                     |                |
| P022-025580         | 1 - 6          |                     |                |                     |                |
| P022-025590         | 1 - 7          |                     |                |                     |                |
| P022-025610         | 1 - 9          |                     |                |                     |                |
| P022-034150         | 1 - 8          |                     |                |                     |                |
| X047-001060         | 1 -            |                     |                |                     |                |



# YAMABIKO CORPORATION

7-2 SUEHIROCHO 1-CHOME, OHME, TOKYO 198-8760, JAPAN  
PHONE: 81-428-32-6118. FAX: 81-428-32-6145.

**ECHO**®



0-Hb  
No. 05-076