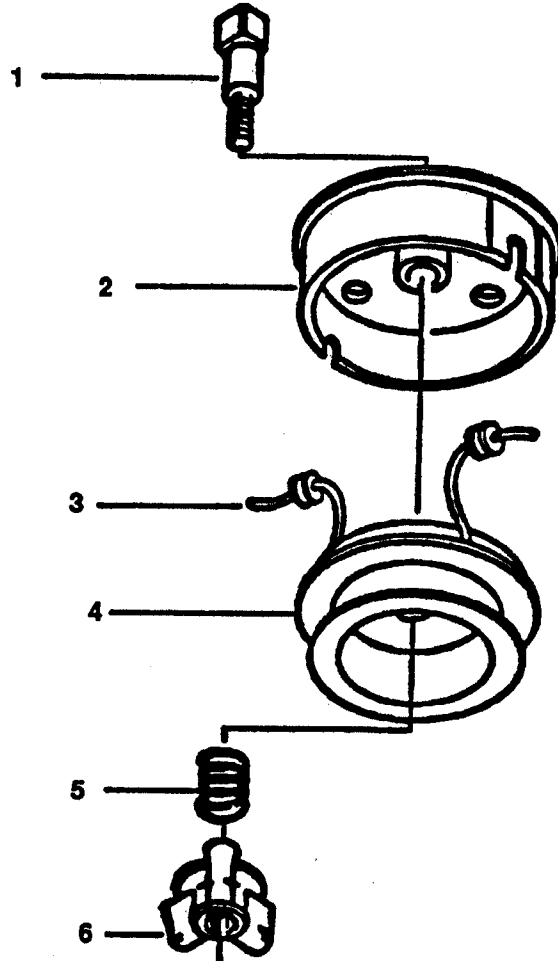


MANUAL HEAD ASSEMBLY

PART NUMBER: 21560060

Thread Size: M10 X 1.25 L.H.

Line Diameter: .095



KEY	PART NUMBER	DESCRIPTION	MODELS USED ON	
1	215601	Shaft Bolt	SRM-202FA	SRM-2201
2	215702	Housing	SRM-250E	SRM-2300
3	215703	Eyelets	SRM-260	SRM-2301
4	215704	Spool	SRM-260S	SRM-2400/2410/2400SB
5	215705	Spring	SRM-300AE	SRM-2450
6	215706	Knob	SRM-300AE/1	SRM-2500/2501/2510
			SRM-400AE	SRM-2501S
			SRM-400BE	SRM-2601
			SRM-400E	SRM-3001
			SRM-1500	SRM.3010
			SRM-1500A	SRM-3100/3110/3100S
			SRM-1501	SRM-3400
			SRM-2100/2110/2100SB	SRM-3800
			SRM-2200 SRM-4600	