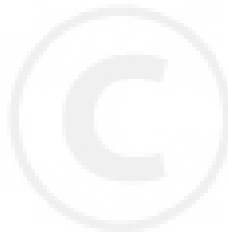




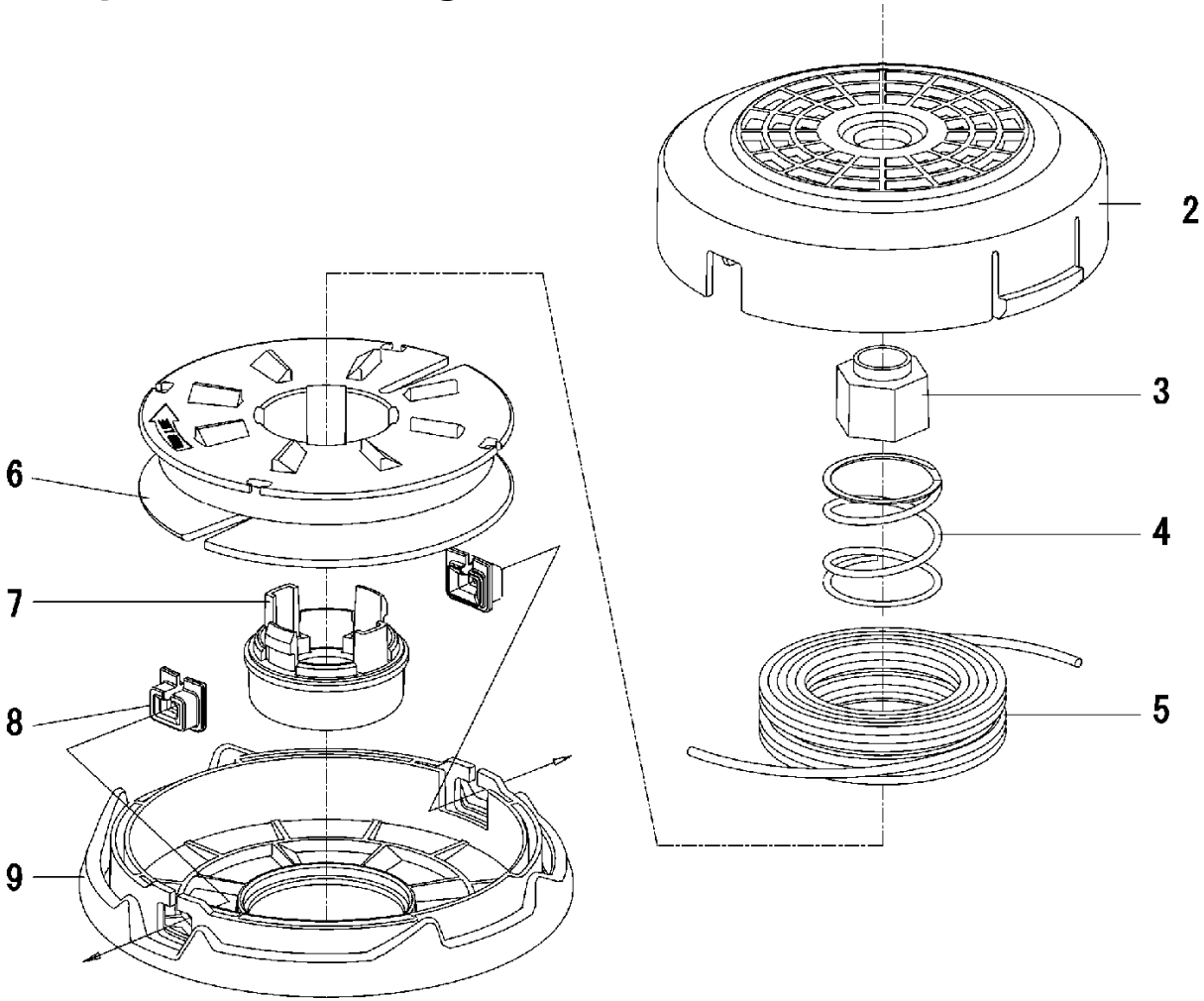
PARTS CATALOG

TRIMMER / BRUSHCUTTER ACCESSORY

B6



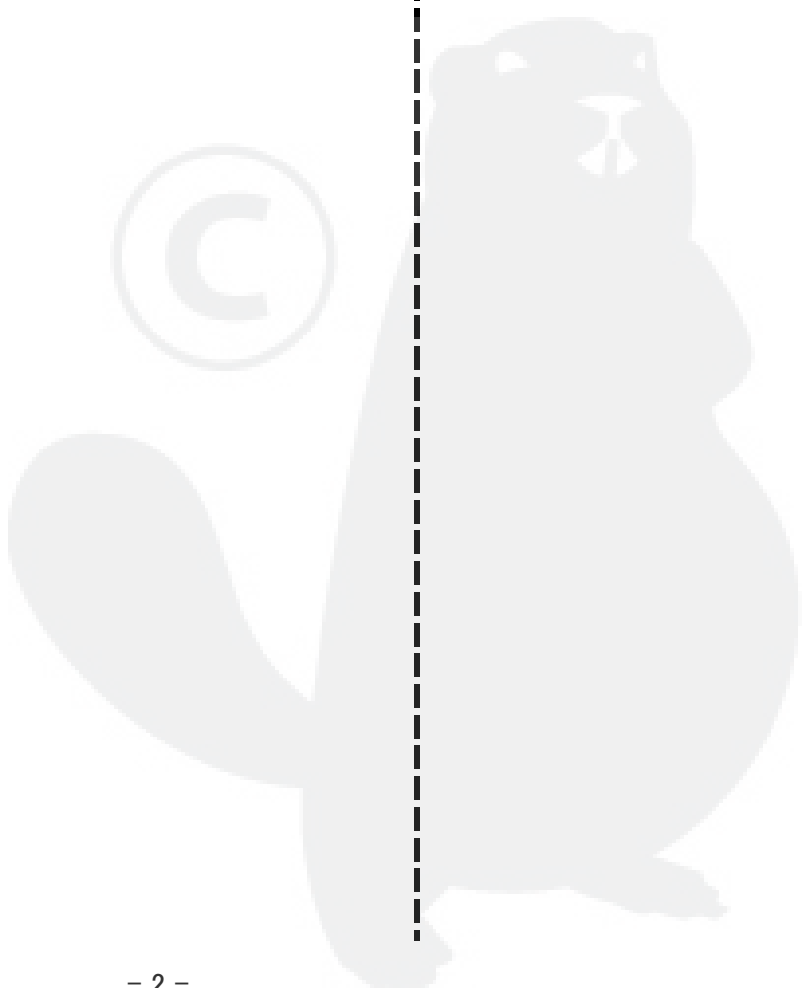
1. Nylon Line Cutting Head



KEY	LV	PART NUMBER	Q'TY	DESCRIPTION	REMARKS	NOTE1	NOTE2
		X047-000460	1	CUTTER,ASM LINE	B6		
2	+	P022-024670	1	CASE			
3	+	P022-024610	1	NUT	M12*1.75 L		
4	+	P022-024630	1	SPRING			
5	+	P022-024650	2	NYLON CODE	3.0MM*1.5M		
6	+	P022-024660	1	LINE HOLDER			
7	+	P022-024620	1	KNOB			
8	+	P022-000710	2	EYELET	T4		
9	+	P022-024640	1	COVER			

Index

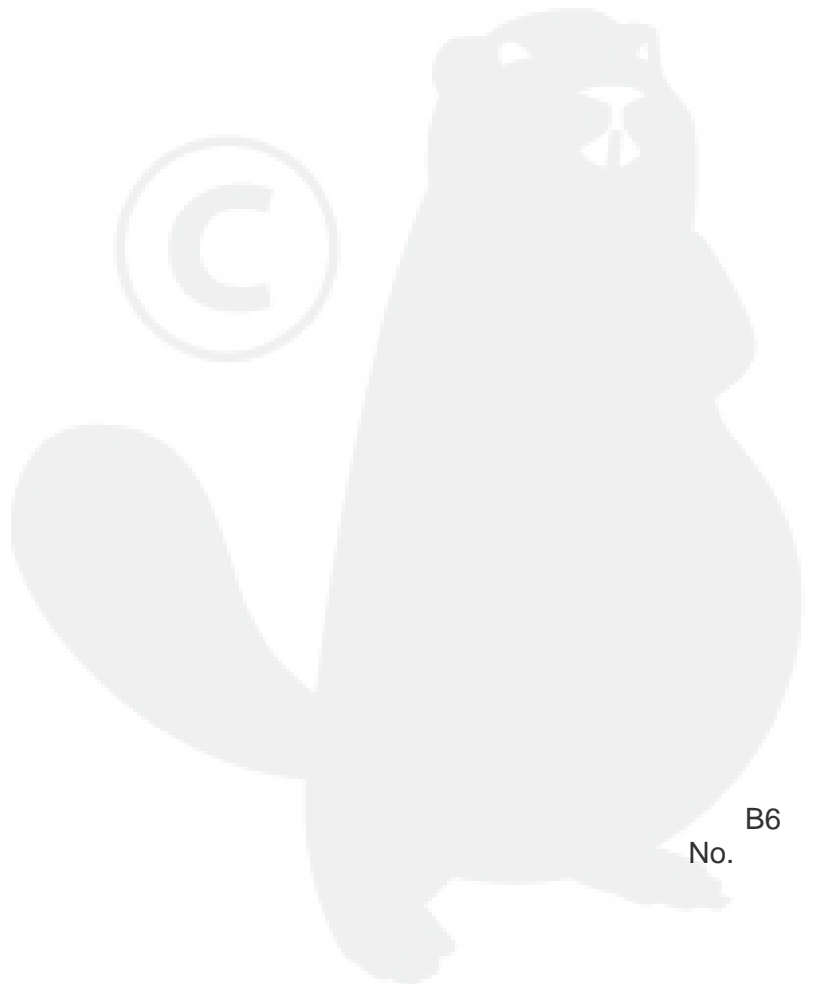
Patrs Number	Key No.	Patrs Number	Key No.	Patrs Number	Key No.
P022-000710	1 - 8				
P022-024610	1 - 3				
P022-024620	1 - 7				
P022-024630	1 - 4				
P022-024640	1 - 9				
P022-024650	1 - 5				
P022-024660	1 - 6				
P022-024670	1 - 2				
X047-000460	1 -				



YAMABIKO CORPORATION

7-2 SUEHIROCHO 1-CHOME, OHME, TOKYO 198-8760, JAPAN
PHONE: 81-428-32-6118. FAX: 81-428-32-6145.

ECHO®



B6
No.