



PARTS CATALOG

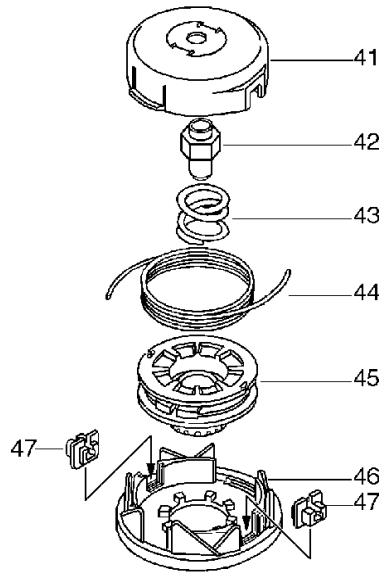
TRIMMER / BRUSHCUTTER ACCESSORY

DS-3 8R, F-4 8R

DS-3 8, F-4 8

1. Nylon Line Cutting Head

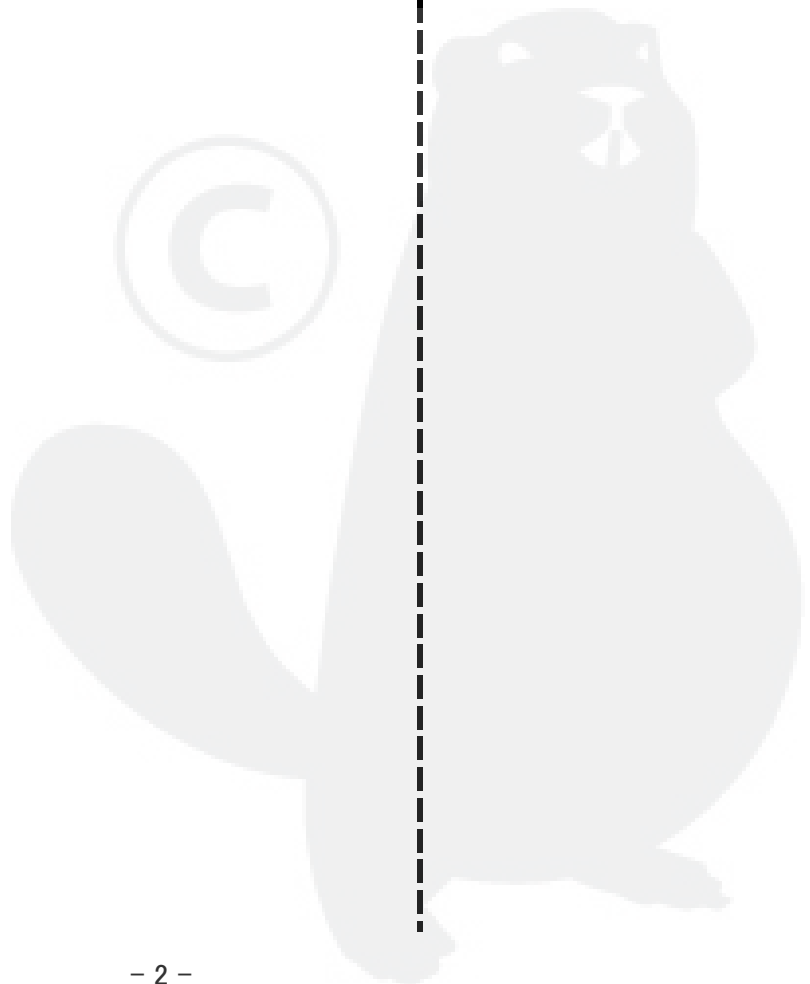
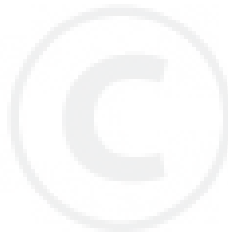
No.1



KEY	LV	PART NUMBER	Q'TY	DESCRIPTION	REMARKS	NOTE1	NOTE2
		X047-000090	1	CUTTER,ASM LINE	DS-3/8 M8L	Sus. by X047-000200	
		X047-000160	1	CUTTER,ASM LINE	F4/8 M8L	Sus. by X047-000200	
		X047-000161	1	CUTTER,ASM LINE	F4/8 M8L	Sus. by X047-000200	
41	+	X047-000200	1	CUTTER,ASM LINE	F4/8	F-4/8	
		V332-000000	1	WASHER,CIRCULAR 24			
42	+	X470-000020	1	DRUM,REEL		Sus. by P022-003310	
42	+	P022-002890	1	HOUSING		Sus. by P022-003310	
42	+	P022-003310	1	HOUSING			
43	+	P022-001360	1	NUT	M8*1.25LH		
44	+	P022-001250	1	SPRING	DS-3/10		
45	+	P022-001230	1	NYLON CODE		Sus. by P022-006190	
45	+	P022-006190	1	NYLON CODE	3.0*2M		
46	+	P022-001370	1	BOBBIN	DS-3 M8LH		
47	+	P022-001240	1	COVER	DS-3/10	Sus. by P022-003330	
47	+	P022-002860	1	COVER		Sus. by P022-003330	
47	+	P022-003330	1	COVER			
48	+	P022-000710	2	EYELET	T4		

Index

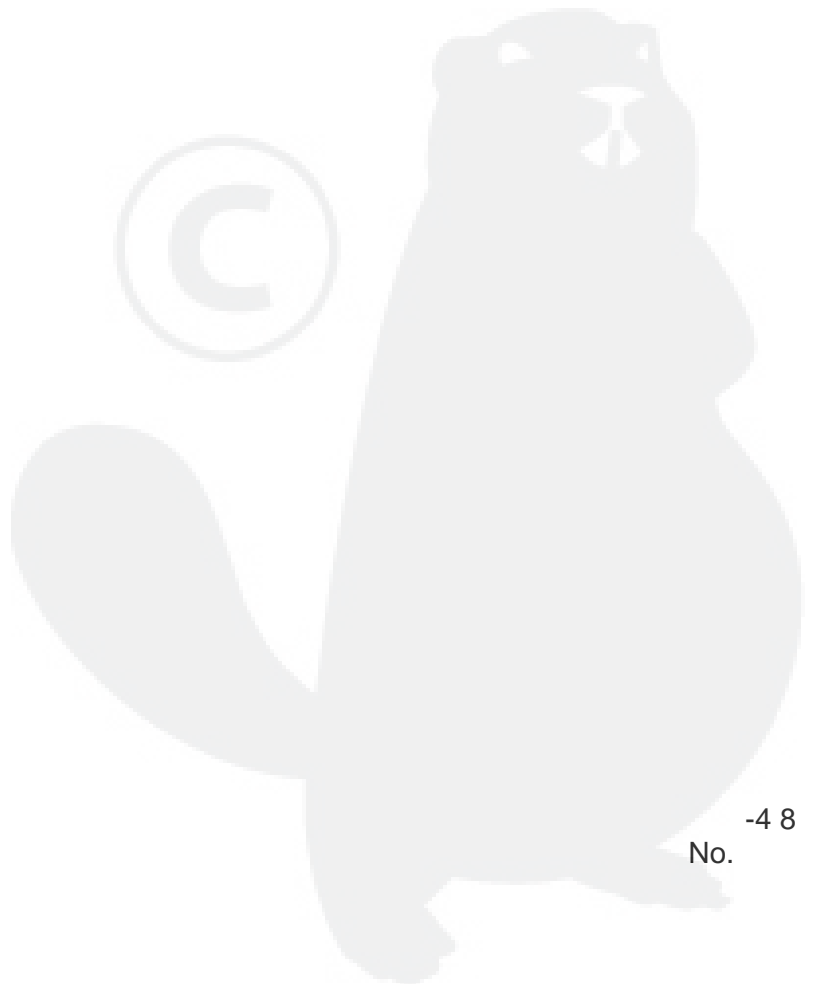
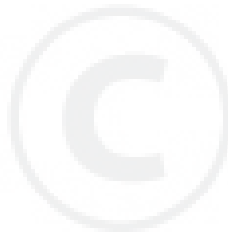
Patrs Number	Key No.	Patrs Number	Key No.	Patrs Number	Key No.
P022-000710	1 - 48				
P022-001230	1 - 45				
P022-001240	1 - 47				
P022-001250	1 - 44				
P022-001360	1 - 43				
P022-001370	1 - 46				
P022-002860	1 - 47				
P022-002890	1 - 42				
P022-003310	1 - 42				
P022-003330	1 - 47				
P022-006190	1 - 45				
V332-000000	1 - 41				
X047-000090	1 -				
X047-000160	1 -				
X047-000161	1 -				
X047-000200	1 -				
X470-000020	1 - 42				



YAMABIKO CORPORATION

7-2 SUEHIROCHO 1-CHOME, OHME, TOKYO 198-8760, JAPAN
PHONE: 81-428-32-6118. FAX: 81-428-32-6145.

ECHO®



-4 8
No.