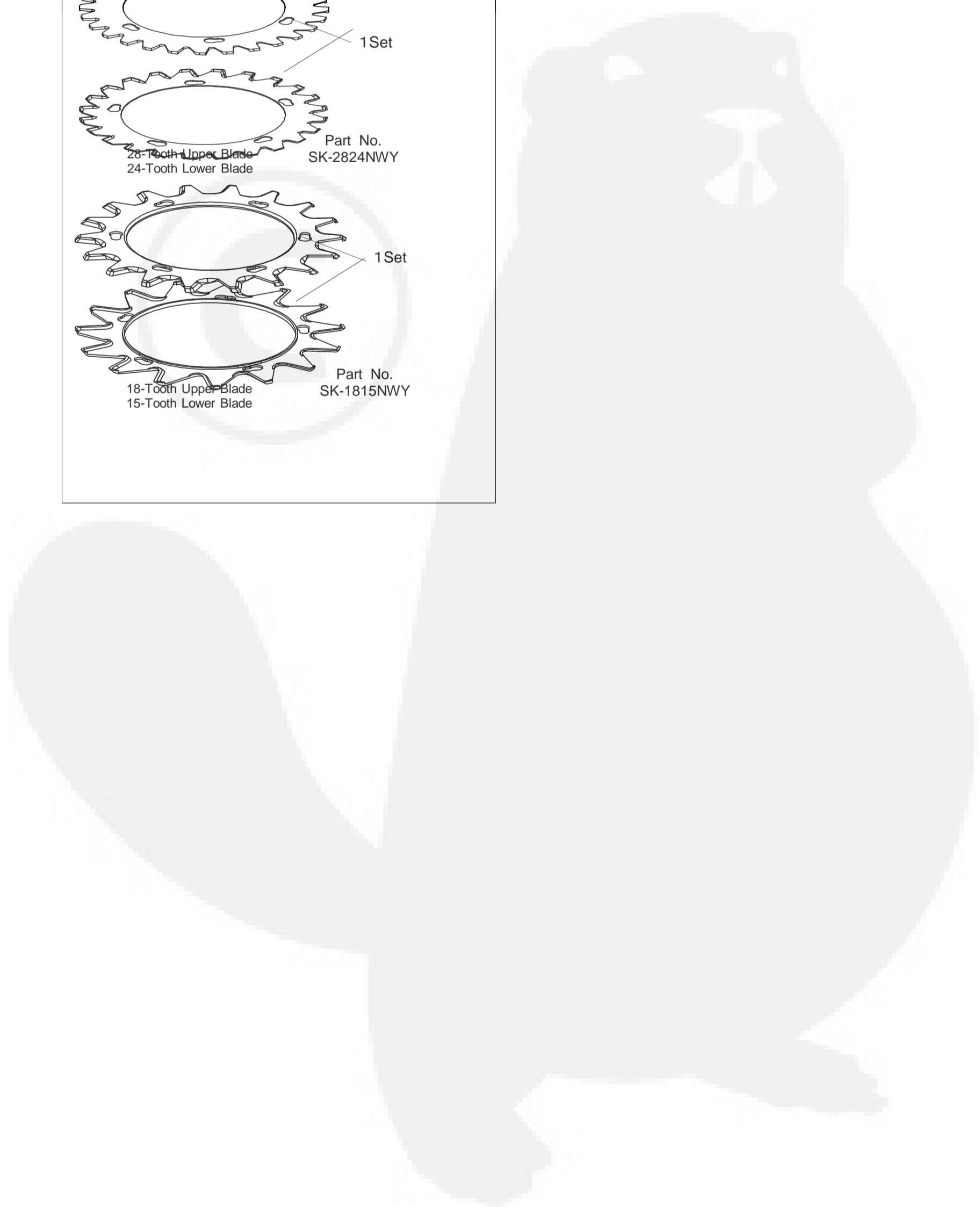
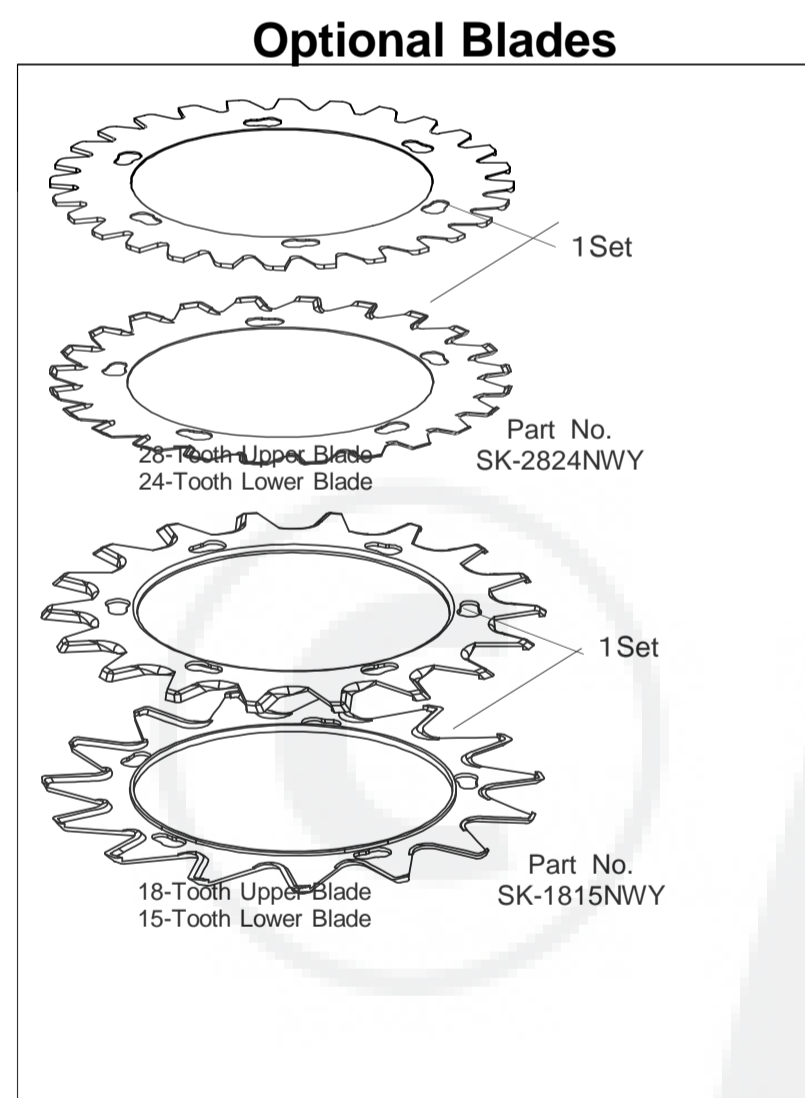
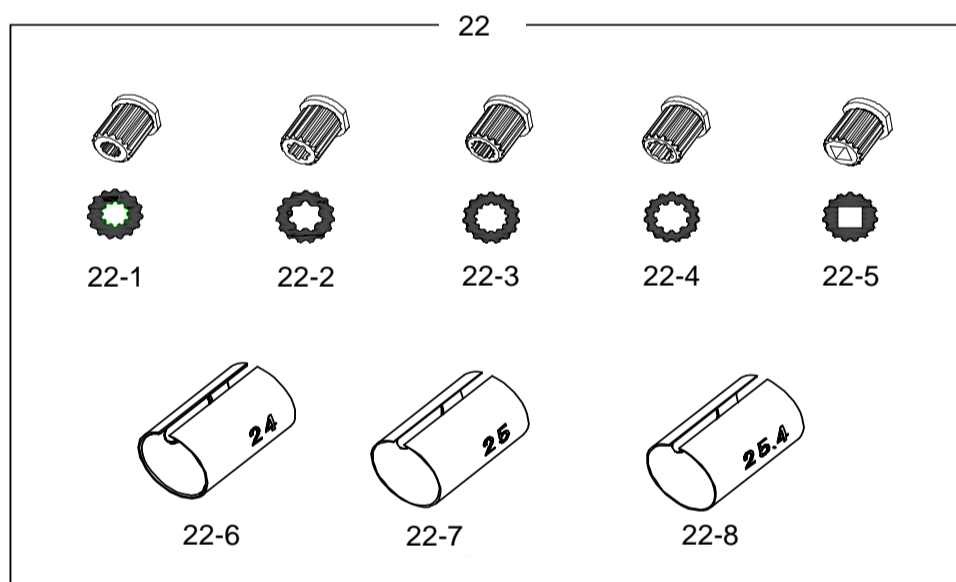
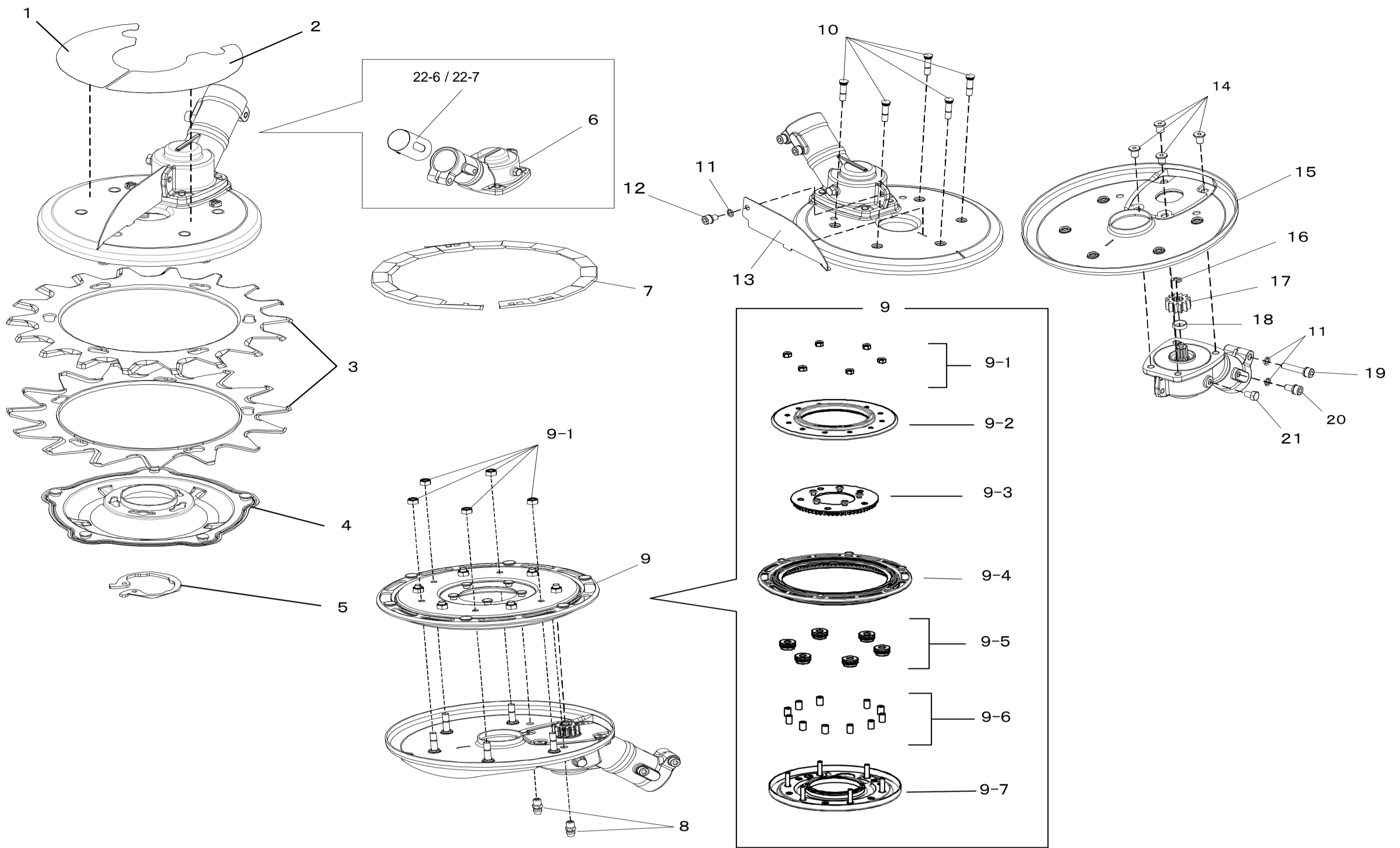


Parts List : PRS-230M

Issued Oct 27, 2017



| Ref No. | Part No. | Part name | Part Quantity |
|---------|------------|-------------------------------|---------------|
| 1 | SKVY-26 | Type Label VY | 1 |
| 2 | SKVY-27 | Caution Label VY | 1 |
| 3 | SK-1815NWY | Upper Blade 18/Lower Blade 15 | 1Set |
| 4 | SKNW-19 | Bottom Disk | 1 |
| 5 | SKN-22 | Bottom Disk Fixing Bracket | 1 |
| 6 | SKR-06AJ | Gear Case AJR | 1 |
| 7 | SKAN-21 | Blade Protection Cover | 1 |
| 8 | SKR-37 | Grease Nipple M6×P1.0 | 2 |
| 9 | SKV-11 | Gear Unit V | 1 |
| 9-1 | SKR-27 | U-Nut M5 | 11 |
| 9-2 | SKV-28 | Lower Oil Case V Assy | 1 |
| 9-3 | SKV-31 | Sun Gear V Assy | 1 |
| 9-4 | SKRA-32 | Outer Gear RA Assy | 1 |
| 9-5 | SKV-33 | Free Roller C | 6 |
| 9-6 | SKRA-34 | Spacer RA | 11 |
| 9-7 | SKV-35 | Upper Oil Case V Assy | 1 |
| 10 | SKR-36 | Stud Screw M5×18 | 5 |
| 11 | SKAN-04 | Spring Washer M5 | 3 |
| 12 | SKAN-05 | Cap Screw M5×8 | 1 |
| 13 | SKR-07 | Stabilizer | 1 |
| 14 | SKR-10 | Low Head Cap Screw M6×8 | 4 |
| 15 | SKR-38 | Body Case + Rubber Seal | 1 |
| 16 | SKR-13 | E-Ring 4 | 1 |
| 17 | SKAN-14 | Drive Pinion Gear | 1 |
| 18 | SKR-15 | Output Shaft Spacer | 1 |
| 19 | SKAN-02 | Cap Screw M5×25 | 1 |
| 20 | SKAN-01 | Fit Screw M5×12 | 1 |
| 21 | SKAN-03 | Hex Screw M5×6 | 1 |
| 22 | TKWA-01 | Mounting Kit | 1 |
| 22-1 | TKA-01 | Adapter 6-10 | 1 |
| 22-2 | TKA-02 | Adapter 7-7 | 1 |
| 22-3 | TKA-03 | Adapter 7-13 | 1 |
| 22-4 | TKA-04 | Adapter 8-9 | 1 |
| 22-5 | TKA-05 | Adapter SQ | 1 |
| 22-6 | TKS-24 | Sleeve φ24 | 1 |
| 22-7 | TKS-25 | Sleeve φ25 | 1 |
| 22-8 | TKS-254 | Sleeve φ25.4 | 1 |
| OPTION | SKV-40 | Protector | 1 |
| OPTION | SK-2824NWY | Upper Blade 28/Lower Blade 24 | 1Set |
| OPTION | SK-2118VWY | Upper Blade 21/Lower Blade 18 | 1Set |

